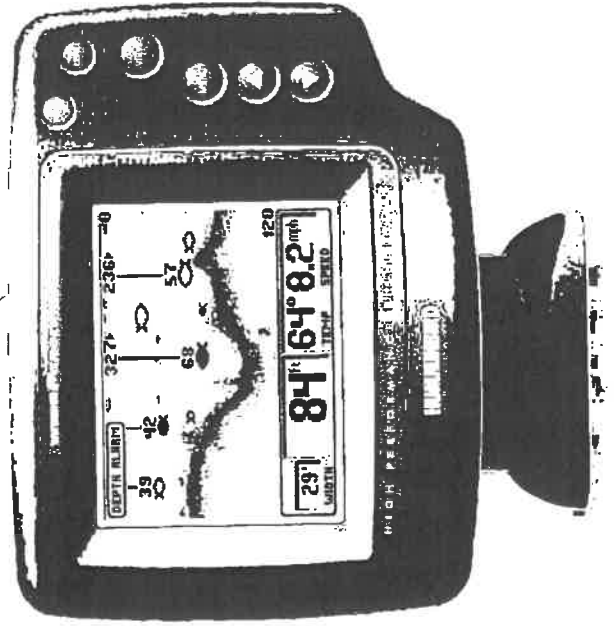
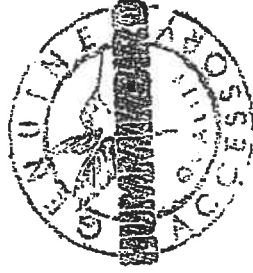


**WIDE** Panorama

Operations Manual



**HUMMINBIRD**

**WIDE**

*fish wide open!*

## THANK YOU

Thank you for choosing Humminbird, America's #1 name in fishfinders. Humminbird has built its reputation by designing and manufacturing top-quality, thoroughly reliable marine equipment. Your Humminbird is designed for trouble-free use in even the harshest marine environment.

In the unlikely event that your Humminbird does require repairs, we offer an exclusive Service Guarantee - free of charge during the first year after purchase, and available at a reasonable rate after the one-year period. Complete details are included at the end of this manual.

We encourage you to read this operations manual carefully in order to get full benefit from all the features and uses of your Humminbird product. Also, to register your purchase and help us learn more about you, please fill out the warranty registration card at the back of this manual.

***WARNING! This device should not be used as a navigational aid to prevent collision, grounding, boat damage, or personal injury. When the boat is moving, water depth may change too quickly to allow time for you to react. Always operate the boat at very slow speeds if you suspect shallow water or submerged objects.***

## CUSTOMER SUPPORT

If you have any questions, call our toll free Humminbird Customer Support Hotline:

1-800-633-1468

Throughout the U.S. and Canada, hours are Monday-Friday, 8:00 a.m. to 5:00 p.m. Central time.

If, after reading "Troubleshooting" you determine your unit needs factory service, please attach a description of the problem and send it with the unit to the address below.

If you are including a check, please attach it to the unit.

Humminbird  
Service Department  
Three Humminbird Lane  
Eufaula, AL 36027

## MAINTENANCE AND WARRANTY SPECIFICATIONS

Operating Frequency	. . . . .	.200/455 kHz
Power Output (200 kHz)	. . . . .	.300 Watts (RMS)
	. . . . .	.2400 Watts (Peak to Peak)
Power Output (455 kHz)	. . . . .	.300 Watts (RMS)
	. . . . .	.2400 Watts (Peak to Peak)
Area of Coverage	. . . . .	90° & 20° at -10 db
Power Requirement	. . . . .	.10 - 16 VDC
Display	. . . . .	Film Super Twist LCD
LCD Matrix	. . . . .	.136 x 160
Viewing Area	. . . . .	.3.00" H x 4.00" V
Mounting	. . . . .	Quick Disconnect Mount
Unit Size	. . . . .	.7 5/8"H x 7 7/8"W x 4 3/8"D
Transducer (Standard)	. . . . .	.XT-6-TB-90
Transducer Cable Length	. . . . .	. . . . . .20'
Depth Ranges	. . . . .	.15', 30', 60', 120' 180', . . . . .
	. . . . .	.240', 360', 480', 600' & 1000'
Zoom Ranges:	. . . . .	.7 1/2', 15', 30', 45', 60', . . . . .
	. . . . .	.90', 120', 150, and 250'.

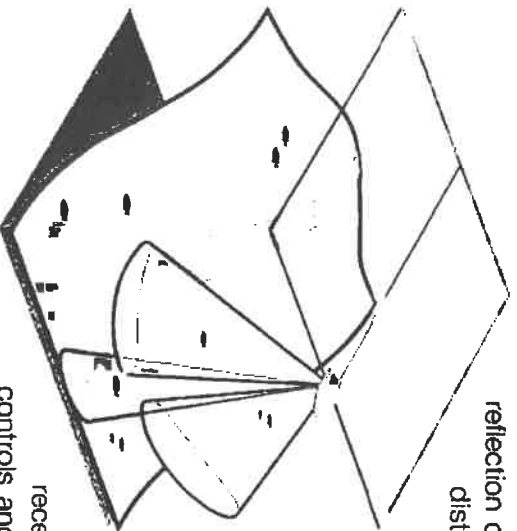
## TABLE OF CONTENTS

<b>Section 1: GENERAL INFORMATION</b>	. . . . .	2
How Sonar Works	. . . . .	2
Transducer Exchange	. . . . .	5
Available Accessories	. . . . .	7
<b>Section 2: INSTALLATION</b>	. . . . .	8
Parts Supplied	. . . . .	8
Transducer Installation	. . . . .	9
Transom Mounting	. . . . .	10
Inside The Hull Mounting	. . . . .	21
Installing the Wide Panorama	. . . . .	25
Testing the Installation	. . . . .	32
<b>Section 3: USING THE WIDE PANORAMA</b>	. . . . .	34
Simulator Operation	. . . . .	34
Feature Memory	. . . . .	36
What You See On Screen	. . . . .	36
Interpreting The On Screen Information	. . . . .	40
Control Functions	. . . . .	44
Menu Functions	. . . . .	51
<b>Section 4: ADVANCED FEATURES</b>	. . . . .	74
Using Diagnostic	. . . . .	74
Using Alternative Transducers	. . . . .	79
Wide Side Operation	. . . . .	79
<b>Section 5: MAINTENANCE AND WARRANTY</b>	. . . . .	82
Maintenance	. . . . .	82
Troubleshooting	. . . . .	83
Warranty	. . . . .	89
Service Policy	. . . . .	90
Specifications	. . . . .	-

## GENERAL INFORMATION

### HOW SONAR WORKS

#### HOW SONAR WORKS



Sonar uses sound waves to determine the presence and location of underwater objects. The time measured between the transmission of the sound wave and the reception of any reflection can be used to determine distance. Analysis of the reflected signal can also be used to determine location, size, composition, etc.

Humminbird products consist of two primary components: the sonar unit and the transducer. The sonar unit contains the transmitter and receiver, as well as the user controls and display. The transducer is mounted beneath the water surface and converts electrical energy from the transmitter into mechanical pulses or sound waves. The transducer also receives the reflected sound waves and converts them back into electrical signals for display on the sonar unit.

The transmit and receive cycle is very fast. A sound wave can travel from the surface to a depth of 240' and back again in less than 1/4 of

## MAINTENANCE AND WARRANTY

### SERVICE POLICY

After the original warranty period, a standard flat rate service charge will be assessed for each repair (physical damage and missing parts are not included). Please call our Customer Support Department to verify the service charge for your unit. The standard service charge includes UPS or Parcel Post freight only. If charges are not prepaid, the unit will be returned C.O.D. If you are experiencing problems related to bottom or depth readings, please send your transducer along with your unit when sending for repair.

The Humminbird Customer Support Toll-Free number and address are listed inside the rear manual cover.

## **MAINTENANCE AND WARRANTY SERVICE POLICY**

### **SERVICE POLICY**

*This Service Policy is valid in the United States only. This applies to Humminbird units returned to our factory in Eufaula, Alabama, and is subject to change without notice.*

All repair work is performed by factory-trained technicians to meet exacting factory specifications. Factory serviced units go through the same rigorous testing and quality control inspection as new production units.

Even though you'll probably never need to take advantage of our incredible service guarantee, it's good to know that we back our units this well. We do it because you deserve the best. We will make every effort to repair your unit within three working days from the receipt of your unit. This does not include shipping time to and from our factory. Units received on Friday are usually shipped by Wednesday, units received Monday are usually shipped by Thursday, etc.

We reserve the right to deem any product unserviceable when replacement parts are no longer reasonably available or impossible to obtain.

## **GENERAL INFORMATION HOW SONAR WORKS**

A number of variables affect the nature of information which can be derived from the sonar return. Sonar signals generated at a higher frequency have the advantage of greatly increased sonar resolution, however, the distance (depth) a high-frequency signal can travel is relatively short. A low frequency signal can travel great distances, but provides poor sonar resolution.

The shape of the transmitted sonar signal greatly affects the information available as well. A wide beam has a large area of coverage but poor resolution of detail. A narrow beam has excellent detail, but within a limited area of coverage.

The Wide Panorama is a dual frequency, Tri-beam fishfinder. This means that there are three separate sonar signals generated—each optimized for a particular purpose. The center beam is transmitted at a frequency of 200 kHz in a 20 degree (narrow) symmetrical pattern for greater depth capability and excellent detail. Information from this center beam is used to draw the graphic representation of the bottom on the display.

**NOTE: Actual depth capability depends on such factors as bottom hardness, water conditions, and transducer installation. Units will typically read to deeper depths in fresh water than in salt water.**

## **GENERAL INFORMATION**

### **HOW SONAR WORKS**

The left and right beams are generated at 455 KHz for increased sonar resolution and are shaped in an elliptical pattern for greater area of coverage. Information from these two beams in conjunction with the center beam is used to accurately detect the presence and location of fish.

The combination of the three beams and dual frequencies provides the best possible combination of a large area of coverage and a high level of detail.

After spending a few minutes with your Wide Panorama on the water, you will be confident in the unit's ability to accurately portray the underwater terrain and suspended targets.

## **MAINTENANCE AND WARRANTY**

### **WARRANTY**

#### **HUMMINBIRD ONE YEAR FULL WARRANTY**

First year repairs (from original date of purchase) on your Wide Panorama unit will be made absolutely free. This does not include physical damage to the unit or its accessory items. Any modification or attempt to repair the original equipment or accessories by unauthorized individuals will void the warranty. Return the warranty registration card and retain your bill of sale for warranty verification. Accessories not manufactured under the Humminbird trade name are not covered by our warranty. The customer is responsible for shipping charges to Humminbird. Humminbird will provide ground UPS or Parcel Post shipping back to the customer free of charge. This warranty applies to the original purchaser only.

This warranty is in lieu of all other warranties expressed or implied and no representatives or persons are authorized to provide for any other liability in connection with the sale of our products. Humminbird reserves the right to perform modifications or improvements on its products without incurring the obligation to install the changes on units previously manufactured, sold, delivered, or serviced.

**THIS IS A FULL WARRANTY AS DEFINED BY THE FEDERAL WARRANTY ACT, EFFECTIVE JULY 4, 1975.**

## **MAINTENANCE AND WARRANTY TROUBLESHOOTING**

9. The display shows many black dots at high speeds and high sensitivity settings.

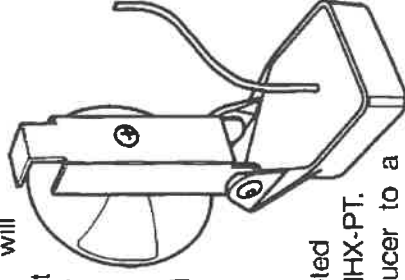
You are seeing noise or interference caused by one of several sources. Noise can be caused by other electronic devices. Turn off any nearby electronics and see if the problem goes away. Noise can also be caused by the engine. If engine noise is causing the interference, the problem will intensify at higher RPMs. Increase the engine speed with the boat stationary to isolate this cause. Propeller cavitation can appear as noise on-screen. If the transducer is mounted too close to the propeller, the turbulence generated can interfere with the sonar signal. Ensure that the transducer is mounted at least 15" from the prop.

## **GENERAL INFORMATION TRANSDUCER EXCHANGE**

### **TRANSDUCER EXCHANGE**

Your Wide Panorama comes with everything necessary for installation and operation on most boats. The transducer included, XT-6-TB-90, is designed to be mounted on the transom of the boat (directly exposed to the water). On fiberglass hull boats, this same transducer can be bonded to the inside of the hull. When mounted inside the hull, the sonar signal actually passes through the hull of the boat. One of these two mounting techniques will produce acceptable results on most boats. There are, however, several situations which may demand a different type of transducer. Inboard boats, wood or metal hulls, and sail boats create unique transducer mounting needs.

The standard transducer can be adapted for portable installations using the MHX-PT. This accessory adapts your transducer to a suction cup mount for temporary installation on the boat hull or other surface.



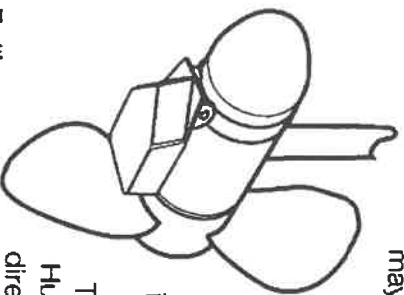
**Portable  
Mounting**

## GENERAL INFORMATION

### TRANSDUCER EXCHANGE

The standard transducer can also be adapted to mount on most trolling motors using the AD-STM7. This accessory includes a bracket and hose clamp which allows mounting the transducer to the body of most trolling motors.

Other transducers are available as direct replacements for the standard transducer. You may exchange your new and unused transducer for another type by returning it to the address on the inside of the rear cover of this manual. Some transducers may have additional costs. Refer to the Accessory catalog or call Customer Support for information on accessory transducers.



Trolling  
Motor  
Mounting

The Wide Side transducer listed in the Humminbird Accessory Catalog is not a direct replacement for the standard transducer, but a specific purpose "side-looking" transducer that mounts on the trolling motor or transom. The Wide Side transducer can either be connected directly to the Wide Panorama, or used with a transducer switch in conjunction with the standard transducer.

## MAINTENANCE AND WARRANTY

### TROUBLESHOOTING

6. I get gaps in the reading at high speeds.

Your transducer requires adjustment. If the transducer is transom-mounted, there are two adjustments available to you—height, and running angle. Refer to Transducer Installation, make small adjustments and run the boat at high speeds to determine the effect. It may take several tries to optimize high speed operation. This can also be a result of air or turbulence in the transducer location caused by rivets, ribs, etc.

7. My unit loses power at high speeds.

Your Wide Panorama has an over-voltage protection which turns the unit off when input voltage exceeds 16 VDC. Some outboard motors do not effectively regulate the power output of the engine's alternator and can produce voltage in excess of 16 volts when running at high RPMs. The Wide Panorama can display input voltage both in the Diagnostic screen and in Triplog. Use one of these readouts to determine if the voltage exceeds 16 VDC.

8. The screen begins to fade out. Images are not as sharp as normal.

Check the input voltage using Triplog or Diagnostic. The Wide Panorama will not operate



## **MAINTENANCE AND WARRANTY TROUBLESHOOTING**

display the bottom. Also, in very deep water, it may be necessary to manually increase the sensitivity setting to maintain a graphic depiction of the bottom (See Control Functions).

Another common cause for this complaint is incorrect transducer selection. If you are using a transducer other than the Tri-beam transducer supplied with your unit, a manual selection of the transducer type may be needed (See Control Functions). Use Diagnostic to ensure that a transducer is detected. If you are using two transducers in conjunction with a switch, ensure that the switch is in the proper position for the identified transducer.

**4. When in very shallow water, I get gaps in the bottom reading and inconsistent digital depth indication.**

The Wide Panorama will work reliably in water 2' or deeper. The depth is measured from the transducer, not necessarily from the surface.

**5. The unit comes on before I press POWER, and won't turn off.**

Check the transducer cable—if the outer jacket of the cable has been cut and the cable is in contact with bare metal, you will need to repair the cut with electrical tape. If no problem is found with the cable, disconnect the transducer from the

## **GENERAL INFORMATION AVAILABLE ACCESSORIES**

The Wide Side transducer is ideal for locating fish at great distances on either side of your boat. Refer to "Using Alternative Transducers" for more details.

### **AVAILABLE ACCESSORIES**

Humminbird offers a wide assortment of accessories which complement and expand the capability of your new Wide Panorama. These accessories are designed with the same high standards and are backed by the same one-year warranty. The Humminbird Accessory Catalog included with your unit contains descriptions of the many accessories available and ordering information. All Humminbird accessories are available through your full-service Humminbird dealer or factory direct through our toll-free number listed on the back cover of this manual.

## **INSTALLATION**

### **PARTS SUPPLIED**

## **MAINTENANCE AND WARRANTY**

### **TROUBLESHOOTING**

### **PARTS SUPPLIED**

Before installing your Wide Panorama, please ensure that the following parts are included in the box:

- Wide Panorama fishfinder
- Transducer with 20' of cable
- Combination speed/temp sensor
- Mounting system
- 6' power cable
- Transducer mounting hardware kit
- Fishfinder mounting hardware kit
- Publications kit

If any of these items is missing, call our toll-free Customer Support Hotline.

In addition to the parts supplied with your Humminbird, you will need the following for installation and operation:

- A powered hand drill and various drill bits
- Phillips and flat-head screw drivers
- A ruler or measuring tape
- Pen or pencil
- 12 volt power source (your boat's battery)
- A 1-amp fuse
- A fuse holder (if you are wiring directly to the boat's battery)
- Silicone sealant (for sealing drilled holes)
- 2-part, slow-cure epoxy (for inside the

2. There is no transducer detected.

The Wide Panorama has the ability to detect and identify that a transducer is connected. If, at power up, a message indicates "transducer not connected", the unit will default to simulator mode. First, ensure that an appropriate transducer connector is positioned correctly in the connector holder, and that the unit is fully seated on the mount. (See installing the Wide Panorama). The Wide Panorama will work with the standard Tri-beam transducer or with a Wide Slide transducer.

Second, inspect the transducer cable from end to end for breaks, kinks, or cuts in the outer casing of the cable. Also ensure the transducer is fully submerged in water. If the transducer is connected to the unit through a switch, temporarily connect it directly to the unit and try again. If none of these items identifies an obvious problem, the transducer itself is probably the problem. Be sure to include the transducer if returning the unit for repair.

3. There is no bottom reading visible on the display.

There are a number of possible causes for this condition. If the loss of bottom information occurs only at high boat speeds, then a transducer adjustment is needed (refer to Transducer

## **MAINTENANCE AND WARRANTY TROUBLESHOOTING**

## **INSTALLATION TRANSDUCER INSTALLATION**

### **1. Nothing happens when I turn the unit on.**

Check the power cable connection at both ends. Be sure that the cable is connected correctly to a reliable power source—red lead to positive, black lead to negative or ground. Ensure that the power available at the mount is between 10 and 16 VDC. If the unit is wired through a fuse panel, ensure that the panel is powered. Often accessory fuse panels are controlled by a separate switch or the ignition switch. Also, often a fuse can appear to be good when in fact it is not. Check the fuse with a tester or replace it with a fuse known to be good.

Check the power connection to the Wide Panorama. It is possible to force the power cable connector into the cable holder incorrectly. If the connector is reversed, the unit will not work. Examine the contacts on the back of the unit to ensure that there is no corrosion. Finally, ensure that the unit is firmly seated on the mount. The electrical contacts are not made until the unit is fully seated.

Ensure that the metal cable retainer is properly installed in the mount. If not, the power connector may push out when the unit is put on the mount.

### **TRANSDUCER INSTALLATION**

Proper mounting of the transducer is essential for consistent operation of your Wide Panorama. Due to the wide variety of boat hulls being produced, only general instructions are given for transducer installation. Each boat hull represents a unique set of requirements which should be evaluated prior to installation.

Your Wide Panorama includes an XT-6-TB-90 transducer. This transducer can either be mounted on the transom of the boat, or bonded to the inside of a fiberglass-hull boat.

The transom mount installation places the transducer on the outside of the boat hull. This technique provides the least signal loss, and provides a means for adjustment after installation. The mounting hardware included is designed to protect both the boat and the transducer should the boat strike debris in the water or when trailering. Refer to "transom mounting" for detailed installation instructions.

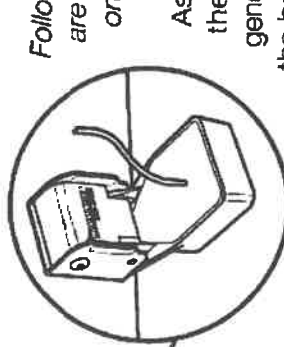
It is possible on many fiberglass-hulled boats to mount the transducer on the inside of the boat hull. Since fiberglass has similar sonar characteristics as water, the sonar signal can pass through the boat hull with minimal loss. The hull of the boat must be single layer construction (not double-hulled). Also, any air trapped in the

## INSTALLATION TRANSDUCER INSTALLATION

Inside the hull installations require no holes to be drilled into the boat and through experimentation, high-speed operation comparable to transom-mounting can be achieved.

### **Transom Mounting**

#### **Determining the Proper Location**



*Follow the steps below if you are mounting the transducer on the transom.*

As a boat moves through the water, turbulence is generated by the weight of the boat, and the thrust of the propeller(s). This turbulent water is normally confined to areas immediately aft of ribs, strakes, or rows of rivets on the bottom of the boat, and in the immediate area of the propeller(s). It is very important to locate the transducer in an area which is relatively free of turbulent water. If the prop(s) are forward of the transom, it may be impossible to find an area clear from turbulence, and a different mounting technique should be considered. On outboard or inboard/outboard boats it is best to

## MAINTENANCE AND WARRANTY TROUBLESHOOTING

If your boat remains out of the water for a long period of time, it may take some time to wet the transducer when returned to the water. Small air bubbles can cling to the surface of the transducer and interfere with proper operation. These bubbles will dissipate with time, or you may wipe the face of the transducer with your fingers after the transducer is in the water.

Never leave your Wide Panorama in a closed car or trunk—the extremely high temperatures generated in hot weather can damage the electronics.

### **TROUBLESHOOTING**

Do not attempt to repair the Wide Panorama yourself. There are no user serviceable parts inside, and special tools and techniques are required for reassembly to ensure the waterproof integrity of the housing. Repairs should be performed only by authorized Humminbird technicians.

Many requests for repair received by Humminbird involve units that do not actually need repair. These units are returned “no problem found”. If you have a problem with your Wide Panorama, consult the following troubleshooting guide before calling Customer Support or sending your unit in for repair. The Wide Panorama contains several tools which can aid in determining if there is a problem and how to

## MAINTENANCE AND WARRANTY MAINTENANCE

### MAINTENANCE

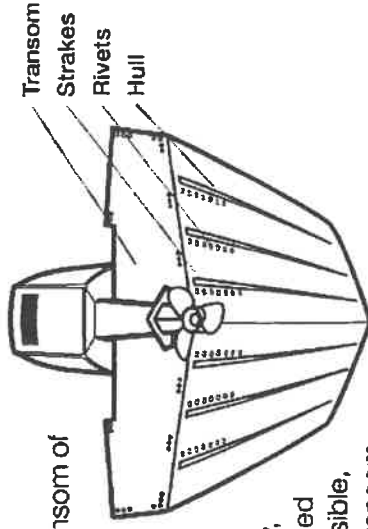
Your Humminbird Wide Panorama fishfinder is designed to provide you with years of trouble-free operation with virtually no maintenance. Follow the simple procedures below to ensure that your Wide Panorama continues to deliver top performance.

If the unit comes into contact with salt spray, simply wipe the affected surfaces with a cloth dampened in fresh water. Do not use a chemical glass cleaner on the lens. Chemicals in the solution may cause cracking in the lens of the unit.

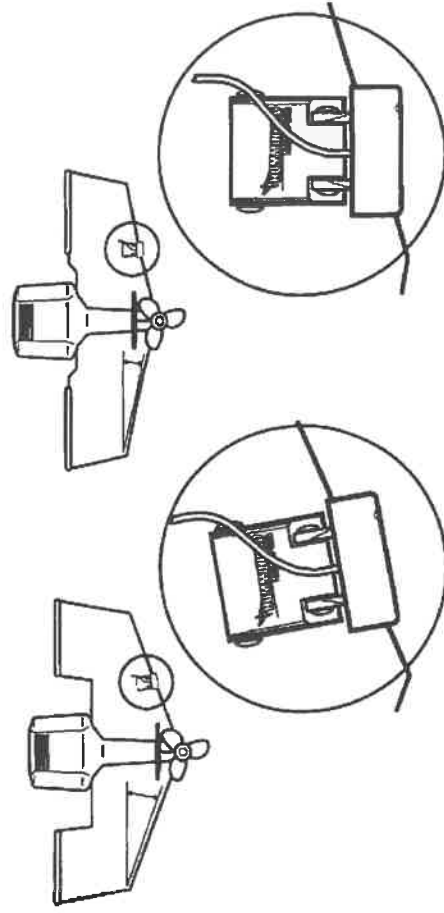
When cleaning the LCD protective lens, use a chamois and non-abrasive, mild cleaner. Do not wipe while dirt or grease is on the lens. Be careful to avoid scratching the lens.

If your boat remains in the water for long periods of time, algae and other marine growth can reduce the effectiveness of the transducer. Periodically clean the face of the transducer with liquid detergent. Pivoting the transducer up in the bracket may allow better access for inspection or cleaning.

## INSTALLATION TRANSDUCER INSTALLATION



If possible, viewing the transom of the boat while the boat is moving will provide the best means of locating clean water. If maximum high-speed operation is a high priority, this is the recommended method. If this is not possible, select a location on the transom where the hull forward of this location is smooth, flat, and free of protrusions or ribs.



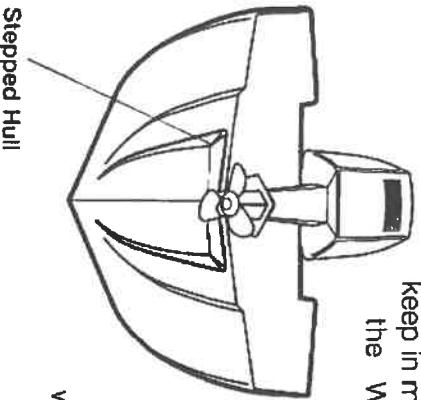
Deadrise greater than 15°

Deadrise less than or equal 15°

Another consideration is the angle of deadrise. The transducer, when mounted, should point straight down. The design of the transducer will

## INSTALLATION TRANSDUCER INSTALLATION

pointed straight down. If the deadrise is greater than about 15 degrees it will be necessary to angle the transducer slightly. While this does not significantly degrade performance, you must keep in mind that the area you are viewing on the Wide Panorama screen may be somewhat to one side of the boat.



On boats with stepped hulls, it may be possible to mount the transducer on the step. Never mount the transducer on the transom behind a step, as this area of the transom will not be in contact with the water at high speed.

### Drilling the Mounting Holes

Once you have identified the location, remove the mounting template from the front of this manual. This template provides a means of ensuring that the deadrise of the transom falls within the allowable limits, and it locates the three mounting holes which must be drilled.

Hold the template on the transom of the boat in the location you have selected. Align the template vertically, ensuring the lower edge of the transom on either side of the template falls within the horizontal lines on the template. If not

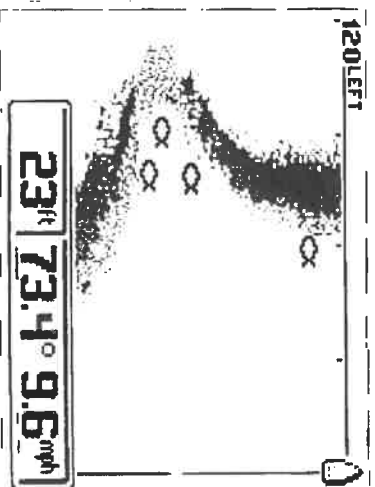
## ADVANCED FEATURES USING ALTERNATIVE TRANSDUCERS

To change the view, simply press the VIEW button repeatedly until the desired view is on-screen. The Down view is similar to the traditional view when using the standard transducer; however, there is no Tri-beam information available such as fish location.

When operating in Wide Side mode, the range must be adjusted manually, since the bottom is often not visible on-screen. Ranges of 15, 30, 60 and 120 feet are available. Also, Zoom is not possible in Wide Side mode, and the Zoom menu is not available.

Experiment with the Wide Side transducer while operating it in a familiar area to learn how to maximize use of the information displayed.

Remember that if you are using a trolling motor mount, the information displayed is controlled by the direction the trolling motor is pointing, not necessarily the direction the boat is traveling.



To return to normal "down" operation using the Tri-beam transducer, simply change the switch setting if you are using a transducer switch, or reconnect the Tri-beam transducer. The Wide Panorama will reconfigure the screen

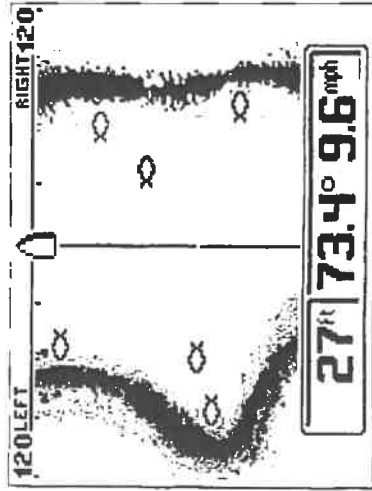
## ADVANCED FEATURES USING ALTERNATIVE TRANSDUCERS

The Wide Side transducer is available as a trolling motor mount, a transom mount, or a portable mount.

**Note:** *The Wide Side transducer can be connected directly to the Wide Panorama or used in conjunction with the standard transducer through a transducer switch. When used with a switch in conjunction with the Tri-Beam transducer, the Wide Panorama recognizes which transducer is connected whenever the switch position is changed.*

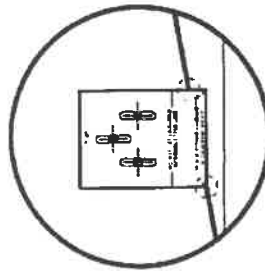
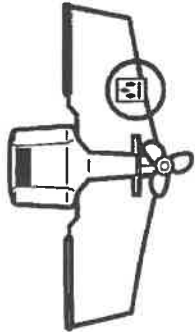
When a Wide Side transducer is connected, the screen display changes to display the information from the side-looking elements. There are four basic views available when the Wide Side transducer is in use: both, left, right, and down. These views are controlled by the VIEW button. The default view is both, in which information from both the left and right elements are displayed on-screen. The digital depth of the water beneath your boat is always present.

Viewing both left and right sides simultaneously gives you an excellent tool when searching for bait

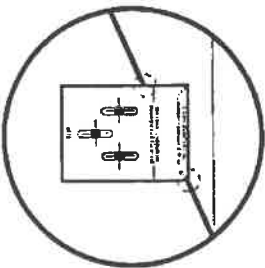


## INSTALLATION TRANSDUCER INSTALLATION

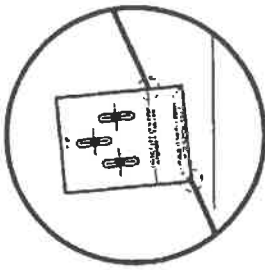
tilt the template slightly so that the lower edge of the transom on both sides of the template falls within the allowable range.



Acceptable deadrise for straight mounting



Excessive deadrise for straight mounting



Template angled to keep deadrise in acceptable range

Using a pencil or punch, mark the three mounting holes onto the transom.

Using a 5/32" bit, drill the three holes to a depth of approximately 1". On fiberglass hulls, it is best to start with a smaller bit and use progressively larger drill bits to reduce the chance of chipping or flaking the outer coating.

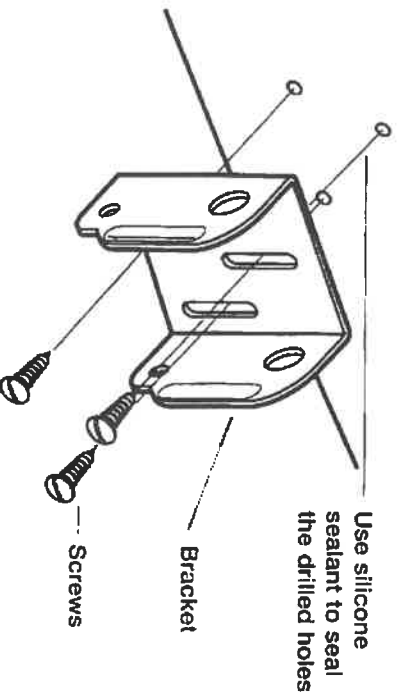
## **INSTALLATION**

### **TRANSDUCER INSTALLATION**

#### ***Mounting the Metal Bracket***

Use a silicone sealant to fill the drilled holes, especially if the holes penetrated the transom wall.

Align the metal mounting bracket with the mounting holes. The bracket should be positioned so that the center slot is above the outer two slots. (This bracket and all other hardware supplied is top quality stainless steel for maximum strength and corrosion protection). Thread the three wood screws into the drilled holes, but do not completely tighten.



## **ADVANCED FEATURES**

### **USING ALTERNATIVE TRANSDUCERS**

#### ***USING ALTERNATIVE TRANSDUCERS***

The Wide Panorama is designed to operate with the Tri-Beam transducer included standard with the product. The standard transducer can be mounted on the transom of the boat, or bonded to the inside of most fiberglass hulls. Tri-beam transducers are also available in trolling motor mounts, portable mounts, and bronze thru-hull type mounts.

The Wide Panorama also has the ability to work with the Wide Side transducer. See Available Accessories for selection of the transducer.

#### ***Wide Side Operation***

The Wide Side transducer is a specialized "side-looking" transducer which is extremely useful for bank fishing or looking for bait fish in open water. The Wide Side transducer uses three different sonar elements which transmit signals to the left, right, and straight down from your boat. The downward beam is 200 kHz with a 24 degree area of coverage. This beam maintains a continuous digital depth readout from the bottom directly beneath your boat. The side beams are 455 kHz with a 16 degree area of coverage. The side-looking elements can be used independently or together to locate targets near the surface of the water on either side of your boat.



## ADVANCED FEATURES USING DIAGNOSTIC

With the boat stationary over a flat, consistent bottom, the sonar returns from the left and right beams should be identical. Any discrepancy between these signals may indicate a problem with the location of the transducer. (Often voids or irregularities in the laminated hull of a fiberglass boat will block or degrade one or more of the sonar signals.)

By referring to this screen prior to permanently mounting a through-the-hull transducer, the location can be adjusted until no visible loss is observed.

The diagram of the center beam cannot be compared to the left and right beams as this beam is a different frequency and beam width. The diagram is useful in ensuring that the center beam is present and of sufficient strength.

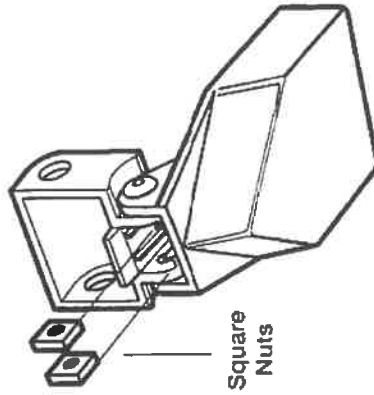
The depth of the water beneath the boat is shown for each of the three beams. In operation, only the center beam is used to display this depth, however, the depth number is another means of comparison.

When in diagnostic, two menus are available to the user: Depth Range, and Diagnostic. The Depth Range menu can be used normally to control the range of information displayed in the Diagnostic diagrams. The Diagnostic menu is used to exit the Diagnostic function and return

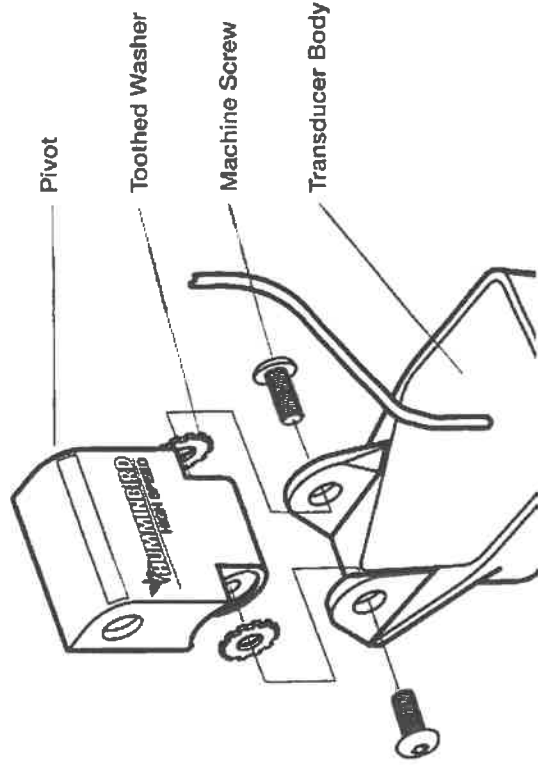
## INSTALLATION TRANSDUCER INSTALLATION

### Assembling the Transducer Body

Attach the Pivot to the transducer body, as shown in the illustration below, using the two 1/4"-20 x 5/8" machine screws, toothed washers, and square nuts. The toothed washers must fit on the inside of the transducer ears, between the pivot and the ears. The square nuts are prevented from rotating by the pocket in the back of the pivot.



Loosely tighten the 1/4"-20 screws with the Allen wrench (provided) so that the pivot angle can be adjusted.



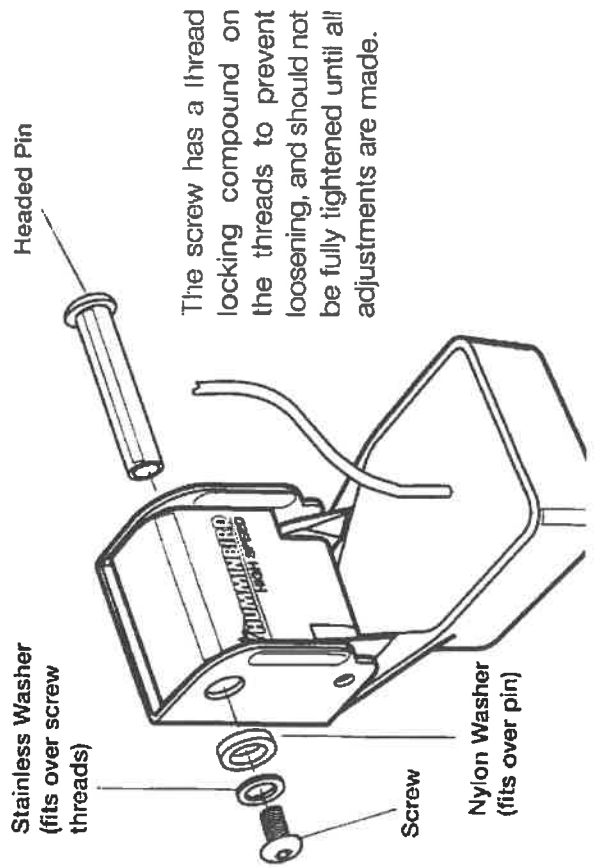
## INSTALLATION TRANSDUCER INSTALLATION

### Installing The Transducer Body To The Boat

Slide the assembled transducer into the metal bracket from the bottom, aligning the large hole at the top of the bracket with the hole in the pivot.

Insert the pin through the pivot holes in the bracket and pivot. The headed pin can be inserted from either side of the bracket.

Place the nylon washer over the opposite end of the headed pin. Place the stainless washer over the 1/4"-20 x 3/8" screw threads and insert into the opposite end of the pin and finger tighten only.

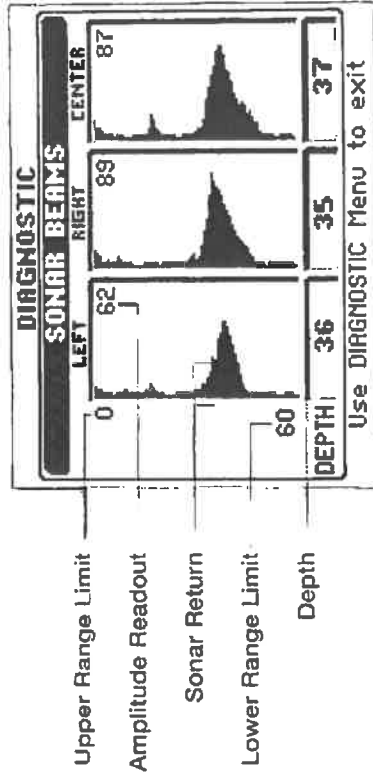


The screw has a thread locking compound on the threads to prevent loosening, and should not be fully tightened until all adjustments are made.

## ADVANCED FEATURES USING DIAGNOSTIC

The second Diagnostic screen provides valuable information about the sonar function of the Wide Panorama. The three columns of information show the raw sonar signal as it is seen by the unit.

This information is useful in both troubleshooting a potential fault, as well as aiding in the transducer installation (for through the hull installations only).



The sonar diagrams indicate the returned signal of each sonar pulse transmission. By analyzing these diagrams, the user can gain additional insight into the performance of the unit.

The diagrams show time delay (distance) on the vertical axis, and amplitude or strength of return on the horizontal axis. An "amplitude" number shows the relative strength of each return signal. The depth number shows the depth of water beneath the boat as measured by each of the three beams.

## ADVANCED FEATURES USING DIAGNOSTIC

The voltage input category is especially helpful in diagnosing input voltage problems. The current input voltage will be displayed. If voltage fluctuates or power supply in excess of 16 VDC or less than 10 VDC is suspected, use the diagnostic screen to confirm input voltage. Often, small outboard motors do not effectively regulate voltage when operated at high engine speeds. Use Diagnostic while running the boat at high speeds to show the voltage gain. Also, if you are using the Wide Panorama in portable configuration or from the trolling motor battery, Diagnostic can be used to evaluate the health of the battery by showing the current voltage.

The total time category indicates the total time the unit has been in use since shipped from the factory.

**Note:** *It is normal for some hours to be indicated in the total time when the unit is new due to factory testing.*

While this is often of interest to the user, it is primarily a diagnostic tool for the repair technician should service be required.

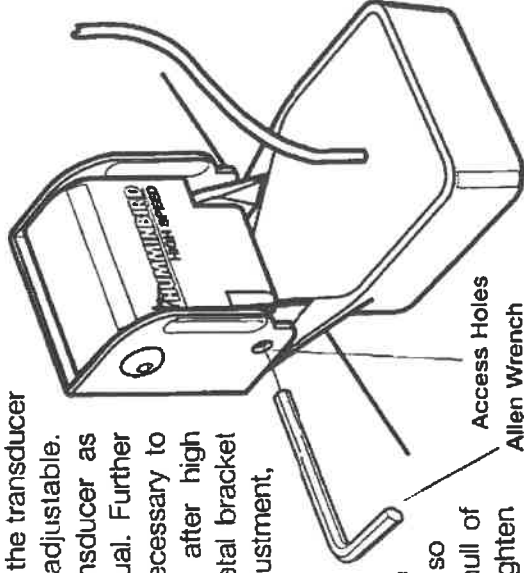
Press VIEW to access additional Diagnostic information.

## INSTALLATION TRANSDUCER INSTALLATION

### Adjusting The Running Position Of The Transducer

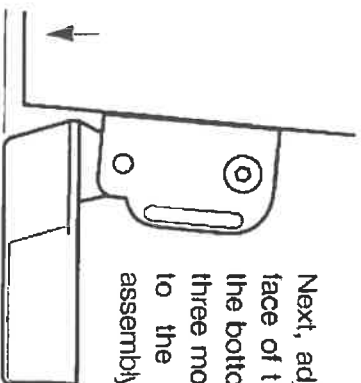
The running position of the transducer is now completely adjustable. Initially, adjust the transducer as described in this manual. Further adjustment may be necessary to tweak the installation after high speed testing. The metal bracket allows height and tilt adjustment, the pivot screws allow angular adjustment.

Adjust the angle of the transducer body first, so it is parallel with the hull of the boat, and fully tighten the two pivot screws using the supplied Allen wrench. Access to the pivot screws is provided by the lower holes in the side of the mounting bracket.



**Note:** *On some hulls, it may be necessary to angle the transducer so that the back end is 1/4" lower than the front.*

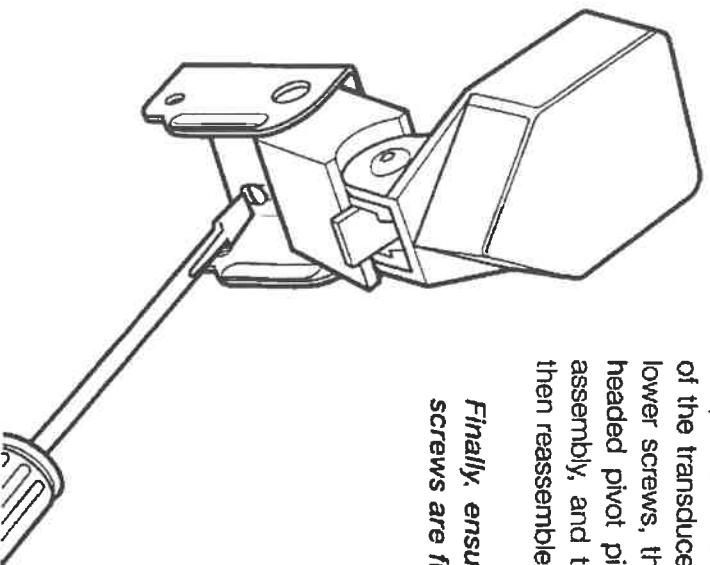
## INSTALLATION TRANSDUCER INSTALLATION



Next, adjust the height of the assembly so the face of the transducer is 1/8" to 1/4" beneath the bottom of the transom, and fully tighten the three mounting screws. In order to gain access to the mounting screws, the transducer assembly must be pivoted up in the bracket as shown. Be careful not to alter the running angle as some force is necessary to pivot the assembly.

If access to the top mounting hole is not possible due to the selected height of the transducer, fully tighten the two lower screws, then simply remove the headed pivot pin and the transducer assembly, and tighten the top screw, then reassemble.

**Finally, ensure that all mounting screws are fully tightened.**



## ADVANCED FEATURES USING DIAGNOSTIC

inner circuitry if the input voltage exceeds 16 VDC or is less than 10 VDC. If either of these conditions cause the unit to shut down, a message will indicate this.

**NOTE: Powering the unit off will reset these messages.**

The right side of the Diagnostic screen evaluates external connections to the unit. The first category is Transducer input. If a Tri-beam transducer is detected, the message will indicate "Tri-beam". (If a transducer other than Tri-beam is detected, the message will indicate "Connected"). This is an excellent way to confirm transducer connection. If a transducer is connected directly to the unit, the connection will be indicated here. If a switch is used, use Diagnostic to confirm the connections from each transducer. If a series of dashed lines is shown, then no transducer is connected or there is a problem with the transducer or cable.

The next categories indicate the connection of boat speed sensor and surface water temperature sensor. These accessory sensors can be purchased independently or together as a single sensor (see Available Accessories). If the sensors are connected and working properly, a "connected" message will appear.

**Note: The speed sensor can only be detected when the boat is in motion as the paddle**

## ADVANCED FEATURES USING DIAGNOSTIC

### USING DIAGNOSTIC

The Wide Panorama contains a powerful diagnostic tool which can aid in determining the cause of a problem. To enable Diagnostic, power the unit on and use the DOWN ARROW button to highlight the Diagnostic option on the initial screen. Diagnostic can only be accessed at power-up.

After the menu times out, the diagnostic screen will appear. Upon enabling diagnostic, the Wide

Panorama will perform a self-test. This test confirms the operation of all internal circuitry. At the conclusion of the test, one of two messages will appear on the left side of the screen; "passed" indicates that the internal test discovered no failures. "Failed" indicates that a significant internal problem was discovered and the unit will require factory service. In conjunction with the failed indication will be a code which indicates to the repair personnel where the problem is.

Even if the self-test is passed, other messages may be present to indicate an abnormal situation. Examples of these are high-voltage and low-voltage shut down indications. The Wide

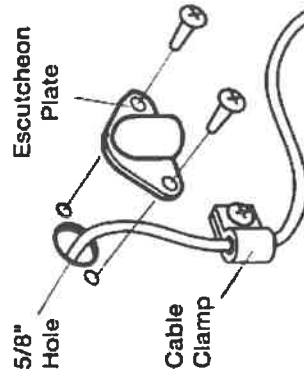
DIAGNOSTIC	
SELF TEST	TRANSDUCER
Passed	Tri-beam
	SPEED
	Connected
	TEMPERATURE
	Connected
VOLTS	TOTAL TIME
12.0 v	5 hrs
Press VIEW for next screen	

## INSTALLATION TRANSDUCER INSTALLATION

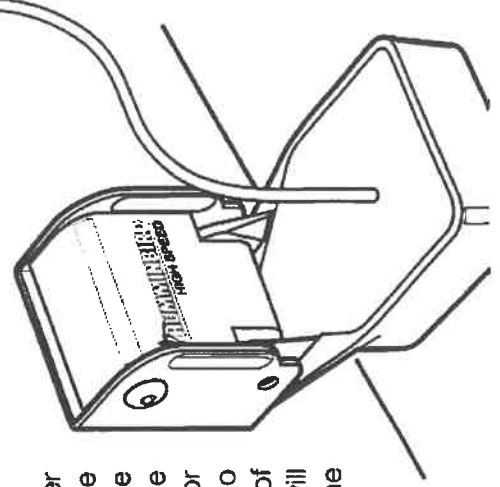
### Routing the Cable

The transducer cable has a low profile connector that must be routed to the point where the Wide Panorama unit will be mounted. Every boat is different and there may be several ways to route the cable.

If you choose to pass the cable through the transom of the boat, a 5/8" hole must be drilled above the water line. Fill this hole with silicone sealant, and use the supplied escutcheon plate to dress the entry hole. This will require two #8 x 5/8" screws provided and drilled holes of 9/64".



Remember that the transducer can pivot 90 degrees in the bracket should an object be struck, and sufficient cable slack should be allowed for this movement. It is best to route the cable to the side of the transducer so the cable will not be damaged by the rotating transducer.



Cable clamps are provided to secure the cable to the

## INSTALLATION TRANSDUCER INSTALLATION

Inside the boat there is often a channel or conduit used for other wiring, which can be used to route the transducer cable forward. The transducer cable should not be cut or shortened, and care should be used not to damage the cable insulation. Also, be sure to route the cable as far as practical from the antenna cable of VHF radios or tachometer cables to reduce the possibility of interference.

If the cable is too short for your application, extension cables are available at a reasonable cost which can extend the transducer cable up to a total of 50'. Call Humminbird Customer Support for more information.

## USING THE WIDE PANORAMA CONTROL FUNCTIONS

### Reset

The final Option is Reset. With so many User Options available to customize the Wide Panorama, it is easy to configure the unit in such a way that it is detrimental to a particular use. By using the Reset function, all variable or user-controlled features of the Wide Panorama are returned to the factory settings.



### FACTORY SETTING

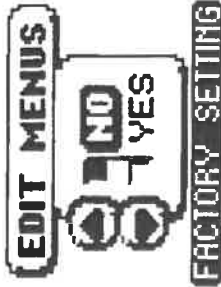
The Reset function is an important first step in trouble-shooting problems to ensure that a user selected setting is not the cause for the perceived problem.

Use the ARROW buttons to highlight "Yes" and the unit will return to factory settings. After making the selection, press MENU to end Options and return to normal operation.

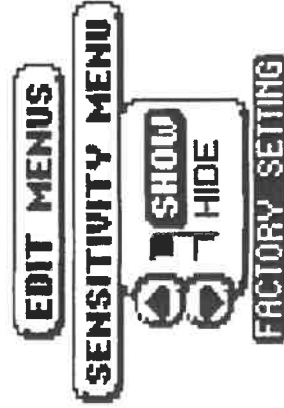
## USING THE WIDE PANORAMA CONTROL FUNCTIONS

### Edit Menus

Edit Menus allow the user to remove menus from the menu list which are not frequently used. After using your Wide Panorama, if one or more of the menu functions has no value to you, you can remove it from the menu system. To edit a menu, select YES and press MENU to sequence through all the menus. Each menu will offer the option of SHOW, which will retain it in the normal menu list, or HIDE, which will remove the menu from the list. Once you have sequenced through all the menus, you will return to the Edit Menu option.



Press MENU to advance to the next option.



## INSTALLATION TRANSDUCER INSTALLATION

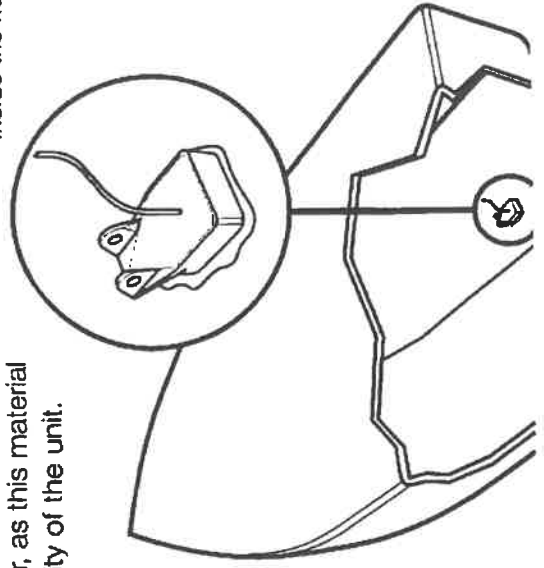
### Inside the Hull Mounting

Follow the steps below if you are mounting the transducer inside the hull of your boat.

Inside the hull mounting generally produces good results in single thickness fiberglass-hulled boats. Humminbird cannot guarantee depth performance when transmitting and receiving through the hull of the boat, since some signal loss occurs. The amount of loss depends on hull construction and thickness, and the installation.

Note also that this type of installation requires the use of a slow-cure two-part epoxy available at hardware, automotive, or marine distributors. Do not use silicone or any other soft adhesive to install the transducer, as this material reduces the sensitivity of the unit.

Transducer shown mounted inside the hull

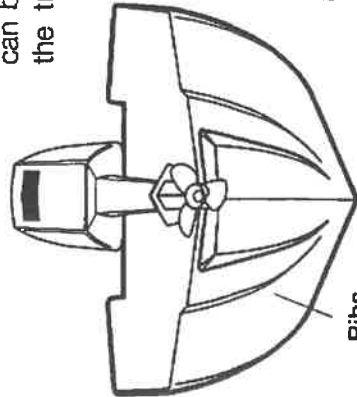


As there is no opportunity for adjustment after the transducer is glued in place, it is best to perform a trial installation on inside the hull transducers first, and run the boat at high speed to determine the best

## INSTALLATION TRANSDUCER INSTALLATION

### Trial Installation

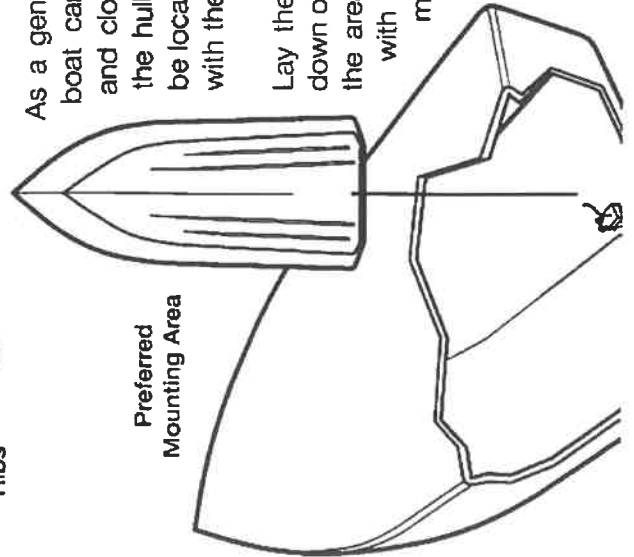
Refer to "Installing the Wide Panorama" and install the unit first, so the transducer installation can be tested using the unit itself. Route the transducer cable temporarily to the Wide Panorama unit.



Observe the outside of the boat hull if possible to find the areas which are mostly free from turbulent water. Ribs, strakes, and other protrusions should be avoided as these create turbulence.

As a general rule, the faster the boat can travel, the further aft and closer to the centerline of the hull the transducer has to be located to remain in contact with the water at high speeds.

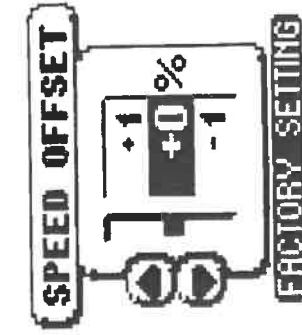
Lay the transducer body face down on the inside of the hull in the area identified. Fill the hull with enough water to submerge the transducer body. It may be helpful to use a sand filled bag or other form of weight to hold the transducer in position



## USING THE WIDE PANORAMA CONTROL FUNCTIONS

### Speed Offset

Speed Offset allows the user to compensate for differences in hull design, and its effect on the accuracy of the speed measurement.



If there is a discrepancy between the indicated speed and another speed measurement device on the boat, the speed measurement can be varied to improve accuracy. Remember, the speed paddle wheel measures speed through the water, not speed over ground.

Press MENU to advance to the next option.

### Width of Beam

Width of beam is the amount of area of coverage of the sonar signal on the bottom, it is the measurement of the 20° 200kHz center beam. This number varies with the depth of the water. The numeric display of this width of coverage can be displayed or removed from the normal screen.



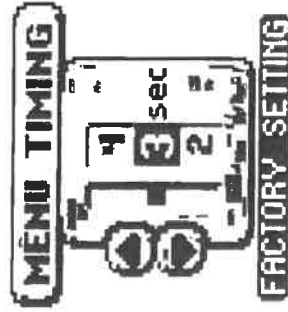
Press MENU to advance to the next option.



## USING THE WIDE PANORAMA CONTROL FUNCTIONS

### Menu Timing

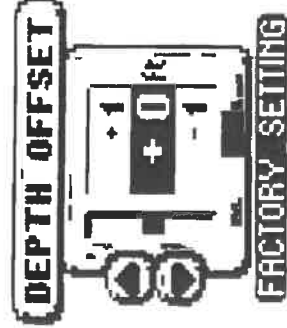
The amount of time a menu remains on-screen after the last button is pressed is variable. The default is 3 seconds. Users new to the menu system may select a longer time, (up to 5 seconds) and experienced users may select a shorter time.



Menu timing is remembered after power is disconnected. Press MENU to advance to the next option.

### Depth Offset

Depth offset allows the user to select the point on the boat from which the depth measurement is made. Selecting a positive value adds distance to the measurement. If the transducer is mounted 3 feet beneath the waterline, a positive 3 will show the correct depth from the surface of the water.



Another frequent use of depth offset is to show the depth beneath the deepest point of the hull. A negative value equal to the distance from the transducer location and the deepest point of the hull will have the same effect as mounting the transducer at the deepest point.

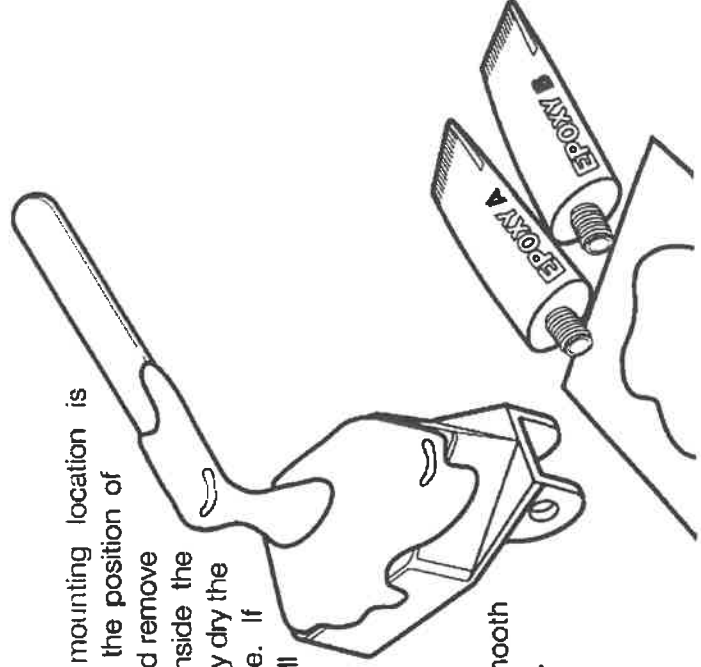
## INSTALLATION TRANSDUCER INSTALLATION

The transducer cannot transmit through air. The water purges any air from between the transducer and the hull, and fills any voids in the coarse fiberglass surface.

Power up and operate the Wide Panorama as described in "Using the Wide Panorama."

Run the boat at various speeds and water depths while observing the screen of the Wide Panorama. The transducer can be moved to different locations in the hull until the optimum performance is achieved.

Once the best mounting location is determined, mark the position of the transducer and remove the water from inside the hull and thoroughly dry the mounting surface. If the inside hull surface is excessively rough, it may be necessary to sand the area to provide a smooth mounting surface.



## INSTALLATION TRANSDUCER INSTALLATION

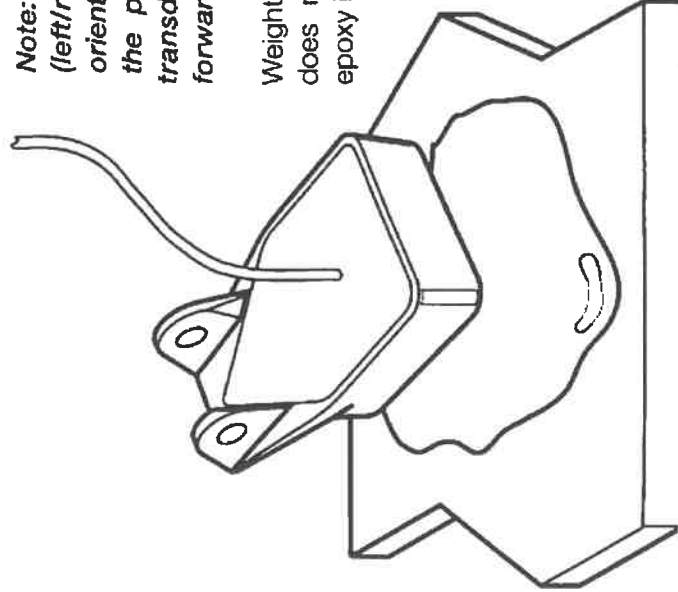
Ensure that the mounting area is clean and dry. Mix an ample quantity of two-part slow-cure epoxy and coat the face of the transducer and the inside of the hull. (5-minute epoxy has a tendency to cure before all the air bubbles can be purged. Silicone will absorb some of the sonar signal and degrades depth performance.)

Press the transducer into place with a slight twisting motion to purge any trapped air from underneath, keeping the pointed end of the transducer body pointed forward.

*Note: Proper on-screen (left/right fish location) orientation depends on the pointed end of the transducer body facing forward.*

Weight the transducer so it does not move while the epoxy is curing.

When the epoxy has cured, no water will be necessary inside the hull and water, spilled gasoline, or oil will not affect the performance



## USING THE WIDE PANORAMA CONTROL FUNCTIONS

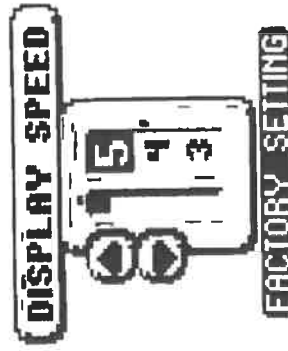
Once the transducer selection is made, use the MENU button to advance to the next Option.

The transducer setting is remembered when the unit is powered off.

### Display Speed

Display Speed controls the rate at which the graphic information moves across the display.

There are 5 possible speeds; the fastest rate (5) is the factory setting. If your boat is stationary or moving very slowly for extended periods, it may be desirable to update the display at a slower rate. The closer the update rate matches boat speed, the more accurate is the graphic depiction of the terrain beneath your boat.

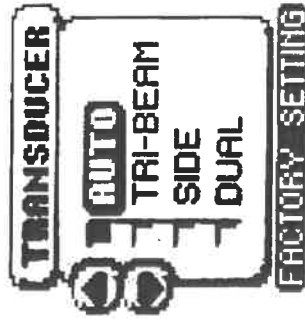


Use the UP and DOWN ARROWS to select the desired update rate. (1) is the slowest, (5) is the fastest. Use the MENU button to advance to the next menu.

The Display Speed setting is remembered when the unit is powered off.

## USING THE WIDE PANORAMA CONTROL FUNCTIONS

alternative transducer may be used (i.e. a Wide Side or a trolling motor mount transducer). Often two transducers are used in conjunction with a transducer switch to provide increased utility.



The Wide Panorama has the ability to positively identify a Tri-beam transducer. If this identification is made, the unit operates normally with no further input from the user. If a transducer other than the Tri-beam transducer is connected, the Wide Panorama will assume this transducer is a Wide Side transducer (available as an accessory) and the screen layout will change automatically to show the Wide Side display.

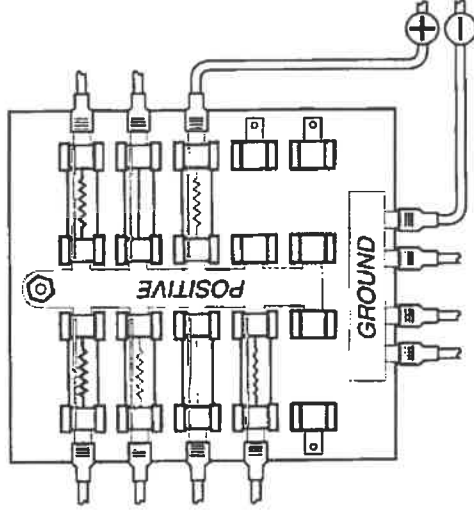
In the event that a non-standard transducer other than the Wide Side is connected (Dual Beam), the user must manually identify this transducer so that the Wide Panorama can interpret the information received. Once this identification is made, the unit defaults to this setting whenever a non-standard transducer is detected.

The Transducer Option menu provides four options: Auto, Tri-beam, Side and Dual. **Note:** If two non-standard transducers are connected to the Wide Panorama through a transducer switch, the Transducer Options menu must be used to manually identify

## INSTALLATION INSTALLING THE WIDE PANORAMA

### INSTALLING THE WIDE PANORAMA

If your boat has an electrical system, there is probably a fuse panel in the console area which can be used to attach the Wide Panorama power cable. If a fuse terminal is available, use crimp-on type electrical connectors (not included) which match the terminal on the fuse panel, and attach the black wire to ground, and the red wire to 12 VDC power. Be sure to use a one amp fuse in the connection. A 6' long power cable is included. You may shorten or lengthen the cable using 18 gauge multi-strand copper wire.

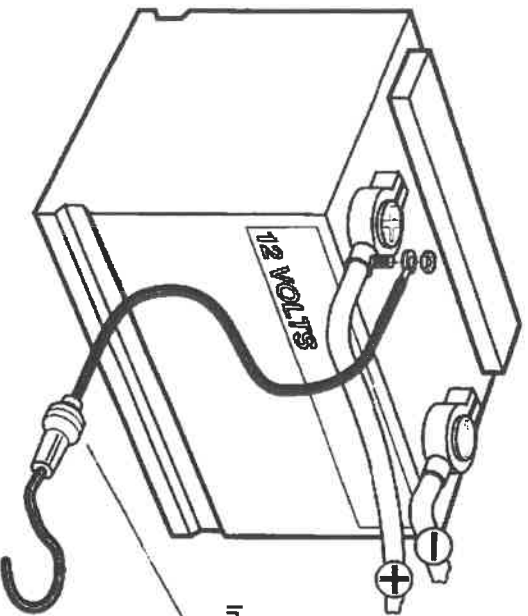


**CAUTION:** Some boats have 24 or 36 volt electric systems. Be sure your Wide Panorama is connected to a 12 VDC power supply.

If you must wire the Wide Panorama directly to a battery, be sure to install an in-line fuse holder and one amp fuse (not included) for the protection of the unit. Humminbird is not responsible for over-voltage or over-current

## INSTALLATION INSTALLING THE WIDE PANORAMA

In order to minimize the potential for interference with other marine electronics, particularly VHF radios, it is best to route the transducer cable and the antenna cable as far apart as possible. A separate power source may be necessary to eliminate interference.



Inline Fuse Holder

Before installing the Wide Panorama, gather the parts needed: the Wide Panorama fishfinder, the mounting bracket, the connector holder, the power cable, and the mounting hardware.

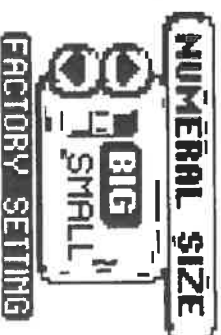
Next, consider where to mount the Wide Panorama. You can preassemble the unit to the mounting bracket and try different positions on the console or deck of the boat. Remember that the cables for power, transducer, and

## ADVANCED FEATURES CONTROL FUNCTIONS

### Numeral Size

Numeral Size is the next Option menu. Two options are available: "Big" and "Small". The factory setting is Big. With this setting,

the digital depth and speed and temp numerals are drawn large enough to be readable from across the boat. The big numerals occupy space on the display which could be used for the graphics area. Hence, the small numerals option. With small numerals selected, a greater amount of the display area is available for the graphic view. This effectively increases the display resolution of the unit. Sonar targets which are very close together can often be displayed as separate targets, though the distance from which the numerals are readable is somewhat less.



Use the UP and DOWN ARROW buttons to highlight the desired selection, then press MENU to advance to the next menu.

Numeral Size settings are remembered when the unit is powered off.

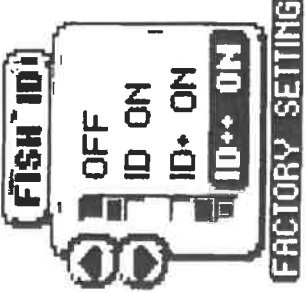
### Transducer

The Transducer option allows manual selection or identification of a non-standard transducer. The Wide Panorama is designed to work with

## USING THE WIDE PANORAMA CONTROL FUNCTIONS

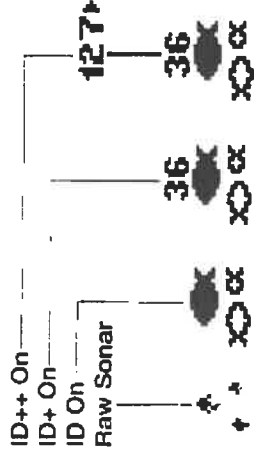
### Fish ID

The next Option menu is Fish ID. There are four selections available; Off, ID ON, ID+ ON, and ID++ ON. The factory setting is ID++ On. With Fish ID Off, sonar returns are displayed as "raw" information. There is no interpretation made by the unit. Selecting ID Off, will also disable the fish alarm.



ID On enables the Wide Panorama to interpret the raw sonar data and, using a variety of techniques, depict appropriate target returns as one of three different size fish symbols. Further identification shows whether the fish is in the left, center, or right beam.

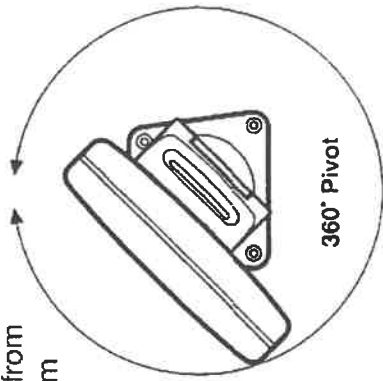
ID+ On adds an additional piece of information to the location of the fish. The depth beneath the surface for selected fish symbols is attached to the fish symbol. ID++ adds the distance measurement from the boat to selected fish symbols. This measurement requires the speed input to be connected in order to determine the distance the boat has travelled.



Use the ARROW buttons to highlight the desired setting, and press MENU to advance to the next menu.

## INSTALLATION INSTALLING THE WIDE PANORAMA

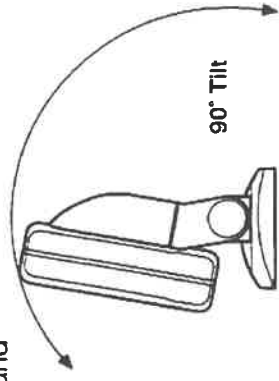
There are two different ways to route the cables to the unit: through a hole in the mounting surface underneath the mounting bracket, or from a hole outside the mounting bracket. It is preferable to route the cables from underneath the bracket for maximum weather protection, however, access to this area may not be possible.



If the cables must pass through the mounting surface at a point not covered by the mounting bracket, a hole cover is supplied to provide protection for this opening.

Consider also that the mounting surface should be adequately supported to protect the Wide Panorama from excessive wave shock and vibration, and provide visibility while in operation.

The mounting area should allow sufficient room for the unit to pivot and swivel freely, and for easy removal and installation.



## INSTALLATION INSTALLING THE WIDE PANORAMA

## USING THE WIDE PANORAMA CONTROL FUNCTIONS

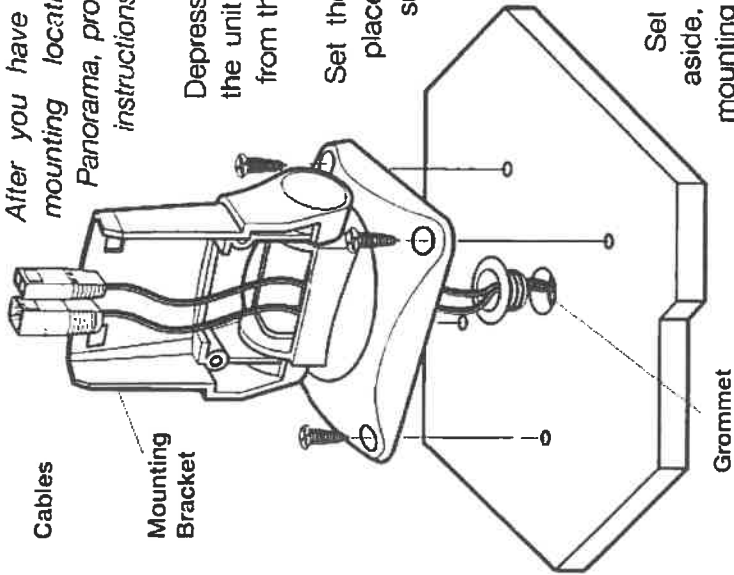
### Drilling the Mounting Holes

After you have determined the best mounting location for your Wide Panorama, proceed with the following instructions.

Depress the latch on the rear of the unit and separate the unit from the mounting bracket.

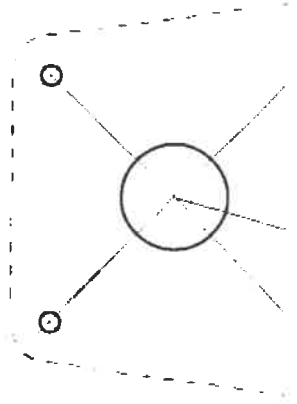
Set the mounting bracket in place on the mounting surface.

Mark the four mounting screw locations with a pencil or a punch.



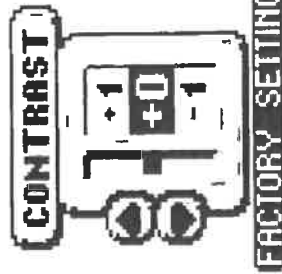
Set the mounting bracket aside, and drill the four mounting screw holes using a 9/64" bit.

If you have access to the underside of the mounting surface, mark and drill a 1" hole centered between the four



### Contrast

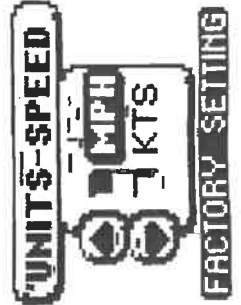
The Contrast function allows the user to control the level of contrast of the LCD display. The Wide Panorama will automatically adjust the display contrast to compensate for changing ambient temperatures; however, some situations may occur where manual adjustment will provide a higher level of contrast.



Eleven contrast settings, +5 to -5, are possible. The display contrast will change as the adjustment is made so the optimum level of contrast can easily be adjusted. Use the ARROW buttons to highlight the desired selection. The Wide Panorama will reset to the factory setting when the unit is powered off.

### Units

Units of Speed allows the selection of MPH (statute miles per hour), or KTS (nautical miles per hour). Use the Arrow buttons to highlight the desired selection. The Wide Panorama will remember this setting even when the unit is powered off. Press MENU to go to the next selection.



## USING THE WIDE PANORAMA CONTROL FUNCTIONS

The information displayed is the same for either selection; however, the terrain may dictate which offers a more helpful view of sonar information.

The Perspective menu will not be available when a view other than the Contour View is in use.

### Options

The Options Menu is actually a series of linked menu functions which are used initially to select user preferences. Once user preferences are selected, it is unlikely that these functions need to be accessed during the normal operation of the product. The Options menu works differently than other menu functions in that all of the options must be cycled through in order to return to normal operation. There are twelve Option menus: Contrast, Units, Fish ID, Numeral Size, Transducer, Display Speed, Menu Timing, Depth Offset, Speed Offset, Width of Beam, Edit Menus, and Reset.

Press MENU until the Options menu is on-screen. There are two choices, Hide (Factory Setting) and Show. Use the DOWN ARROW to highlight Show and the first Options menu appears.



## INSTALLATION INSTALLING THE WIDE PANORAMA

Insert all cables through the 1" hole and grommet from beneath the mounting surface.

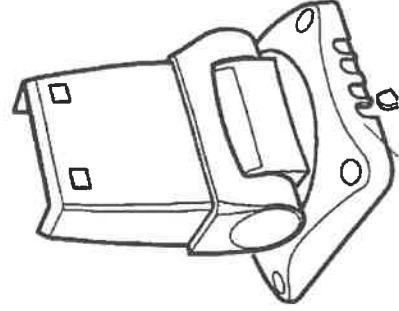
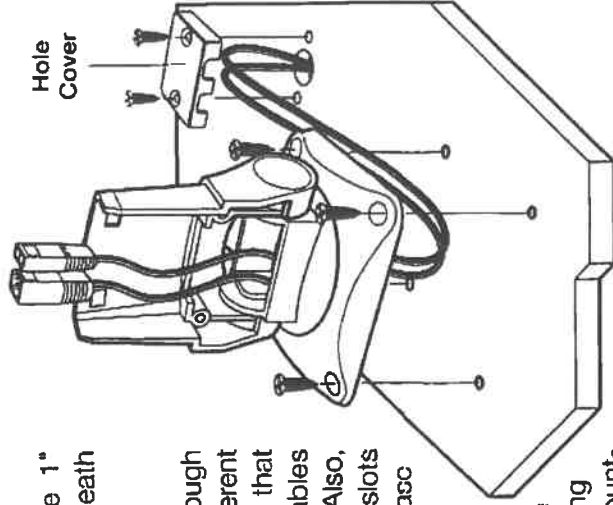
If the cables must pass through the mounting surface at a different location, drill the 1" hole at that location and pass the cables through from underneath. Also, you must break-out the wire slots on the rear of the mounting base using needle nose pliers.

Pass the cables first through the grommet (if the cable hole is underneath the mounting bracket), then through the mounting base, out the top of the mounting bracket.

Press the grommet in place around the cables and into the 1" hole.

Place the mounting bracket on the mounting surface aligned with the drilled holes. Insert the four flat-head wood screws into the mounting holes and tighten fully.

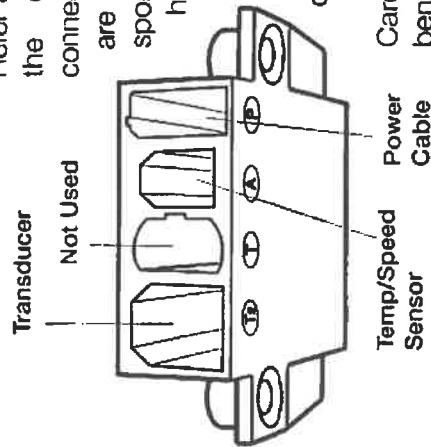
**Note:** Remove the break-out tabs only if the cable hole is not under the mount.



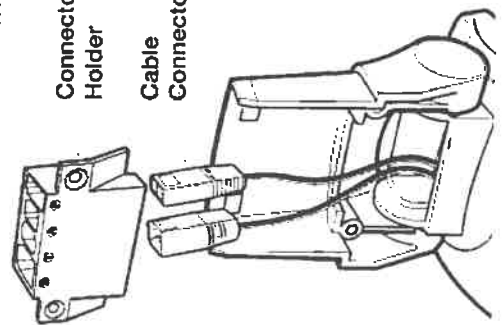
## INSTALLATION INSTALLING THE WIDE PANORAMA

### Assembling the Connector Holder

Refer to the illustration below and insert the cable connectors into the connector holder. The cable connectors are labeled, and there are corresponding labels on the connector holder. The slots for the connectors are keyed to prevent reversed installation, so be careful not to force the connector into the holder.



Carefully pull the excess cable from beneath the mounting surface so the connector holder aligns with the mounting holes on the front of the mounting bracket.



Snap the support plate to the rear of the connector holder as shown.

## USING THE WIDE PANORAMA CONTROL FUNCTIONS

Triplog will begin to calculate elapsed time, distance traveled, and average speed from the time of reset.



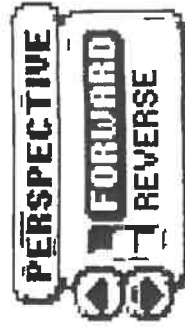
Triplog can be used with any view, except Wide Side. When Triplog is enabled in Monster Digits view, the Triplog information will displace the water temperature readout.

To disable Triplog, press the MENU button until the Triplog menu is on-screen. Use the UP ARROW to select Hide and let the menu time out. The Triplog continues to operate and log time and distance even when it is not visible on-screen. The Triplog resets at power off.

### Perspective

The Perspective menu is only available when in Contour View. Two options are available: forward and reverse perspective.

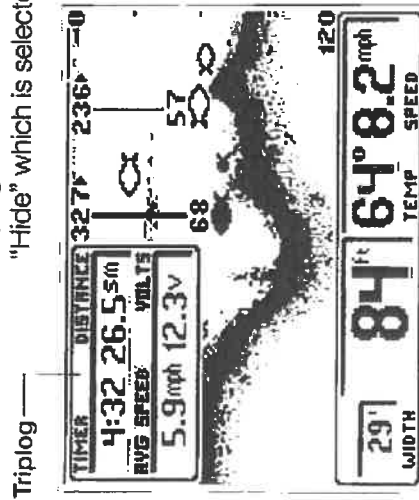
Perspective controls the viewpoint of the user when using Contour View. Press MENU until the Perspective menu is on-screen. Use the UP and DOWN ARROWS to select the perspective option you desire. In the forward perspective, the information is viewed from a point forward of and to the right of the boat. In reverse perspective, the information is viewed from a point rear of and to





## USING THE WIDE PANORAMA CONTROL FUNCTIONS

To enable Triplog, press MENU repeatedly until the Triplog menu is on-screen. The Factory Setting is "Hide" which is selected. Use the DOWN ARROW to select "Show" and the Triplog box will appear at the upper left corner of the screen.



Triplog provides four pieces of information: the distance traveled since the Wide Panorama was powered-up (or reset), the average speed, the total time elapsed since power-up (or reset), and the input voltage from your boat's electrical system.

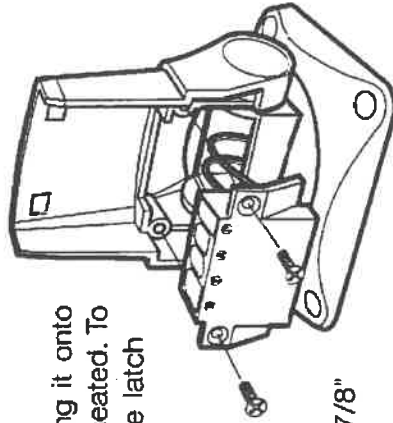
The time, speed, and distance calculations are useful for tracking your progress on a trip. The input voltage is useful for determining the condition of the charging system of the boat. When used in a portable application or whenever the Wide Panorama is operated from a battery source, the voltage number can be used to determine battery life. The Wide Panorama will operate at voltages from 10 to 16 VDC. Voltages in excess of 16 or less than 10 VDC will cause the unit to power off.

Once Triplog is enabled, pressing MENU to bring the Triplog menu on-screen now shows an

## INSTALLATION INSTALLING THE WIDE PANORAMA

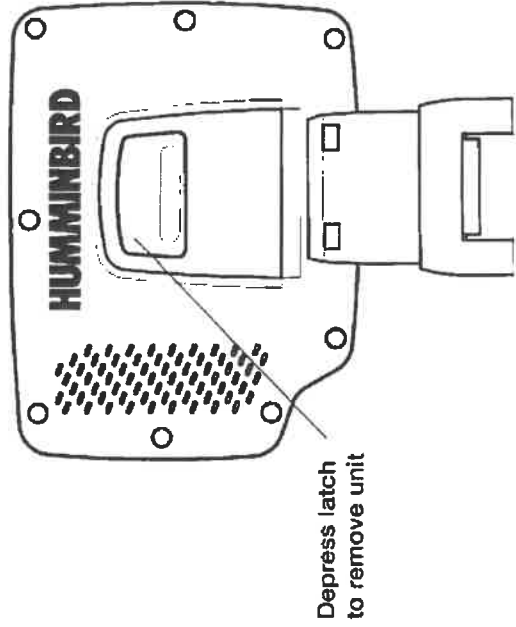
Insert the connector holder into place and use the two #6-32 x 3/4" screws to fasten it to the mounting bracket.

Install the Wide Panorama by sliding it onto the mounting bracket until it is fully seated. To remove the unit simply depress the latch on the rear of the unit and lift.



If the cables pass outside the mounting bracket, install the hole cover (supplied) over the hole and fasten in place using the two #8 x 7/8" wood screws.

Your Wide Panorama unit is now ready for operation.



## INSTALLATION TESTING THE INSTALLATION

### TESTING THE INSTALLATION

After installation is complete and all connections are made, you are ready to test the installation prior to actual use. Thorough testing should be performed with the boat in water; however, you can initially confirm basic operation with the boat trailered.

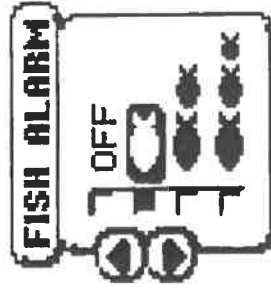
Press POWER once to turn the unit on. There will be an audible chirp when any button is pressed that confirms the button press. If the unit does not power-up, ensure that the unit is fully seated on the mount and that power is available.

The first screen provides four options: *Start-up*, *Options*, *Simulator*, and *Diagnostic*. A message at the bottom of the screen indicates the current transducer. If no transducer is detected, the message will indicate this and the unit will go into simulator after the initial screen times out. If a transducer is detected, the unit will enter normal operation. If you do not press any button before the timer reaches "0", the normal operation screen will be displayed. If the boat is on-water, sonar data will begin to appear. If no transducer is connected or detected, the Panorama will go into simulator mode after the initial menu screen times out.

**Note:** *The transducer must be submerged in water for reliable transducer detection.*

## USING THE WIDE PANORAMA CONTROL FUNCTIONS

this setting, any fish symbol appearing on-screen activates the Fish Alarm. Once the Fish Alarm is enabled, the Wide Panorama emits an audible beep when the selected size fish symbol appears on-screen. The sound is slightly different for each of the three fish symbol sizes, so with practice, it is possible to distinguish the size of the detected fish without looking at the unit. Fish alarm cannot work when the Fish ID function is disabled.



To disable the Fish Alarm, press MENU until the Fish Alarm menu appears on-screen. Use the UP ARROW to highlight "Off", and let the menu time out.

Fish Alarm settings are remembered when the unit is powered off.

### Triplog

Triplog provides a running log of information based on input from the Temp/Speed sensor and an internal clock. Since Triplog requires information from the Temp/Speed sensor to operate, if this sensor is not detected by the Wide Panorama, the Triplog menu will not appear as an option.



## USING THE WIDE PANORAMA CONTROL FUNCTIONS

menu appears briefly to indicate the setting. If the alarm is sounding and you want to disable it, use the MENU button to bring the Depth Alarm menu on-screen, and the UP ARROW to highlight "Off". The alarm will stop sounding as soon as any button is pressed.

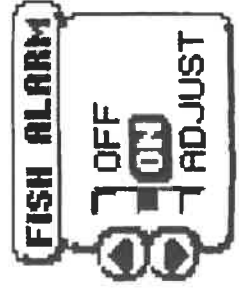
The Wide Panorama defaults to Depth Alarm "Off" when powered off; however, the most recent depth setting is remembered.

### Fish Alarm

The Fish Alarm alerts you to the presence of fish, or other targets not connected to the bottom. The Fish Alarm has 3 different settings which correspond to the 3 different size fish symbols shown on-screen.



To enable Fish Alarm, press the MENU button repeatedly until the Fish Alarm menu appears on-screen. The menu shows two options, "Off" (Factory Setting) and "On". Use the DOWN ARROW to highlight "On" and the menu further expands to show the 3 alarm options. The selected setting will be "Large fish only". With this setting, the Wide Panorama alarms on only those targets which are represented by the large fish symbols (see interpreting the On-Screen Information). Pressing the DOWN ARROW again highlights "large and medium fish"



## INSTALLATION TESTING THE INSTALLATION

not press any button before the timer reaches "0", the unit will enter normal operation.

If the bottom is visible on-screen with a digital depth readout, the unit is working properly. Ensure that the boat is in water greater than 2' but less than 1000' deep, and that the transducer is fully submerged. Remember that the sonar signal cannot pass through air. Refer to the troubleshooting section of this manual. If the unit is working properly, gradually increase the boat speed to test high-speed performance. If the unit functions well at low speeds but begins to skip or miss the bottom at higher speeds, the transducer installation requires adjustment. Refer to the appropriate transducer installation section for more detail.

**NOTE: It is often necessary to make several incremental transducer adjustments before optimum high-speed performance is achieved.**

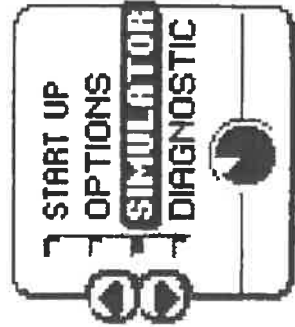
## USING THE WIDE PANORAMA SIMULATOR OPERATION

The Wide Panorama is completely automatic and easy to use. Simply press the POWER button and the unit will locate and track the bottom from 2' to 1000' changing ranges as necessary, display any structure or suspended fish and work at speeds from 0 to over 70 mph.

If POWER is the only button you use, you will benefit from the advanced automatic bottom tracking of the Wide Panorama. However, if you choose to experiment with the many features and controls the Wide Panorama offers, you can customize the presentation of information to suit your particular needs.

### SIMULATOR OPERATION

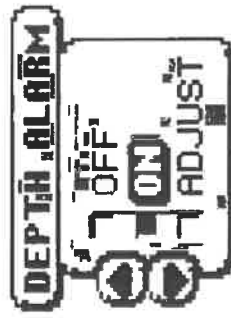
The Wide Panorama contains a Simulator which allows you to use the unit as if you are on the water. The Simulator is invaluable for learning how to operate the many features of the Wide Panorama. There are two ways to enable the Simulator: if the unit is powered off, press and hold the POWER button for approximately 3 seconds until a continuous chirp is heard. The Simulator can also be enabled by selecting the Simulator option on the start-up screen after you normally power-up the unit. When this screen is shown, simply press the



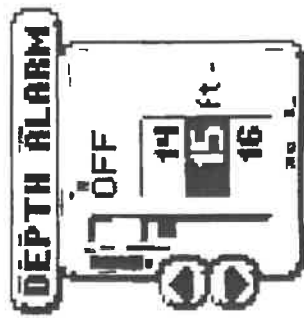
## USING THE WIDE PANORAMA CONTROL FUNCTIONS

### Depth Alarm

The Wide Panorama contains an audible alarm to warn you of shallow water depths. The alarm is adjustable from 2' to 99' of depth. When the alarm is enabled, an audible alarm is sounded if the water beneath the boat is equal to or less than the selected alarm depth. Upon activation, the alarm sounds continuously for about 5 seconds, and then intermittently to remind you that you are still in shallow water. A Bird Note™ will appear on-screen to visually indicate the Depth Alarm has been activated. Additionally, the Wide Panorama can anticipate quickly changing terrain and sound the Depth Alarm before the bottom depth actually reaches the preset alarm depth.



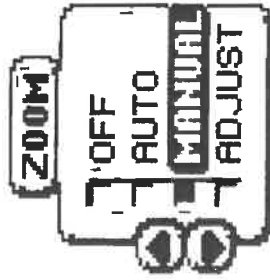
To enable Depth Alarm, press MENU repeatedly until the Depth Alarm menu is on-screen. The Factory Setting is "Off". Use the DOWN ARROW to highlight On. The menu will expand to show the current Depth Alarm setting. Use the UP or DOWN ARROW to set the desired depth for alarm activation.



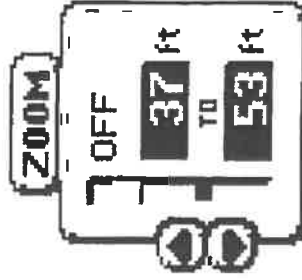
Once the menu times out, the Depth Alarm is enabled and an arrow will remain on-screen which indicates the depth for which the alarm is adjusted. To

## USING THE WIDE PANORAMA CONTROL FUNCTIONS

Zoom range). Press the DOWN ARROW once to highlight Auto. When the menu disappears, full range information is displayed on the right as always. The square box indicates the Zoom range. In Auto Zoom, the box will move vertically to remain in the general area of the bottom return. The left side of the screen is a magnified view of the information seen inside the Zoom range box. The upper and lower depth limits of the Zoom range are shown on the right side of the Zoom view. These range numbers will change as the depth changes.



If "Manual" is selected, the Zoom display will appear and the Zoom box will be positioned in the general area of the bottom return. In Manual Zoom, the Zoom box will not move as the bottom depth changes. By pressing the UP and DOWN ARROW buttons after the Zoom menu is off-screen, the position of the Zoom box will change, and the upper and lower limits of the Zoom range will be displayed.



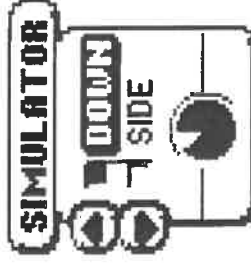
To disable Zoom, press the MENU button until the Zoom menu is on-screen. Use the UP ARROW to highlight Off, and let the menu time out. The digital depth information is not affected by Zoom.

When the unit is powered off, the Zoom menu returns to Zoom Off.

## USING THE WIDE PANORAMA SIMULATOR OPERATION

If the Wide Panorama is powered up with no transducer connected, the unit will automatically default to the Simulator mode.

Once the Simulator mode is selected, the next screen will allow you to select either "down" simulator or "side" simulator. The "down" selection simulates normal operation of the unit with the Tri-beam transducer connected. "Down" simulator is the default setting, so if no adjustment is made, the down simulator will be selected. The "side" simulator simulates operation with a Wide Side transducer connected. This is an excellent way to see if you like the way the unit works using the optional Wide Side transducer.



When in Simulator operation, the Wide Panorama responds to control inputs as if it is in actual operation, so feel free to experiment with the many features and functions to customize the Wide Panorama for your particular operation. The unit will also simulate the Temp/Speed accessory by showing water temperature and boat speed readings. To exit Simulator mode, power the unit off.

## USING THE WIDE PANORAMA FEATURE MEMORY

### FEATURE MEMORY

If your Wide Panorama is installed with a transducer connected, any changes you make to the user settings (see Control Functions) while in Simulator are retained in the unit's memory. This allows you to use simulator to experiment with the various set-up options, and retain your selected settings for normal operation.

If you are using the Wide Panorama in Simulator when no transducer is connected, any selected options are lost when the unit is powered off. The Wide Panorama will return to Factory Settings, or options selected when last used with a transducer, if no transducer is connected.

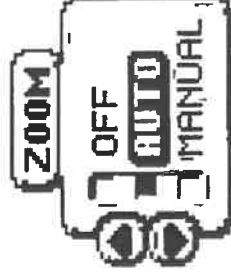
**IMPORTANT:** *A transducer must be connected to the Wide Panorama in order to retain user settings selected when in simulator mode. If no transducer is detected, the unit defaults to pre-selected options when powered off.*

### WHAT YOU SEE ON-SCREEN

Your Wide Panorama uses a 160 x 136 matrix film Super-Twist LCD display. This type of display provides outstanding viewability in all light conditions over a wide range of temperatures.

## USING THE WIDE PANORAMA CONTROL FUNCTIONS

It is not possible to use Zoom in conjunction with the Monster Digits or Contour views. While the Monster Digits and Contour views are always available, Zoom information is only displayed on the 2D view. The Zoom menu is not available when using a view other than the 2D view.



The Wide Panorama shows Zoom range in conjunction with the full depth range. The Zoom range is shown on the left side of the screen and full range information is shown on the right side of the display. The area which is being enlarged by Zoom is indicated by the square box. Zoom can either operate automatically, in which the Zoom range is constantly adjusted to show the bottom, or manually, in which the user controls the location of the Zoom range.

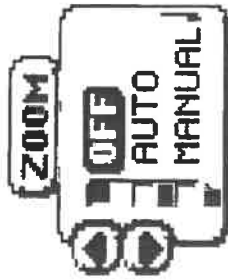
"Automatic" Zoom is especially helpful when looking for structure or bottom detail. The "Automatic" Zoom keeps the bottom in view even in quickly changing terrain. "Manual" Zoom provides detailed information of any area from the surface to the bottom.

In "Manual" Zoom, the Zoom range does not move as the terrain changes. To operate Zoom, press MENU repeatedly until the Zoom menu is on-screen. Three options are available: "Off"

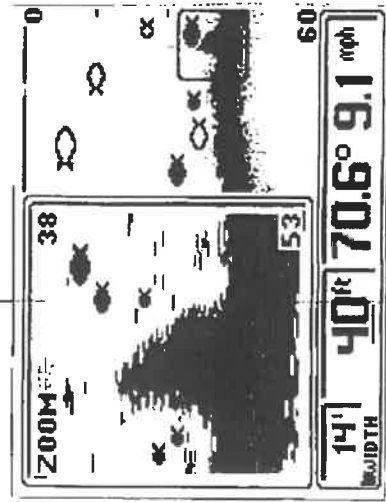
## USING THE WIDE PANORAMA CONTROL FUNCTIONS

### Zoom

The Wide Panorama uses a greatly enhanced Zoom capability called "True Zoom" which offers expanded information on a select area of sonar information. Zoom is similar to Depth Range in that it controls the range of information displayed in the graphics area of the display. Zoom, however, allows selection of ranges beneath the surface so any area of water between the surface and the bottom can be enlarged to provide more detailed information. By using the full display to show a small area of coverage, the effective display resolution is increased both vertically (depth information) and horizontally, and the unit's ability to separate targets which are very close together is enhanced.



Upper Zoom Limit



Lower Zoom Limit 600', and 1000' depth ranges, TruZoom displays a range equal to one fourth the current depth range. The box at the right side of the

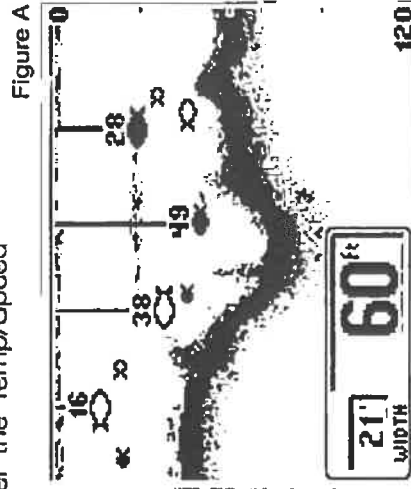
## USING THE WIDE PANORAMA WHAT YOU SEE ON-SCREEN

The presentation of information on-screen may take one of several forms depending on the type of transducer being used, whether or not the Temp/Speed sensor is connected, and the current setting of various user options. See Advanced Operation for information on custom screen options.

**NOTE:** When in simulator mode, the word "simulator" occasionally appears on the display indicating that the information on-screen is not real sonar data.

The initial screen layout takes one of two basic forms depending on whether the Temp/Speed accessory is installed.

Figure A shows the default view when the Temp/Speed accessory is not installed. The digital depth number shows the depth of water directly beneath the transducer location.



The range of the graphic display is shown to the right of the graphic information. The upper number is "0" indicating the surface of the water, the lower number is one of the 10 ranges available which best matches the depth of the water. As the depth of the water changes, the

## USING THE WIDE PANORAMA WHAT YOU SEE ON-SCREEN

When in Auto mode, the horizontal line at the top of the graphics area is the 0 line which represents the surface of the water. Occasionally there will be a gap in this line. This gap is intentional and indicates that the unit is updating the display even if the bottom is not visible on-screen, or if the bottom information is not changing.

The graphic representation of the bottom may vary considerably depending on the composition and regularity of the bottom surface (see Interpreting the On-screen Information). Any sonar return which is determined to be not a part of the bottom is shown between the surface and the bottom. If this return is determined to be a fish, one of several fish shapes is drawn which indicate size, depth, and location of the fish (see Interpreting the On-screen Information).

Figure B

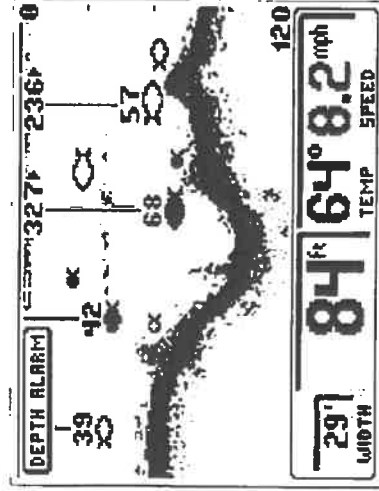
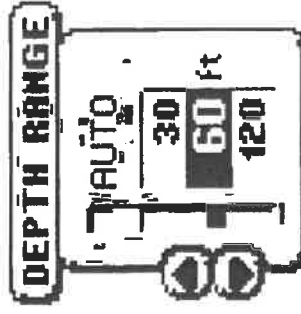


Figure B shows the default view when the Temp/Speed sensor is connected. Water surface temperature and boat speed are displayed at the bottom of the screen.

## USING THE WIDE PANORAMA CONTROL FUNCTIONS

ARROW button to scan through the available options. If a setting limit is reached, the audible "error" or multiple chirps will be heard and no further adjustment is allowed. When "Manual" range is used, the unit no longer adjusts the Depth Range to the most appropriate range for bottom display. Often, the bottom may not be visible on-screen and a Bird Note™ will appear to indicate this condition. The digital depth readout always determines the depth of the bottom, even if it is not visible on-screen.



When a Depth Range is selected manually and the Depth Range menu is still active (most recently used), further adjustment of the depth range can be achieved by simply pressing the appropriate UP or DOWN ARROW button. The button press will bring an abbreviated Depth Range menu on-screen located next to the lower range number, and allows immediate adjustment of the range. After any adjustment is made, a Bird Note™ will appear briefly to confirm the adjustment.

To return to "Automatic" Depth Range control, press the MENU button until the Depth Range menu appears on-screen and use the UP ARROW to select AUTO. The Wide Panorama returns to Automatic operation.



## USING THE WIDE PANORAMA CONTROL FUNCTIONS

The Wide Panorama automatically adjusts the depth range depending on the depth of the water. The unit tries to maintain the bottom depiction about 2/3 down the total range (for example, in 20' of water, the 0-30' range would be selected). This provides the best display resolution and therefore the best target separation possible.

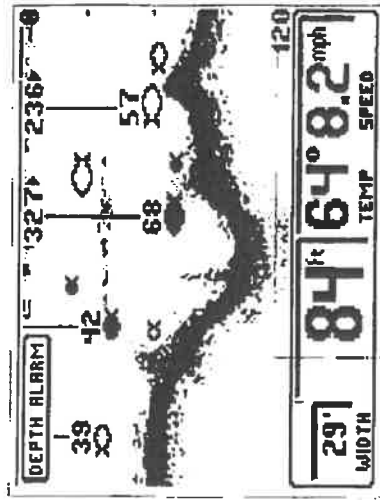


Figure C

The Depth Range can be adjusted manually. Press MENU repeatedly until the Depth Range menu is visible. The two options available are "Auto" (Factory Setting) and "Manual". Pressing the DOWN ARROW enables "Manual". Pressing depth range control and an additional menu will appear which allows the user to adjust the current depth range setting. If no further button is pressed, the current depth range is selected as the desired range and the unit returns to normal operation.

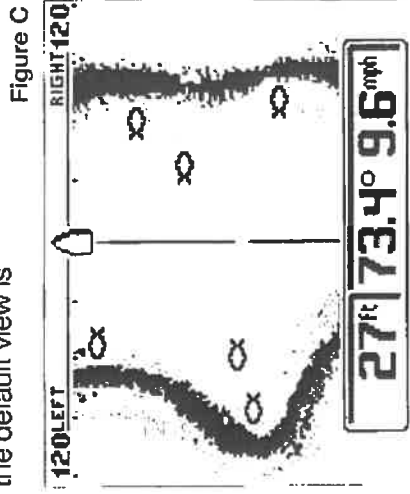


Figure D

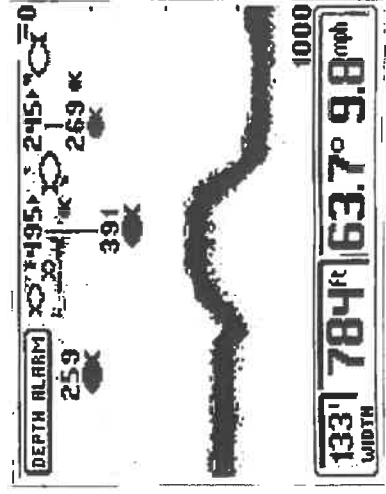
## USING THE WIDE PANORAMA WHAT YOU SEE ON-SCREEN

If the Wide Panorama determines that a Wide Side transducer is connected, the default view is shown in Figure C. Sonar information from both the left and right beams is shown.

As you learn the many capabilities and user preference functions of the Wide Panorama, additional screen configurations are possible. Figure D shows a view with "Small Digits"



selected in the User Options menu. By selecting smaller digits for the depth, speed and temp information, more of the screen is available for the graphic representation of the sonar information. This effectively increases the display resolution of the Wide Panorama, allowing targets which are very close together to be displayed as separate symbols.

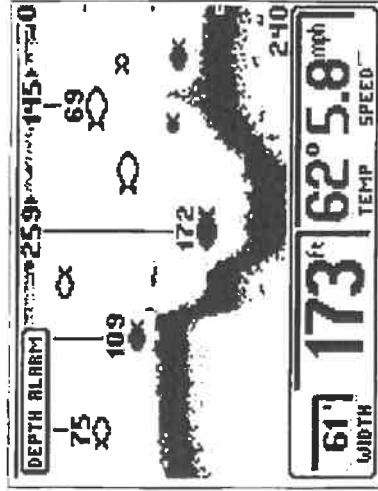


Using "Manual" Depth Range control, the user can view sonar information from the area near the surface in great detail. If a depth range other than the current range is desired, pressing the DOWN ARROW to highlight "Adjust" will allow

## USING THE WIDE PANORAMA INTERPRETING THE ON-SCREEN INFORMATION

Figure E shows a typical view you can expect to see on-water. New sonar information appears on the right side of the graphic area of the display and moves to the left as new information is displayed. The Wide Panorama automatically selects the appropriate depth range to show the depth of water beneath the transducer. This range is selected so that the bottom representation is typically shown about 2/3 down the display.

Figure E



The graphic depiction of the bottom provides the user with an effective tool for understanding the composition of the bottom. The FSTN type display uses 4 discrete levels of gray to indicate the intensity of the returned sonar signal. The Wide Panorama can display even the smallest sonar returns with light gray pixels. Larger returns are displayed with darker shades of gray. If the bottom is hard and smooth, the bottom depiction is narrow and dense. If the bottom is soft mud or sand, the depiction will be thick and less dense. This indicates that much of the signal is absorbed by the soft bottom. If the bottom is rocky or rugged in composition, the depiction is of varying

## USING THE WIDE PANORAMA CONTROL FUNCTIONS

If a setting limit is reached, the ARROW symbol attached to the menu appears to be light gray which indicates that the related button has no further function. Also, the audible "error" consisting of multiple chirps will be heard.

After an adjustment is made, the menu disappears, a Bird Note™ confirms the adjustment and the new sensitivity setting begins to affect new sonar information as it flows on-screen. If additional adjustment is needed, the UP ARROW or DOWN ARROW can be pressed without having to first press MENU.

The Sensitivity setting is remembered in memory after the unit is powered off.

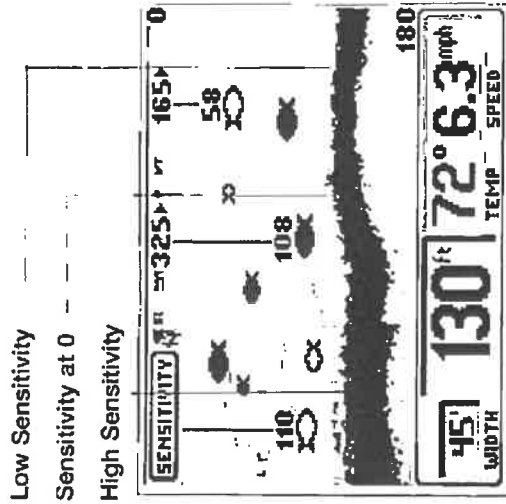
### Depth Range

The Depth Range function controls the vertical distance displayed on the graphic area of the display. There are 10 different depth ranges available. The top of the range is always 0, or the surface of the water. Ranges of 0-15', 0-30', 0-60', 0-120', 0-180', 0-240', 0-360', 0-480', 0-600', and 0-1000' are available. The range which positions the bottom depiction closest to the bottom of the graphic area of the display will best utilize the available display resolution.



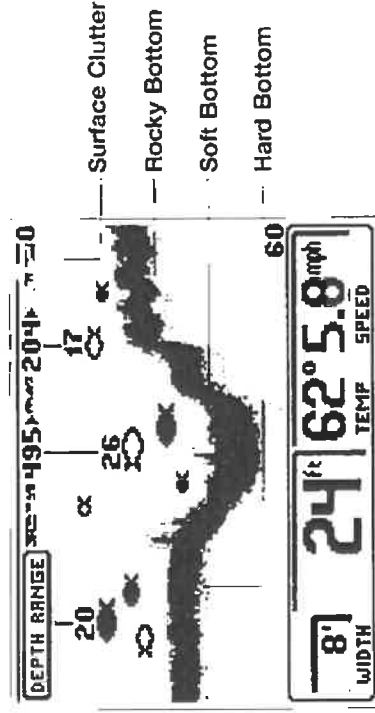
## USING THE WIDE PANORAMA CONTROL FUNCTIONS

automatic sensitivity control. Increasing the bias (+1 through +5) causes the unit to display the information from progressively smaller sonar returns. By decreasing the sensitivity bias (-1 through -5), the unit effectively filters small sonar returns. In murky or muddy water, it is often advantageous to reduce the sensitivity bias. This prevents the display from being cluttered with sonar returns from debris or suspended particles. In very clear or very deep water, it may be desirable to increase the sensitivity bias since even the smallest sonar return may be of interest to the user.



## USING THE WIDE PANORAMA INTERPRETING THE ON-SCREEN INFORMATION

Wave action also affects the bottom depiction. Remember that the information drawn is a distance measurement, so if the boat is moving up and down over flat bottom, the bottom depiction often appears in regular variations which match wave timing.

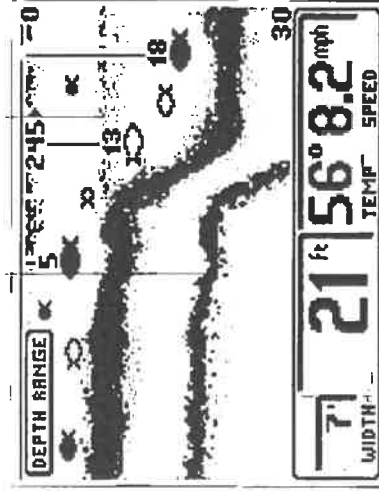


Structure is defined as any object physically attached to the bottom. The sonar configuration of the Wide Panorama is optimized to give the most accurate depiction of bottom structure possible. Grass, trees, stumps, wrecks or other debris are accurately displayed; however, the depiction of these objects varies with boat speed and direction. The best way to learn to interpret structure is to operate the Wide Panorama over a variety of known conditions and experiment with user functions to best represent those conditions on-screen.

## USING THE WIDE PANORAMA INTERPRETING THE ON-SCREEN INFORMATION

Sonar targets which are not physically attached to the bottom may take one of many shapes. Surface clutter is the layer of water near the surface which is rich in algae and other growth, and often is aerated by wind or wave action.

Thermocline  
Second Return



This area of water interferes with sonar transmission and often appears on-screen as regular clusters of individual dots near the "0" line. Thermoclines are sharp differences in water temperature. These are easily identified by the continuous nature of the return.

When a sonar signal is reflected off the bottom back to the transducer, there is often enough energy left in the signal to be reflected off the surface of the water back to the bottom a second time. Second returns appear as a slightly weaker bottom representation exactly twice the depth of the primary bottom return. The second return is most likely to occur in shallow water and in areas of relatively hard bottom.

The Wide Panorama uses advanced signal

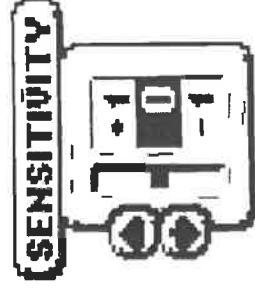
## USING THE WIDE PANORAMA CONTROL FUNCTIONS

The one menu option which functions differently than previously described is the Options menu. User Options is a group of functions which are used initially to select user preferences. The Options are not normally needed during operation of the unit. Options differ from the other menu functions in that once selected for viewing, the menu will not "time out"-all the user options must be sequenced through before returning to normal operation. See User Options for detailed description.

### Menu Functions

#### Sensitivity

The Sensitivity function controls the sensitivity of the sonar receiver. The Wide Panorama automatically adjusts the level of receiver sensitivity based on a number of factors including the depth of the water and the level of noise present. Noise can be caused by other electronic devices, engines, trolling motors, propeller cavitation and hydrodynamic flow among others.

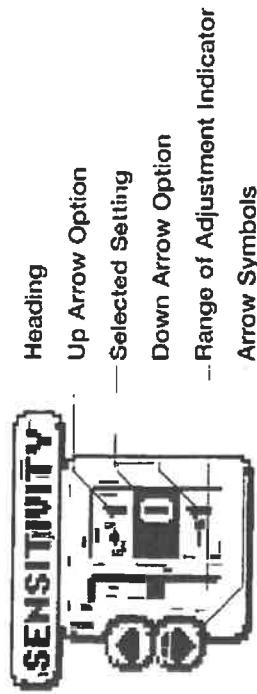


The user has the option of biasing this Sensitivity adjustment either higher or lower based on personal preference. You can select one of 11 sensitivity bias settings from -5 to +5. A bias

## USING THE WIDE PANORAMA CONTROL FUNCTIONS

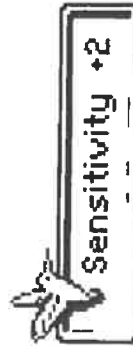
adjustment. In menus which have numerous possible settings such as depth range, a range of adjustment indicator shows the total range available and the current setting. Within the menu are the options available. The selected option or current setting is highlighted in the

Figure F



black box. If no adjustment is made, this will be the selected setting. Pressing one of the ARROW buttons while the menu is on-screen selects another option. After the adjustment is made, the menu will time out and go off-screen. A Bird Note™ will normally appear briefly to confirm the adjustment.

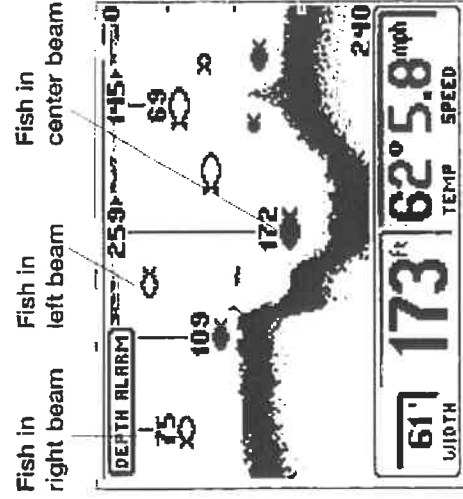
Bird Note™



Several of the menus are multi-step. In some situations if an adjustment is made, additional options become available for further adjustment. Examples of these multi-step menus are Depth Range, Depth Alarm and

## USING THE WIDE PANORAMA INTERPRETING THE ON-SCREEN INFORMATION

If the return meets certain additional criteria, a fish symbol will be assigned. There are three different size fish symbols used to indicate the intensity of the sonar return. While signal intensity is a good indicator of relative fish size, different species of fish have different sonar characteristics, so it is not always possible to distinguish fish size between varying species. The signal intensity is "normalized" for depth so that a small fish close to the boat does not appear as a large fish symbol. This Fish ID function can be turned off (see User Options) so the unit will display only "raw" information. This allows experienced users to make their own interpretation.



A further method of differentiation of fish symbols indicates which of the three sonar beams the fish is detected in. This gives you a reliable indicator of side to side location relative to boat movement. Fish symbols which are hollow are detected in the outside two beams. Hollow fish symbols facing to the right are detected in the right beam and therefore are to the right side of the boat (as viewed from the driver seat facing forward). Hollow fish symbols facing to the left are detected

## USING THE WIDE PANORAMA CONTROL FUNCTIONS

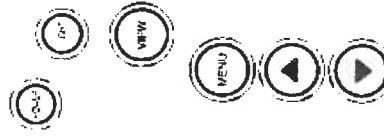
which are detected in the single center beam, and these fish are directly under the boat.

When the speed sensor is connected, ID++ adds additional information to help the user locate fish. On selected fish symbols, the digital depth of the designated fish is drawn to help locate the fish vertically. Some of these ID lines will be accompanied by a digital number at the 0 line. This number is the approximate distance of the fish from the boat. If the boat is moving, the number will increase over time to indicate the increasing distance from the boat. If the boat speed is increased or decreased, the distance number will be updated accordingly. This is especially helpful in setting bait depths or for downrigger operation.

## CONTROL FUNCTIONS

The Wide Panorama uses a simple 6-button keypad for all user input. When any button is pressed, an audible "chirp" confirms the control input. In the event that a particular button has no function or is inappropriate for the situation, an audible "error", or multiple chirps, will be heard.

POWER, powers the Wide Panorama up for normal operation. When the unit is on, POWER turns the unit off. POWER can also be used to go directly into Simulator mode. With the unit powered off, press and hold POWER for several



## USING THE WIDE PANORAMA CONTROL FUNCTIONS

function. Pressing that button will result in no adjustment and the "error" audible will be heard. A black ARROW symbol means that the corresponding ARROW button can be used to affect the menu adjustment.

The ARROW buttons often can be used when no menu is on-screen. In these situations, pressing the ARROW button affects the function of the active (last-used) menu. This is a short-cut to menu operation. An abbreviated menu appears on-screen while the adjustment is made and "times out". A frequently used menu can be adjusted very quickly using this technique.

After an adjustment is made to a menu function, the menu "times out" after several seconds and the unit returns to normal operation. The sequence in which the menus appear is adjusted by the order that the menus are used. The last menu used will always appear first. The second most recently used menu will appear second, etc. This "automatic sequencing" ensures that the most recently used menus will always appear first, and menus which have not recently been adjusted will appear later in the sequence.

All menus use the same basic layout as shown in Figure F. The heading at the top describes the menu function (see Control Functions for more

Abbreviated Menu



## USING THE WIDE PANORAMA CONTROL FUNCTIONS

are seldom used, these can be "hidden" from the normal menu sequence to simplify operation.

MENU brings a menu on-screen for adjustment. In normal operation, pressing MENU repeatedly will cycle through all available menus. A menu remains on-screen for several seconds allowing user adjustment by means of the ARROW keys. If no adjustment is made in the allotted time, the menu disappears. If you need the menu to remain on-screen longer to study the adjustment options, press and hold MENU to keep the menu on-screen indefinitely. Once you release the MENU button, the menu will time out.



Menu

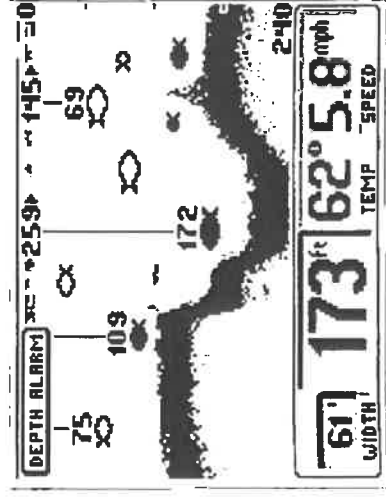
LIGHT controls the unit's 4-position display backlight as well as the keypad backlight. With the unit powered on, pressing LIGHT once will turn the backlight on "low". Pressing LIGHT a second time will increase the brightness of the backlight. The backlight is very effective for low-light and nighttime operation. When the backlight is on, the Wide Panorama will consume more power than with the backlight off. This is important when using the Wide Panorama in a portable configuration powered by a separate battery, or when powering the unit from a trolling motor battery.

At power-up, the display and keypad backlight will be on so the user can locate the controls in darkness. After a period of about 5 seconds, the light will power-off unless the LIGHT button is pressed. **NOTE: When powering the unit from a battery such as in portable applications, avoiding use of the backlight prolongs battery life.**

The VIEW button selects one of several screen configurations or "views" possible depending on the transducer in use. When using the standard (Tri-beam) transducer, the VIEW button toggles the display between the full-screen 2D View, Contour

## USING THE WIDE PANORAMA CONTROL FUNCTIONS

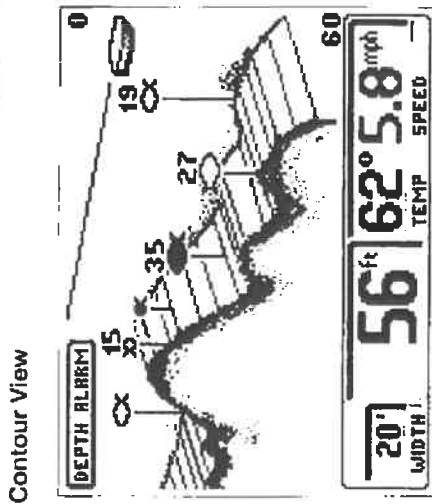
2D View



## USING THE WIDE PANORAMA CONTROL FUNCTIONS

The 2D View is the default view, and the view which is first seen at power-up. Pressing the VIEW button will select the Contour View. This view

graphically depicts the width of coverage of the bottom terrain. The boat icon represents the location of the user's boat relative to the on-screen information. The information on the far right side of the screen is the most current or the terrain directly beneath the boat.



The width of the bottom depiction represents the width of sonar coverage of the bottom terrain. Remember that only the 20 degree center beam is used to draw bottom information. The side beams cover a much greater area of the water. As the depth of the water increases, the width of bottom coverage increases also. The Contour View is also useful for clearly separating structure from the bottom. Information shown above the bottom depiction on the far side of the display represents structure or any return deemed not to be a part of the bottom. Information on the near side of the bottom depiction represents the texture and composition of the bottom.

## USING THE WIDE PANORAMA CONTROL FUNCTIONS

Fish ID attaches fish returns to the bottom at a point which represents the left-right location of the return. Fish targets identified in the left beam are attached to the left side of the bottom depiction, fish targets seen in the right beam are attached to the right side of the bottom depiction.

Pressing VIEW again will select the Monster Digits View, which increases the size of key digital information so that it can be viewed from a great distance. Normal 2D information is displayed on the right side of the display. Pressing VIEW again will toggle the display back to the 2D view.



If a Wide Side transducer is being used (see Using Alternative Transducers), the VIEW button is used to select one of four views available: Both, Left, Right, and Down. You can select "side" simulator to view this presentation even if a Wide Side transducer is not connected.

The three lower buttons, MENU, UP ARROW, and DOWN ARROW work together to control the Wide Panorama menu-controlled user