



## Positive lock mount

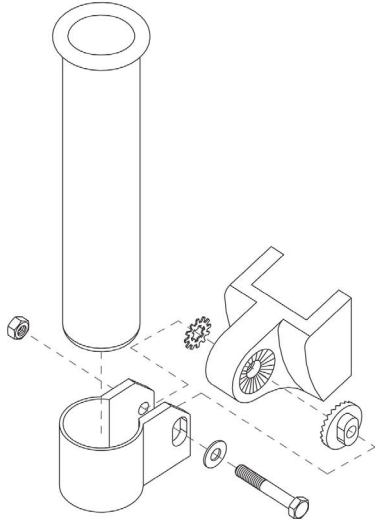
2450005

### Mounting the Rod Holder to a Downrigger:

The positive lock rod holder uses a clutch locking disk that allows the rod holder to be adjusted in 15° increments.

1. Slide the clamp to the desired position on tube. The angled shoulders should face up.
2. Place locking disk into recess of frame and slip the clamp arms in place. The obround hole on the clamp must mate to obround boss on disk.
3. Slide the star washer between the arm of the clamp and the frame.
4. Place the flat washer on the bolt and insert the bolt through the clamp as shown.
5. Attach the nut to tighten the clamp and fix the rod holder into position.

The rod holder can be repositioned by loosening the nut. You do not have to take it apart.



## rod holder mounting instructions

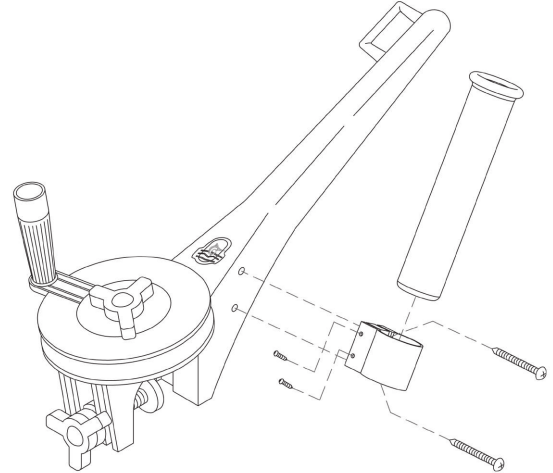
## Mini-troll™ mount

2250005

### Mounting the Rod Holder to the Mini-Troll Downrigger:

The Mini-Troll Accessory Kit has a clamp specifically designed for the Mini-Troll. The clamp is fastened to the frame the Mini-Troll at an optimal angle for ease of use for small downrigger fishing.

1. Locate the mounting holes molded into the right side of the frame ahead of the spool.
2. Fasten 1 of the #10x1-1/4" screws into the lower mounting hole on the frame. Leave 1/2 an inch exposed.
3. Place the clamp on by sliding the bottom slot onto the lower screw and then line up the upper slot of the clamp to the upper mounting hole.
4. Push the other #10x1-1/4" screw into the upper slot of the clamp to line it up with the mounting hole on the frame. Drive the screw into the frame.
5. Tighten both screws until the heads of the screws are recessed into the clamp.
6. Insert the tube into the clamp and secure with the 2 - #4x1/2" screws (see below).



## Positive lock mount

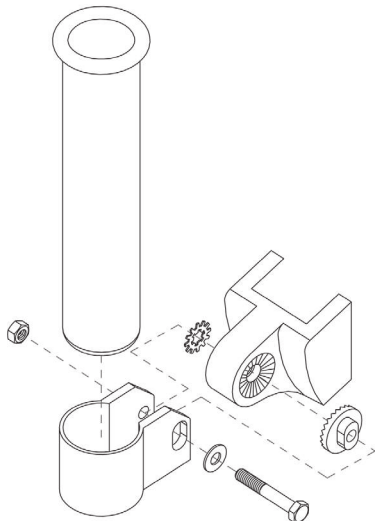
2450005

### Mounting the Rod Holder to a Downrigger:

The positive lock rod holder uses a clutch locking disk that allows the rod holder to be adjusted in 15° increments.

1. Slide the clamp to the desired position on tube. The angled shoulders should face up.
2. Place locking disk into recess of frame and slip the clamp arms in place. The obround hole on the clamp must mate to obround boss on disk.
3. Slide the star washer between the arm of the clamp and the frame.
4. Place the flat washer on the bolt and insert the bolt through the clamp as shown.
5. Attach the nut to tighten the clamp and fix the rod holder into position.

The rod holder can be repositioned by loosening the nut. You do not have to take it apart.



## rod holder mounting instructions

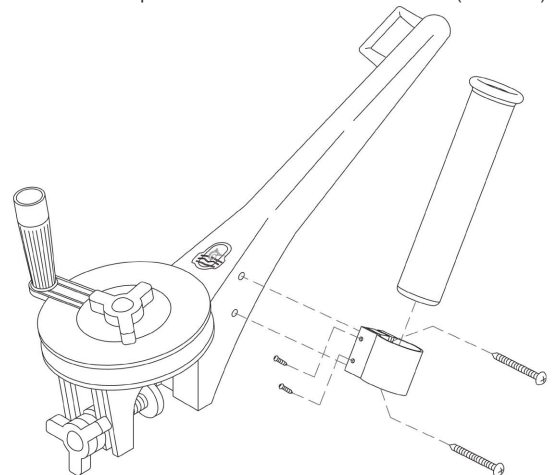
## Mini-troll™ mount

2250005

### Mounting the Rod Holder to the Mini-Troll Downrigger:

The Mini-Troll Accessory Kit has a clamp specifically designed for the Mini-Troll. The clamp is fastened to the frame the Mini-Troll at an optimal angle for ease of use for small downrigger fishing.

1. Locate the mounting holes molded into the right side of the frame ahead of the spool.
2. Fasten 1 of the #10x1-1/4" screws into the lower mounting hole on the frame. Leave 1/2 an inch exposed.
3. Place the clamp on by sliding the bottom slot onto the lower screw and then line up the upper slot of the clamp to the upper mounting hole.
4. Push the other #10x1-1/4" screw into the upper slot of the clamp to line it up with the mounting hole on the frame. Drive the screw into the frame.
5. Tighten both screws until the heads of the screws are recessed into the clamp.
6. Insert the tube into the clamp and secure with the 2 - #4x1/2" screws (see below).



## CANNON® LIMITED WARRANTY

Johnson Outdoors Inc. warrants to the original purchaser that the accompanying product (see exclusions below) is free from defects in material or workmanship for a period of one (1) year from the date of purchase. Within the warranty period, Johnson Outdoors Inc. will, at its option, either repair or replace same without charge (but no cash refunds will be made). The unit must be returned, prepaid and with proof of the date of purchase to the following:

- Johnson Outdoors, Inc Cannon Division, 121 Power Drive, Mankato, MN 56001

This limited warranty may be enforced only by the original purchaser; all subsequent purchasers acquire the product "as is" without any benefit of this limited warranty. Repair or replacement of the product as set forth in this limited warranty shall be the original purchaser's sole and exclusive remedy and Johnson Outdoors Inc.'s sole and exclusive liability for breach of this warranty.

### EXCLUSIONS

This warranty does not apply in the following circumstances:

- When the product has been connected, installed, combined, altered, adjusted, serviced, repaired, or handled in a manner other than according to the instructions furnished with the product
- When any defect, problem, loss, or damage has resulted from any accident, misuse, negligence, carelessness, or abnormal use, or from any failure to provide reasonable and necessary maintenance in accordance with the instructions of the owner's manual

### LIMITATION AND EXCLUSION OF IMPLIED WARRANTIES AND CERTAIN DAMAGES

THERE ARE NO EXPRESS WARRANTIES OTHER THAN THESE LIMITED WARRANTIES. JOHNSON OUTDOORS INC. DISCLAIMS LIABILITY FOR INCIDENTAL AND CONSEQUENTIAL DAMAGES, AND IN NO EVENT SHALL ANY IMPLIED WARRANTIES, INCLUDING ANY IMPLIED WARRANTY OF MERCHANTABILITY OR FITNESS FOR PARTICULAR PURPOSE, EXTEND BEYOND ONE YEAR FROM THE DATE OF PURCHASE. THIS WRITING CONSTITUTES THE ENTIRE AGREEMENT OF THE PARTIES WITH RESPECT TO THE SUBJECT MATTER HEREOF; NO WAIVER OR AMENDMENT SHALL BE VALID UNLESS IN WRITING SIGNED BY JOHNSON OUTDOORS INC.

Some states do not allow limitations on how long an implied warranty lasts or the exclusion or limitation of consequential damages, so the above limitation or exclusion may not apply to you. This warranty gives you specific legal rights, and you may also have other rights that vary from state to state.



Johnson Outdoors, Inc. / Cannon Division  
121 Power Drive, Mankato, MN 56001  
1-800-227-6433  
© 2007 Johnson Outdoors, Inc. All rights reserved.  
Made in the U.S.A.

**WARNING:** This product contains chemical(s) known to the state of California to cause cancer and/or reproductive toxicity.

Form No. 3397118 Rev D ECN 31809 11/09

## CANNON® LIMITED WARRANTY

Johnson Outdoors Inc. warrants to the original purchaser that the accompanying product (see exclusions below) is free from defects in material or workmanship for a period of one (1) year from the date of purchase. Within the warranty period, Johnson Outdoors Inc. will, at its option, either repair or replace same without charge (but no cash refunds will be made). The unit must be returned, prepaid and with proof of the date of purchase to the following:

- Johnson Outdoors, Inc Cannon Division, 121 Power Drive, Mankato, MN 56001

This limited warranty may be enforced only by the original purchaser; all subsequent purchasers acquire the product "as is" without any benefit of this limited warranty. Repair or replacement of the product as set forth in this limited warranty shall be the original purchaser's sole and exclusive remedy and Johnson Outdoors Inc.'s sole and exclusive liability for breach of this warranty.

### EXCLUSIONS

This warranty does not apply in the following circumstances:

- When the product has been connected, installed, combined, altered, adjusted, serviced, repaired, or handled in a manner other than according to the instructions furnished with the product
- When any defect, problem, loss, or damage has resulted from any accident, misuse, negligence, carelessness, or abnormal use, or from any failure to provide reasonable and necessary maintenance in accordance with the instructions of the owner's manual

### LIMITATION AND EXCLUSION OF IMPLIED WARRANTIES AND CERTAIN DAMAGES

THERE ARE NO EXPRESS WARRANTIES OTHER THAN THESE LIMITED WARRANTIES. JOHNSON OUTDOORS INC. DISCLAIMS LIABILITY FOR INCIDENTAL AND CONSEQUENTIAL DAMAGES, AND IN NO EVENT SHALL ANY IMPLIED WARRANTIES, INCLUDING ANY IMPLIED WARRANTY OF MERCHANTABILITY OR FITNESS FOR PARTICULAR PURPOSE, EXTEND BEYOND ONE YEAR FROM THE DATE OF PURCHASE. THIS WRITING CONSTITUTES THE ENTIRE AGREEMENT OF THE PARTIES WITH RESPECT TO THE SUBJECT MATTER HEREOF; NO WAIVER OR AMENDMENT SHALL BE VALID UNLESS IN WRITING SIGNED BY JOHNSON OUTDOORS INC.

Some states do not allow limitations on how long an implied warranty lasts or the exclusion or limitation of consequential damages, so the above limitation or exclusion may not apply to you. This warranty gives you specific legal rights, and you may also have other rights that vary from state to state.



Johnson Outdoors, Inc. / Cannon Division  
121 Power Drive, Mankato, MN 56001  
1-800-227-6433  
© 2007 Johnson Outdoors, Inc. All rights reserved.  
Made in the U.S.A.

**WARNING:** This product contains chemical(s) known to the state of California to cause cancer and/or reproductive toxicity.

Form No. 3397118 C