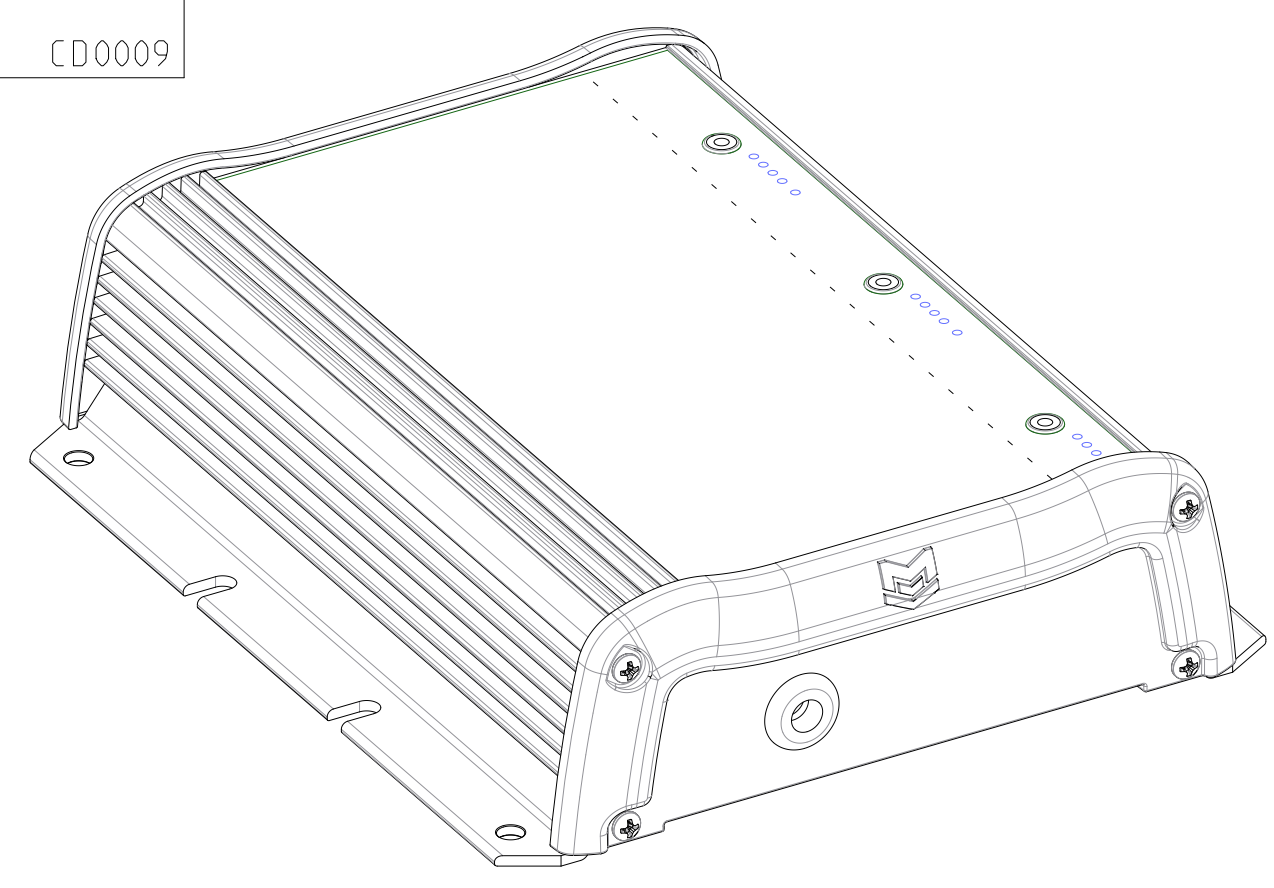
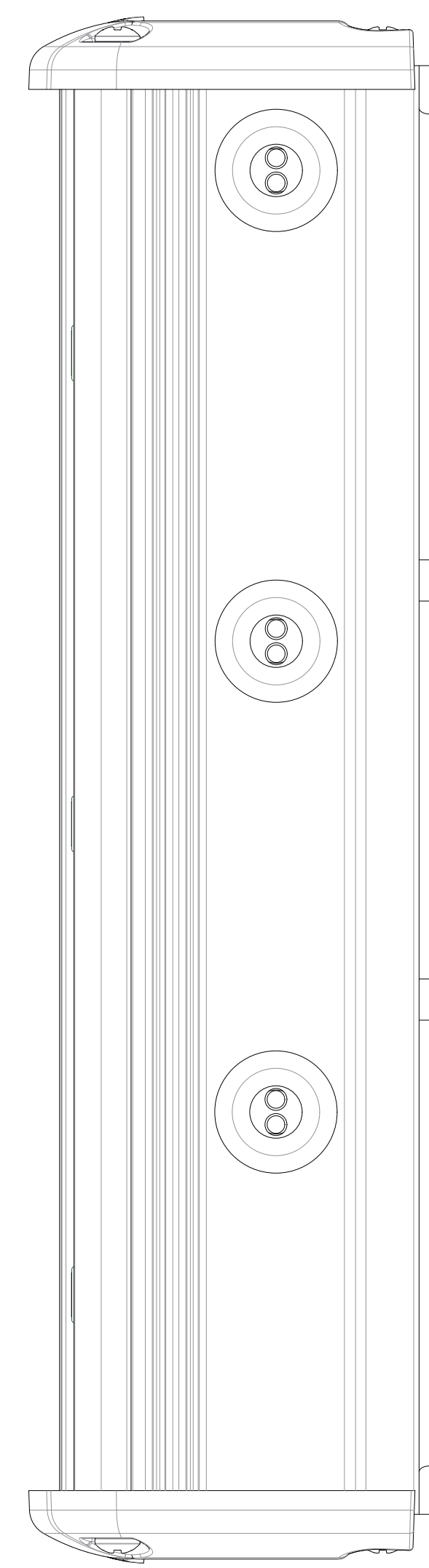
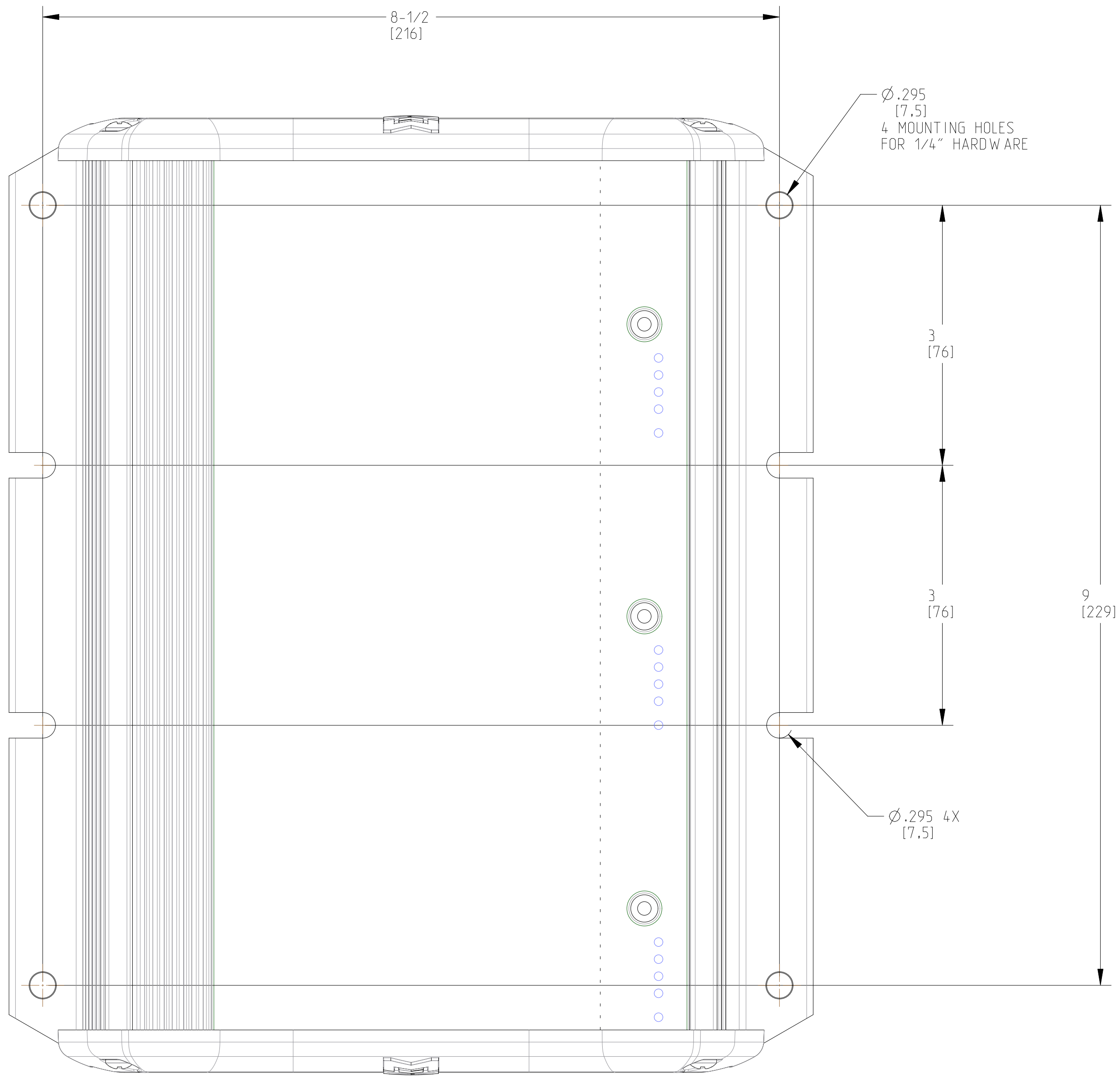


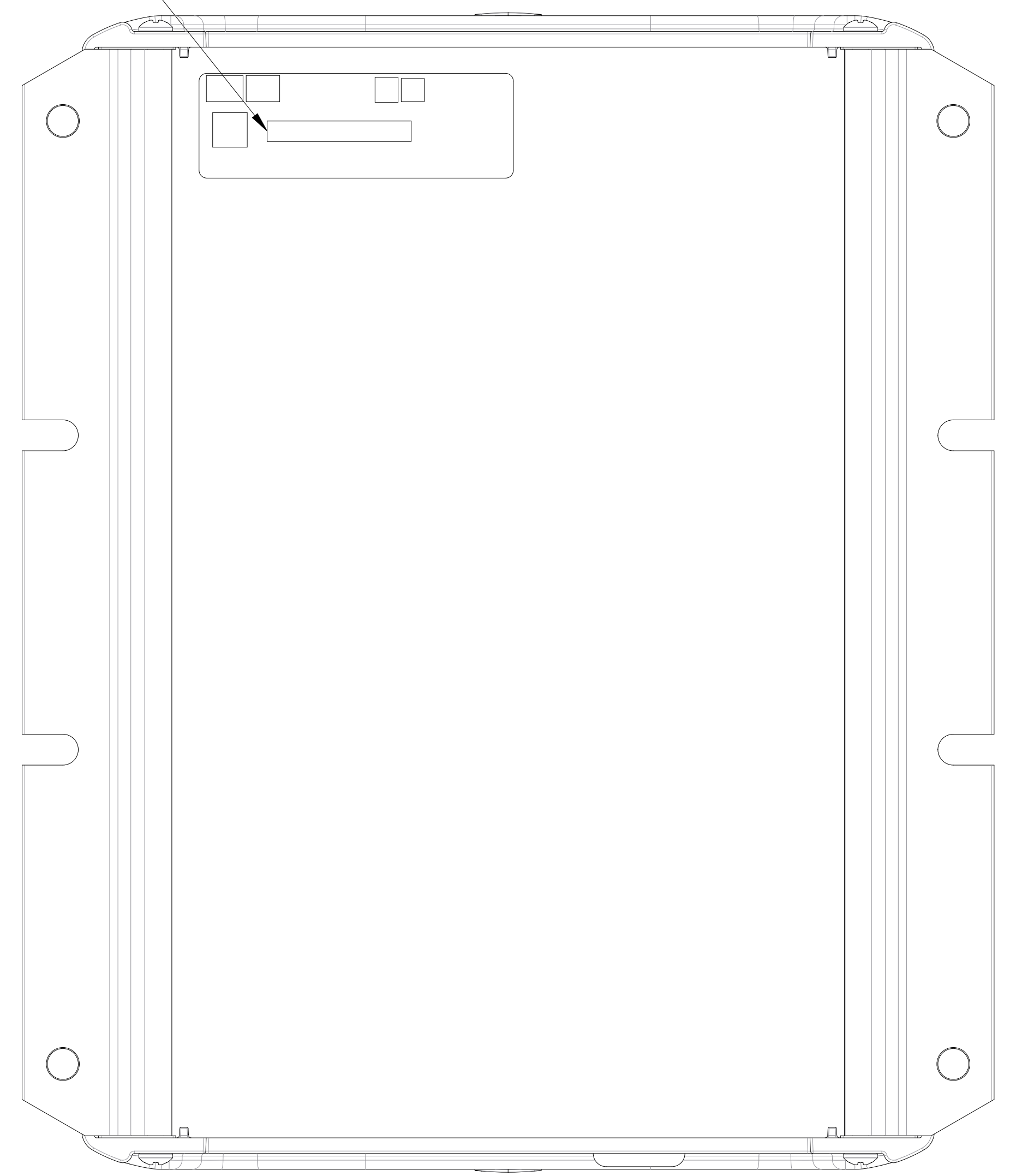
| REV. ECN NO. | | REVISIONS | BY | DATE |
|--------------|-------|---------------------------------|-----|-----------|
| A | 42647 | RELEASE FOR PRODUCTION | NMB | 11JAN2022 |
| B | 44387 | ADDED SERIAL NUMBER INFORMATION | NMB | 10NOV2023 |
| | | | | |
| | | | | |



SCALE 0.500



"M" IN SERIAL NUMBER
EX. 23001M00001



CUSTOMER DRAWING

JOHNSON OUTDOORS
MARINE ELECTRONICS, INC.

DRAWING NAME: MK345PCL CHARGER

DRAWING NO: CD0009

SHEET 1 OF 2

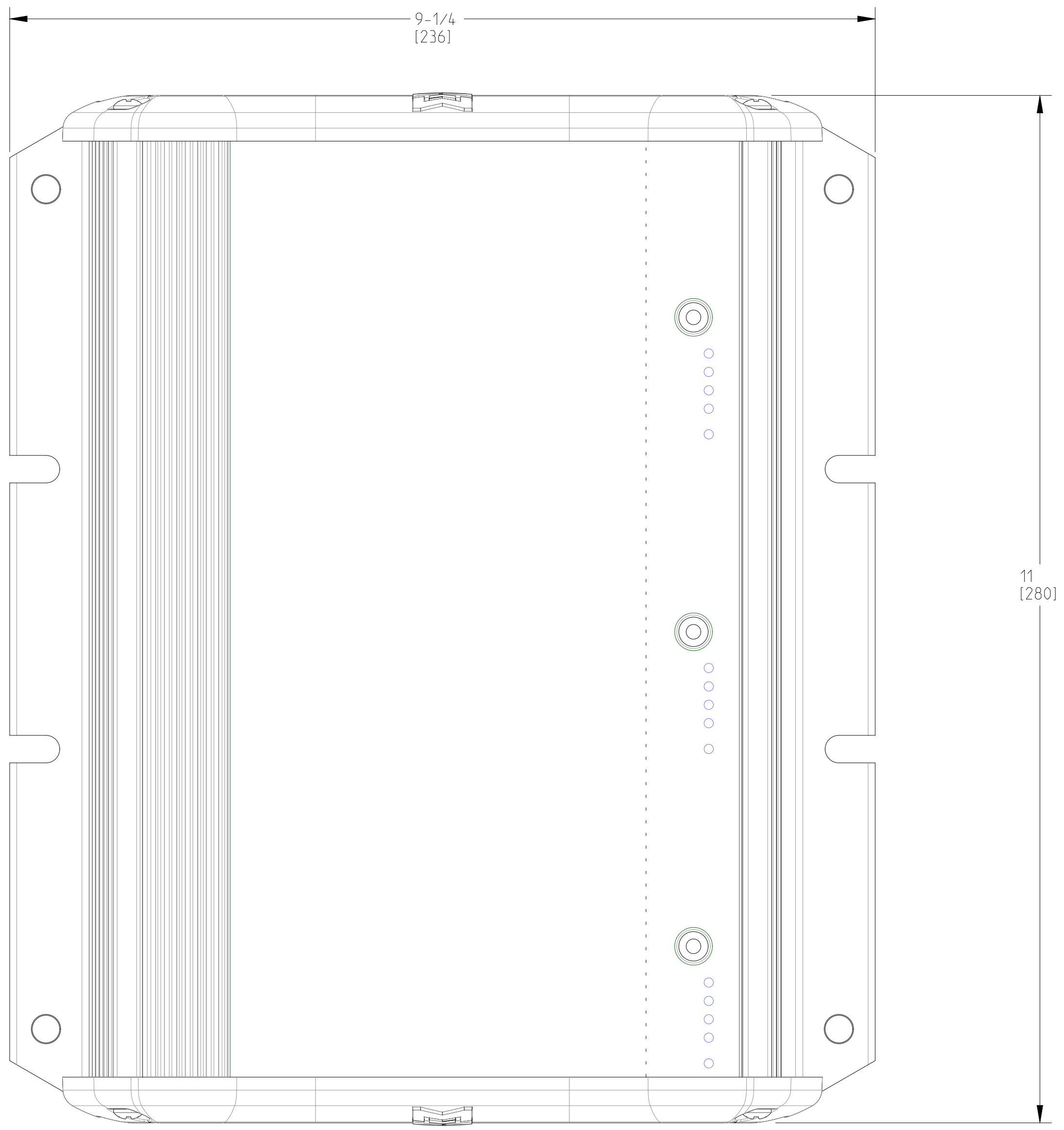
U/A: IN. (MM)

REV: B

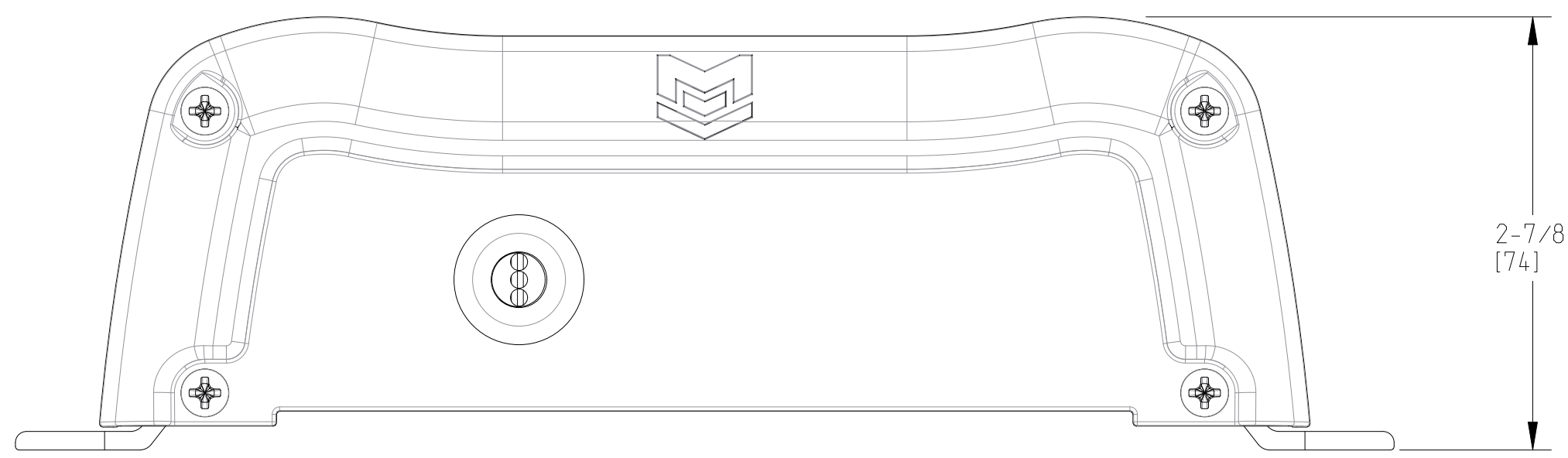
D SIZE

CAUTION: ALWAYS WEAR SAFETY GLASSES AND GLOVES. DISCONNECT ALL POWER BEFORE BEGINNING ANY WORK OR MAINTENANCE. JOHNSON OUTDOORS, INC. IS NOT RESPONSIBLE FOR ANY DAMAGE DUE TO IMPROPER RIGGING OR INSTALLATION. IF YOU DO NOT HAVE THE SKILLS, EXPERIENCE AND TOOLS TO PERFORM THE FOLLOWING MAINTENANCE AND REPAIRS, WE RECOMMEND YOU SEEK THE HELP OF AN AUTHORIZED SERVICE CENTER. OR CONTACT OUR TECHNICAL SERVICE DEPARTMENT BY DIALING 800-227-6433.

| REVISIONS | | | | |
|-----------|---------|-------------|----|------|
| REV. | ECN NO. | DESCRIPTION | BY | DATE |
| | | SEE SHEET 1 | | |
| | | | | |
| | | | | |
| | | | | |



MAINTAIN SIX INCHES OF CLEARANCE ON ALL SIDES OF CHARGER FOR PROPER AIR CIRULATION AND COOLING



CAUTION: ALWAYS WEAR SAFETY GLASSES AND GLOVES. DISCONNECT ALL POWER BEFORE BEGINNING ANY WORK OR MAINTENANCE. JOHNSON OUTDOORS INC. IS NOT RESPONSIBLE FOR ANY DAMAGE DUE TO IMPROPER RIGGING OR INSTALLATION. IF YOU DO NOT HAVE THE SKILLS, EXPERIENCE AND TOOLS TO PERFORM THE FOLLOWING MAINTENANCE AND REPAIRS, WE RECOMMEND YOU SEEK THE HELP OF AN AUTHORIZED SERVICE CENTER. OR CONTACT OUR TECHNICAL SERVICE DEPARTMENT BY DIALING 800-227-6433.

| | | | |
|--|------------------|------|------|
| CUSTOMER DRAWING | | | |
| JOHNSON OUTDOORS MARINE ELECTRONICS, INC. | | | |
| DRAWING NAME: | MK345PCL CHARGER | D | size |
| DRAWING NO.: | CD0009 | REV: | B |
| SHEET 2 OF 2 | U/A: | IN: | (MM) |