

RIPTIDE[®] TRANSOM

TRANSOM-MOUNT TROLLING MOTOR

User Manual

INTRODUCTION

THANK YOU

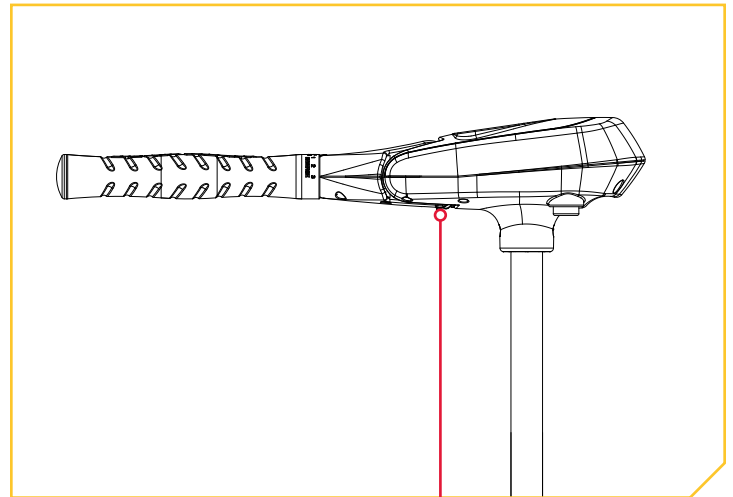
Thank you for choosing Minn Kota. We believe that you should spend more time fishing and less time positioning your boat. That's why we build the smartest, toughest, most intuitive trolling motors on the water. Every aspect of a Minn Kota trolling motor is thought out and rethought until it's good enough to bear our name. Countless hours of research and testing provide you the Minn Kota advantage that can truly take you "Anywhere. Anytime." We don't believe in shortcuts. We are Minn Kota. And we are never done helping you catch more fish.

REGISTRATION

Remember to keep your receipt and immediately register your trolling motor. A registration card is included with your motor or you can complete registration on our website at minnkotamotors.com.

SERIAL NUMBER

Your Minn Kota 11-character serial number is very important. It helps to determine the specific model and year of manufacture. When contacting Consumer Service or registering your product, you will need to know your product's serial number. We recommend that you write the serial number down so that you have it available for future reference.



NOTICE: The serial number on your Riptide Transom is located under the tiller handle.

MOTOR INFORMATION (For Consumer Reference Only)

Model: _____

Serial Number: _____

Purchase Date: _____

Store Where Purchased: _____

NOTICE: Do not return your Minn Kota motor to your retailer. Your retailer is not authorized to repair or replace this unit. You may obtain service by: calling Minn Kota at (800) 227-6433; returning your motor to the Minn Kota Factory Service Center; sending or taking your motor to any Minn Kota authorized service center. A list of authorized service centers is available on our website, at minnkotamotors.com. Please include proof of purchase, serial number and purchase date for warranty service with any of the above options.

TABLE OF CONTENTS

SAFETY CONSIDERATIONS	4
TWO-YEAR LIMITED WARRANTY	5
KNOW YOUR BOAT	6
FEATURES	7
INSTALLATION	8
Motor Installation	8
BATTERY & WIRING INSTALLATION	9
Boat Rigging & Product Installation.....	9
Conductor Gauge and Circuit Breaker Sizing Table	9
Selecting the Correct Batteries.....	10
Additional Considerations.....	10
Connecting the Batteries.....	11
Connecting the Batteries in Series	12
MOTOR WIRING DIAGRAM	14
USING & ADJUSTING THE MOTOR	15
Stowing and Deploying the Motor	15
Additional Adjustments.....	16
Adjusting the Depth of the Motor	16
Adjusting the Steering.....	17
Adjusting the Tilt Twist Tiller™	17
Controlling Speed & Steering with the Tiller	18
Adjusting the Bracket	18
Push-to-Test Battery Meter	19
SERVICE & MAINTENANCE	20
Propeller Replacement.....	20
General Maintenance	21
Troubleshooting	21
For Further Troubleshooting and Repair	22
COMPLIANCE STATEMENTS	23
PARTS DIAGRAM & PARTS LIST	25

SAFETY CONSIDERATIONS

Please thoroughly read the user manual. Follow all instructions and heed all safety and cautionary notices. Use of this motor is only permitted for persons that have read and understood these user instructions. Minors may use this motor only under adult supervision.

WARNING

You are responsible for the safe and prudent operation of your vessel. We have designed your Minn Kota product to be an accurate and reliable tool that will enhance boat operation and improve your ability to catch fish. This product does not relieve you from the responsibility for safe operation of your boat. You must avoid hazards to navigation and always maintain a permanent watch so you can respond to situations as they develop. You must always be prepared to regain manual control of your boat. Learn to operate your Minn Kota product in an area free from hazards and obstacles.

WARNING

Never run the motor out of the water, as this may result in injuries from the rotating propeller. The motor should be disconnected from the power source when it is not in use or is off the water. When connecting the power-supply cables of the motor to the battery, ensure that they are not kinked or subject to chafe and route them in such a way that persons cannot trip over them. Before using the motor make sure that the insulation of the power cables is not damaged. Disregarding these safety precautions may result in electric shorts of battery(s) and/or motor. Always disconnect motor from battery(s) before cleaning or checking the propeller. Avoid submerging the complete motor as water may enter the lower unit through control head and shaft. If the motor is used while water is present in the lower unit considerable damage to the motor can occur. This damage will not be covered by warranty.

WARNING

Take care that neither you nor other persons approach the turning propeller too closely, neither with body parts nor with objects. The motor is powerful and may endanger or injure you or others. While the motor is running watch out for persons swimming and for floating objects. Persons who lack the ability to run the motor or whose reactions are impaired by alcohol, drugs, medication, or other substances are not permitted to use this motor. This motor is not suitable for use in strong currents. The constant noise pressure level of the motor during use is less than 70dB(A). The overall vibration level does not exceed 2,5 m/sec².

WARNING

When stowing or deploying the motor, keep fingers clear of all hinge and pivot points and all moving parts. In the event of unexpected operation, remove power leads from the battery.

WARNING

It is recommended to only use Johnson Outdoors approved accessories with your Minn Kota motor. Using non-approved accessories including to mount or control your motor may cause damage, unexpected motor operation and injury. Be sure to use the product and approved accessories, including remotes, safely and in the manner directed to avoid accidental or unexpected motor operation. Keep all factory installed parts in place including motor and accessory covers, enclosures and guards.

WARRANTY

WARRANTY ON MINN KOTA SALTWATER TROLLING MOTORS

Johnson Outdoors Marine Electronics, Inc. ("JOME") extends the following limited warranty to the original retail purchaser only. Warranty coverage is not transferable.

Minn Kota Limited Two-Year Warranty on the Entire Product

JOME warrants to the original retail purchaser only that the purchaser's new Minn Kota saltwater trolling motor will be materially free from defects in materials and workmanship appearing within two (2) years after the date of purchase. JOME will (at its option) either repair or replace, free of charge, any parts found by JOME to be defective during the term of this warranty. Such repair, or replacement shall be the sole and exclusive liability of JOME and the sole and exclusive remedy of the purchaser for breach of this warranty.

Minn Kota Limited Lifetime Warranty on Composite Shaft

JOME warrants to the original retail purchaser only that the composite shaft of the purchaser's Minn Kota trolling motor will be materially free from defects in materials and workmanship appearing within the original purchaser's lifetime. JOME will provide a new composite shaft, free of charge, to replace any composite shaft found by JOME to be defective during the term of this warranty. Providing a new composite shaft shall be the sole and exclusive liability of JOME and the sole and exclusive remedy of the purchaser for breach of this warranty; **and purchaser shall be responsible for installing, or for the cost of labor to install, any new composite shaft provided by JOME.**

Exclusions & Limitations

This limited warranty does not apply to products that have been used commercially or for rental purposes. This limited warranty does not cover normal wear and tear, blemishes that do not affect the operation of the product, or damage caused by accidents, abuse, alteration, modification, shipping damages, negligence of the user or misuse, improper or insufficient care or maintenance. **DAMAGE CAUSED BY THE USE OF OTHER REPLACEMENT PARTS NOT MEETING THE DESIGN SPECIFICATIONS OF THE ORIGINAL PARTS WILL NOT BE COVERED BY THIS LIMITED WARRANTY.** The cost of normal maintenance or replacement parts which are not in breach of the limited warranty are the responsibility of the purchaser. Prior to using products, the purchaser shall determine the suitability of the products for the intended use and assumes all related risk and liability. Any assistance JOME provides to or procures for the purchaser outside the terms, limitations or exclusions of this limited warranty will not constitute a waiver of the terms, limitations or exclusions, nor will such assistance extend or revive the warranty. JOME will not reimburse the purchaser for any expenses incurred by the purchaser in repairing, correcting or replacing any defective products or parts, except those incurred with JOME's prior written permission. **JOME'S AGGREGATE LIABILITY WITH RESPECT TO COVERED PRODUCTS IS LIMITED TO AN AMOUNT EQUAL TO THE PURCHASER'S ORIGINAL PURCHASE PRICE PAID FOR SUCH PRODUCT.**

Minn Kota Service Information

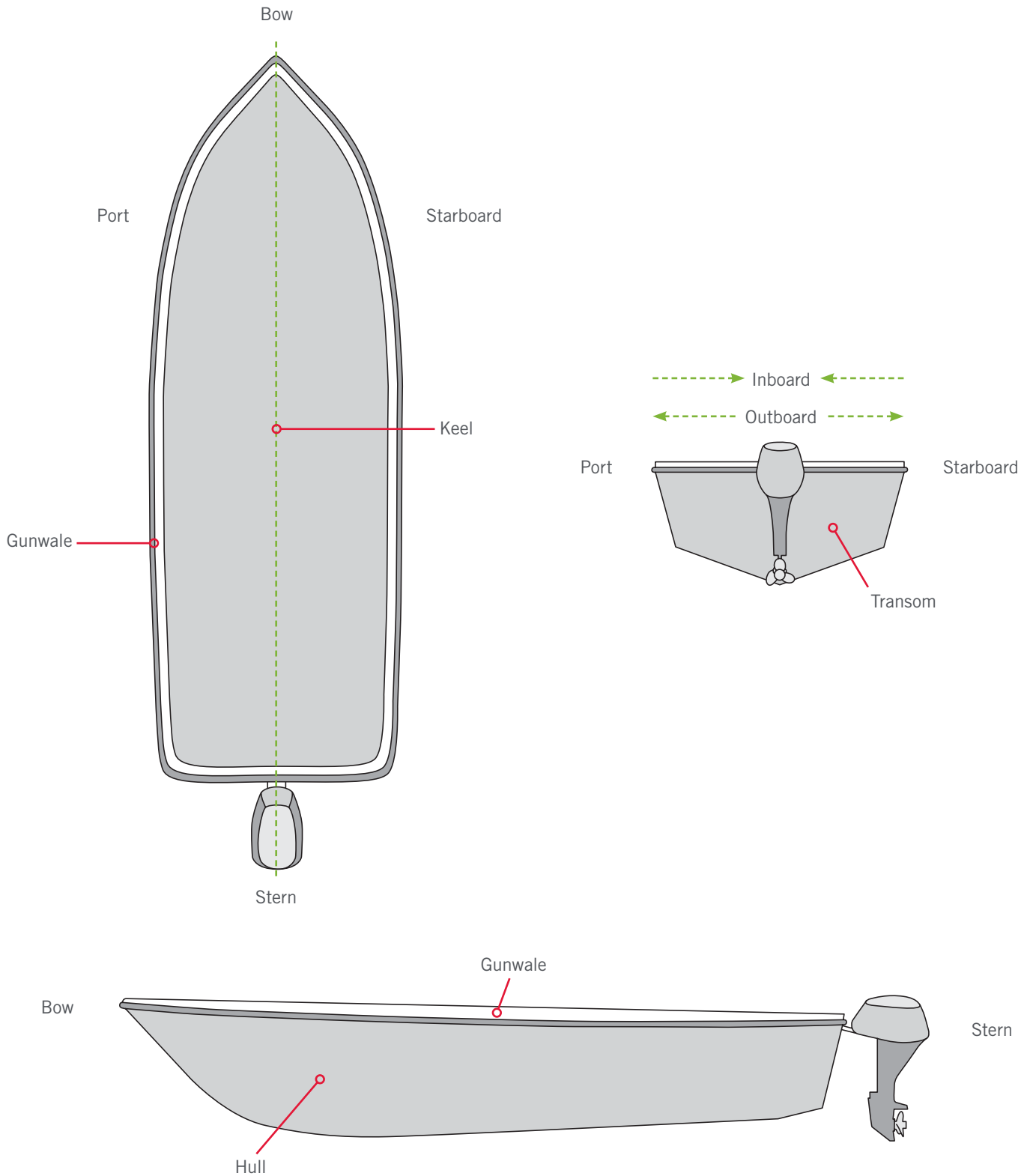
To obtain warranty service in the U.S., the product believed to be defective, and proof of original purchase (including the date of purchase), must be presented to a Minn Kota Authorized Service Center or to Minn Kota's factory service center in Mankato, MN. Any charges incurred for service calls, transportation or shipping/freight to/from the Minn Kota Authorized Service Center or factory, labor to haul out, remove, re-install or re-rig products removed for warranty service, or any other similar items are the sole and exclusive responsibility of the purchaser. Products purchased outside of the U.S. must be returned prepaid with proof of purchase (including the date of purchase and serial number) to any Authorized Minn Kota Service Center in the country of purchase. Warranty service can be arranged by contacting a Minn Kota Authorized Service Center or by contacting the factory at 1-800-227-6433 or email service@minnkotamotors.com. **Products repaired or replaced will be warranted for the remainder of the original warranty period [or for 90 days from the date of repair or replacement, whichever is longer]. For any product that is returned for warranty service that JOME finds to be not covered by or not in breach of this limited warranty, there will be a billing for services rendered at the prevailing posted labor rate and for a minimum of at least one hour.**

NOTICE: Do not return your Minn Kota product to your retailer. Your retailer is not authorized to repair or replace products.

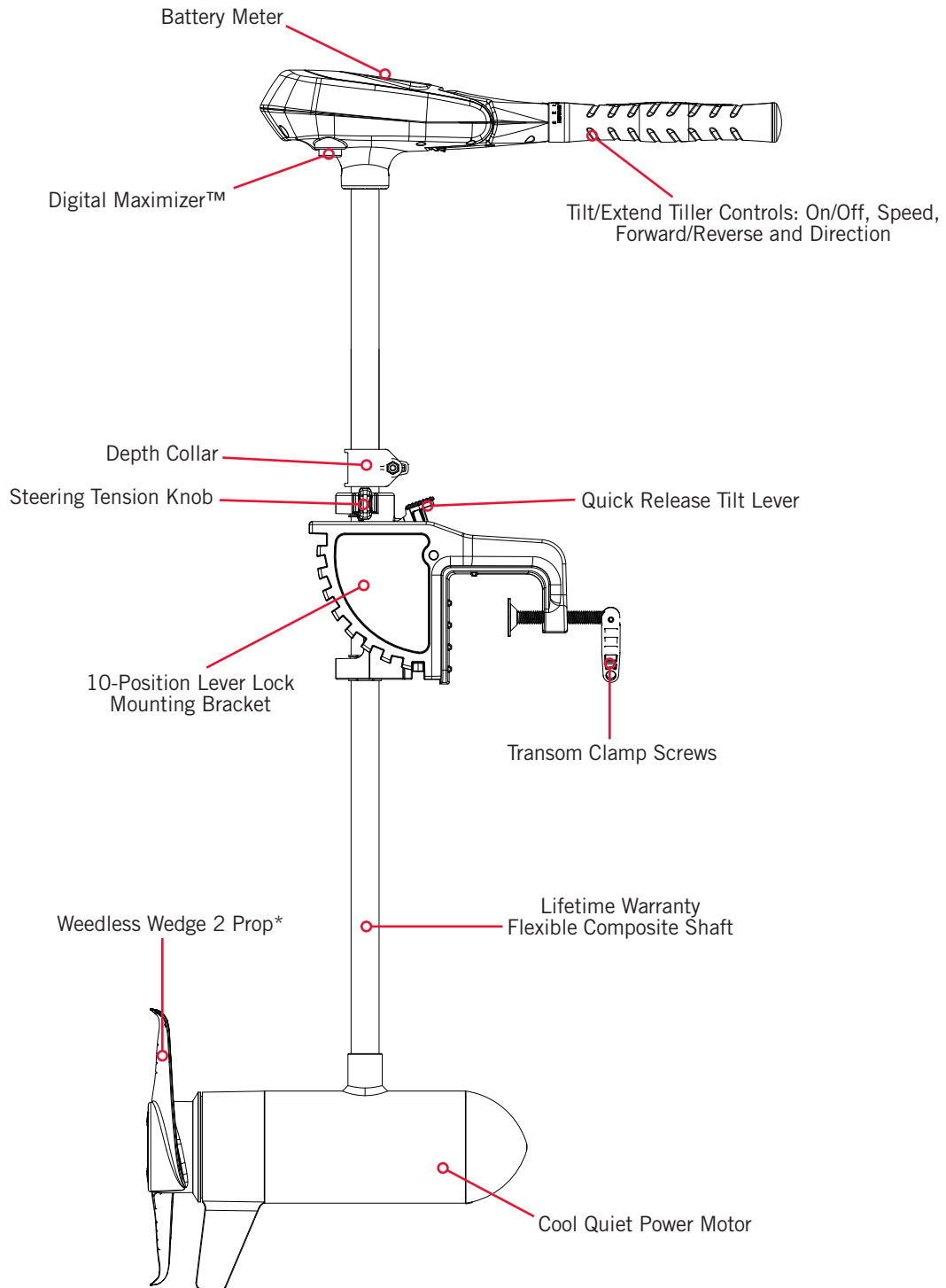
NOTICE: THERE ARE NO EXPRESS WARRANTIES OTHER THAN THESE LIMITED WARRANTIES. IN NO EVENT SHALL ANY IMPLIED WARRANTIES INCLUDING ANY IMPLIED WARRANTIES OF MERCHANTABILITY OR FITNESS FOR PARTICULAR PURPOSE, EXTEND BEYOND THE DURATION OF THE RELEVANT EXPRESS LIMITED WARRANTY. IN NO EVENT SHALL JOME BE LIABLE FOR PUNITIVE, INDIRECT, INCIDENTAL, CONSEQUENTIAL OR SPECIAL DAMAGES. Without limiting the foregoing, JOME assumes no responsibility for loss of use of product, loss of time, inconvenience or other damage.

Some states do not allow limitations on how long an implied warranty lasts or the exclusion or limitation of incidental or consequential damages, so the above limitations and/or exclusions may not apply to you. This warranty gives you specific legal rights and you may also have other legal rights which vary from state to state.

KNOW YOUR BOAT



FEATURES



NOTICE: Specifications subject to change without notice. This diagram is for reference only and may differ from your actual motor.

INSTALLATION

› Motor Installation

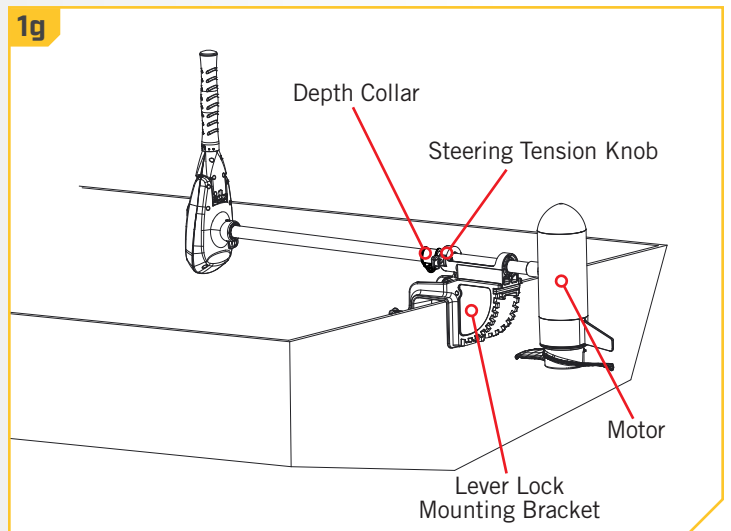
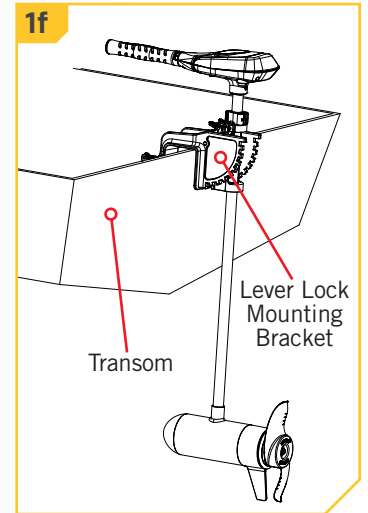
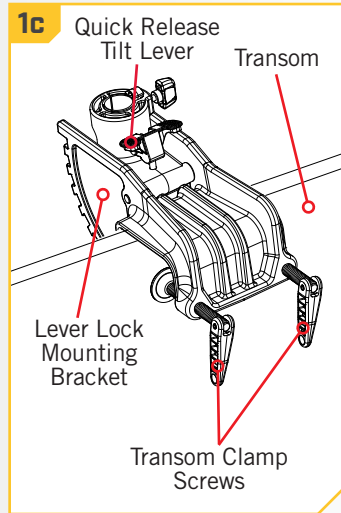
1

- a. Find a transom area of the boat that is free from obstructions.
- b. Open the Transom Clamp Screws on the bracket enough so that it will fit over the top of the boat transom.
- c. Place the Lever Lock Mounting Bracket over the top of the boat transom so that the bracket is resting on top of the transom.
- d. Verify that there are no obstacles that the control box, handle, or prop might hit while in use, or when stowed, that would restrict steering or cause damage to the motor.
- e. Tighten down the Transom Clamp Screws to the transom by hand only. Do not use any tools to tighten the clamp screws as this may damage the bracket or your boat.

⚠ CAUTION

Over-tightening the Transom Clamp Screws can damage the bracket. Damage to the bracket will prevent the motor from being securely mounted to the transom. Prevent damage to the bracket by not over-tightening it. Only tighten by hand.

- f. We recommend the tilt angle of the motor to be adjusted so that the motor shaft is perpendicular to the water surface when the motor is in use.
- g. For transport, always tilt the motor into the boat, such that the motor and prop assembly are completely out of the water and the motor is positioned up close to the Lever Lock Mounting Bracket.



NOTICE: This motor weighs approximately 30 lbs. We recommend having a second person help with the installation.

⚠ WARNING

When the motor is being transported, on water or land, it is important to place the motor completely out of water. The motor should be positioned up close to the Lever Lock Mounting Bracket. Always secure the Steering Tension Knob and slide the Depth Collar down to the top of the Steering Tension Knob and tighten the Adjustable Depth Collar Knob for added security during transport. This provides a secure stow and holds the motor in place during transportation when it is subject to high levels of shock and vibration. Failure to secure the motor may result in injury or damage to the unit.

BATTERY & WIRING INSTALLATION

BOAT RIGGING & PRODUCT INSTALLATION

For safety and compliance reasons, we recommend that you follow American Boat and Yacht Council (ABYC) standards when rigging your boat. Altering boat wiring should be completed by a qualified marine technician. The following specifications are for general guidelines only:

CAUTION

These guidelines apply to general rigging to support your Minn Kota motor. Powering multiple motors or additional electrical devices from the same power circuit may impact the recommended conductor gauge and circuit breaker size. If you are using wire longer than that provided with your unit, follow the conductor gauge and circuit breaker sizing table below. If your wire extension length is more than 25 feet, we recommend that you contact a qualified marine technician.

CAUTION

An over-current protection device (circuit breaker or fuse) must be used. Coast Guard requirements dictate that each ungrounded current-carrying conductor must be protected by a manually reset, trip-free circuit breaker or fuse. The type (voltage and current rating) of the fuse or circuit breaker must be sized accordingly to the trolling motor used. The table below gives recommended guidelines for circuit breaker sizing.

CONDUCTOR GAUGE AND CIRCUIT BREAKER SIZING TABLE

This conductor and circuit breaker sizing table is only valid for the following assumptions:

1. No more than 2 conductors are bundled together inside of a sheath or conduit outside of engine spaces.
2. Each conductor has 105° C temp rated insulation.
3. No more than 5% voltage drop allowed at full motor power based on published product power requirements.

Motor Thrust / Model	Max Amp Draw	Circuit Breaker	Wire Extension Length				
			5 feet	10 feet	15 feet	20 feet	25 feet
30 lb.	30	50 Amp @ 12 VDC	10 AWG	10 AWG	8 AWG	6 AWG	4 AWG
40 lb., 45 lb.	42		10 AWG	8 AWG	6 AWG	4 AWG	4 AWG
50 lb., 55 lb.	50	60 Amp @ 12 VDC	8 AWG	6 AWG	4 AWG	4 AWG	2 AWG
70 lb.	42	50 Amp @ 24 VDC	10 AWG	10 AWG	8 AWG	8 AWG	6 AWG
80 lb.	56	60 Amp @ 24 VDC	8 AWG	8 AWG	8 AWG	6 AWG	6 AWG
101 lb.	46	50 Amp @ 36 VDC	8 AWG	8 AWG	8 AWG	8 AWG	8 AWG
Engine Mount 101	50	60 Amp @ 36 VDC	8 AWG	8 AWG	8 AWG	8 AWG	8 AWG
112 lb.	52	60 Amp @ 36 VDC	8 AWG	8 AWG	8 AWG	8 AWG	8 AWG
Engine Mount 160	116	(2) x 60 Amp @ 24 VDC	6 AWG	6 AWG	4 AWG	2 AWG	2 AWG
E-Drive	40	50 Amp @ 48 VDC	10 AWG	10 AWG	10 AWG	10 AWG	10 AWG

NOTICE: Wire Extension Length refers to the distance from the batteries to the trolling motor leads. Consult website for available thrust options. Maximum Amp Draw values only occur intermittently during select conditions and should not be used as continuous amp load ratings.

Reference

United States Code of Federal Regulations: 33 CFR 183 – Boats and Associated Equipment ABYC E-11: AC and DC Electrical Systems on Boats

SELECTING THE CORRECT BATTERIES



SELECTING THE CORRECT BATTERIES

The motor will operate with any lead acid, deep cycle marine 12 volt battery/batteries. For best results, use a deep cycle, marine battery with at least a 105 amp-hour rating. Maintain battery at full charge. Proper care will ensure having battery power when you need it, and will significantly improve the battery life. Failure to recharge lead-acid batteries (within 12-24 hours) is the leading cause of premature battery failure. Use a multi-stage charger to avoid overcharging. We offer a wide selection of chargers to fit your charging needs. If you are using a crank battery to start a gasoline outboard, we recommend that you use a separate deep cycle marine battery/batteries for your Minn Kota trolling motor. For more information on battery selection and rigging, please visit minnkotamotors.com.

WARNING

Never connect the (+) and the (-) terminals of the same battery together. Take care that no metal object can fall onto the battery and short the terminals. This would immediately lead to a short and extreme fire danger.

CAUTION

Refer to “Conductor Gauge and Circuit Breaker Sizing Table” in the previous section to find the appropriate circuit breaker or fuse for your motor. For motors requiring a 60-amp breaker, the Minn Kota MKR-19 60-amp circuit breaker is recommended.

CAUTION

Please read the following information before connecting your motor to your batteries in order to avoid damaging your motor and/or voiding your warranty.

ADDITIONAL CONSIDERATIONS

› Using DC or Alternator Chargers

Your Minn Kota trolling motor may be designed with an internal bonding wire to reduce sonar interference. Most alternator charging systems do not account for this bonding wire, and connect the negative posts of the trolling motor batteries to the negative posts of the crank/starting battery. These external connections can damage connected electronics and the electrical system of your trolling motor, voiding your warranty. Review your charger’s manual carefully or consult the manufacturer prior to use to ensure your charger is compatible.

Minn Kota recommends using Minn Kota brand chargers to recharge the batteries connected to your Minn Kota trolling motor, as they have been engineered to work with motors that include a bonding wire.

› Additional Accessories Connected to Trolling Motor Batteries

Significant damage to your Minn Kota motor, your boat electronics, and your boat can occur if incorrect connections are made between your trolling motor batteries and other battery systems. Minn Kota recommends using an exclusive battery system for your trolling motor. Where possible, accessories should be connected to a separate battery system. Radios and sonar units should not be connected to any trolling motor battery systems as interference from the trolling motor is unavoidable. If connecting any additional accessories to any trolling motor battery system, or making connections between the trolling motor batteries and other battery systems on the boat, be sure to carefully observe the information below.



CONNECTING THE BATTERIES

////////////////////////////////////

The negative (-) connection must be connected to the negative terminal of the same battery that the trolling motor negative lead connects to. In the diagrams below this battery is labeled “Low Side” Battery. Connecting to any other trolling motor battery will input positive voltage into the “ground” of that accessory, which can cause excess corrosion. Any damage caused by incorrect connections between battery systems will not be covered under warranty.

› Automatic Jump Start Systems and Selector Switches

Automatic jump start systems and selector switches tie the negatives of the connected batteries together. Connecting these systems to the “High Side” Battery or “Middle” Battery in the diagrams below and will cause significant damage to your trolling motor and electronics. The only trolling motor battery that is safe to connect to one of these systems is the “Low Side” Battery.

CONNECTING THE BATTERIES

› 12 Volt Systems

1. Make sure that the motor is switched off (speed selector on “OFF” or “0”).
2. Connect positive (+) red lead to positive (+) battery terminal.
3. Connect negative (-) black lead to negative (-) battery terminal.

WARNING

For safety reasons do not switch the motor on until the propeller is in the water. If installing a leadwire plug, observe proper polarity and follow instructions in your boat owner’s manual.

WARNING

- For safety reasons, disconnect the motor from the battery or batteries when the motor is not in use or while the battery/batteries are being charged.
- Improper wiring of 24/36 volt systems could cause battery explosion.
- Keep leadwire wing nut connections tight and solid to battery terminals.
- Locate battery in a ventilated compartment.

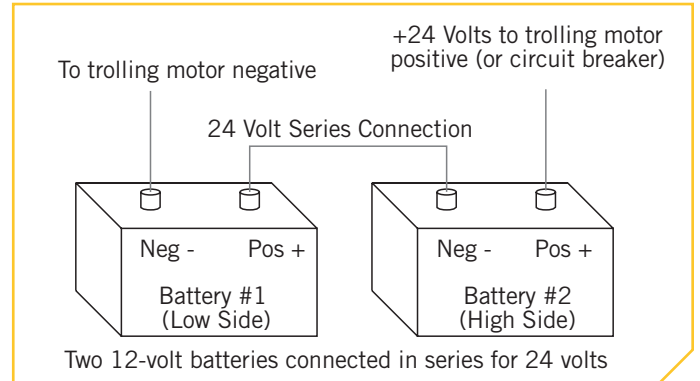
CONNECTING THE BATTERIES IN SERIES

CONNECTING THE BATTERIES IN SERIES (IF REQUIRED FOR YOUR MOTOR)

› 24 Volt Systems

Two 12 volt batteries are required. The batteries must be wired in series, only as directed in wiring diagram, to provide 24 volts.

1. Make sure that the motor is switched off (speed selector on "0").
2. Connect a connector cable to the positive (+) terminal of battery 1 and to the negative (-) terminal of battery 2.
3. Connect positive (+) red motor lead to positive (+) terminal on battery 2.
4. Connect negative (-) black motor lead to negative (-) terminal of battery 1.



WARNING

For safety reasons do not switch the motor on until the propeller is in the water. If installing a leadwire plug, observe proper polarity and follow instructions in your boat owner's manual.

WARNING

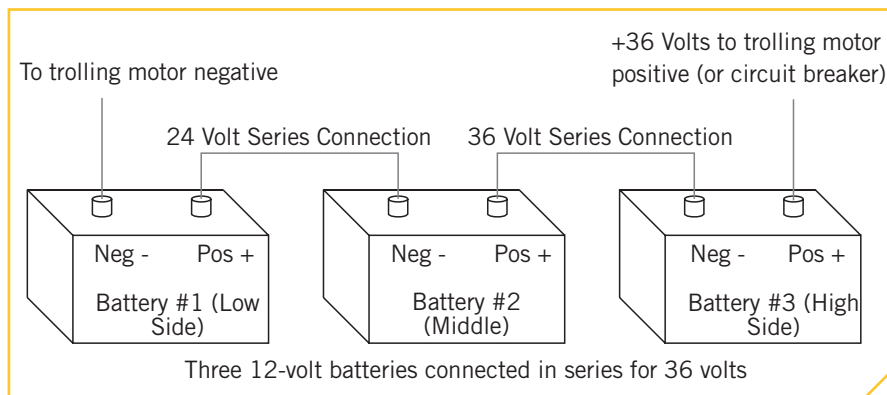
- For safety reasons, disconnect the motor from the battery or batteries when the motor is not in use or while the battery/batteries are being charged.
- Improper wiring of 24/36 volt systems could cause battery explosion.
- Keep leadwire wing nut connections tight and solid to battery terminals.
- Locate battery in a ventilated compartment.

CONNECTING THE BATTERIES IN SERIES

36 Volt Systems

Three 12 volt batteries are required. The batteries must be wired in series, only as directed in wiring diagram, to provide 36 volts.

1. Make sure that the motor is switched off (speed selector on "0").
2. Connect a connector cable to the positive (+) terminal of battery 1 and to the negative (-) terminal of battery 2 and another connector cable from the positive (+) terminal of battery 2 to the negative (-) terminal of battery of battery 3.
3. Connect positive (+) red motor lead to positive (+) terminal on battery 3.
4. Connect negative (-) black motor lead to negative (-) terminal of battery 1.



WARNING

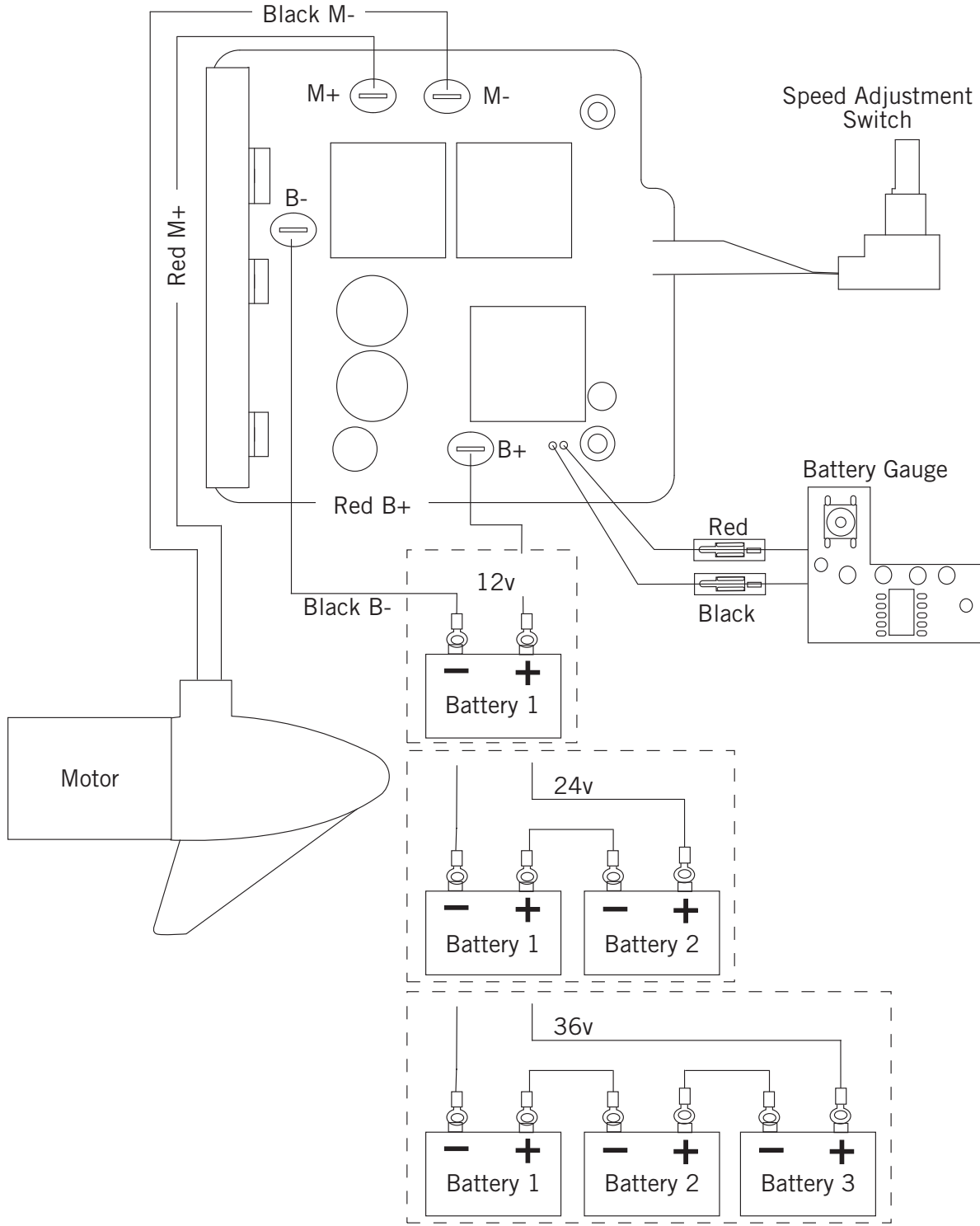
For safety reasons do not switch the motor on until the propeller is in the water. If installing a leadwire plug, observe proper polarity and follow instructions in your boat owner's manual.

WARNING

- For safety reasons, disconnect the motor from the battery or batteries when the motor is not in use or while the battery/batteries are being charged.
- Improper wiring of 24/36 volt systems could cause battery explosion.
- Keep leadwire wing nut connections tight and solid to battery terminals.
- Locate battery in a ventilated compartment.

MOTOR WIRING DIAGRAM

RIPTIDE TRANSOM



NOTICE: This is a multi-voltage diagram. Double-check your motor's voltage for proper connections. Over-Current Protection Devices are not shown in this illustration.

USING & ADJUSTING THE MOTOR

STOWING THE MOTOR

WARNING

When stowing or deploying the motor, keep fingers clear of all hinge and pivot points and all moving parts. Practice proper ergonomics when stowing and deploying the motor to prevent injury.

WARNING

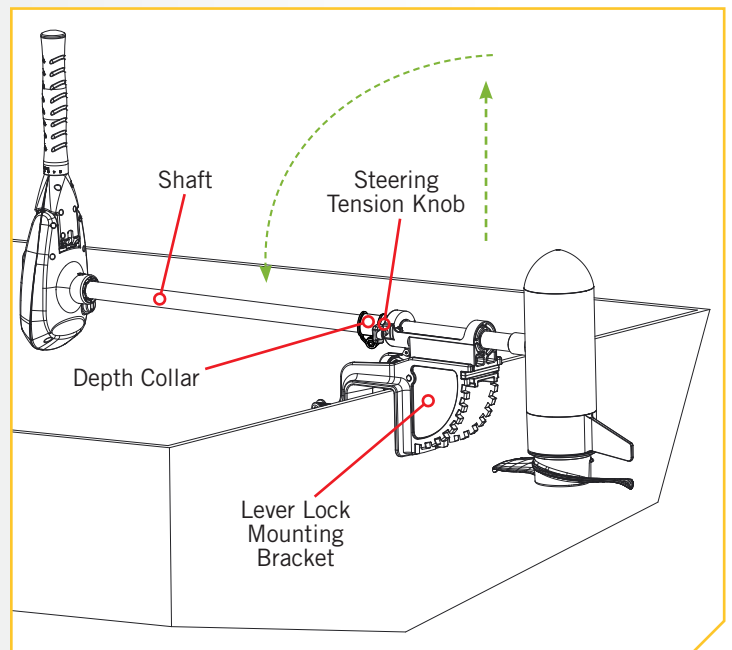
Moving the motor creates a variety of pinch points. The motor head will create a pinch point if the Steering Tension Knob is loosened and the motor head slides to the top of the Adjustable Depth Collar. Grasp the Shaft and prevent it from sliding all the way down to prevent the pinch point. When adjusting the Mounting Bracket by engaging the Quick Release Tilt Lever, watch for pinch points on the Lever Lock Mounting Bracket and between the Shaft and Mounting Bracket. Grasp the motor away from the area that may come in contact with another area of the motor to prevent injury. Watch for pinch points on the Tiller when moving the motor or using the telescoping handle.

WARNING

When the motor is being transported, on water or land, it is important to place the motor completely out of water. The motor should be positioned up close to the Lever Lock Mounting Bracket. Always secure the Steering Tension Knob and slide the Adjustable Depth Collar down to the top of the Steering Tension Knob for added security during transport. This provides a secure stow and holds the motor in place during transportation when it is subject to high levels of shock and vibration. Failure to secure the motor may result in injury or damage to the unit.

1

- a. Adjust depth so that the motor is fully raised.
- b. Press and hold the Quick Release Tilt Lever.
- c. Tilt motor into the boat.
- d. For transport, always tilt the motor into the boat such that the motor and prop assembly are completely out of the water and the motor is positioned up close to the Lever Lock Mounting Bracket.
- e. Slide the Depth Collar down to the top of the Steering Tension Knob and tighten it for added security during transport.



ADJUSTING THE DEPTH OF THE MOTOR

ADDITIONAL ADJUSTMENTS

Adjusting the Depth of the Motor

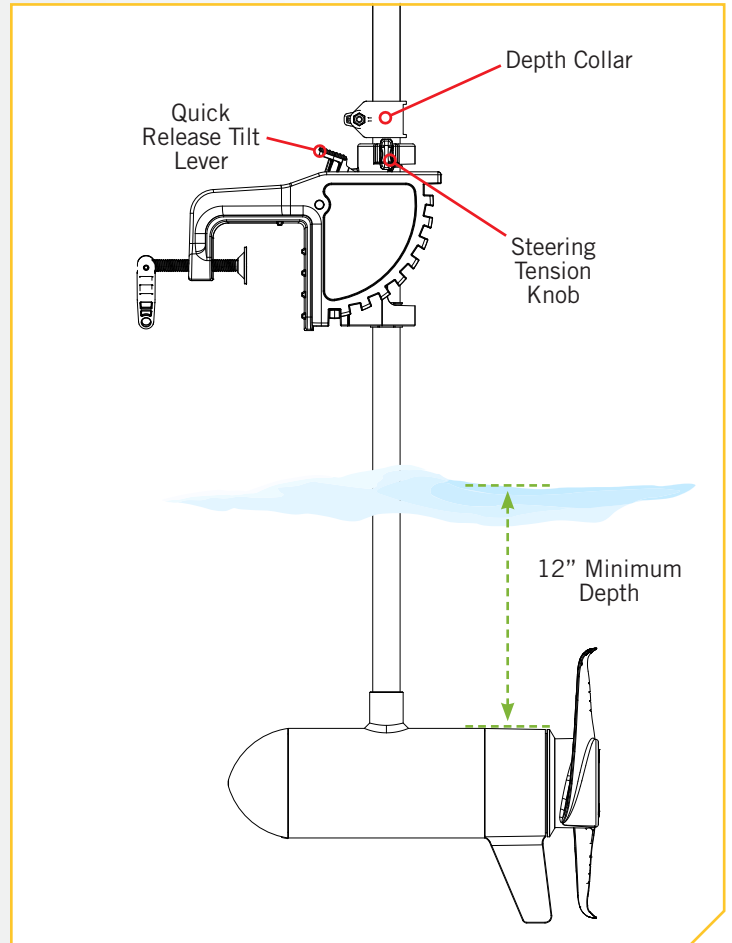
When setting the depth be sure the top of the motor is submerged at least 12" to avoid churning or agitation of surface water. The propeller must be completely submerged.

- 1
 - a. Firmly grasp the motor shaft and hold it steady.
 - b. Loosen the Steering Tension Knob.
 - c. Loosen the Adjustable Depth Collar Knob to loosen the Depth Collar.
 - d. Vertically adjust the height of the motor to the desired position.
 - e. Bring the Depth Collar to the top of the Steering Tension Knob, and tighten the Adjustable Depth Collar Knob to lock the Depth Collar into position.
 - f. Tighten the Steering Tension Knob to achieve the desired steering resistance.

NOTICE: Be sure the top of the motor is submerged at least 12" below the surface of the water to avoid churning or agitation of surface water.

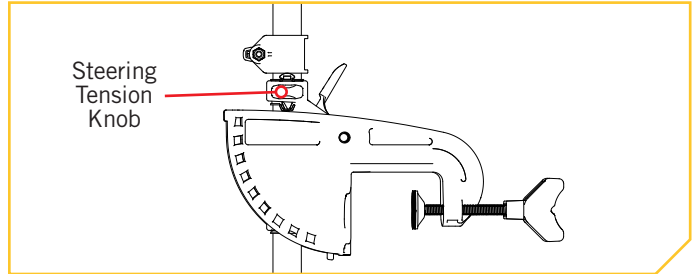
WARNING

The motor head will create a pinch point if the Steering Tension Knob is loosened and the motor head slides to the top of the Depth Collar. Grasp the Shaft and prevent it from sliding all the way down to prevent the pinch point. Grasp the motor away from the area that may come in contact with another area of the motor to prevent injury.



› Adjusting the Steering

Adjust the Steering Tension Knob to provide enough tension to allow the motor to turn freely, yet remain in any position without being held or tighten the Steering Tension Knob to place the motor in a preset position to leave your hands free for fishing.

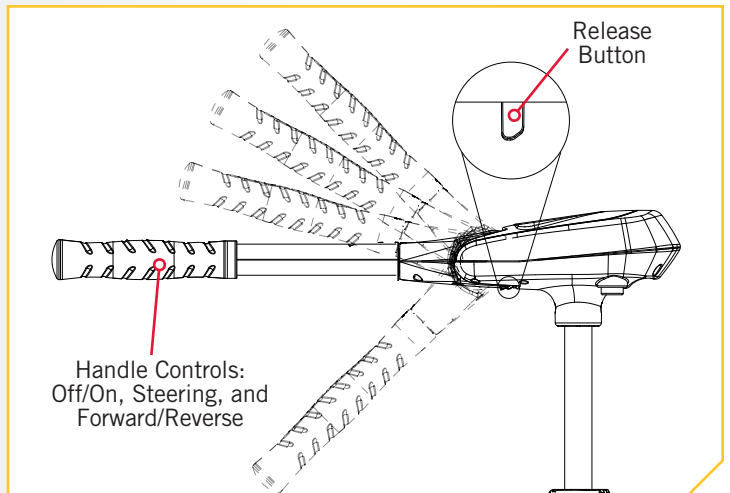


› Adjusting the Tilt Twist Tiller™

The twist grip tiller handle is shipped in the down position. Firmly pull the handle up to the horizontal position. The handle has seven available positions: 45° 30° and 15° up and down from 0°. The handle locks in the horizontal position but can be tilted down by pushing the release button located on the left underside of the handle pivot.

1

- a. To move the handle in a stowed position, first press the Release Button located on the left underside of the pivot handle, then push the handle down until you feel the handle "lock in" to the stowed position. This will be almost parallel to the motor shaft.
- b. To operate the extension handle, pull the handle towards you to the desired position. The handle will extend a full 6 inches. To retract, push the handle in until it meets the face of the motor control head.



WARNING

The Riptide Transom is not intended to be a primary propulsion motor. Heavy use of the motor can cause elevated motor temperatures, which can be increased by an excessively hot operating environment. Use care when handling the control head to avoid burns or injuries from excessive heat. In the event that the motor or speed control would break, always be prepared to take manual control of the boat.

WARNING

The position of the Tilt/Extend Tiller may create a pinch point between it and the Control Head. Grasp the motor away from the area that may come in contact with another area of the motor to prevent injury.

CAUTION

Before attempting to put the handle in the stowed position, the speed selector must be in the OFF/STOW position. Failure to do so will damage the internal mechanism.

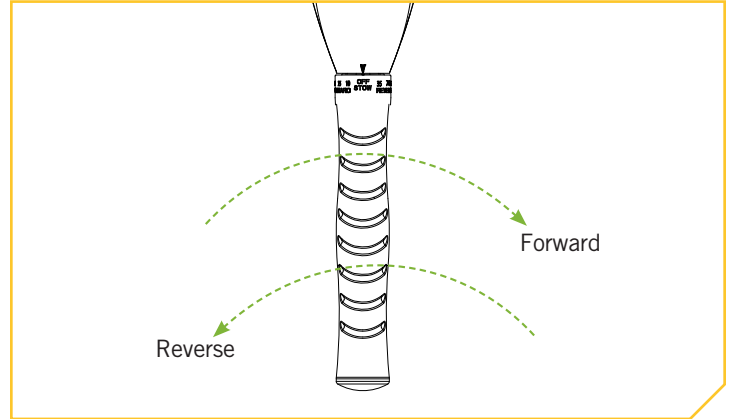
ADJUSTING THE STEERING

› Controlling Speed & Steering with the Tiller

This motor offers variable forward and reverse speeds. The speed control may be operated in either direction, forward or reverse. Turn the tiller handle counterclockwise from (OFF) to increase reverse speed and clockwise from (OFF) to increase forward speed. Speed decreases as you approach (OFF) from either direction.

WARNING

When the motor is not in use, always turn the Tilt/Extend Tiller handle to "OFF/STOW". If the handle is set or accidentally engaged or bumped and is not positioned to "OFF/STOW" the prop will turn on unexpectedly. The prop may also turn on unexpectedly if the control board or 5 position switch fails. Prevent injury from a turning propeller and always know how to quickly disengage the power or correct the Tilt/Extend Tiller to turn the prop off.



WARNING

Be alert for unexpected boat movement when operating the Riptide Transom. The boat may encounter sharp turns and jolts if the steering is changed sharply or if broad changes in speed are made while operating. Maintain balance and observe safe motor operation.

› Adjusting the Bracket

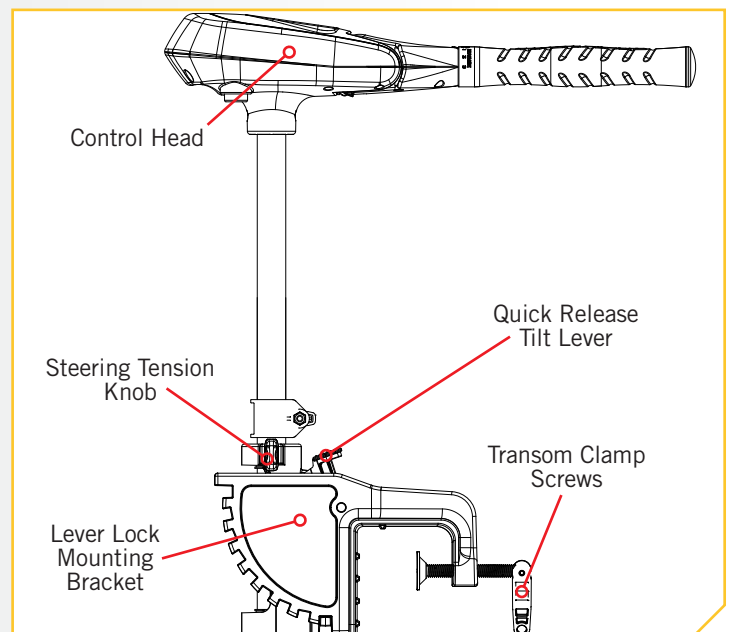
You can lock your motor in a vertical position, angle it for shallow water or tilt it completely out of the water.

1

- Firmly grasp the control head of the motor. (Do not lift up on the motor for angular adjustment)
- Press down and hold the Quick Release Tilt Lever.
- Tilt the motor forward or back to the desired position within the mounting bracket.
- Release the Quick Release Tilt Lever and ensure the motor is locked into the desired position.

WARNING

When adjusting the Mounting Bracket by engaging the Quick Release Tilt Lever, watch for pinch points between the Shaft and Mounting Bracket. Grasp the motor away from the area that may come in contact with another area of the motor to prevent injury.

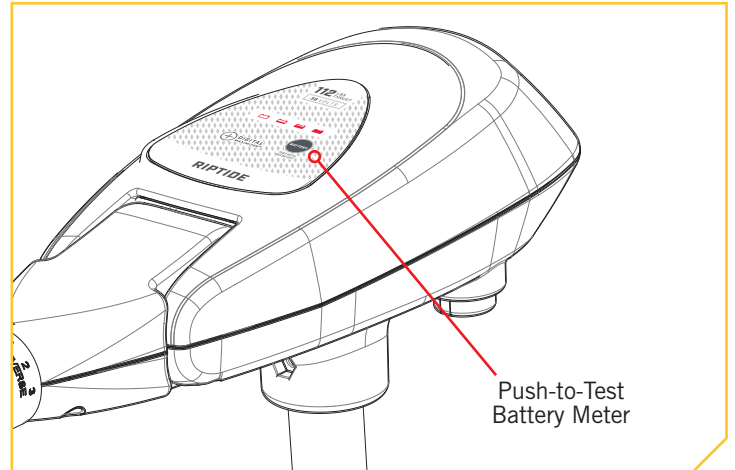


› PUSH-TO-TEST BATTERY METER

This motor is equipped with a “push-to-test” battery meter. The LED light provides an accurate display of the remaining charge in the battery. It is only accurate when the motor is off.

The meter reads as:

- One light indicates recharge.
- Two lights indicate low charge.
- Three lights indicate good charge.
- Four lights indicate full charge.



SERVICE & MAINTENANCE

PROPELLER REPLACEMENT

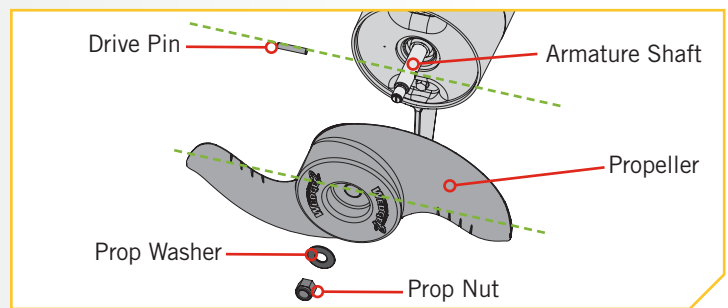
TOOLS AND RESOURCES REQUIRED >

- 1/2" Open End Wrench
- Flat Blade Screwdriver

INSTALLATION >

- a. Disconnect the motor from all sources of power prior to changing the propeller.
 - b. Hold the propeller and loosen the Prop Nut with a pliers or a wrench.
 - c. Remove the Prop Nut and Prop Washer.

NOTICE: If the Drive Pin is sheared or broken, you will need to hold the shaft stationary with a flat blade screwdriver pressed into the slot on the end of the shaft while you loosen the Prop Nut.



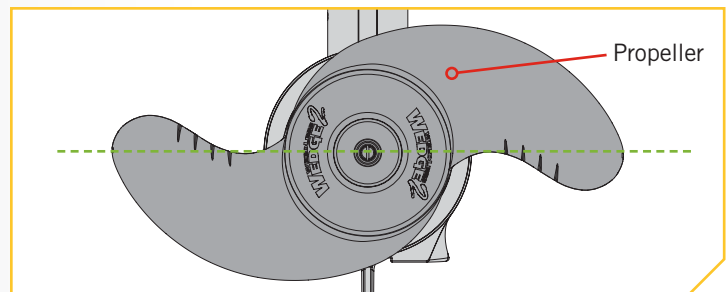
⚠ CAUTION

Disconnect the motor from the battery before beginning any prop work or maintenance.

- d. Turn the old prop to horizontal and pull it straight off. If drive pin falls out, push it back in.

⚠ CAUTION

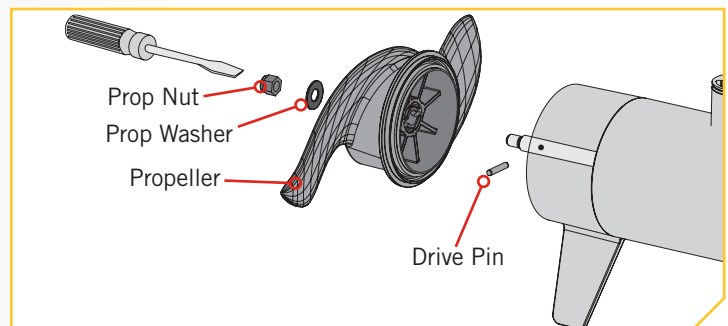
If the prop does not readily slide off, take care to not bend the Armature Shaft while removing the prop by pulling the prop evenly off the Armature Shaft.



- e. Align the new Propeller with the Drive Pin.
 - f. Install the Prop Washer and Prop Nut.
 - g. Tighten the Prop Nut 1/4 turn past snug at 25-35 inch-lbs.

⚠ CAUTION

Do not over tighten as this can damage the prop.



GENERAL MAINTENANCE

- After every use, the entire motor should be rinsed with freshwater, then wiped down with a cloth dampened with an aqueous based silicone spray. Do not spray water into the ventilation openings in the head of the motor.
- The composite shaft requires periodic cleaning and lubrication for proper retraction and deployment. A coating of an aqueous based silicone spray will improve operation.
- The propeller must be inspected and cleaned of weeds and fishing line after every use. Fishing line and weeds can get behind the prop, damage the seals and allow water to enter the motor.
- Verify the prop nut is secure each time the motor is used.
- To prevent accidental damage during transportation or storage, disconnect the battery whenever the motor is off of the water. For prolonged storage, lightly coat all metal parts with an aqueous based silicone spray.
- For maximum battery life, recharge the battery(s) as soon as possible after use. For maximum motor performance, restore battery to full charge prior to use.
- Keep battery terminals clean with fine sandpaper or emery cloth (flooded lead acid only).
- The propeller is designed to provide optimum operation with very high efficiency. To maintain this top performance, the leading edge of the blades must be kept smooth. If they are rough or nicked from use, restore to smooth by sanding with fine sandpaper.

TROUBLESHOOTING

1. Motor fails to run or lacks power:
 - Check battery connections for proper polarity.
 - Make sure terminals are clean and corrosion free. Use fine sandpaper or emery cloth to clean terminals.
 - Check battery water level. Add water if needed.
2. Motor loses power after a short running time:
 - Check battery charge. If low, restore to full charge.
3. Motor is difficult to steer:
 - Loosen the steering tension knob on the bracket.
 - Lubricate the composite shaft.
4. You experience prop vibration during normal operation:
 - Remove and rotate the prop 180°. See removal instructions in the Propeller Replacement section.
5. Experiencing interference with your fishfinder:
 - You may, in some applications, experience interference in your depth finder display. We recommend that you use a separate deep cycle marine battery for your trolling motor and that you power the depth finder from the starting/cranking battery. If problems still persist, call our service department at 1-800-227-6433.

NOTICE: For all other malfunctions, visit an Authorized Service Center. You can search for an Authorized Service Center in your area by visiting our Authorized Service page, found on-line at minnkotamotors.com, or by calling our customer service number at 800-227-6433.

FOR FURTHER TROUBLESHOOTING AND REPAIR



FOR FURTHER TROUBLESHOOTING AND REPAIR

We offer several options to help you troubleshoot and/or repair your product. Please read through the options listed below.



Buy Parts Online

You can buy parts on-line directly from our website at minnkotamotors.com. Orders confirmed by 12 Noon Central Time, with Overnight Shipping selected, should ship the same business day if the parts are in stock. All other orders should ship within the next 3 business days, depending on the shipment method chosen, and if the parts are in stock.



Frequently Asked Questions

We have FAQs available on our website to help answer all of your Minn Kota questions. Visit minnkotamotors.com and click on “Frequently Asked Questions” to find an answer to your question.



Call Us (for U.S. and Canada)

Our consumer service representatives are available Monday – Friday between 7:00 a.m. – 4:30 p.m. CST at 800-227-6433. If you are calling to order parts, please have the 11-character serial number from your product, specific part numbers, and credit card information available. This will help expedite your call and allow us to provide you with the best consumer service possible. You can reference the parts list located in your manual to identify the specific part numbers.



Email Us

You can email our consumer service department with questions regarding your Minn Kota products. To email your question, visit minnkotamotors.com and click on “Support”.



Authorized Service Centers

Minn Kota has over 800 authorized service providers in the United States and Canada where you can purchase parts or get your products repaired. Please visit our Authorized Service Center page on our website to locate a service provider in your area.



Scan to visit Minn Kota service online.



COMPLIANCE STATEMENTS

ENVIRONMENTAL COMPLIANCE STATEMENT

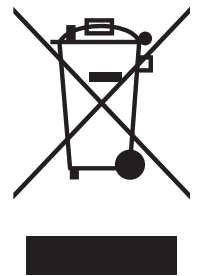
It is the intention of JOME to be a responsible corporate citizen, operating in compliance with known and applicable environmental regulations, and a good neighbor in the communities where we make or sell our products.

WEEE DIRECTIVE

EU Directive 2002/96/EC “Waste of Electrical and Electronic Equipment Directive (WEEE)” impacts most distributors, sellers, and manufacturers of consumer electronics in the European Union. The WEEE Directive requires the producer of consumer electronics to take responsibility for the management of waste from their products to achieve environmentally responsible disposal during the product life cycle.

WEEE compliance may not be required in your location for electrical & electronic equipment (EEE), nor may it be required for EEE designed and intended as fixed or temporary installation in transportation vehicles such as automobiles, aircraft, and boats. In some European Union member states, these vehicles are considered outside of the scope of the Directive, and EEE for those applications can be considered excluded from the WEEE Directive requirement.

This symbol (WEEE wheelie bin) on product indicates the product must not be disposed of with other household refuse. It must be disposed of and collected for recycling and recovery of waste EEE. Johnson Outdoors Inc. will mark all EEE products in accordance with the WEEE Directive. It is our goal to comply in the collection, treatment, recovery, and environmentally sound disposal of those products; however, these requirements do vary within European Union member states. For more information about where you should dispose of your waste equipment for recycling and recovery and/or your European Union member state requirements, please contact your dealer or distributor from which your product was purchased.



DISPOSAL

Minn Kota motors are not subject to the disposal regulations EAG-VO (electric devices directive) that implements the WEEE directive. Nevertheless never dispose of your Minn Kota motor in a garbage bin but at the proper place of collection of your local town council.

Never dispose of battery in a garbage bin. Comply with the disposal directions of the manufacturer or his representative and dispose of them at the proper place of collection of your local town council.

FCC COMPLIANCE

This device complies with Part 15 of the FCC rules. **Operation is subject to the following two conditions:**

1. This device may not cause harmful interference.
2. This device must accept any interference that may be received, including interference that may cause undesired operation.

Changes or modifications not expressly approved by Johnson Outdoors Marine Electronics, Inc. could void the user’s authority to operate this equipment.

COMPLIANCE STATEMENTS



NOTICE: This equipment has been tested and found to comply with the limits for a Class B digital device, pursuant to part 15 of the FCC Rules. These limits are designed to provide reasonable protection against harmful interference in a residential installation. This equipment generates, uses and can radiate radio frequency energy and, if not installed and used in accordance with the instructions, may cause harmful interference to radio communications. However, there is no guarantee that interference will not occur in a particular installation. **If this equipment does cause harmful interference to radio or television reception, which can be determined by turning the equipment off and on, the user is encouraged to try to correct the interference by one or more of the following measures:**

- Reorient or relocate the receiving antenna.
- Increase the separation between the equipment and receiver.
- Connect the equipment into an outlet on a circuit different from that to which the receiver is connected.
- Consult the dealer or an experienced radio/TV technician for help.

INDUSTRY CANADA COMPLIANCE

This product meets the applicable Industry Canada technical specifications. Operation is subject to the following two conditions: (1) this device may not cause interference, and (2) this device must accept any interference, including interference that may cause undesired operation of the device.

Changes or modifications not expressly approved by Johnson Outdoors Marine Electronics, Inc. could void the user's authority to operate this equipment.

ENVIRONMENTAL RATINGS

Ambient operating temperature range: -10C to 50C

Ambient operating humidity range: 5% to 95%

Maximum operating altitude: 10,000 feet

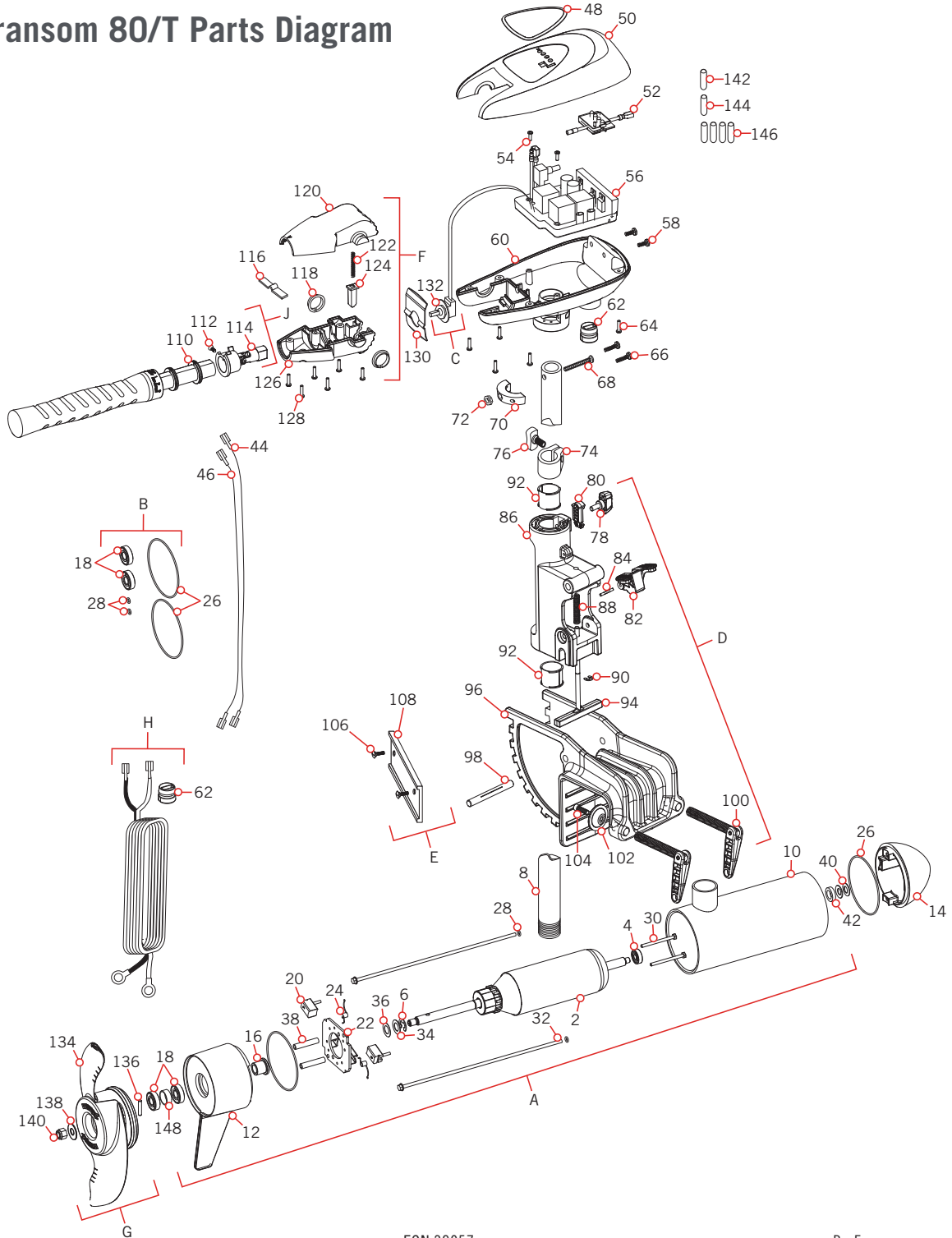


PARTS DIAGRAM & PARTS LIST

RIPTIDE TRANSOM 80/T - 80 LBS THRUST - 24 VOLT - 42" SHAFT

This page provides Minn Kota® WEEE compliance disassembly instructions. For more information about where you should dispose of your waste equipment for recycling and recovery and/or your European Union member state requirements, please contact your dealer or distributor from which your product was purchased. Tools required, but not limited to: flat head screw driver, Phillips screw driver, socket set, pliers, wire cutters.

› Riptide Transom 80/T Parts Diagram



PARTS DIAGRAM & PARTS LIST

› Riptide Transom 80/T Parts List

Assembly	Part #	Description	Quantity
A	2316225	24V MOTOR 42" SW	1
B	2889460	SEAL AND O-RING KIT	1
C	2888411	POTENTIOMETER REPLACEMENT KIT	1
D	2991714	BRACKET ASSY, ALUMINUM	1
E	2994844	BAG ASSEMBLY, TRANSOM EXTRUSION	1
F	2990957	HANDLE ASSY, VARS	1
G	1378132	PROPELLER KIT WW2	1
H	2992523	LEADWIRE ASSY	1
J	2990466	GRIP/HANDLE ASSY, VARS	1
Item	Part #	Description	Quantity
2	2-100-214	ARMATURE ASSEMBLY	1
4	140-010	BEARING	1
6	788-040	RETAINING RING	1
8	2002012	TUBE 42"	1
10	2-200-394	CENTER HOUSING ASSEMBY	1
12	2-300-340	BRUSH END HOUSING ASSEMBLY	1
14	421-376	PLAIN END HOUSING ASSEMBLY STD	1
16	144-017	FLANGE BEARING (SERVICE ONLY)	1
18	880-025	SEAL	2
20	188-094	BRUSH	2
22	738-004	BRUSH PLATE ASSEMBLY	1
24	975-041	BRUSH SPRING	2
26	701-043	O-RING, MOTOR	2
28	701-009	O-RING, THRU-BOLT	2
30	830-027	SCREW, 10-32 X 1/2"	2
32	830-094	THRU-BOLT #12-24 X 10.31	2
34	990-051	WASHER, STEEL	1
36	990-052	WASHER, NYLATRON	1
38	973-025	SPACER, BRUSH PLATE	1
40	992-010	WASHER, BELLEVILLE	2
42	992-045	THRUST SPACER	1
44	640-018	LEADWIRE, BLACK	1
46	640-123	LEADWIRE, RED	1
48	2195667	DECAL, C-BOX COVER	1
50	2060299	C-BOX COVER	1
52	2074081	BATTERY METER, 24V SW	1
54	2043427	SCREW, #8 X 7/8 SS	2
56	2184027	CONTROL BOARD, 24/36V	1
58	2303434	SCREW, #8-32 X 5/8 SS	2
60	2062538	CONTROL BOX, CAST, SW	1
62	2062905	STRAIN RELIEF	1
64	2303412	SCREW, #6-20 X 5/8 SS	6
66	2063410	SCREW, #10-32 X 3/4" CAP SS	2
68	2093400	SCREW, #10-24 X 1-7/8" PPH SS	1

Item	Part #	Description	Quantity
70	2061529	COLLAR-CTRL BOX (SW)	1
72	2333101	NUT, #10-24, NYLOCK, SS	1
74	2031520	COLLAR-DEPTH (W/O INSERT)	1
76	2011366	SCREW-COLLAR/NEW KNOB (SS)	1
78	2011366	KNOB, SCREW-COLLAR, SS	1
80	2062801	TENSION BLOCK	1
82	2077202	LEVER-TILT, TRANSOM BRACKET	1
84	2070512	PIN-HINGE, 1/8 X 1	1
86	2071863	HINGE-SW	1
88	2332700	SPRING-(T-BAR), SS	1
90	2333001	E-RING, SS	1
92	2037301	BUSHING, HINGE	2
94	2073604	T-BAR, (E-COAT)	1
96	2071947	BRACKET, SAND CAST SW	1
98	2070514	PIN-HINGE, 3/8 X 3.5, SS	1
100	2991303	CLAMP SCREW, HANDLE ASSY.	2
102	2331700	WASHER-CLAMP SCREW, SS	2
104	2263452	SCREW, 1/4-20 X 3/4 SHCS, SS	2
106	2053421	SCREW 1/4-14 X 1 PFH, SS	2
108	2058415	TRANSOM EXTRUSION	1
110	2060015	BEARING, HANDLE	2
112	2063405	SCREW, #6 PFH SS	2
114	2884092	YOKE / SPIDER ASSY, VARS	1
116	2302742	SPRING, DETENT, OFF	1
118	2060005	BEARING, HANDLE PIVOT	2
120	2060900	HANDLE PIVOT, TOP	1
122	2302745	SPRING, RELEASE BUTTON	1
124	2063700	BUTTON, RELEASE	1
126	2060905	HANDLE PIVOT, BOTTOM	1
128	2303412	SCREW, #6-20 X 5/8 SS	6
130	2062715	SPRING, HANDLE PIVOT	1
132	2061700	WASHER, POT HOLDER	1
134	2331160	PROPELLER WW2	1
136	2262658	DRIVE PIN, LARGE	1
138	2091701	WASHER, PROP, LARGE	1
140	2198401	NUT, NYLOCK, PROP, ANODE	1
142	2305415	SHRINK TUBE	1
144	2305410	SHRINK TUBE	1
146	2305403	SHRINK TUBE	4
148	725-095	PAPER TUBE-SEAL BORE	1

✘ This part is included in an assembly and cannot be ordered individually.

▲ Not shown on Parts Diagram.

NOTES



A large area of the page containing numerous horizontal lines for writing notes.

RECOMMENDED ACCESSORIES

ON-BOARD & PORTABLE BATTERY CHARGERS

Stop buying new batteries and start taking care of the ones you've got. Many chargers can actually damage your battery over time – creating shorter run times and shorter overall life. Digitally controlled Minn Kota chargers are designed to provide the fastest charge that protect and extend battery life.



MK212PC



MK210D



MK110PD

TALON SHALLOW WATER ANCHOR

Introducing the all-new, sleek redesigned Talon. Talon is the only shallow water anchor with up to 15' of anchoring depth, multiple anchoring modes, and control from the bow, transom, console, remote or mobile device.



BUILT-IN WORK LIGHT

Lets you tie lines and work from the transom any time of day — or night. Includes both white and blue LED lights with three brightness settings.



UP TO 15' DEEP

Control more water and catch more fish with the first 15' shallow water anchor.



MORE CONTROL OPTIONS

- Control Panel
- Wireless Remote
- Mobile App
- Wireless Foot Switch
- Humminbird® Connectivity
- i-Pilot® & i-Pilot Link™ Remote



BLUETOOTH® CONNECTIVITY

Lets you control Talon from your mobile device and easily update it. Also opens up communication to other control options.

MINN KOTA ACCESSORIES

We offer a wide variety of trolling motor accessories, including:

- 60-Amp Circuit Breaker
- Mounting Brackets
- Stabilizer Kits
- Extension Handles
- Battery Connectors
- Battery Boxes
- Quick Connect Plugs

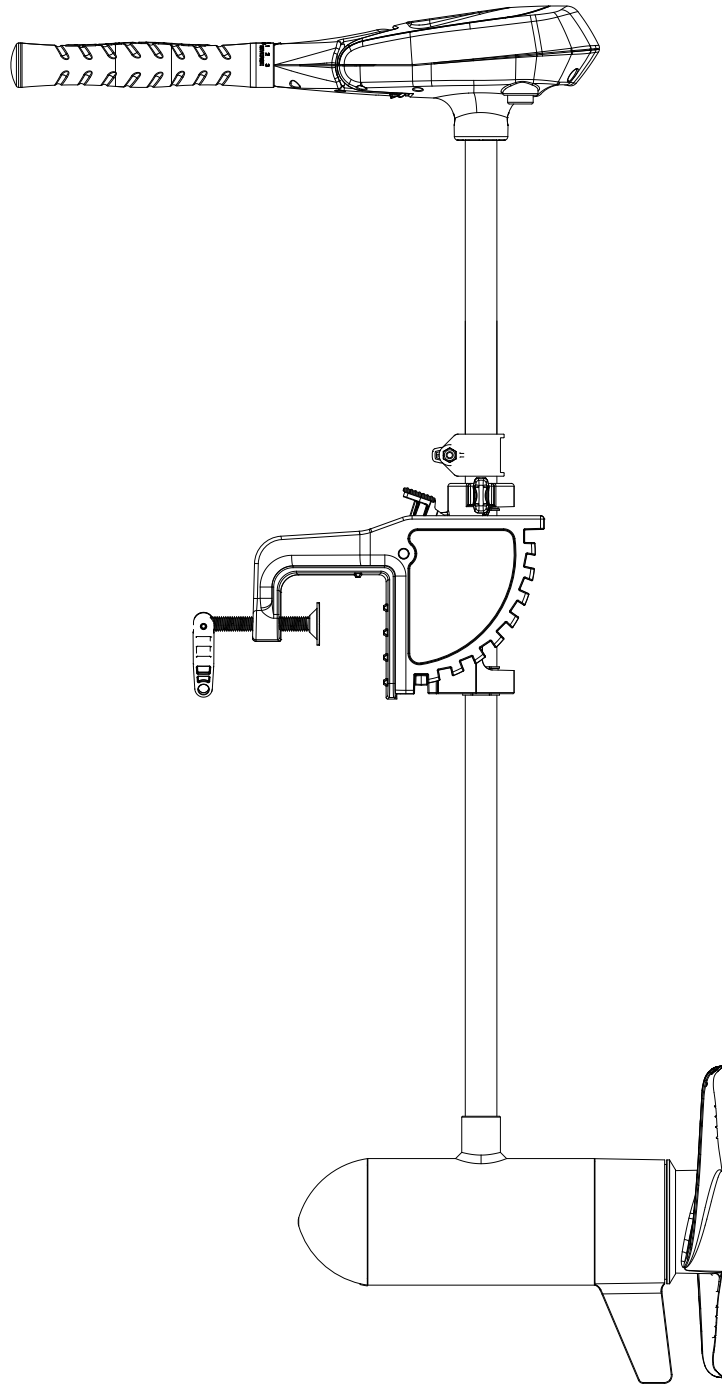


Minn Kota Consumer & Technical Service
Johnson Outdoors Marine Electronics, Inc.
PO Box 8129
Mankato, MN 56001

121 Power Drive
Mankato, MN 56001
Phone (800) 227-6433
Fax (800) 527-4464



©2018 Johnson Outdoors Marine Electronics, Inc.
All rights reserved.



RIPTIDE® TRANSOM

PROPULSEUR ÉLECTRIQUE MONTÉ SUR TABLEAU ARRIÈRE

Manuel De l'Utilisateur

PRÉSENTATION

MERCI

Nous vous remercions d'avoir choisi Minn Kota. Nous sommes persuadés que vous devriez consacrer plus de temps à pêcher et moins de temps à amarrer votre embarcation. C'est pourquoi nous construisons les propulseurs électriques les plus intelligents, les plus solides et les plus faciles à utiliser. Chaque aspect d'un propulseur électrique Minn Kota est réfléchi et étudié jusqu'à ce qu'il soit digne de porter notre nom. Nous avons investi des heures incalculables de recherche et d'essais pour vous offrir les avantages caractéristiques de Minn Kota, qui vous mène vraiment « n'importe où, et n'importe quand. » Notre principe est simple, nous faisons les choses selon les règles. Nous sommes Minn Kota. Et nous ne cesserons jamais de vous aider à pêcher plus de poissons.

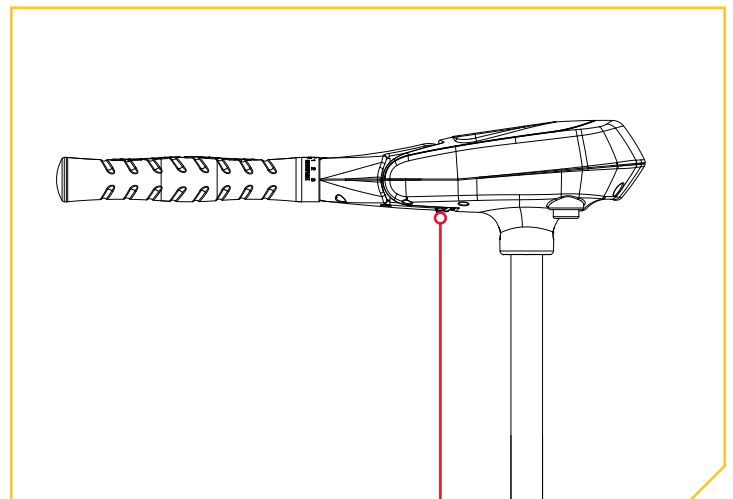
ENREGISTREMENT

N'oubliez pas de conserver votre reçu et d'enregistrer immédiatement votre propulseur électrique. Une fiche d'enregistrement est fournie avec votre moteur; vous pouvez également effectuer l'enregistrement sur notre site Web à minnkotamotors.com.

NUMÉRO DE SÉRIE

Le numéro de série à 11 caractères Minn Kota est très important. Cela permet de déterminer le modèle spécifique et l'année de fabrication. Lorsque vous contactez le service à la clientèle ou que vous enregistrez votre article, vous aurez besoin du numéro de série de votre article. Nous vous suggérons d'écrire le numéro de série afin qu'il soit disponible à des fins de référence future.

AVIS: Le numéro de série de votre Riptide Transom se trouve sous la barre d'inclinaison.



INFORMATIONS SUR LE MOTEUR (À DES FINS DE RÉFÉRENCE PAR LE CLIENT SEULEMENT)

Modèle: _____

Numéro de Série: _____

Date de l'achat: _____

Magasin où l'achat a été effectué: _____

AVIS: Ne pas retourner le moteur Minn Kota au détaillant. Le détaillant n'est pas autorisé à réparer ou à remplacer cet appareil. Pour le service : communiquer avec Minn Kota au (800) 227-6433; retourner le moteur au Centre de service de l'usine de Minn Kota; envoyer ou apporter le moteur à un centre de service agréé de Minn Kota. Une liste de centres de service agréés est disponible sur notre site Web, à minnkotamotors.com. Pour obtenir un service au titre de la garantie, y compris toutes les options susmentionnées, veuillez inclure la preuve d'achat, le numéro de série et la date de l'achat.

TABLE DES MATIÈRES

CONSIGNES DE SÉCURITÉ	32
GARANTIE LIMITÉE DE DEUX ANS	33
CONNAISSEZ VOTRE BATEAU	34
CARACTÉRISTIQUES	35
INSTALLATION	36
Installation du Moteur.....	36
INSTALLATION DE LA BATTERIE ET DU CÂBLAGE	37
Gréement de l'embarcation et installation du produit.....	37
Tableau des dimensions de gabarit des conducteurs et disjoncteurs.....	37
Comment sélectionner une batterie adéquate.....	38
Autres points à considérer	38
Connexion des batteries	39
Branchement des batteries en série.....	40
SCHÉMA DE CÂBLAGE DU MOTEUR	42
UTILISATION ET RÉGLAGE DU MOTEUR	43
Arrimage et déploiement du moteur	43
Réglages supplémentaires	44
Réglage de la profondeur du moteur	44
Réglage du gouvernail.....	45
Réglage de la barre d'inclinaison/d'extension	45
Contrôle de la vitesse et de la direction à l'aide de la barre	46
Réglage du support.....	46
Indicateur d'état de batterie « Appuyer pour tester ».....	47
SERVICE ET ENTRETIEN	48
Remplacement de l'hélice	48
Entretien général	49
Dépannage.....	49
Pour d'autres services de dépannage et de réparation	50
DÉCLARATIONS DE CONFORMITÉ	51
SCHÉMA DES PIÈCES ET LISTE DES PIÈCES	53
REMARQUES	55

CONSIGNES DE SÉCURITÉ

Veillez lire attentivement le manuel de l'utilisateur. Suivez toutes les instructions et respectez toutes les consignes de sécurité et mises en garde. L'utilisation de ce moteur n'est autorisée que pour les personnes qui ont lu et compris ces consignes pour l'utilisateur. Les personnes mineures peuvent utiliser ce moteur uniquement sous la supervision d'un adulte.

AVERTISSEMENT

Vous seul êtes responsable de la navigation sécuritaire et prudente sur votre bateau. Nous avons conçu votre Minn Kota pour qu'il soit un outil précis et fiable qui vous permettra d'améliorer l'utilisation de votre bateau et d'accroître votre capacité de pêcher des poissons. Ce produit ne vous exonère pas de la responsabilité de naviguer en toute sécurité avec votre bateau. Vous devez éviter les dangers liés à la navigation et toujours exercer une veille permanente afin de pouvoir réagir au fur et à mesure que les situations se présentent. Vous devez toujours être prêt à reprendre le contrôle manuel de votre bateau. Apprenez à utiliser votre Minn Kota dans une zone exempte de dangers et d'obstacles.

AVERTISSEMENT

Ne faites jamais fonctionner le moteur hors de l'eau, puisque cela entraînerait des blessures causées par l'hélice en rotation. Le moteur doit être débranché de la source d'alimentation lorsqu'il n'est pas utilisé ou lorsqu'il est hors de l'eau. Au moment de brancher les câbles d'alimentation du moteur à la batterie, veiller à ce qu'ils ne soient pas entortillés ou exposés au frottement, puis les placer de telle manière que personne ne risque de trébucher. Avant d'utiliser le moteur, s'assurer que l'isolant des câbles d'alimentation n'est pas endommagé. Ne pas tenir compte de ces mesures de sécurité peut entraîner des courts-circuits avec les batteries et/ou le moteur. Toujours débrancher le moteur des batteries avant le nettoyage ou la vérification de l'hélice. Éviter de submerger complètement le moteur, car l'eau pourrait pénétrer dans l'appareil inférieur par la tête de contrôle et l'arbre. Si le moteur est utilisé alors que de l'eau est présente dans l'appareil inférieur, ce dernier pourrait subir des dommages considérables. Ces dommages ne seront pas couverts par la garantie.

AVERTISSEMENT

Veillez à ce que ni vous ni d'autres personnes ne vous approchiez trop près de l'hélice en rotation, que ce soit seulement avec une partie du corps ou des objets. Le moteur est puissant et pourrait provoquer des situations périlleuses ou des blessures, pour vous ou les autres. Lorsque le moteur est en marche, se méfier des objets flottants ou des personnes qui pourraient être en train de nager. Les personnes, dont les réactions ou la capacité à faire fonctionner le moteur est/sont affaiblie(s) par l'alcool, la drogue, les médicaments ou d'autres substances, ne sont pas autorisées à utiliser ce moteur. Ce moteur n'est pas adapté à l'utilisation dans de forts courants. Le niveau de pression sonore constant du moteur au moment de l'utilisation est inférieur à 70 dB (A). Le niveau de vibration général ne dépasse pas $8,2 \text{ pi/s}^2$ ($2,5 \text{ m/s}^2$).

AVERTISSEMENT

Lorsque vous remontez ou abaissez le moteur, gardez vos doigts loin de toutes charnières et tous points de pivot ainsi que de toutes pièces mobiles. En cas d'opération imprévue, retirez les câbles d'alimentation à la batterie.

AVERTISSEMENT

Il est recommandé d'utiliser exclusivement les accessoires approuvés par Johnson Outdoors avec votre moteur Minn Kota. L'utilisation d'accessoires non approuvés, y compris pour monter ou contrôler votre moteur, pourrait causer des dommages, un fonctionnement inattendu du moteur et des blessures. Veillez à utiliser le produit ainsi que les accessoires approuvés, y compris les télécommandes, en toute sécurité et de la manière indiquée pour éviter les accidents ou un fonctionnement inattendu du moteur. Ne retirez pas les pièces installées en usine, y compris les couvercles, boîtiers et protections du moteur et des accessoires.

GARANTIE

GARANTIE LIMITÉE DES MOTEURS DE PÊCHE À LA TRAÎNE EN EAU SALÉE MINN KOTA

Johnson Outdoors Marine Electronics, Inc. (« JOME ») offre la garantie limitée suivante uniquement à l'acheteur au détail initial. La garantie n'est pas transférable.

Garantie Limitée De Deux Ans De Minn Kota Sur L'ensemble Du Produit

JOME garantit à l'acheteur au détail initial seulement que son nouveau moteur de pêche à la traîne en eau salée Minn Kota est exempt de défauts résultant d'un vice de fabrication et de main-d'œuvre pour une période de deux (2) ans suivant la date d'achat. JOME se réserve le droit de réparer ou de remplacer, au choix et gratuitement, toute pièce pouvant s'avérer défectueuse pendant la durée de la présente garantie. Cette réparation ou ce remplacement est l'unique et exclusive responsabilité de JOME et constitue le seul recours de l'acheteur pour tout manquement à la présente garantie.

Garantie À Vie Limitée De Minn Kota Sur L'arbre Composite

JOME garantit uniquement à l'acheteur au détail initial que l'arbre composite de son propulseur électrique Minn Kota est exempt de défauts résultant d'un vice de fabrication et de main-d'œuvre pouvant survenir au cours de la durée de vie de l'acheteur initial. JOME fournira, gratuitement, un arbre composite neuf pour remplacer tout arbre composite pouvant s'avérer défectueux pendant la durée de la présente garantie. Fournir un arbre composite neuf sera la seule et exclusive responsabilité de JOME et le seul et unique recours de l'acheteur pour tout manquement à la présente garantie; et l'acheteur sera responsable de l'installation ou du coût de la main-d'œuvre pour l'installation de tout arbre composite neuf, fourni par JOME.

Exclusions & Limitations

La présente garantie limitée ne s'applique pas aux produits qui ont été utilisés en eau salée, en eau saumâtre ou à des fins commerciales ou locatives. Cette garantie ne couvre pas l'usure normale, les imperfections qui n'affectent pas le fonctionnement du moteur, ni les dommages causés par les accidents, l'abus, l'altération, la modification, les dommages durant le transport, les désastres naturels, la négligence de l'utilisateur, l'utilisation abusive, un soin ou un entretien inadéquat. **LES DOMMAGES CAUSÉS PAR L'UTILISATION DE PIÈCES DE REMPLACEMENT NON CONFORMES AUX SPÉCIFICATIONS DE CONCEPTION DES PIÈCES ORIGINALES NE SONT PAS COUVERTS PAR LA PRÉSENTE GARANTIE LIMITÉE.** Le coût de l'entretien normal ou des pièces de rechange qui ne contreviennent pas à la garantie limitée incombe à l'acheteur. Avant utilisation, l'acheteur doit déterminer si le produit convient à l'emploi prévu et assume tous les risques et responsabilités connexes. Toute assistance fournie par JOME à l'acheteur ou au nom de ce dernier hors du cadre des modalités, des restrictions et des exclusions de la présente garantie limitée ne constitue pas une renonciation à l'égard de telles modalités, restrictions ou exclusions, et une telle assistance n'aura pas pour effet de prolonger ni de restaurer la garantie. JOME ne remboursera aucune dépense encourue par l'acheteur dans le cadre de la réparation, de la correction ou du remplacement de pièces ou de produits défectueux, à l'exception des dépenses engagées sur consentement écrit préalable de JOME. **LA RESPONSABILITÉ GLOBALE DE JOME À L'ÉGARD DES PRODUITS COUVERTS PAR LA GARANTIE EST LIMITÉE À UN MONTANT ÉQUIVALENT AU PRIX D'ACHAT PAYÉ POUR LE PRODUIT EN QUESTION.**

Information Sur Le Service Minn Kota

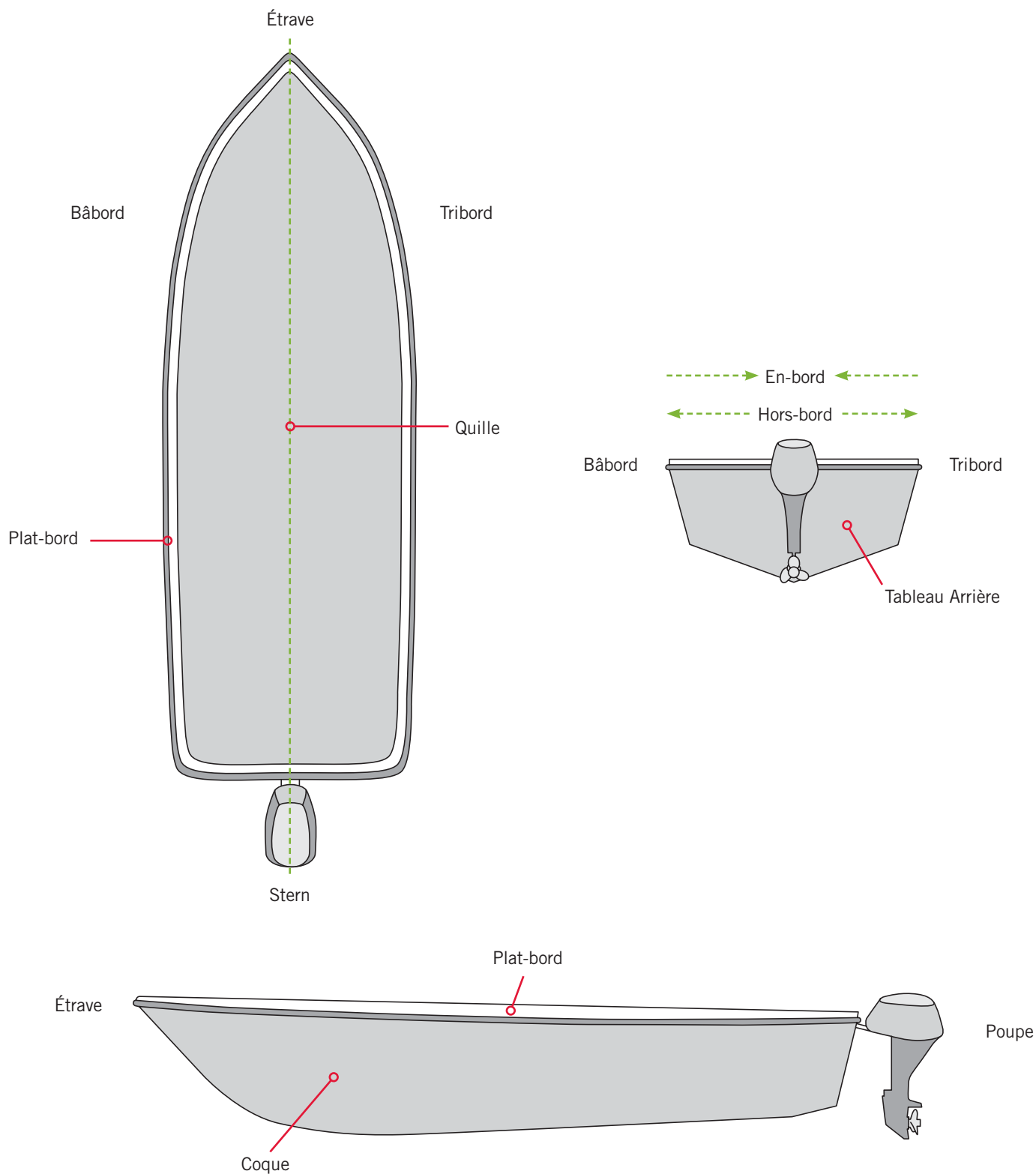
Pour obtenir le service au titre de la garantie aux États-Unis, le produit jugé défectueux et la preuve d'achat originale (comportant la date d'achat), doivent être présentés à un centre de service agréé Minn Kota ou au centre de service de l'usine de Minn Kota à Mankato, au Minnesota. Tous les frais encourus pour des appels de service, de transport ou d'expédition à destination ou à partir du centre de service agréé ou de l'usine Minn Kota, de main-d'œuvre pour transporter, retirer, réinstaller ou regérer les articles retirés pour le service de garantie, ou tout autre élément similaire, sont sous la seule et unique responsabilité unique et exclusive de l'acheteur. Les articles achetés à l'extérieur des États-Unis doivent être retournés, port payé avec la preuve d'achat (y compris la date d'achat et le numéro de série), à tout centre de service agréé Minn Kota dans le pays de l'achat. Le service au titre de la garantie peut être obtenu en communiquant avec le centre de service agréé de Minn Kota ou l'usine au +1 (800) 227-6433 ou par courriel à l'adresse suivante service@minnkotamotors.com. **Les produits réparés ou remplacés seront garantis pour la durée restante de la période de garantie initiale [ou pendant 90 jours à compter de la date de réparation ou de remplacement, la période la plus longue étant retenue]. Tout produit retourné aux fins de services en vertu de la garantie qui, selon JOME, n'est pas couvert par la garantie limitée ou n'y contrevient pas sera facturé pour les services rendus au taux horaire de main-d'œuvre affiché en vigueur, pour une facturation minimale d'une heure.**

AVIS: Ne pas retourner l'article Minn Kota au détaillant. Le détaillant n'est pas autorisé à le réparer ou à le remplacer.

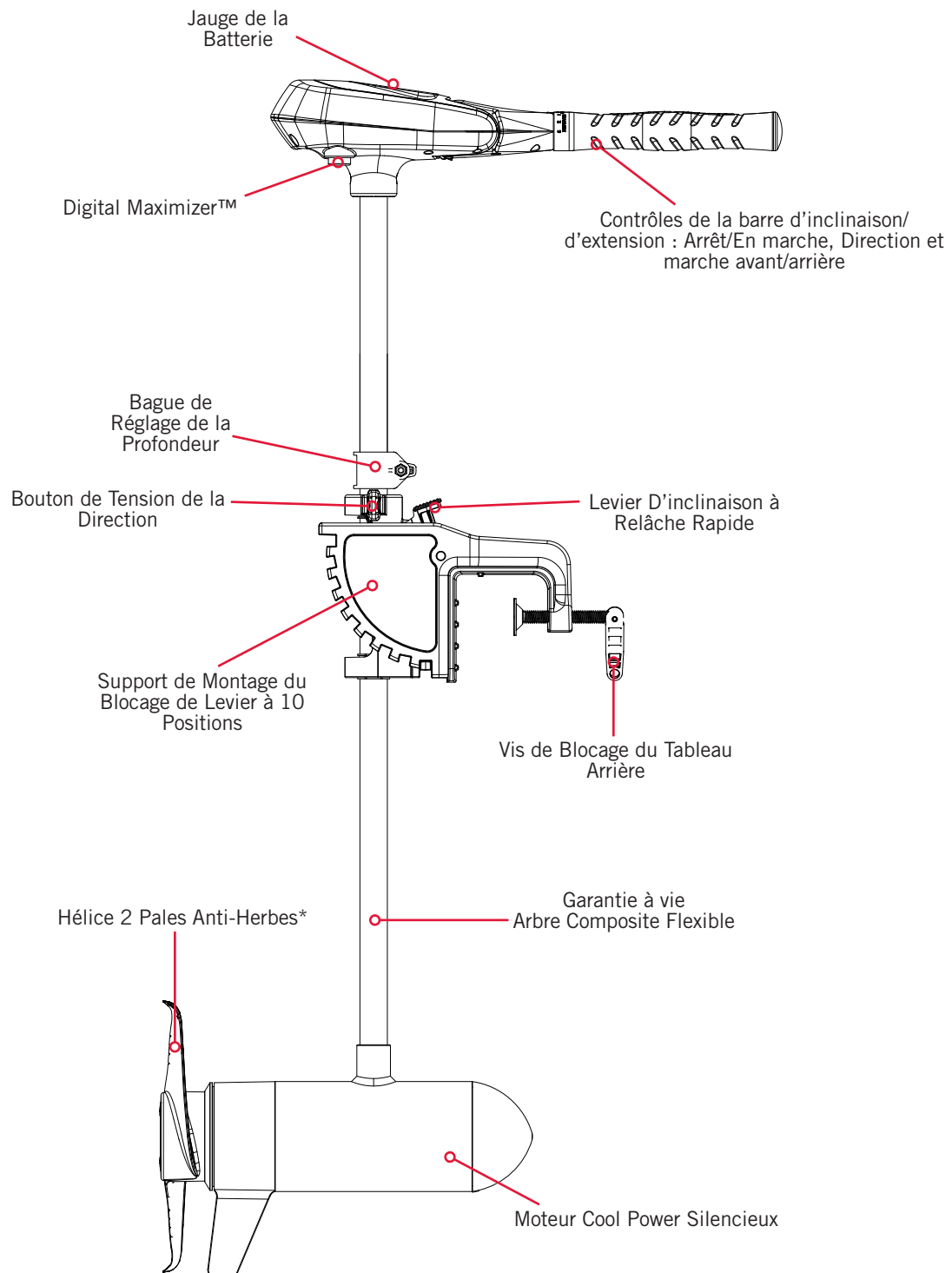
AVIS: IL N'Y A AUCUNE GARANTIE EXPRESSE AUTRE QUE LES PRÉSENTES GARANTIES LIMITÉES. AUCUNE GARANTIE IMPLICITE, Y COMPRIS QUELQUE GARANTIE IMPLICITE DE QUALITÉ MARCHANDE OU D'ADÉQUATION À UN USAGE PARTICULIER, NE SE PROLONGERA AU-DELÀ DE LA DURÉE DE LA PRÉSENTE GARANTIE LIMITÉE EXPRESSE. JOME NE POURRA EN AUCUNE FAÇON ÊTRE TENUE RESPONSABLE DES DOMMAGES PUNITIFS, INDIRECTS, ACCESSOIRES, CONSÉCUTIFS OU PARTICULIERS. Sans limiter la portée de ce qui précède, JOME décline toute responsabilité en cas de perte d'utilisation du produit, perte de temps, d'inconvénient et d'autre dommage.

Certains états ne permettent pas de limites sur la durée d'une garantie implicite ou l'exclusion ou limitation des dommages accessoires ou indirects, donc, les limitations ou exclusions ci-dessus peuvent ne pas s'appliquer à vous. La présente garantie vous donne des droits légaux spécifiques et vous pouvez également bénéficier d'autres droits qui varient d'un État à l'autre.

CONNAISSEZ VOTRE BATEAU



CARACTÉRISTIQUES



AVIS: Les spécifications peuvent faire l'objet de modifications sans préavis. Le schéma est fourni aux fins de référence seulement et peut différer de votre moteur actuel.

INSTALLATION

Installation du Moteur

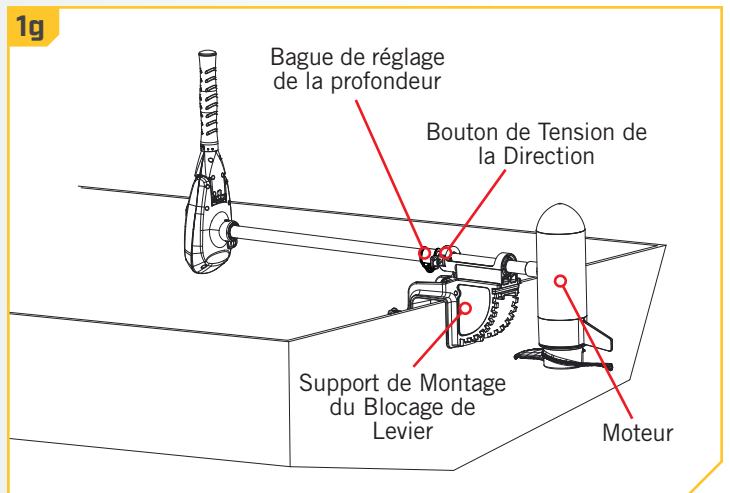
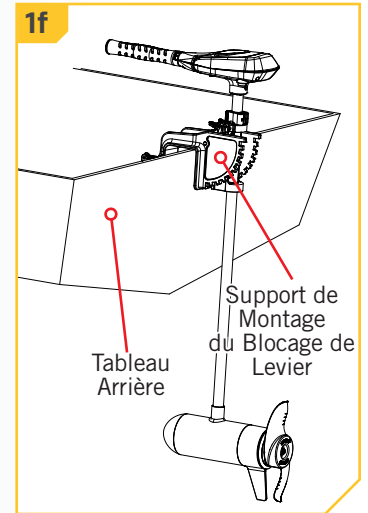
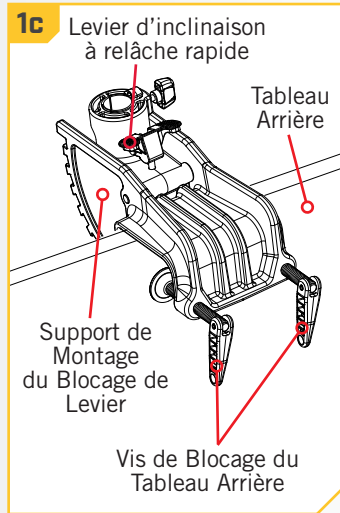
1

- Trouver une zone du tableau arrière du bateau qui est bien dégagée.
- Ouvrir suffisamment les vis de blocage du tableau arrière pour assurer sa position au-dessus du tableau arrière du bateau.
- Placer le support de montage au-dessus du tableau arrière de sorte que le support repose sur le tableau arrière.
- Vérifier qu'il n'y a pas d'obstacles pouvant nuire à l'utilisation ou l'arrimage de la boîte de commande, de la poignée ou de l'hélice, qui pourraient limiter l'angle de braquage de la direction ou endommager le moteur.
- Serrer les vis de blocage du tableau arrière pour fixer le tableau, à la main seulement. N'utiliser aucun outil pour serrer les vis de blocage, ce qui risquerait d'endommager le support ou votre bateau.

ATTENTION

Le serrage excessif des vis de blocage peut endommager le support. Si le support est endommagé, le moteur ne pourra être bien monté au tableau arrière. Évitez le serrage excessif pour ne pas endommager le support. Serrez uniquement à la main.

- Nous recommandons que l'angle d'inclinaison du moteur soit réglé de sorte que l'arbre du moteur soit perpendiculaire à la surface de l'eau lorsque le moteur est en fonction.
- Lors du transport, basculez toujours le moteur dans le bateau, afin que l'ensemble formé du moteur et de l'hélice soit entièrement sorti de l'eau et que le moteur soit placé près du support de montage.



AVIS: Ce moteur pèse environ 30 lb (14 kg). Pour l'installation, nous recommandons de vous faire aider par une deuxième personne.

AVERTISSEMENT

Lorsque le moteur est transporté sur l'eau ou la terre, il est important de le placer complètement hors de l'eau. Le moteur doit être placé près du support de montage du blocage de levier. Fixez toujours le bouton de serrage du gouvernail en place et faites coulisser le collier de la profondeur à dégageur rapide jusqu'en haut du bouton de serrage du gouvernail pour un transport plus sécuritaire. Cette mesure assure un arrimage sécuritaire et maintient le moteur en place pendant le transport, car le moteur pourrait être soumis à des vibrations et à des chocs importants pendant le transport. Ne pas fixer le moteur pourrait causer une blessure ou des dommages à l'appareil.

INSTALLATION DES BATTERIES ET DU CÂBLAGE

GRÉEMENT DE L'EMBARCATION ET INSTALLATION DU PRODUIT

Pour des raisons de sécurité et de conformité, nous vous recommandons de suivre les normes du conseil américain sur les embarcations et les yachts (ABYC) pour le gréement de l'embarcation. Les altérations dans le câblage de l'embarcation devraient être complétées par un technicien de marine qualifié. Les spécifications suivantes sont seulement des lignes directrices générales:

ATTENTION

Ces lignes directrices s'appliquent au gréement général pour soutenir le moteur de Minn Kota. L'alimentation de multiples moteurs ou d'autres appareils électriques, à partir du même circuit d'alimentation, peut influencer sur le gabarit de conducteurs et le dimensionnement des disjoncteurs recommandé. Pour un fil plus long que celui fourni avec l'appareil, suivre le tableau de dimensionnement de gabarit des conducteurs et des disjoncteurs du tableau ci-dessous. Si la longueur totale de la rallonge est de plus de 25 pi (7,60 m), nous vous recommandons de communiquer avec un technicien maritime qualifié.

ATTENTION

Un dispositif de protection contre la surintensité (disjoncteur ou fusible) doit être utilisé. Les préalables de la garde côtière exigent que chaque conducteur de courant, qui n'est pas fixé, soit protégé par un fusible ou un disjoncteur qui se réinitialise manuellement et qui ne peut se déclencher automatiquement. Le dimensionnement du type (courant et tension de puissance nominale) de fusible ou de disjoncteur doit être choisi en fonction du propulseur électrique utilisé. Le tableau ci-dessous donne les lignes directrices recommandées pour ce qui est du dimensionnement des disjoncteurs.

TABLEAU DES DIMENSIONS DE GABARIT DES CONDUCTEURS ET DISJONCTEURS

Le présent tableau des dimensions de gabarit des conducteurs et disjoncteurs est uniquement valable pour les hypothèses suivantes:

1. Il n'y a pas plus de 2 conducteurs qui sont regroupés à l'intérieur d'une gaine ou d'un conduit à l'extérieur de l'espace moteur.
2. Chaque conducteur est muni d'un isolant d'une température nominale de 105 °C.
3. Aucune chute de tension de plus de 5 % n'est autorisée lorsque le moteur est à plein régime, en fonction des exigences en matière d'alimentation du produit qui ont été publiées.

Modèle/ Poussée du Moteur	Courant Tiré Max	Disjoncteur	Longueur de la Rallonge				
			1.5 mètres	3 mètres	4.5 mètres	6 mètres	7.5 mètres
30 lb.	30	50 Amp @ 12 VDC	6 mm ²	6 mm ²	10 mm ²	16 mm ²	25 mm ²
40 lb., 45 lb.	42		6 mm ²	10 mm ²	16 mm ²	25 mm ²	25 mm ²
50 lb., 55 lb.	50	60 Amp @ 12 VDC	10 mm ²	16 mm ²	25 mm ²	25 mm ²	35 mm ²
70 lb.	42	50 Amp @ 24 VDC	6 mm ²	6 mm ²	10 mm ²	10 mm ²	16 mm ²
80 lb.	56	60 Amp @ 24 VDC	10 mm ²	10 mm ²	10 mm ²	16 mm ²	16 mm ²
101 lb.	46	50 Amp @ 36 VDC	10 mm ²	10 mm ²	10 mm ²	10 mm ²	10 mm ²
Engine Mount 101	50	60 Amp @ 36 VDC	10 mm ²	10 mm ²	10 mm ²	10 mm ²	10 mm ²
112 lb.	52	60 Amp @ 36 VDC	10 mm ²	10 mm ²	10 mm ²	10 mm ²	10 mm ²
Engine Mount 160	116	(2) x 60 Amp @ 24 VDC	16 mm ²	16 mm ²	25 mm ²	35 mm ²	35 mm ²
E-Drive	40	50 Amp @ 48 VDC	6 mm ²	6 mm ²	6 mm ²	6 mm ²	6 mm ²

AVIS : La longueur de la rallonge fait référence à la distance séparant les batteries des fils du propulseur électrique. Consultez le site Web pour connaître les options d'impulsion. Les valeurs d'intensité maximales ont lieu de manière intermittente durant certaines conditions et ne doivent pas être utilisées comme valeur nominale continue.

Référence
Le code des règlements fédéraux des États-Unis : article 183 du titre 33 du CFR - Embarcations et équipements associés ABYC E-11 : systèmes électriques CA et CC sur les embarcations.

COMMENT SÉLECTIONNER UNE BATTERIE ADÉQUATE

COMMENT SÉLECTIONNER UNE BATTERIE ADÉQUATE

Le moteur fonctionnera avec toute batterie marine plomb/acide à décharge profonde de 12 volts. Pour un meilleur résultat, utiliser une batterie marine à décharge profonde avec ampérage nominal d'au moins 105 ampères/heure. Maintenir la batterie complètement chargée. Un entretien adéquat fera en sorte que le courant sera disponible le moment venu et améliorera considérablement la durée de vie de la batterie. Le fait de ne pas recharger les batteries au plomb (dans les 12 à 24 heures) est la principale cause de défaillance prématurée de celles-ci. Utiliser un chargeur multiphase pour éviter une surcharge. Nous offrons une vaste sélection de chargeurs en fonction de vos besoins. Si vous utilisez une batterie à manivelle pour démarrer un moteur hors-bord à essence, nous vous recommandons d'utiliser des batteries marines à décharge profonde séparées pour votre propulseur électrique Minn Kota. Pour de plus amples informations sur la sélection et le grément de batterie, veuillez visiter minnkotamotors.com.

AVERTISSEMENT

Ne jamais brancher les bornes (+) et (-) de la batterie ensemble. Assurez-vous qu'aucun objet métallique ne puisse tomber sur la batterie et provoquer un court-circuit entre les bornes. Cela provoquerait immédiatement un court-circuit et un risque extrême d'incendie.

ATTENTION

Consultez le « Tableau des dimensions de gabarit des conducteurs et disjoncteurs » dans la section précédente pour trouver le disjoncteur ou fusible approprié convenant à votre moteur. Pour les moteurs nécessitant un disjoncteur de 60 A, le disjoncteur Minn Kota MKR-19 60 A est recommandé.

ATTENTION

Veuillez lire les renseignements suivants avant de connecter votre moteur à vos batteries afin d'éviter d'endommager votre moteur ou d'annuler votre garantie.

AUTRES POINTS À CONSIDÉRER

› Utilisation de Chargeurs à C.C. ou Alternateurs

Votre moteur de pêche à la traîne Minn Kota peut être conçu avec un fil de masse interne pour réduire les interférences avec d'autres sonars. La plupart des systèmes de charge alternateurs ne tiennent pas compte de ce fil de masse et connectent les bornes négatives des batteries du moteur de pêche à la traîne aux bornes négatives de la batterie à manivelle/de démarrage. Ces connexions externes peuvent endommager les composants électroniques connectés ou le système électrique de votre moteur de pêche à la traîne et ainsi annuler votre garantie. Passez attentivement en revue le manuel de votre chargeur ou consultez son fabricant afin de vous assurer que votre chargeur est compatible avant de l'utiliser.

Minn Kota recommande l'utilisation de chargeurs de marque Minn Kota pour recharger les batteries connectées à votre propulseur électrique Minn Kota, étant donné qu'ils ont été conçus de sorte à fonctionner avec les moteurs dotés d'un fil de masse.

› Accessoires Supplémentaires Connectés aux Batteries du Propulseur Électrique

Votre moteur Minn Kota, les composants électroniques de votre bateau ou votre bateau peuvent subir des dommages importants si de mauvaises connexions ont été effectuées entre les batteries de votre propulseur électrique et un autre système de batterie. Minn Kota recommande d'utiliser un système de batterie exclusif pour votre propulseur électrique. Lorsque possible, les accessoires doivent être branchés sur un système de batterie séparé. Les radios et les sonars ne doivent être connectés à aucune batterie du propulseur électrique étant donné que les interférences provenant du propulseur électrique sont inévitables. Lorsque vous connectez un accessoire supplémentaire à l'une des batteries du propulseur électrique, ou lorsque vous effectuez des connexions entre les batteries du propulseur électrique et d'autres systèmes de batterie sur le bateau, assurez-vous de respecter attentivement les indications ci-dessous.

COMMENT RACCORDER LA BATTERIE

La connexion négative (-) doit être connectée à la borne négative de la même batterie à laquelle la borne négative du propulseur électrique est connectée. Sur le tableau, cette batterie est appelée batterie « côté inférieur ». La connexion à une autre batterie du propulseur électrique fera entrer une tension positive dans la « mise à la terre » de cet accessoire, pouvant causer une corrosion excessive. Tout dommage causé par de mauvaises connexions entre les systèmes de batterie ne sera pas couvert par la garantie.

› Systèmes de démarrage d'Appoint et Commutateurs

Les systèmes de démarrage d'appoint et les commutateurs relient les bornes négatives des batteries connectées entre elles. La connexion de ces systèmes à la batterie "Côté Supérieur" ou à la batterie "Milieu" risque de causer d'importants dommages à votre propulseur électrique ou aux composants électroniques. La seule batterie du propulseur électrique qui peut être connectée de façon sécuritaire à un de ces systèmes est la batterie "Côté inférieur".

COMMENT RACCORDER LA BATTERIE

› Systèmes de 12 Volts

1. S'assurer que le moteur est coupé (sélecteur de vitesse sur « 0 »).
2. Raccorder le fil rouge positif (+) à la borne positive (+) de la batterie.
3. Raccorder le fil noir négatif (-) à la borne négative (-) de la batterie.



AVERTISSEMENT

Pour des raisons de sécurité, ne pas allumer le moteur jusqu'à ce que l'hélice soit dans l'eau. Si vous installez un raccordement en fil de plomb, respectez les polarités appropriées et suivez les instructions qui se trouvent dans votre manuel du propriétaire du bateau.



AVERTISSEMENT

- Pour des raisons de sécurité, débranchez le moteur des batteries lorsque le moteur n'est pas utilisé ou pendant la charge.
- Une mauvaise installation du câblage des systèmes de 24/36 volts pourrait provoquer une explosion des batteries.
- Gardez le serrage des écrous de papillon de raccordement solide et bien serré autour des bornes de la batterie.
- Installez la batterie dans un compartiment ventilé.

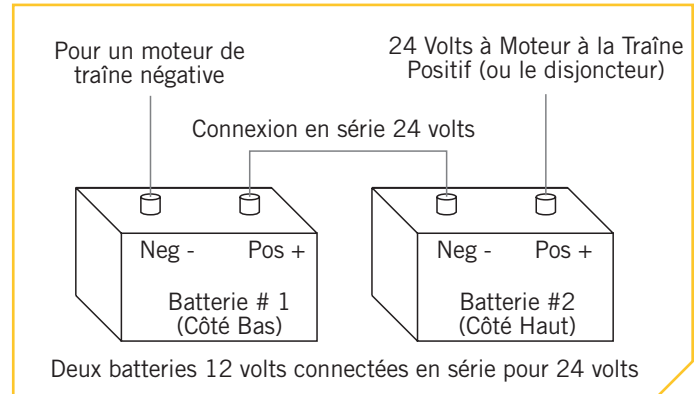
CONNEXION DES BATTERIES EN SÉRIE

BRANCHER LES BATTERIES EN SÉRIE (SI REQUIS POUR VOTRE MOTEUR)

› Systèmes de 24 Volts

Deux batteries de 12 volts sont nécessaires. Les batteries doivent être branchées en série, uniquement tel qu'illustré dans le schéma de câblage, afin de fournir 24 volts.

1. Assurez-vous que le moteur est éteint (sélecteur de vitesse sur "0").
2. Branchez un câble de raccordement à la borne positive (+) de la batterie 1 et à la borne négative (-) de la batterie 2.
3. Branchez le fil rouge positif (+) à la borne positive (+) sur la batterie 2.
4. Branchez le fil noir négatif (-) à la borne négative (-) de la batterie 1.



AVERTISSEMENT

Pour des raisons de sécurité, ne pas allumer le moteur jusqu'à ce que l'hélice soit dans l'eau. Si vous installez un raccordement en fil de plomb, respectez les polarités appropriées et suivez les instructions qui se trouvent dans votre manuel du propriétaire du bateau.

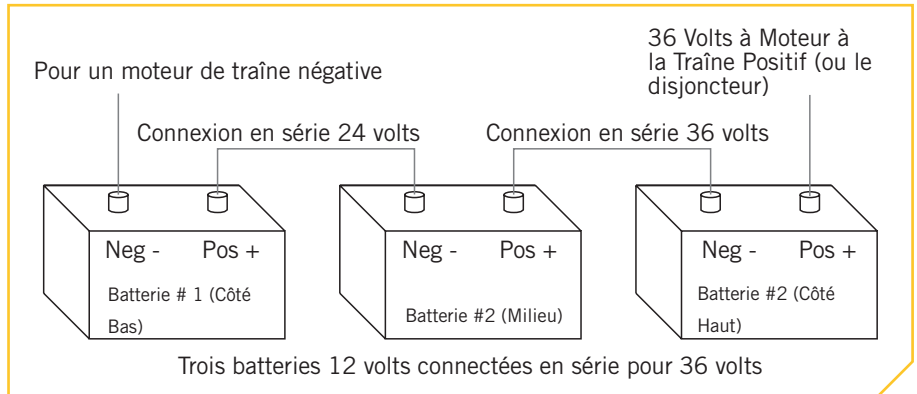
AVERTISSEMENT

- Pour des raisons de sécurité, débranchez le moteur des batteries lorsque le moteur n'est pas utilisé ou pendant la charge.
- Une mauvaise installation du câblage des systèmes de 24/36 volts pourrait provoquer une explosion des batteries.
- Gardez le serrage des écrous de papillon de raccordement solide et bien serré autour des bornes de la batterie.
- Installez la batterie dans un compartiment ventilé.

› Systèmes de 36 Volts

Trois batteries de 12 volts sont nécessaires. Les batteries doivent être branchées en série, uniquement tel qu'illustré dans le schéma de câblage, afin de fournir 36 volts.

1. Assurez-vous que le moteur est éteint (sélecteur de vitesse sur "0").
2. Branchez un câble de raccordement à la borne positive (+) de la batterie 1 et à la borne négative (-) de la batterie 2. Branchez autre câble de raccordement à la borne positive (+) de la batterie 2 et à la borne négative (-) de la batterie 3.
3. Branchez le fil rouge positif (+) à la borne positive (+) sur la batterie 3.
4. Branchez le fil noir négatif (-) à la borne négative (-) de la batterie 1.



AVERTISSEMENT

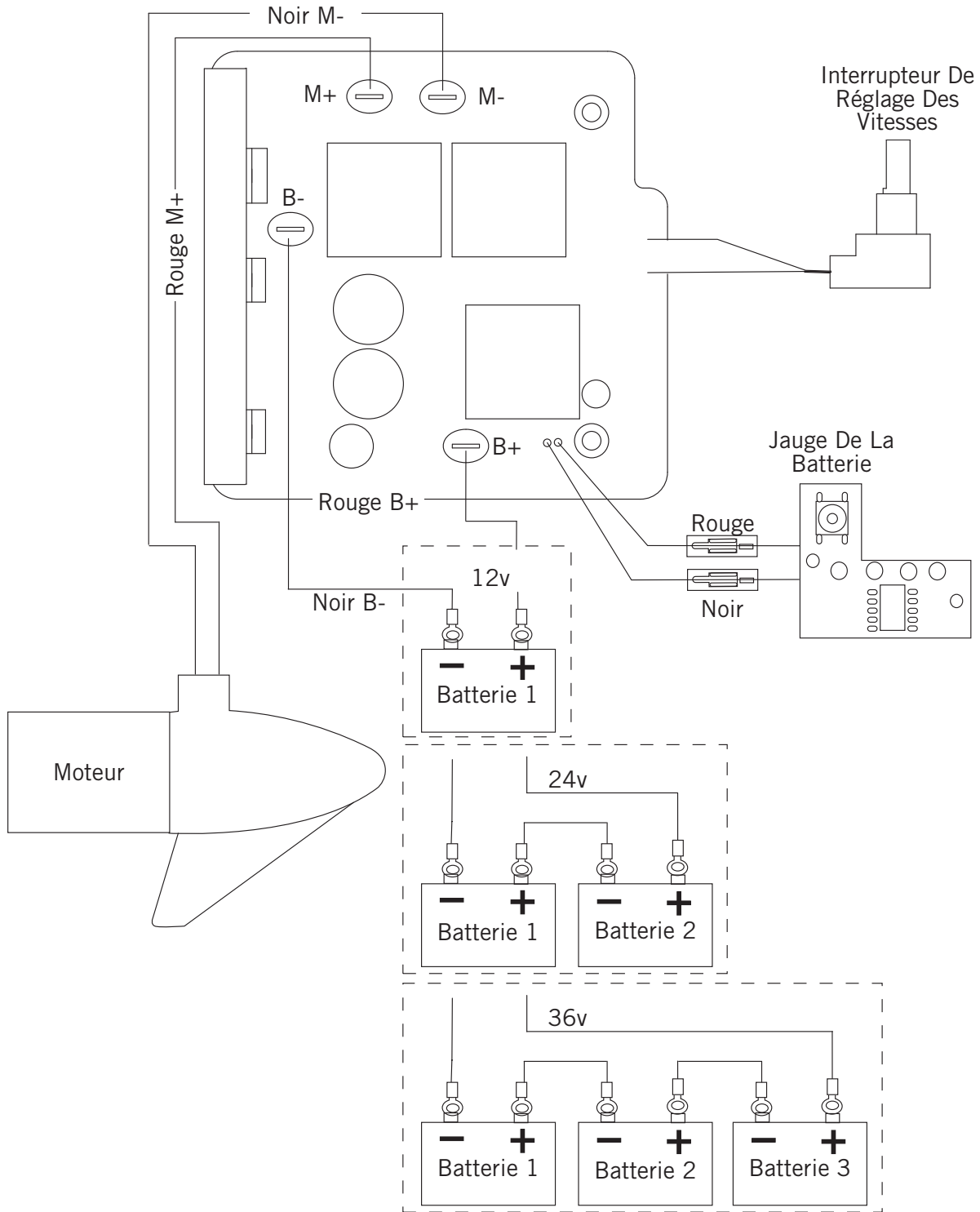
Pour des raisons de sécurité, ne pas allumer le moteur jusqu'à ce que l'hélice soit dans l'eau. Si vous installez un raccordement en fil de plomb, respectez les polarités appropriées et suivez les instructions qui se trouvent dans votre manuel du propriétaire du bateau.

AVERTISSEMENT

- Pour des raisons de sécurité, débranchez le moteur des batteries lorsque le moteur n'est pas utilisé ou pendant la charge.
- Une mauvaise installation du câblage des systèmes de 24/36 volts pourrait provoquer une explosion des batteries.
- Gardez le serrage des écrous de papillon de raccordement solide et bien serré autour des bornes de la batterie.
- Installez la batterie dans un compartiment ventilé.

SCHÉMA DE CÂBLAGE DU MOTEUR

RIPTIDE TRANSOM



AVIS: Il s'agit d'un schéma multitension. Revérifiez la tension de votre moteur afin d'effectuer les raccordements appropriés. Les dispositifs de protection contre la surintensité ne figurent pas dans cette illustration.

UTILISATION ET RÉGLAGE DU MOTEUR

ARRIMAGE ET DÉPLOIEMENT DU MOTEUR

⚠ AVERTISSEMENT

Lorsque vous remontez ou abaissez le moteur, gardez vos doigts loin de toutes charnières et tous points de pivot ainsi que de toutes pièces mobiles. Utilisez de bonnes pratiques ergonomiques lorsque vous arrimez et déployez le moteur afin de prévenir les blessures.

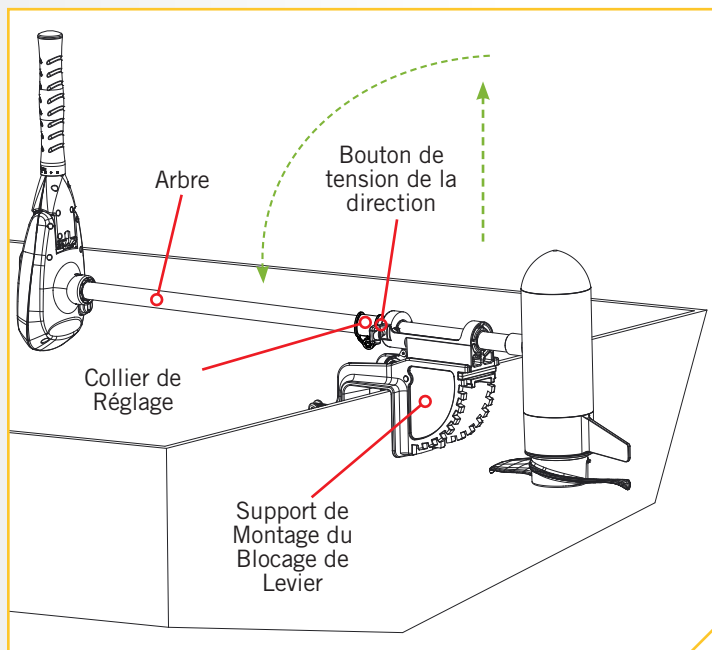
⚠ AVERTISSEMENT

Déplacer le moteur crée une variété de points de pincement. La tête du moteur formera un point de pincement si le bouton de serrage du gouvernail est desserré et que la tête du moteur glisse sur le dessus du collier de profondeur à relâche rapide. Saisir l'arbre et l'empêcher de glisser jusqu'en bas pour prévenir le point de pincement. Au moment d'ajuster le support de montage du blocage de levier en activant le bouton de verrouillage de l'inclinaison, faites attention aux points de pincement sur le support de montage, et entre l'arbre et le support de montage. Pour éviter les blessures, retirez le moteur de la zone pouvant entrer en contact avec une autre zone du moteur. Faites attention aux points de pincement autour de la barre d'inclinaison/d'extension en déplaçant le moteur. La position de la barre d'inclinaison/d'extension peut créer un point de pincement entre la barre et la tête de contrôle.

⚠ AVERTISSEMENT

Lorsque le moteur est transporté sur l'eau ou la terre, il est important de le placer complètement hors de l'eau. Le moteur doit être placé près du support de montage du blocage de levier. Fixez toujours le bouton de serrage du gouvernail en place et faites coulisser le collier de la profondeur à dégagement rapide jusqu'en haut du bouton de serrage du gouvernail pour un transport plus sécuritaire. Cette mesure assure un arrimage sécuritaire et maintient le moteur en place pendant le transport, car le moteur pourrait être soumis à des vibrations et à des chocs importants pendant le transport. Ne pas fixer le moteur pourrait causer une blessure ou des dommages à l'appareil.

- 1 a. Réglez la profondeur afin de soulever entièrement le moteur.
- b. Appuyer en continu sur le levier d'inclinaison à relâcher rapide.
- c. Basculez le moteur dans le bateau.
- d. Lors du transport, basculez toujours le moteur dans le bateau, afin que l'ensemble formé du moteur et de l'hélice soit entièrement sorti de l'eau et que le moteur soit placé près du support de montage du blocage de levier.
- e. Faites coulisser la bague de réglage de la profondeur jusqu'en haut du bouton de tension du gouvernail et serrez-la pour plus de sécurité pendant le transport.



RÉGLAGES SUPPLÉMENTAIRES

RÉGLAGES SUPPLÉMENTAIRES

› Réglage de la Profondeur du Moteur

Au moment du réglage de la profondeur, assurez-vous que le dessus du moteur est immergé à au moins 12 po (30,5 cm) afin d'éviter de faire tourbillonner ou d'agiter l'eau à la surface. L'hélice doit être complètement submergée.

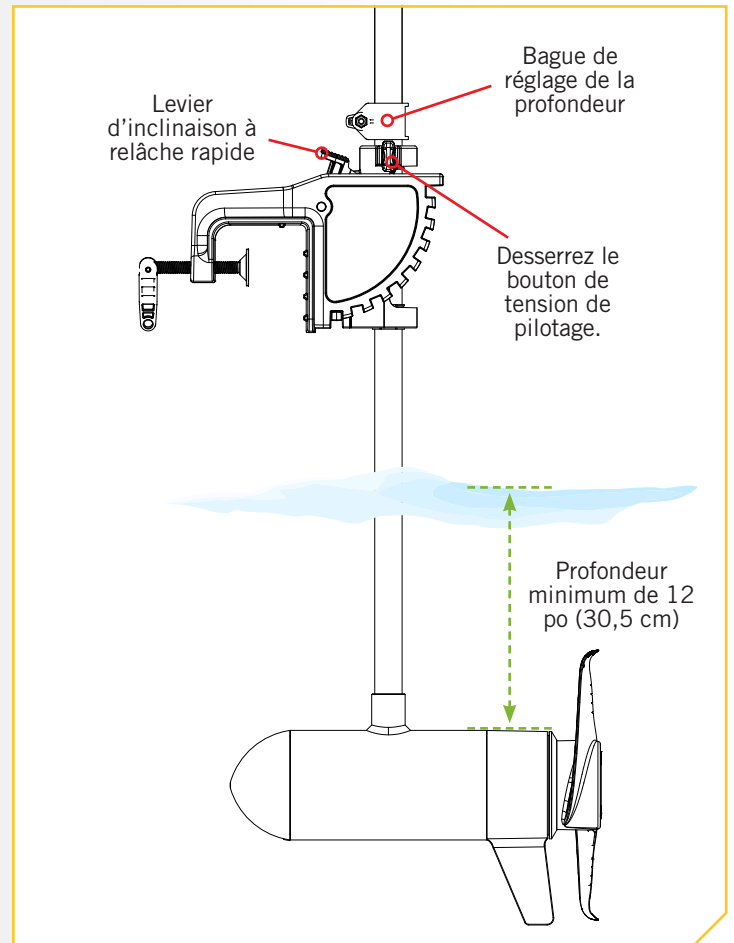
1

- Saisissez fermement l'arbre du moteur et tenez-le immobile.
- Desserrez le bouton de tension de pilotage.
- Desserrez la poignée de la bague de réglage de la profondeur pour desserrer la bague de réglage de la profondeur.
- Régalez à la verticale la hauteur du moteur à la position souhaitée.
- Placez la bague de réglage de la profondeur en haut du bouton de tension du gouvernail, et serrez la poignée de la bague de réglage de la profondeur pour la verrouiller en place.
- Serrez le bouton de serrage du gouvernail pour obtenir la tension souhaitée du gouvernail.

AVIS: Au moment du réglage de la profondeur, assurez-vous que le haut du moteur est immergé d'au moins 12 po (30,5 cm) afin d'éviter de brasser ou d'agiter l'eau à la surface.

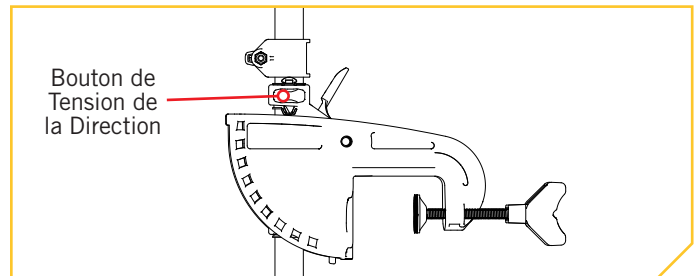
AVERTISSEMENT

La tête du moteur formera un point de pincement si le bouton de serrage du gouvernail est desserré et que la tête du moteur glisse sur le dessus du collier de réglage de profondeur. Saisir l'arbre et l'empêcher de glisser jusqu'en bas pour prévenir le point de pincement. Pour éviter les blessures, retirer le moteur de la zone pouvant entrer en contact avec une autre zone du moteur.



› Réglage du Gouvernail

Réglez le bouton de tension du gouvernail afin de fournir une tension suffisante pour permettre au moteur de tourner librement, tout en restant dans n'importe quelle position sans être ralenti, ou; serrez le bouton et placez le moteur dans une position prédéfinie afin que vous ayez les mains libres pour pêcher.

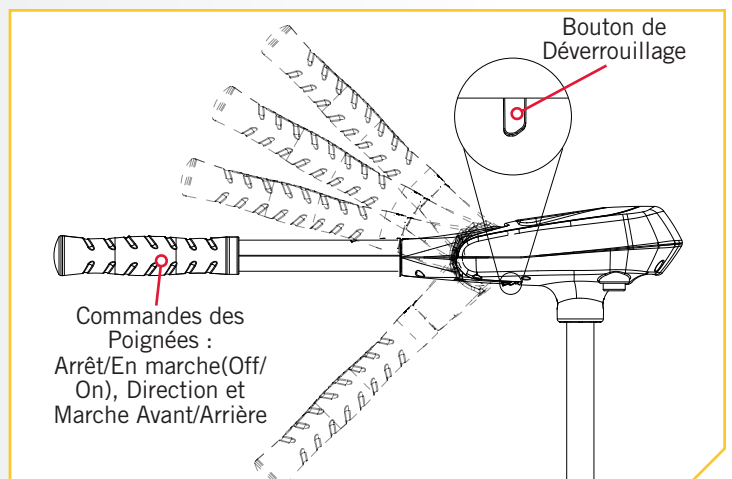


› Réglage de la Barre D'inclinaison/D'extension

Votre moteur de pêche à la traîne dispose d'une poignée permettant 7 positions d'inclinaison : De 45°, 30° et 15° vers le haut et le bas à part de la position (horizontale) de 0°. Pour utiliser les positions vers le bas, vous devez tout d'abord appuyer sur le bouton de déverrouillage situé sur la partie inférieure à gauche de la poignée de pivot.

1

- a. Pour arrimer la poignée, appuyez d'abord sur le bouton de déverrouillage situé sur la partie inférieure à gauche de la poignée de pivot, puis poussez la poignée vers le bas jusqu'à ce que vous sentiez la poignée « verrouillée » en position d'arrimage. Ce sera presque parallèle à l'arbre du moteur.
- b. Pour faire fonctionner la poignée d'extension, tirez la poignée vers vous jusqu'à la position désirée. La poignée s'allongera d'un bon 6 po (15,24 cm). Pour rétracter, poussez la poignée jusqu'à ce qu'elle atteigne l'avant de la tête de contrôle du moteur.



⚠ AVERTISSEMENT

Le Riptide Transom n'est pas destiné à être un moteur de propulsion principal. Un usage intensif du moteur peut causer des températures de moteur élevées; les températures peuvent augmenter davantage dans un environnement opérationnel excessivement chaud. Manipulez la tête de contrôle avec soin pour éviter les brûlures ou les blessures dues à la chaleur excessive. Dans l'éventualité où le moteur ou le contrôle de la vitesse serait défectueux, soyez toujours prêt à prendre le contrôle manuel du bateau.

⚠ AVERTISSEMENT

La position de la barre d'inclinaison/d'extension peut créer un point de pincement entre la barre et la tête de contrôle. Pour éviter les blessures, retirez le moteur de la zone pouvant entrer en contact avec une autre zone du moteur.

⚠ ATTENTION

Avant de tenter de mettre la poignée en position d'arrimage, le sélecteur de vitesse doit être réglé à la position ARRÊT/ARRIMAGE. Ne pas procéder ainsi endommagera le mécanisme interne.

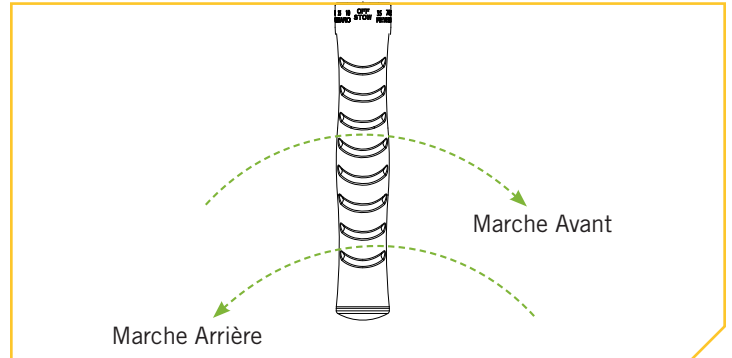
CONTRÔLE DE LA VITESSE ET DE LA DIRECTION AVEC LA BARRE

› Contrôle de la Vitesse et de la Direction Avec la Barre

Ce moteur offre des vitesses variables en marche avant et arrière. Le contrôle de vitesse s'opère dans les deux sens, en marche avant ou arrière. Tournez la poignée de la barre dans le sens antihoraire de OFF (Arrêt), pour augmenter la vitesse en marche arrière et dans le sens horaire de OFF (Arrêt) pour augmenter la vitesse en marche avant. La vitesse diminue à mesure que la poignée s'approche de l'arrêt (OFF) dans les deux sens.

AVERTISSEMENT

When the motor is not in use, always turn the Tilt/Extend Tiller handle to "OFF/STOW". If the handle is set or accidentally engaged or bumped and is not positioned to "OFF/STOW" the prop will turn on unexpectedly. The prop may also turn on unexpectedly if the control board or 5 position switch fails. Prevent injury from a turning propeller and always know how to quickly disengage the power or correct the Tilt/Extend Tiller to turn the prop off.



AVERTISSEMENT

Soyez toujours prêt pour un mouvement imprévu du bateau en utilisant le Riptide Transom. Le bateau peut éprouver des virages vifs et des secousses violentes si la direction est fortement modifiée ou si de larges changements de vitesse sont effectués lorsque le moteur est en cours d'utilisation. Conservez un bon équilibre et utilisez le moteur de manière sécuritaire.

› Réglage du Support

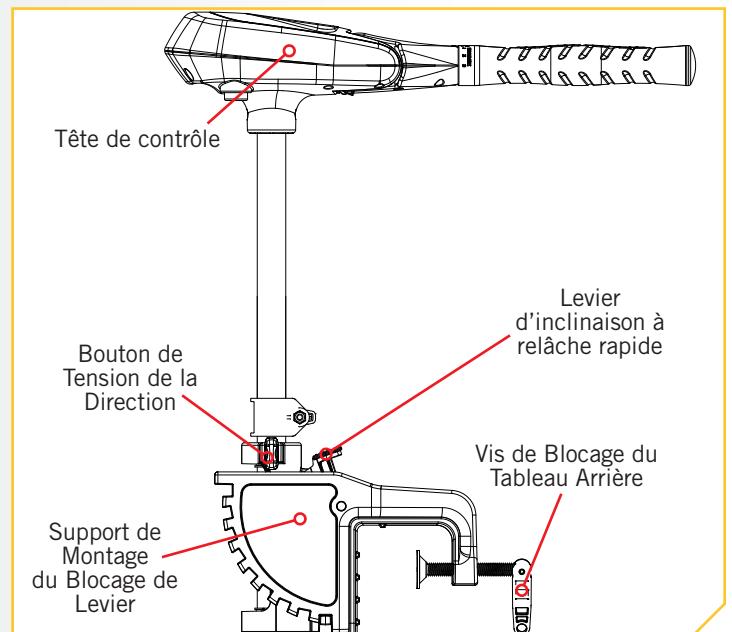
Le moteur peut être fixé à la verticale, incliné en eaux peu profondes ou complètement incliné hors de l'eau.

1

- Saisissez fermement la tête de contrôle du moteur. (Ne soulevez pas le moteur pour réaliser un réglage angulaire)
- Appuyez sur le bouton de verrouillage de l'inclinaison et maintenez-le dans cette position.
- Inclinez le moteur vers l'avant ou l'arrière à la position souhaitée, dans le support de montage.
- Relâchez le levier d'inclinaison à relâche rapide et assurez-vous que le moteur est verrouillé à la position souhaitée.

AVERTISSEMENT

Au moment d'ajuster le support de montage en activant le bouton de verrouillage de l'inclinaison, faites attention aux points de pincement entre l'arbre et le support de montage. Pour éviter les blessures, retirez le moteur de la zone pouvant entrer en contact avec une autre zone du moteur.



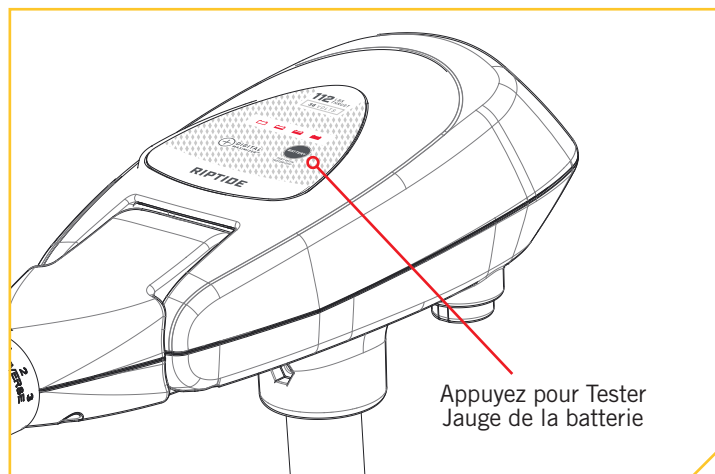
INSTALLATION D'UN TRANSDUCTEUR EXTERNE

» INDICATEUR D'ÉTAT DE BATTERIE « APPUYER POUR TESTER »

Ce moteur est muni d'un indicateur d'état de batterie « Appuyer pour tester ». Le voyant DEL assure un affichage précis de la charge restante dans la batterie. Il est uniquement précis lorsque le moteur est coupé.

Voici comment lire l'indicateur:

- Un voyant indique la recharge.
- Deux voyants indiquent une faible charge.
- Trois voyants indiquent une bonne charge.
- Quatre voyants indiquent une pleine charge.



SERVICE ET ENTRETIEN

REPLACEMENT DE L'HÉLICE

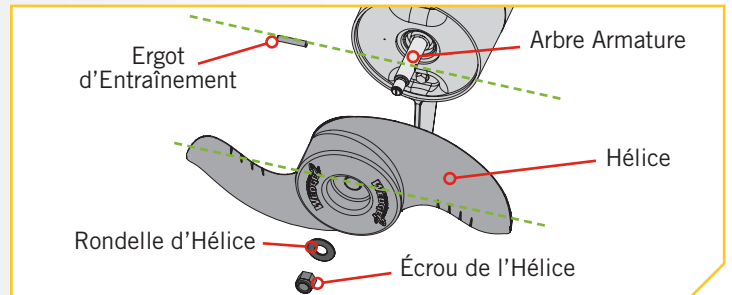
OUTILS ET RESSOURCES NÉCESSAIRES >

- Clé plate 9/16 po (14,29 mm)
- Tournevis à lame plate

INSTALLATION >

- a. Débrancher le moteur de toute source d'alimentation avant de changer l'hélice.
 - b. Maintenez l'hélice et desserrez l'écrou de l'hélice à l'aide d'une pince ou d'une clé.
 - c. Retirez l'écrou et la rondelle de l'hélice.

AVIS: Si l'ergot d'entraînement est cisailé ou cassé, tenez l'arbre stable à l'aide d'une lame de tournevis enfoncée dans la fente à l'extrémité de l'arbre pendant que vous desserrez l'écrou de l'hélice.



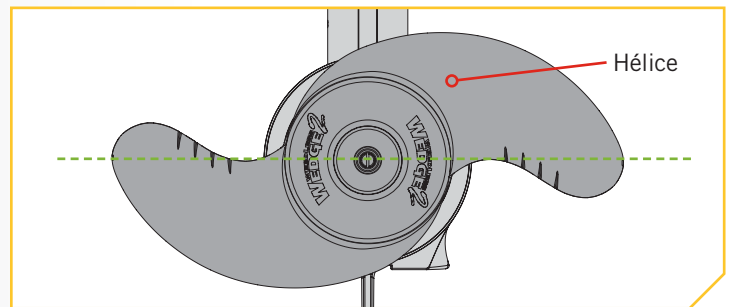
⚠ ATTENTION

Débranchez le moteur de la batterie avant d'effectuer tout travail ou entretien sur l'hélice.

- d. Tournez la vieille hélice à l'horizontale, puis la retirer à la verticale. Si l'ergot d'entraînement tombe, repoussez-le vers l'intérieur.

⚠ ATTENTION

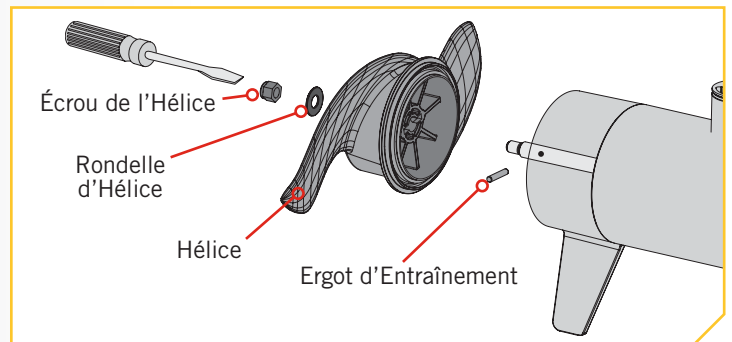
Si l'hélice ne glisse pas facilement, tirez sur l'hélice de manière égale en faisant attention à ne pas plier l'arbre armature tout en retirant l'hélice hors de l'arbre armature.



- e. Alignez la nouvelle hélice avec l'ergot d'entraînement.
 - f. Installez la rondelle et l'écrou de l'hélice.
 - g. Serrez l'écrou de l'hélice 1/4 de tour passé le serrage confortable à 25-35 po-lb (2,8-4 Nm).

⚠ ATTENTION

Ne pas trop serrer pour ne pas endommager l'hélice.



ENTRETIEN GÉNÉRAL

- Après chaque utilisation, le moteur entier doit être rincé à l'eau douce, puis essuyé avec un chiffon imbibé d'un protecteur à base de silicone et d'eau. N'aspergez pas d'eau les ouvertures de ventilation dans la tête du moteur.
- L'arbre en composite doit être régulièrement nettoyé et lubrifié pour une bonne rétraction et un bon déploiement. Une vaporisation de silicone à base aqueuse améliorera son fonctionnement.
- Après chaque utilisation, on doit inspecter l'hélice et éliminer les herbes ainsi que les lignes de pêche pouvant s'y trouver. Les lignes de pêche et les herbes peuvent se nichier derrière l'hélice, abîmer les joints et laisser l'eau pénétrer dans le moteur.
- Chaque fois que le moteur est utilisé, assurez-vous que l'écrou de l'hélice est fixé solidement.
- Afin de prévenir les dommages accidentels, pendant le transport ou l'entreposage, débranchez la batterie lorsque le moteur est hors de l'eau. Pour un entreposage prolongé, enduisez légèrement toutes les parties métalliques d'un protecteur aqueux à base de silicone.
- Pour profiter de la durée de vie maximale de la batterie, rechargez la ou les batteries dès que possible après utilisation. Pour une performance maximale du moteur, rechargez la batterie complètement avant utilisation.
- Gardez les bornes de la batterie propres à l'aide de papier sablé fin ou de toile d'émeri.
- L'hélice est conçue pour fonctionner en repoussant les algues avec un niveau d'efficacité très élevé. Pour maintenir ce haut rendement, le bord d'attaque des pales doit être gardé lisse. S'il est rugueux ou ébréché en raison de l'utilisation, le rendre lisse à nouveau à l'aide de papier de verre fin.

DÉPANNAGE

1. Le moteur ne tourne pas ou manque de puissance:
 - Vérifier la polarité des raccordements de batterie.
 - Vérifier que les bornes sont propres et exemptes de corrosion. Utiliser du papier sablé ou de la toile d'émeri pour nettoyer les bornes.
 - Vérifier le niveau d'eau de la batterie. Ajouter de l'eau, le cas échéant.
2. Le moteur baisse en puissance peu après son démarrage:
 - Vérifier la charge de la batterie. Si le niveau est bas, la remettre à pleine charge.
3. Le moteur est difficile à diriger:
 - Desserrer le bouton de tension de pilotage sur le support
 - Lubrifier l'arbre composite.
4. Si l'hélice vibre en cours de fonctionnement normal:
 - Retirer, puis faire pivoter l'hélice à 180°. Voir les directives pour le retrait dans la section portant sur le remplacement de l'hélice.
5. Votre sondeur fait l'objet d'interférences:
 - Dans certaines applications, de l'interférence à l'écran de l'échosondeur pourra survenir. Nous recommandons d'utiliser une batterie marine à décharge profonde séparée pour votre moteur de pêche à la traîne et d'alimenter l'échosondeur à l'aide d'une batterie de démarrage/à manivelle. Si les problèmes persistent, communiquez avec le service technique au 1-800 227-6433.

AVIS: Pour tout autre défaut de fonctionnement, visitez un centre de service agréé. Vous pouvez trouver un centre de service agréé dans votre région en consultant la liste de nos centres de service agréés sur le site minnkotamotors.com, ou en appelant notre service à la clientèle au 800-227-6433.

POUR D'AUTRES SERVICES DE DÉPANNAGE ET DE RÉPARATION

POUR D'AUTRES SERVICES DE DÉPANNAGE ET DE RÉPARATION

Nous offrons plusieurs options de dépannage et/ou de réparation pour le produit. Veuillez parcourir les options énumérées ci-dessous.

Acheter des pièces en ligne

Vous pouvez acheter des pièces en ligne directement à partir de notre site Web à minnkotamotors.com. Les commandes confirmées avant midi (heure du Centre) seront expédiées le même jour ouvrable, si les articles sont en stock et que l'expédition Prochain jour ouvrable est sélectionnée. Toutes les autres commandes seront expédiées en moins de 3 jours ouvrables, selon la méthode d'expédition choisie et la disponibilité des articles en stock.

Foire aux questions

Notre site Web met à votre disposition des FAQ visant à répondre à toutes vos questions au sujet des produits Minn Kota. Veuillez visiter le site Web minnkotamotors.com, puis cliquer sur « Foire aux questions » pour trouver réponse à vos questions.

Appelez-nous (pour les États-Unis et le Canada)

Nos représentants du service à la clientèle sont disponibles du lundi au vendredi, de 7 h à 16 h 30 (HNC), au 1 800 227-6433. Pour commander des pièces, veuillez avoir sous la main le numéro de série à 11 chiffres du produit, les numéros des pièces nécessaires et les renseignements relatifs à la carte de crédit. Vous économiserez ainsi du temps pour un service à la clientèle de qualité supérieure. Vous pouvez consulter la liste de votre manuel pour obtenir les numéros exacts de pièce.

Envoyez-nous un courriel

Envoyez-nous un courriel pour transmettre à notre service à la clientèle vos questions au sujet des produits Minn Kota. Pour transmettre votre question par courriel, visitez minnkotamotors.com, puis cliquez sur « Soutien ».

Centres de service agréés

On compte plus de 800 centres de service agréés Minn Kota aux États-Unis et au Canada pour acheter des pièces et faire réparer vos produits. Veuillez consulter la page Centres de service agréés sur notre site Web pour trouver un centre de service dans votre région.



Balayez le code QR pour visiter le service en ligne Minn Kota.

DÉCLARATIONS DE CONFORMITÉ

DÉCLARATION DE CONFORMITÉ ENVIRONNEMENTALE

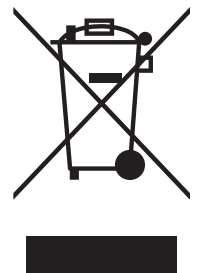
Il est dans l'intention de JOME d'être une entreprise citoyenne responsable, dont l'exploitation est conforme à la réglementation environnementale en vigueur et qui est connue pour être un bon voisin dans les collectivités où nous fabriquons ou vendons nos produits.

DIRECTIVE DEEE

La directive européenne 2002/96/CE « Directive concernant les déchets d'équipements électriques et électroniques (DEEE) » a un impact sur la plupart des distributeurs, vendeurs et fabricants d'électronique pour le grand public au sein de l'Union européenne. La directive DEEE exige que le producteur d'électronique pour le grand public prenne une part de responsabilité, en ce qui concerne la gestion des déchets de leurs produits, afin d'atteindre une élimination écologique, et ce, tout au long du cycle de vie du produit.

Il se peut que, selon votre emplacement, vous ne soyez pas tenu (e) de vous conformer à la directive DEEE pour ce qui est des équipements électriques et électroniques (EEE), et il se peut qu'il en soit de même pour les EEE conçus et destinés à être utilisés comme installations fixes ou temporaires dans les véhicules de transport tels que les voitures, les avions et les bateaux. Dans certains États de l'Union européenne, ces véhicules sont réputés ne pas relever de la directive, et les EEE, pour ces applications peuvent être considérés comme exclus de l'exigence de la directive DEEE.

Ce symbole (DEEE poubelle sur roues) sur le produit indique que ce dernier ne doit pas être jeté avec les déchets domestiques. Il doit être éliminé et collecté pour le recyclage et la récupération des DEEE. Johnson Outdoors Inc. marquera tous les produits EEE en conformité avec la directive DEEE. C'est notre but de nous conformer à la collecte, au traitement, à la récupération et à l'élimination écologique judicieuse de ces produits, mais ces exigences varient au sein des différents États membres de l'Union européenne. Pour de l'information supplémentaire sur l'endroit où vous pouvez éliminer les équipements usagés pour leur recyclage et leur récupération et/ou selon les exigences particulières de l'État membre de l'Union européenne, veuillez communiquer avec le détaillant ou le distributeur duquel vous avez acheté le produit.



ÉLIMINATION

Les moteurs Minn Kota ne sont pas soumis à la réglementation concernant l'élimination VGE-VO (directive pour les dispositifs électriques), qui transpose la directive DEEE. Néanmoins, ne jamais jeter le moteur Minn Kota dans une poubelle, mais plutôt à l'endroit approprié où s'effectue la collecte, recommandé par le conseil municipal local.

Ne jamais jeter aucune batterie à la poubelle. Se conformer aux directives d'élimination du fabricant ou de son représentant et la jeter à l'endroit approprié où s'effectue la collecte, recommandé par le conseil municipal local.

CONFORMITÉ FCC

Cet appareil est conforme à la section 15 des règles de la FCC. **Son fonctionnement est soumis aux deux conditions suivantes :**

1. Ce dispositif ne doit pas causer d'interférences nuisibles.
2. Cet appareil doit accepter toute interférence qui peut être reçue, y compris les interférences susceptibles de perturber son fonctionnement.

Les changements ou modifications non expressément approuvés par Johnson Outdoors Marine Electronics, Inc. peuvent annuler le droit d'utilisation de cet équipement accordé à l'utilisateur.

CONFORMITÉ FCC



AVIS : Cet équipement a été testé et s'est avéré conforme aux limites pour un appareil numérique de classe B, conformément à la section 15 des règles de la FCC. Ces limites sont conçues pour fournir une protection raisonnable contre les interférences nuisibles dans une installation résidentielle. Cet équipement génère, utilise et peut émettre des fréquences radio et, s'il n'est pas installé et utilisé conformément aux instructions, peut causer des interférences nuisibles pour les communications radio. Il n'existe cependant aucune garantie que des interférences ne se produiront pas dans une installation donnée. **Si cet équipement provoque des interférences nuisibles à la réception radio ou télévision, ce qui peut être déterminé en l'éteignant et en le rallumant, l'utilisateur est encouragé à essayer de corriger l'interférence par une ou plusieurs des mesures suivantes :**

- Réorienter ou déplacer l'antenne de réception.
- Augmenter la distance entre l'équipement et le récepteur.
- Connecter l'équipement à une sortie sur un circuit différent de celui sur lequel est branché le récepteur.
- Consulter le revendeur ou un technicien radio/TV expérimenté.

CONFORMITÉ AUX NORMES D'INDUSTRIE CANADA

Ce produit est conforme aux spécifications techniques applicables d'Industrie Canada. Son fonctionnement est soumis aux deux conditions suivantes: (1) cet appareil ne peut causer d'interférences et (2) il doit tolérer toute interférence, même celle pouvant causer un fonctionnement indésirable de l'appareil.

Les changements ou les modifications non expressément approuvés par Johnson Outdoors Marine Electronics, Inc. Peuvent annuler l'autorisation de l'utilisateur de faire fonctionner cet équipement.

COTES ENVIRONNEMENTALES

Température ambiante de fonctionnement : -10 à 50 °C

Humidité ambiante de fonctionnement : 5 à 95 %

Altitude maximale de fonctionnement : 10 000 pieds (3 048 mètres)



SCHÉMA DES PIÈCES ET LISTE DES PIÈCES

RIPTIDE TRANSOM 80/T - POUSSÉE DE 80 LB - 24 VOLTS - ARBRE 42 PO

Cette page fournit les consignes de dépose de Minn Kota® en conformité avec la directive DEEE. Pour de l'information supplémentaire sur l'endroit où vous pouvez vous débarrasser de l'équipement usagé pour le recyclage et la récupération et/ou sur les exigences de votre État membre de l'Union européenne, veuillez communiquer avec le détaillant ou le distributeur duquel le produit a été acheté. Outils nécessaires, mais sans s'y limiter : tournevis à tête plate, tournevis cruciforme, jeu de douilles, pinces, coupe-fils.

Diagramme des Pièces du Riptide Transom 80/T

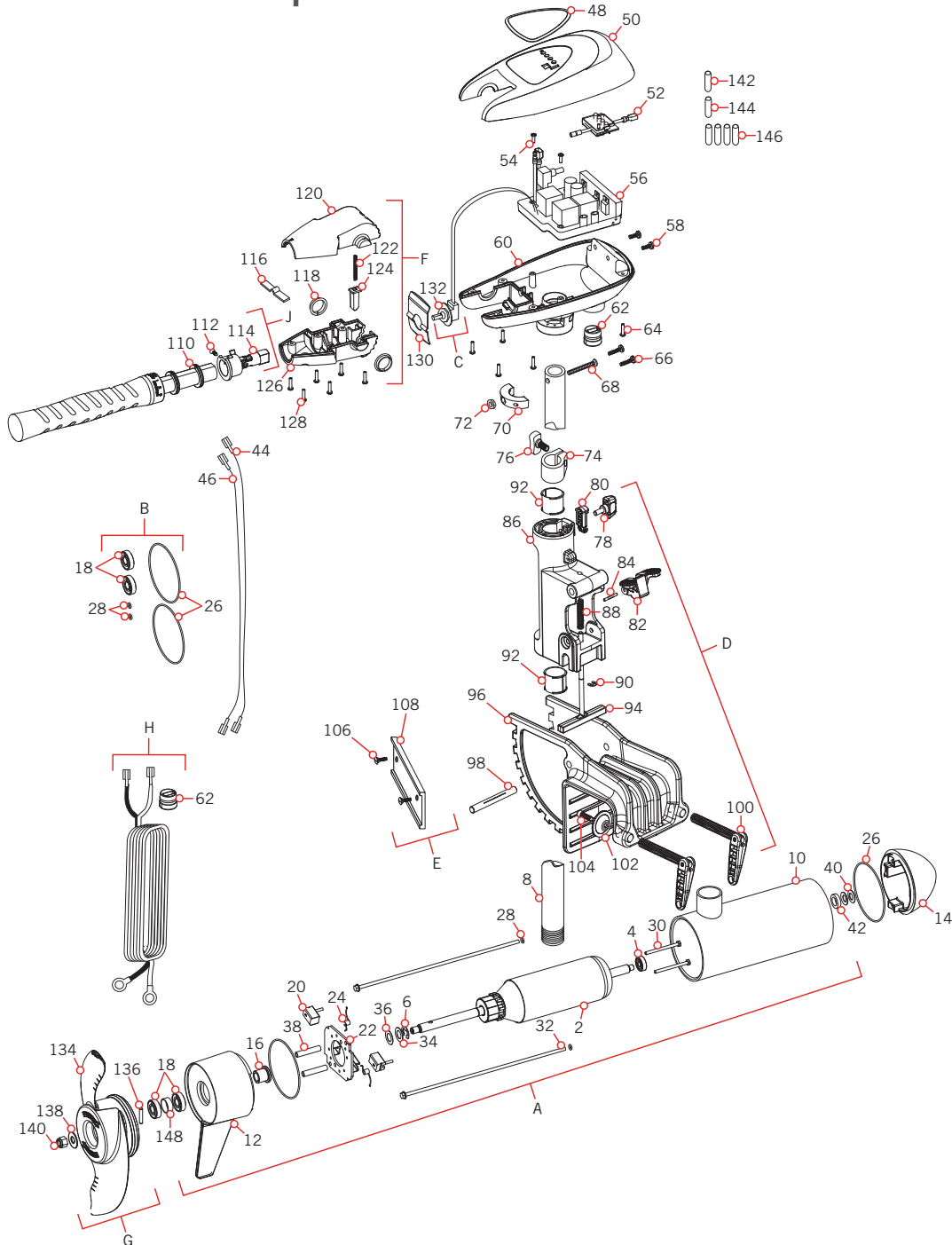


SCHÉMA DES PIÈCES ET LISTE DES PIÈCES

► Liste des Pièces du Riptide Transom 80/T

Ensemble	N° de pièce	Description	Quantité
A	2316225	24V MOTOR 42" SW	1
B	2889460	SEAL AND O-RING KIT	1
C	2888411	POTENTIOMETER REPLACEMENT KIT	1
D	2991714	BRACKET ASSY, ALUMINUM	1
E	2994844	BAG ASSEMBLY, TRANSOM EXTRUSION	1
F	2990957	HANDLE ASSY, VARS	1
G	1378132	PROPELLER KIT WW2	1
H	2992523	LEADWIRE ASSY	1
J	2990466	GRIP/HANDLE ASSY, VARS	1
N° d'article	N° de pièce	Description	Quantité
2	2-100-214	ARMATURE ASSEMBLY	1
4	140-010	BEARING	1
6	788-040	RETAINING RING	1
8	2002012	TUBE 42"	1
10	2-200-394	CENTER HOUSING ASSEMBY	1
12	2-300-340	BRUSH END HOUSING ASSEMBLY	1
14	421-376	PLAIN END HOUSING ASSEMBLY STD	1
16	144-017	FLANGE BEARING (SERVICE ONLY)	1
18	880-025	SEAL	2
20	188-094	BRUSH	2
22	738-004	BRUSH PLATE ASSEMBLY	1
24	975-041	BRUSH SPRING	2
26	701-043	O-RING, MOTOR	2
28	701-009	O-RING, THRU-BOLT	2
30	830-027	SCREW, 10-32 X 1/2"	2
32	830-094	THRU-BOLT #12-24 X 10.31	2
34	990-051	WASHER, STEEL	1
36	990-052	WASHER, NYLATRON	1
38	973-025	SPACER, BRUSH PLATE	1
40	992-010	WASHER, BELLEVILLE	2
42	992-045	THRUST SPACER	1
44	640-018	LEADWIRE, BLACK	1
46	640-123	LEADWIRE, RED	1
48	2195667	DECAL, C-BOX COVER	1
50	2060299	C-BOX COVER	1
52	2074081	BATTERY METER, 24V SW	1
54	2043427	SCREW, #8 X 7/8 SS	2
56	2184027	CONTROL BOARD, 24/36V	1
58	2303434	SCREW, #8-32 X 5/8 SS	2
60	2062538	CONTROL BOX, CAST, SW	1
62	2062905	STRAIN RELIEF	1
64	2303412	SCREW, #6-20 X 5/8 SS	6
66	2063410	SCREW, #10-32 X 3/4" CAP SS	2

N° d'article	N° de pièce	Description	Quantité
68	2093400	SCREW, #10-24 X 1-7/8" PPH SS	1
70	2061529	COLLAR-CTRL BOX (SW)	1
72	2333101	NUT, #10-24, NYLOCK, SS	1
74	2031520	COLLAR-DEPTH (W/O INSERT)	1
76	2011366	SCREW-COLLAR/NEW KNOB (SS)	1
78	2011366	KNOB, SCREW-COLLAR, SS	1
80	2062801	TENSION BLOCK	1
82	2077202	LEVER-TILT, TRANSOM BRACKET	1
84	2070512	PIN-HINGE, 1/8 X 1	1
86	2071863	HINGE-SW	1
88	2332700	SPRING-(T-BAR), SS	1
90	2333001	E-RING, SS	1
92	2037301	BUSHING, HINGE	2
94	2073604	T-BAR, (E-COAT)	1
96	2071947	BRACKET, SAND CAST SW	1
98	2070514	PIN-HINGE, 3/8 X 3.5, SS	1
100	2991303	CLAMP SCREW, HANDLE ASSY.	2
102	2331700	WASHER-CLAMP SCREW, SS	2
104	2263452	SCREW, 1/4-20 X 3/4 SHCS, SS	2
106	2053421	SCREW 1/4-14 X 1 PFH, SS	2
108	2058415	TRANSOM EXTRUSION	1
110	2060015	BEARING, HANDLE	2
112	2063405	SCREW, #6 PFH SS	2
114	2884092	YOKE / SPIDER ASSY, VARS	1
116	2302742	SPRING, DETENT, OFF	1
118	2060005	BEARING, HANDLE PIVOT	2
120	2060900	HANDLE PIVOT, TOP	1
122	2302745	SPRING, RELEASE BUTTON	1
124	2063700	BUTTON, RELEASE	1
126	2060905	HANDLE PIVOT, BOTTOM	1
128	2303412	SCREW, #6-20 X 5/8 SS	6
130	2062715	SPRING, HANDLE PIVOT	1
132	2061700	WASHER, POT HOLDER	1
134	2331160	PROPELLER WW2	1
136	2262658	DRIVE PIN, LARGE	1
138	2091701	WASHER, PROP, LARGE	1
140	2198401	NUT, NYLOCK, PROP, ANODE	1
142	2305415	SHRINK TUBE	1
144	2305410	SHRINK TUBE	1
146	2305403	SHRINK TUBE	4
148	725-095	PAPER TUBE-SEAL BORE	1

✘ Cette pièce est incluse dans un ensemble et ne peut pas être commandée individuellement.

▲ Non visible sur le schéma des pièces.

ACCESSOIRES RECOMMANDÉS

CHARGEURS DE BATTERIE EMBARQUÉS ET PORTATIFS

Ne plus acheter de nouvelles batteries et commencer à prendre soin de celles déjà en votre possession. Plusieurs chargeurs peuvent en fait endommager les batteries à la longue, pouvant entraîner une autonomie réduite et une durée de vie plus courte. Les chargeurs Minn Kota à commande numérique assurent une charge rapide pour une protection et une durée de vie prolongée.



MK212PC



MK210D



MK110PD

ANCRE POUR EAUX PEU PROFONDES TALON

Voici le tout nouveau Talon à nouvelle conception profilée. Talon est la seule ancre pour eaux peu profondes avec jusqu'à 15 pi (4,6 m) de profondeur d'ancrage, plusieurs modes d'ancrage et le contrôle à partir de la proue, du tableau arrière, de la console, de la télécommande ou d'un appareil mobile.



ÉCLAIRAGE DE TRAVAIL INTÉGRÉ

Vous permet de fixer les lignes et de travailler à partir du tableau arrière à tout moment de la journée, ou de la nuit. Comprend des lumières DEL blanches et bleues avec trois intensités.



JUSQU'À UNE PROFONDEUR DE 15 PI (4,6 M)

Contrôlez plus d'eau et attrapez plus de poissons avec la première ancre de 15 pi (4,6 m) pour eau peu profonde.



CONNECTIVITÉ BLUETOOTH®

Vous permet de contrôler votre Talon à partir de votre appareil mobile, ainsi que le mettre à jour facilement. Elle ouvre aussi la communication à d'autres options de contrôle.



D'AUTRES OPTIONS DE COMMANDE

- Panneau de commande
- Télécommande sans fil
- Application mobile
- Pédale sans fil
- Connectivité Humminbird^{MD}
- Télécommande i-Pilot[®] et i-Pilot Link



ACCESSOIRES MINN KOTA

Nous offrons un large éventail d'accessoires pour les propulseurs électriques, y compris:

- Un Disjoncteur de 60 A
- Des Supports de Montage
- Des Ensembles Stabilisateur
- Des Rallonges de Poignée
- Des connecteurs de batterie
- Bacs à Batterie
- Des fiches de connexion rapide

