


DUAL NMEA Y-CABLE Installation Guide

532138-2_A

OVERVIEW

Use the Dual NMEA Y-Cable to connect two NMEA 0183 accessories to a SOLIX® or ONIX® control head. We encourage you to read this guide completely before you start the installation so you may understand the installation requirements.

Customer Service: Contact Humminbird Customer Service at **1-800-633-1468** or visit our Web site at humminbird.com.


 **NOTE:** A separate power source is required for each attached accessory.

 **NOTE:** Product specifications and features are subject to change without notice.

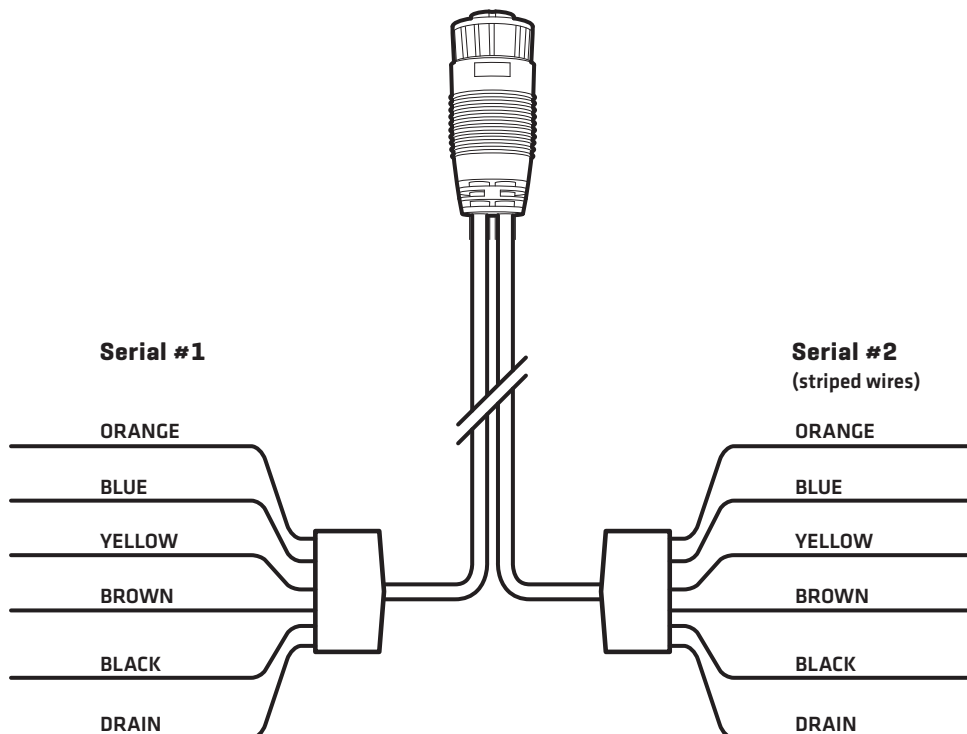
1 | Connecting the NMEA 0183 Accessories to the Y-Cable

Each accessory should include a NMEA 0183 data cable with bare wires for connecting to the Humminbird Y-Cable. Refer to the accessory's user manual for information about the data cable.

1. Turn off the power for the SOLIX or ONIX control head and each accessory.

 **WARNING!** Turn off power for all related equipment before you start the installation.

2. Use the accessory manual to locate the following wires on the Accessory Data Cable: transmit A(+), transmit B(-), receive A(+), receive B(-), ground, and drain.
3. Choose one set of bare wires on the Y-Cable [Serial #1 or Serial #2].




Continued on the other side...

DUAL NMEA Y-CABLE Installation Guide

- Connect the Y-Cable wires to the Accessory Data Cable wires as shown in the following table. Tape or apply heat-shrink insulation to each connection to prevent shorting the wiring.

RS-422 Dual NMEA Y-Cable (NMEA 0183)	RS-422 Accessory Data Cable (NMEA 0183)
Orange: Transmit A[+]	Receive A[+]
Blue: Transmit B[-]	Receive B[-]
Yellow: Receive A[+]	Transmit A[+]
Brown: Receive B[-]	Transmit B[-]
Black: Ground	Ground
Bare: Drain	Drain

 **NOTE:** Whether connecting to Serial #1 [solid wires] or Serial #2 [striped wires], the connection information is the same for each set.

If the accessory data cable has a different set of wires, you may use the following optional wiring chart:

RS-422 Dual NMEA Y-Cable (NMEA 0183)	RS-232 Accessory Data Cable (NMEA 0183)
Orange: Transmit A[+]	Receive A[+]
Blue: Transmit B[-]	Ground
Yellow: Receive A[+]	Transmit A[+]
Brown: Receive B[-]	Ground
Black: Ground	Ground
Bare: Drain	Ground

- If the Accessory Data Cable does not include a drain wire, tape or apply heat-shrink insulation to the Y-Cable drain wire.
- Repeat Steps 2 through 5 for the second accessory.

2 | Routing the Cable

- Route the Y-Cable to the control head.
- Insert the Y-Cable connector into the NMEA 0183 port on the control head. The ports are labeled, and the connector is keyed to prevent incorrect installation.
- Hand tighten the screw nut to secure the connection.
- Follow the instructions in the accessory manuals to connect each accessory to a power source.

3 | Setting the Baud Rate

The baud rate on the SOLIX and ONIX NMEA 0183 ports defaults to Auto. To select a specific baud rate, use the following instructions.

- From the Home screen, select Settings.
- Select Network > NMEA 0183 [1] or NMEA 0183 [2] > Baud Rate.
- Select a Baud Rate. Tap, or press the ENTER key, to confirm the selection.

Connecting the Dual NMEA Y-Cable to the NMEA 0183 Port (magnified view)

