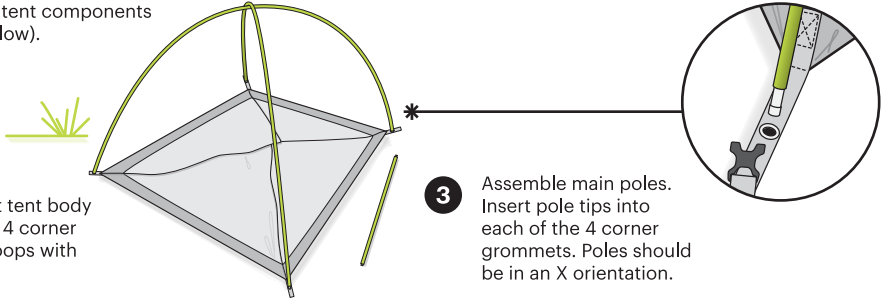
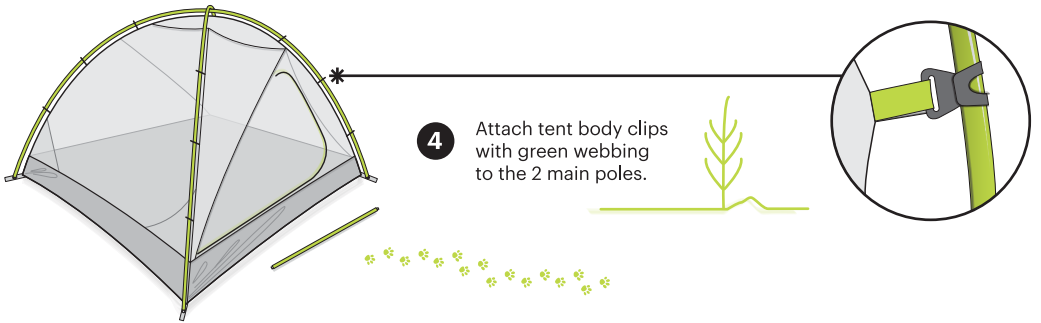


- 1** Identify all tent components (see list below).

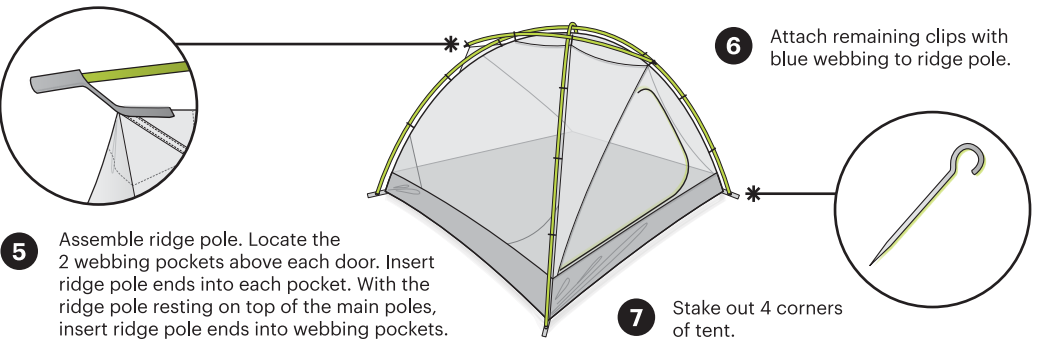


- 2** Spread out tent body and locate 4 corner webbing loops with grommets.

- 3** Assemble main poles. Insert pole tips into each of the 4 corner grommets. Poles should be in an X orientation.

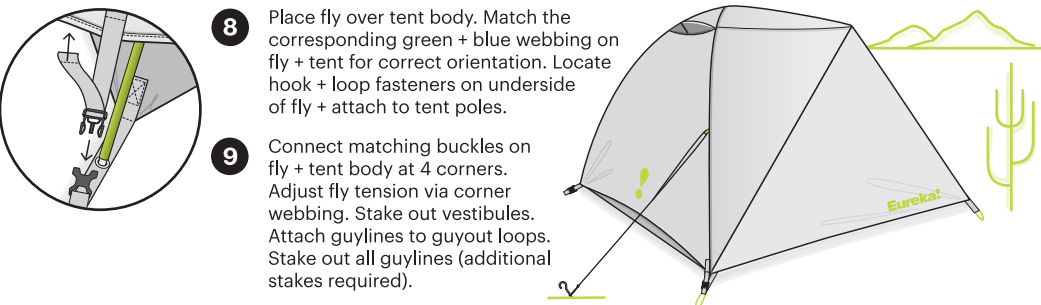


- 4** Attach tent body clips with green webbing to the 2 main poles.



- 5** Assemble ridge pole. Locate the 2 webbing pockets above each door. Insert ridge pole ends into each pocket. With the ridge pole resting on top of the main poles, insert ridge pole ends into webbing pockets.

- 6** Attach remaining clips with blue webbing to ridge pole.



- 8** Place fly over tent body. Match the corresponding green + blue webbing on fly + tent for correct orientation. Locate hook + loop fasteners on underside of fly + attach to tent poles.

- 9** Connect matching buckles on fly + tent body at 4 corners. Adjust fly tension via corner webbing. Stake out vestibules. Attach guylines to guyout loops. Stake out all guylines (additional stakes required).

- 7** Stake out 4 corners of tent.

TENT CONTENTS

Tent body + Tent fly
Main frame poles (2)
Ridge pole (1)
Stakes (8)
Guylines (6)
Gear loft

QUESTIONS?

Johnson Outdoors Gear, Inc.
USA: 1-800-572-8822
www.eurekacamping.com
Johnson Outdoors Canada
Canada: 1-800-263-6390
www.eurekatentscanada.com

TENT TIPS

- Always stake down tent, including all guyout points.
- Increase interior airflow by opening the fly vent and using the High/Low Air Exchange fly feature.

TENT CARE

- Make sure the tent is completely dry, then store loosely rolled in a dry cool place.
- Clean your tent by setting it up and wiping it down with a mild soap and luke warm water. Never use laundry detergent, washing machines or dryers.

WARRANTY

- Your Eureka! tent is covered by a limited lifetime warranty. For more details please visit the website or contact customer service.