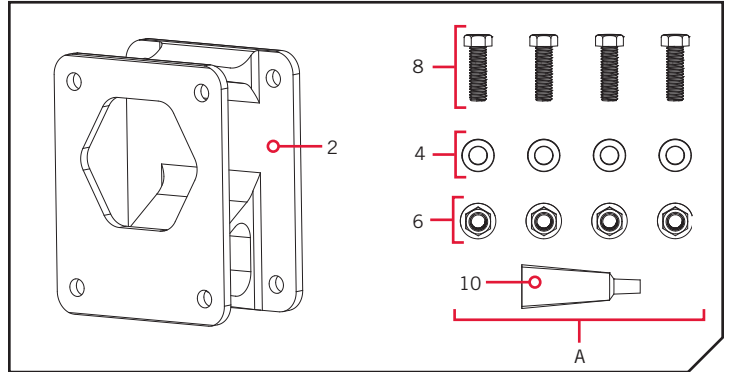


The Raptor 3" Setback Bracket can be installed directly to either the port or starboard transom of the boat.

| Item / Assembly | Part # | Description | Qty. |
|-------------------|---------|-----------------------------------|------|
| 2 | 2352802 | SETBACK BRACKET, PAINTED | 1 |
| | 2352803 | SETBACK BRKT, PAINTED WHT *white* | 1 |
| ▲ | 2354912 | INSTRC-INSTALL,SETBACK BRK | 1 |
| A Items 4 - 10 | 2994940 | BAG ASM,SETBACK HDW,RPTR | 1 |
| 4 | 2371758 | WASHER-3/8 HD FLAT SS | 4 |
| 6 | 2353102 | NUT-3/8-16 FLANGE,NYLOK,SS | 4 |
| 8 | 2383422 | SCREW-3/8-16 X 1 1/4 HHCS SS | 4 |
| 10 | 2378608 | ANTI SEIZE TUBE, 4CC | 1 |



* This part is included in an assembly and cannot be ordered individually.

▲ Not shown on Parts Diagram.

NOTICE: Use the 3" Setback Bracket (1810370 and 1810375 - white) when 3" of additional setback is needed. May be mounted directly to the transom or added to a 4" or 6" Jack Plate bracket for either a Port or Starboard installation. The Setback Bracket may also be paired with the Raptor Direct Mount Angle Bracket (1810371 and 1810376 - white) for additional mounting options.

TOOLS AND RESOURCES REQUIRED

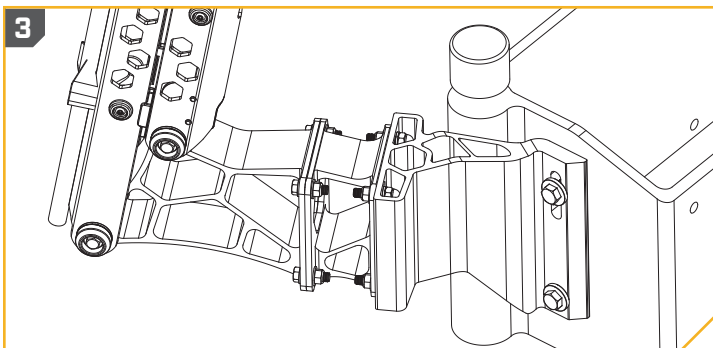
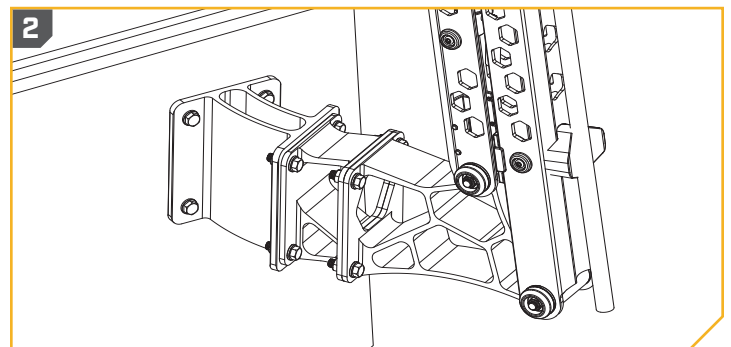
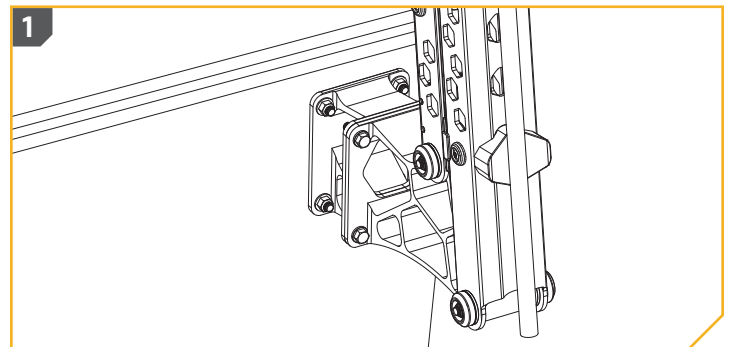
- Drill
- 9/16" Box End or Socket Wrench
- Marine Grade Sealant
- 20ft/lb capacity Torque Wrench
- Awl or similar marking tool
- A second person to help with installation
- Masking Tape
- 7/16" Drill Bit
- File, sand paper, or emery board
- 9/16" Open End Wrench

MOUNTING CONSIDERATIONS

Complete Typical Installation

The Raptor 3" Setback Bracket can be used to mount the Raptor in a variety of ways. This includes:

1. Directly to the Transom of the boat, with the Raptor Built-in Mounting Bracket mounted to the 3" Setback Bracket.
2. Between the Raptor Direct Mount Angle Bracket and the Built-in Raptor Mounting Bracket.
3. Between any one of the Raptor Jack Plate brackets and the Raptor Built-in Mounting Bracket.



Mounting Considerations

Before mounting your Raptor 3" Setback Bracket to the boat, please give consideration to the following:

1. Unobstructed Mounting - When selecting the mounting location, examine your boat to ensure that you will not drill into any obstructions and that the hardware will be accessible for assembly.

2. Unobstructed Deployment and Retraction - The Raptor is designed to mount on either the port or starboard side of the transom. The Raptor must have a clear, unobstructed path to deploy. Check to make sure that your proposed location will allow the anchor to deploy and retract without hitting trim tabs, poling platforms, ladders, the engine or other obstructions. You should also consider your fishing methods when selecting the mounting location.

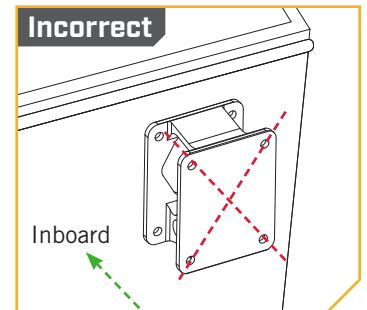
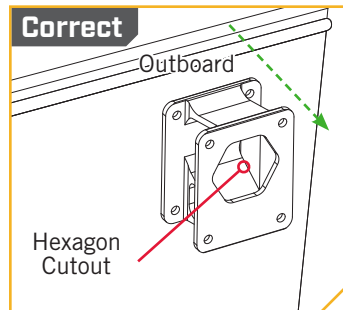
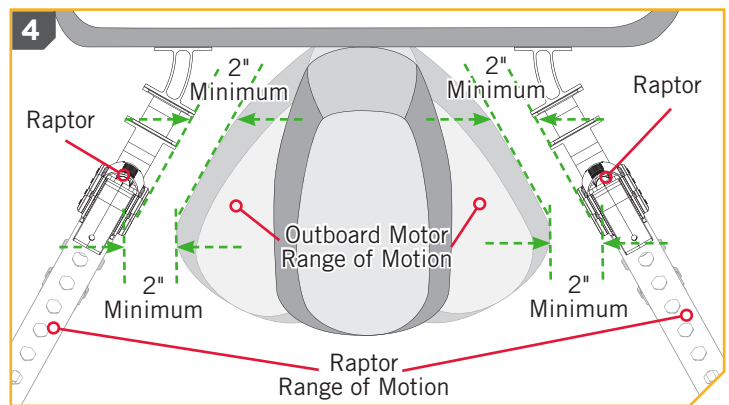
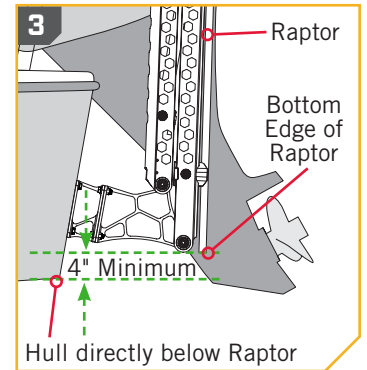
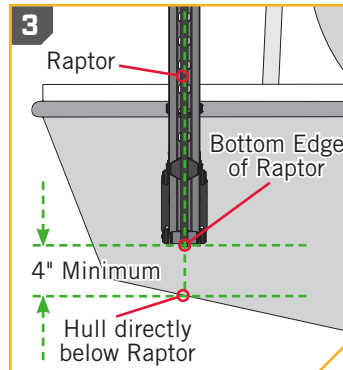
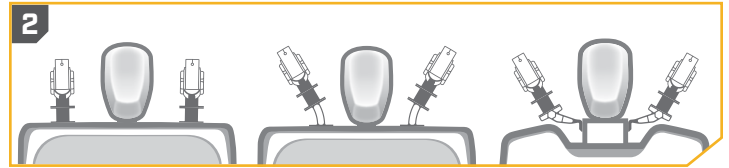
3. Raptor to Hull Clearance - The bottom edge of the Raptor should never be less than 4" above the hull directly below the Raptor to prevent spray and drag conditions. This applies to any bracket mounting configuration used.

4. Raptor to Engine Clearance - When selecting a mounting location, make sure that no interference exists between the Raptor and your engine during normal operation. Once you have selected your mounting location, trim the engine all the way up and all the way down, and steer the engine fully to the left and right to confirm proper engine clearance. Ensure there is a minimum of two to three inches of clearance from any point on the Raptor in all states of stow and deploy.

5. Hexagon Cutout - When mounted on either the Port or Starboard side, the bracket should always be oriented to with the hexagon cutout facing away from the transom. When mounting the Setback Bracket with additional Raptor mounting brackets, the Hexagon Cutout should always face towards the Built-in Raptor Mounting Bracket.

NOTICE: These installation steps switch between mounting options and may differ from your actual installation.

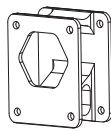
NOTICE: When mounting the 3" Setback Bracket to the Transom it is recommended to review the additional mounting considerations for the complete installation of the Raptor. They can be found online at minnkotamotors.com in the "Installation" section of the Raptor Owner's Manual or Installation Instructions. They including how to mount the Hydraulic Pump and route the Hydraulic Hoses along with other recommendations.



> Installing the 3" Setback Bracket Directly to the Transom

1

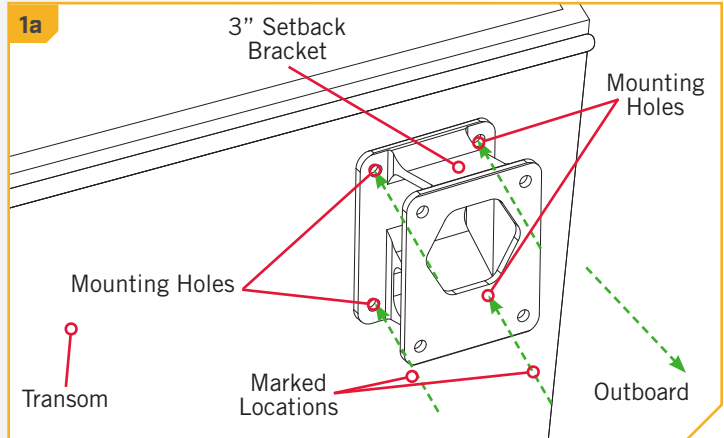
ITEM(S) NEEDED



#2 x 1

- a. Review the Mounting Considerations to determine if it is acceptable to complete a direct mount of the Raptor 3" Setback Bracket. If acceptable, position the 3" Setback Bracket (Item #2) at the selected location. Make sure that the Hexagon Cutout is positioned away from the Transom and facing Outboard. With the bracket level and in place, mark all four Mounting Holes with a pen or similar marking tool.

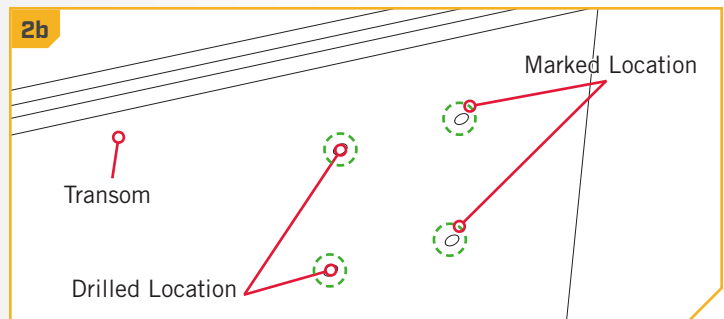
NOTICE: It is recommended to have a second person help with installation.



2

- b. Double check that the mounting location is clear to drill holes and then use a Drill with a 7/16" Drill Bit to drill through the Transom/Stern of the boat on the marked locations.

NOTICE: When drilling holes into fiberglass, it is helpful to first cover the surface with masking tape. This will help keep the boat surface unmarked and help with cleanup. Cover the surface and then mark the location to drill. Once the holes are drilled, remove the masking tape before continuing installation.

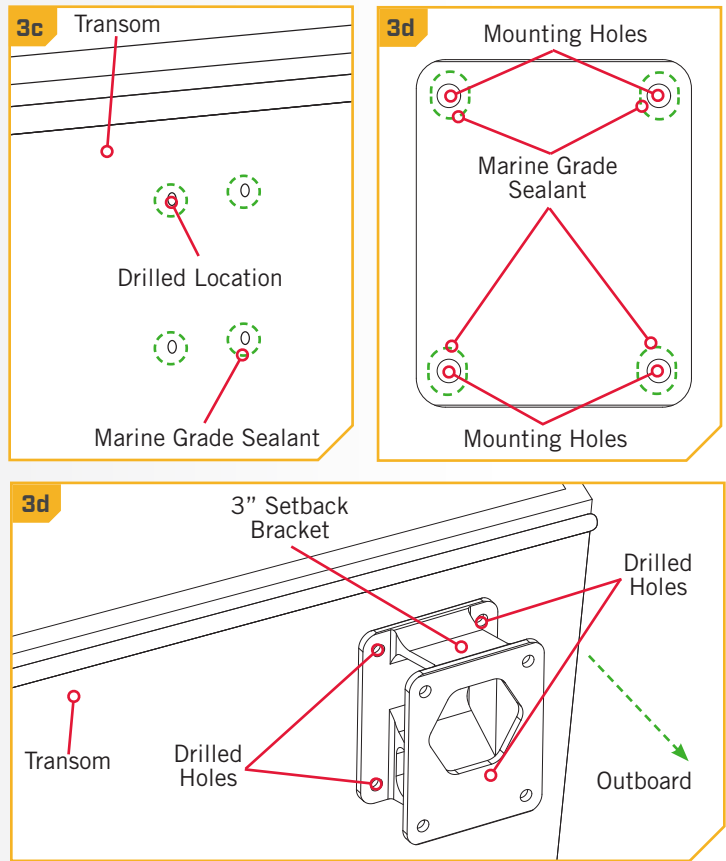


NOTICE: When drilling the marked holes, make sure that the drill bit is perpendicular to the Transom/Stern of the boat and that the holes are being drilled straight. Not drilling the holes straight will give the mounting hardware a poor fit.

3

- c. Place a 1/8" bead of Marine Grade Sealant on the Transom of the boat around the drilled holes.
- d. Place the Marine Grade Sealant around the Mounting Holes on the face of the 3" Setback Bracket that will contact the boat Transom/Stern when mounted. This should be the face of the bracket without the Hexagon Cutout. Keep the sealant approximately centered between the outside edge of the Mounting Bracket and the Mounting Holes. Once the sealant is in place, align the 3" Setback Bracket in the desired orientation with the holes that were drilled in the Transom/Stern.

NOTICE: To install the 3" Setback Bracket to the boat, the Hardware Kit (Assembly 2994943) included with the Raptor will be needed. This includes Four (Part #2371758) Flat Washers, Four (Part #2371759) Stainless Steel Fender Washers, Four (Part #2383421) 3/8 - 16 X 3 1/2 Stainless Steel Hex Head Cap Screws, Four (Part #2353102) Stainless Steel Nylock Flange Nuts and anti-seize.



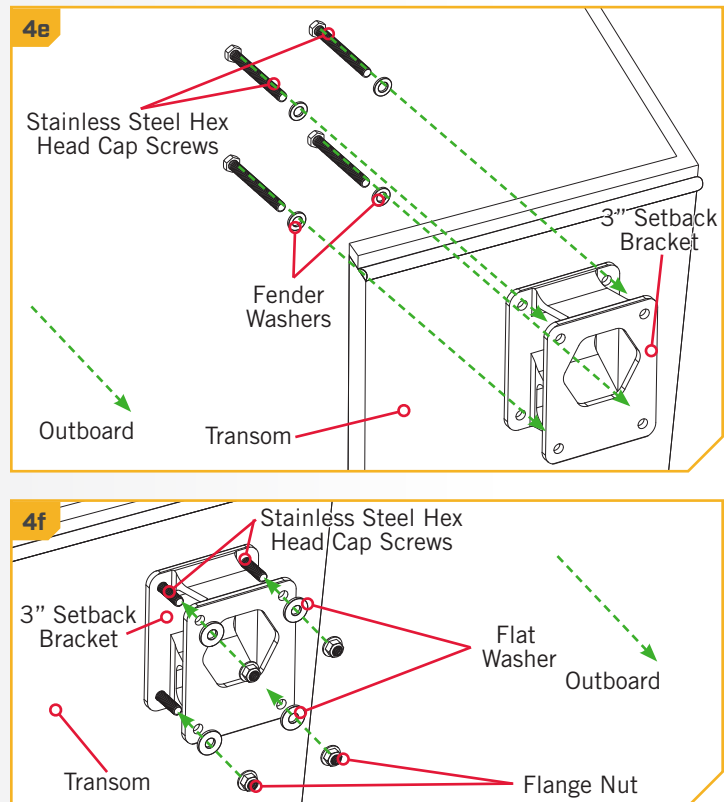
4

ITEM(S) NEEDED



- e. To install the 3" Setback Bracket to the Transom, use the Mounting Hardware Kit 2994943 provided with the Raptor. Take each of the four 3-1/2" Stainless Steel Hex Head Cap Screws (Part #2383421) and place one Fender Washer (Part #2371759) on them. Apply anti-seize (Item #10) to the hardware. The Hex Head Cap Screws will pass through the Drilled Holes on the Transom, passing from inboard to outboard. Once through the Drilled Holes in the Transom, they will pass into the Mounting Holes on the 3" Setback Bracket.
- f. Place a Flat Washer (Part #2371758) on the end of each screw on the Outboard side of the 3" Setback Bracket and then secure each with a Flange Nut (Part #2353102). Apply anti-seize to the threads before tightening. Tighten the screws with a 9/16" Box End or Socket Wrench. Do not over-tighten. Tighten to 20 ft-lbs.

NOTICE: To prevent seizing of the stainless steel hardware, do not use high speed installation tools. Applying an anti-seize may help prevent seizing.



5

ITEM(S) NEEDED



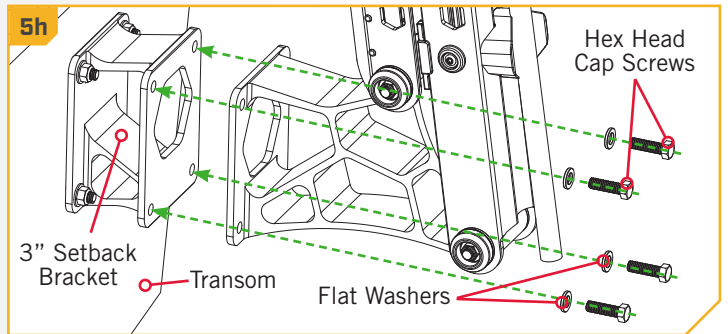
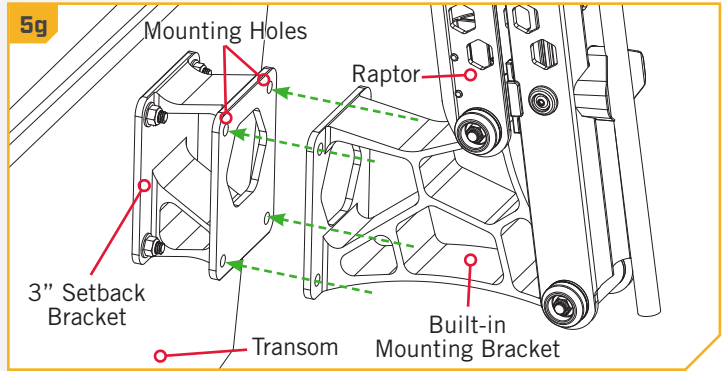
#8 x 4



#4 x 4

- g. With the 3" Setback Bracket secured to the Transom, take the Raptor and align the Built-in Mounting Bracket with the Mounting Holes on the 3" Setback Bracket.
- h. With the help of a second person, hold the Raptor in place to install the mounting hardware. Take the four 1-1/4" Stainless Steel Hex Head Cap Screws (Item #8) and four of the Stainless Steel Flat Washers (Item #4). Place a Washer on the end of each screw and then apply Anti-seize to the threads of each Screw. Insert each screw with washer into the Raptor Built-in Mounting Bracket and then into the 3" Setback Bracket.

NOTICE: To prevent seizing of the stainless steel hardware, do not use high speed installation tools. Applying an anti-seize may help prevent seizing.



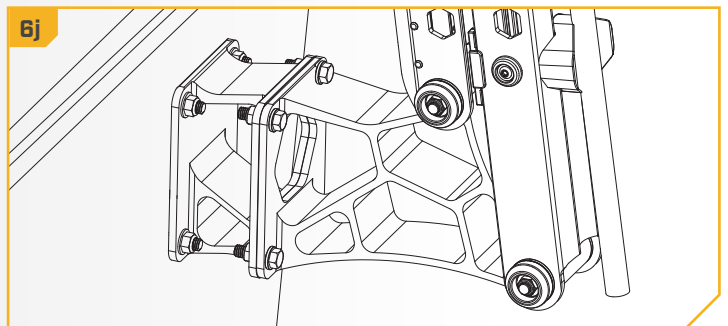
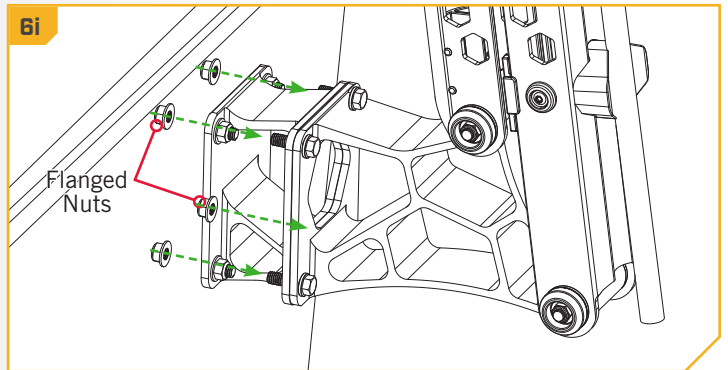
6

ITEM(S) NEEDED



#6 x 4

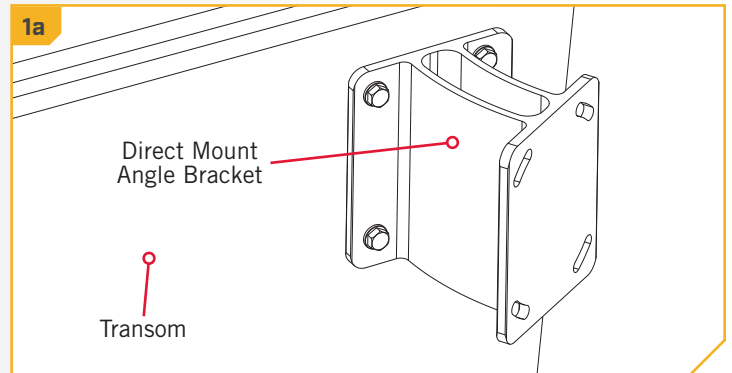
- i. Take four of the Flange Nuts (Item #6) and place one on the end of each of the Hex Head Cap Screws.
- j. Apply anti-seize to the threads before tightening. Once set, tighten the Flange Nuts with a 9/16" Box End or Socket Wrench. Do not over-tighten. Tighten to 20 ft-lbs.



› Installing the 3” Setback Bracket to the Direct Mount Angle Bracket

1

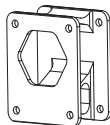
- a. Review the Mounting Considerations to determine if it is acceptable to complete a mount of the Raptor 3” Setback Bracket to the Direct Mount Angle Bracket. Begin with the Direct Mount Angle Bracket already installed to the boat. For specific instructions, please refer to the Installation Instructions included with the Direct Mount Angle Bracket (1810371 or 1810376 - white). Once the Direct Mount Angle Bracket is secured to the boat, continue below.



NOTICE: To install the 3” Setback Bracket to the Direct Mount Angle Bracket, the Hardware Kit (Assembly 2994940) included with the Raptor Direct Mount Angle Bracket will be needed. This includes Four (Part #2383422) Stainless Steel Hex Head Cap Screws, Four (Part #2371758) Stainless Steel Flat Washers, Four (Part #2353102) Stainless Steel Nylock Flange Nuts and Anti-seize (Part #2378608).

2

ITEM(S) NEEDED

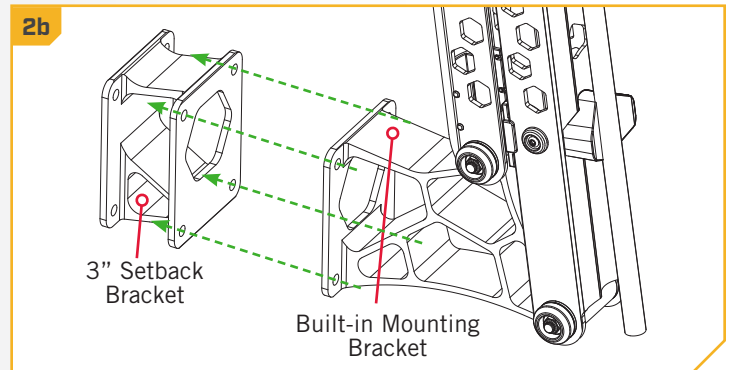


#2 x 1

- b. Take the 3” Setback Bracket (Item #2) and the Raptor with the Built-in Mount Bracket and align them so that the Hexagon Cutout on the Setback Bracket is facing towards the Raptor.

NOTICE: It is recommended to have a second person help with installation.

NOTICE: On the final installation, the 3” Setback Bracket will be installed to the Direct Mount Angle Bracket with the Hexagon Cutout facing Outboard.



3

ITEM(S) NEEDED



#8 x 4

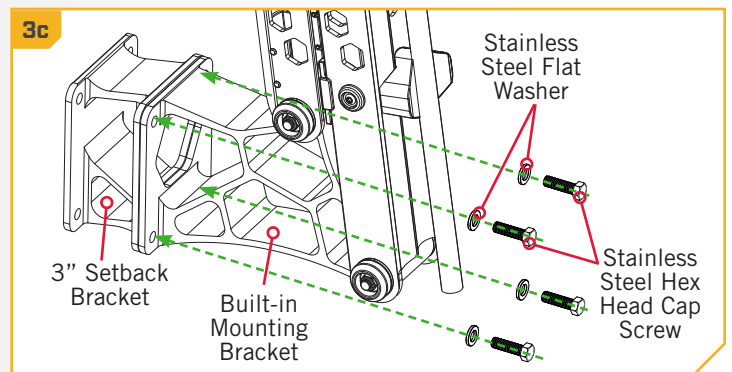
⊙ #4 x 4



#10 x 1

- c. Take the four 1-1/4 Stainless Steel Hex Head Cap Screws (Item #8) and four of the Stainless Steel Flat Washers (Item #4). Place a Washer on the end of each Screw and then apply Anti-seize (Item #10) to the threads of each Screw. Insert each screw with washer into the Raptor Built-in Mounting Bracket and then into the 3” Setback Bracket.

NOTICE: To prevent seizing of the stainless steel hardware, do not use high speed installation tools. Applying an anti-seize may help prevent seizing.

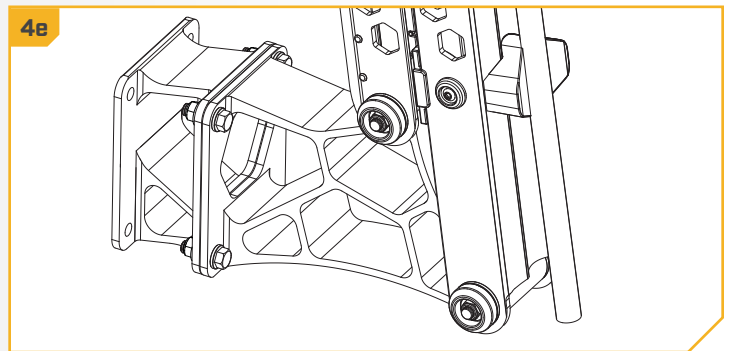
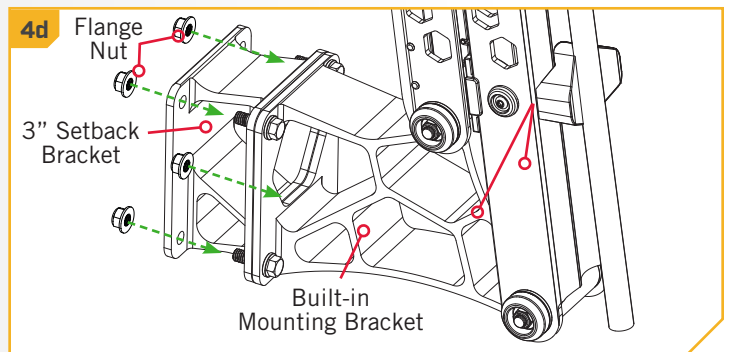


4

ITEM(S) NEEDED

⊙ #6 x 4

- d. Take four of the Flange Nuts (Item #6) and place one on the end of each of the Hex Head Cap Screws.
- e. Apply anti-seize to the threads before tightening. Once set, tighten the Flange Nuts with a 9/16" Box End or Socket Wrench. Do not over-tighten. Tighten to 20 ft-lbs.

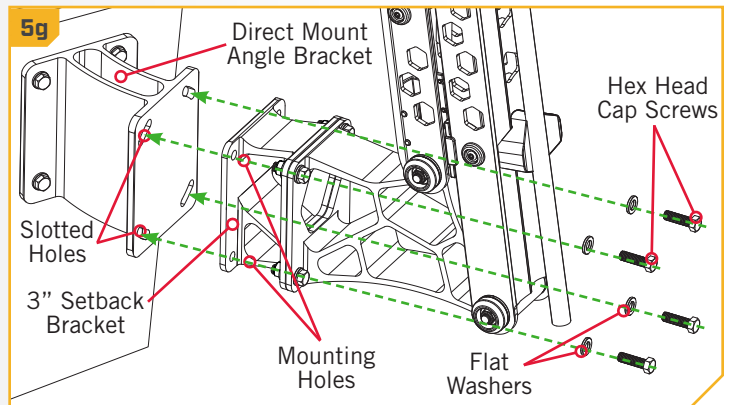
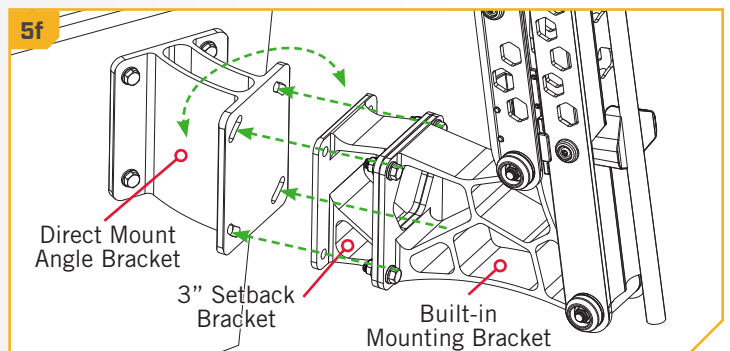


5

- f. With the help of a second person, position the 3" Setback Bracket, that was just secured to the Raptor, so that the Slotted Holes on the Direct Mount Angle Bracket align with the Mounting Holes in the 3" Setback Bracket. Notice that the holes are slotted on the angle bracket so that the Raptor can be adjusted along the slots for the final installation.

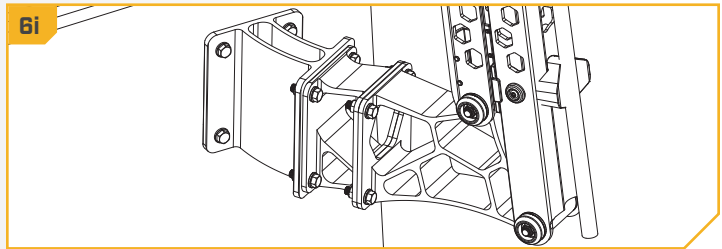
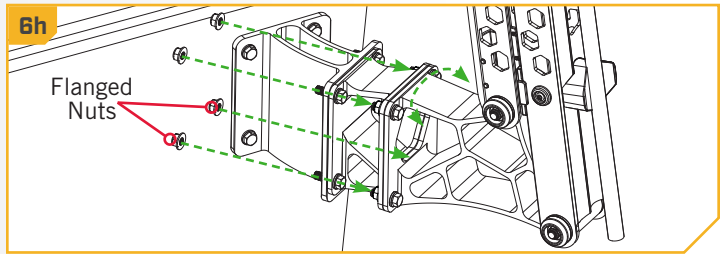
NOTICE: It is recommended to have a second person help with installation.

- g. To install the 3" Setback Bracket to the Direct Mount Angle Bracket, the Hardware Kit (Assembly 2994940) included with the Raptor Direct Mount Angle Bracket will be needed. Take the Four (Part #2383422) Stainless Steel Hex Head Cap Screws and Four (Part #2371758) Stainless Steel Flat Washers from this kit. Place a Washer on the end of each Screw and then apply Anti-seize to the threads of each Screw. Insert each Screw into the 3" Setback Bracket and then into the Slotted Holes of the Direct Mount Angle Bracket.



6

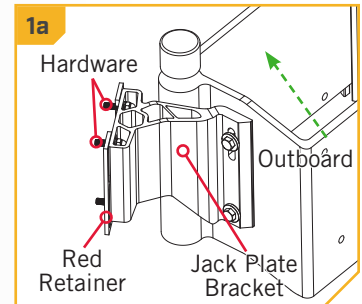
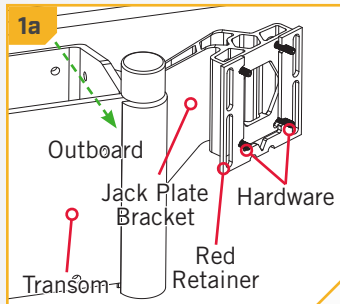
- h. Take four of the Flange Nuts and place one on the end of each of the Hex Head Cap Screws. Secure them loosely.
- i. Then check the angle of the bracket along the Slotted Holes and confirm that the Raptor is set at the desired angle along the holes. Apply anti-seize to the threads before tightening. Once set, tighten the Flange Nuts with a 9/16" Box End or Socket Wrench. Do not over-tighten. Tighten to 20 ft-lbs.



▶ Installing the 3" Setback Bracket to a Jack Plate Bracket

1

- a. Review the Mounting Considerations to determine if it is acceptable to complete a mount of the Raptor 3" Setback Bracket to a Raptor Jack Plate Bracket. Begin with any one of the Raptor Jack Plate Brackets already installed to the boat. For specific instructions, please refer to the Installation Instructions included with the Jack Plate Brackets. Once the Jack Plate Bracket is secured to the boat, Leave the hardware and red retainer in place until instructed to remove it and continue below.

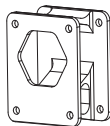


NOTICE: Raptor Jack Plate options include a Port bracket with either a 4" (1810361 and 1810366 - white) or 6" (1810363 and 1810368 - white) rise or a Starboard bracket with either a 4" (1810360 and 1810365 - white) or 6" (1810362 and 1810367- white) rise.

NOTICE: To install the 3" Setback Bracket to the Direct Mount Angle Bracket, pieces from the Hardware Kit (Assembly 2994939) included with the Raptor Jack Plate Brackets will be needed. Pieces needed include (Part #2353102) Stainless Steel Nylock Flange Nuts and Anti-seize (Part #2378608).

2

ITEM(S) NEEDED

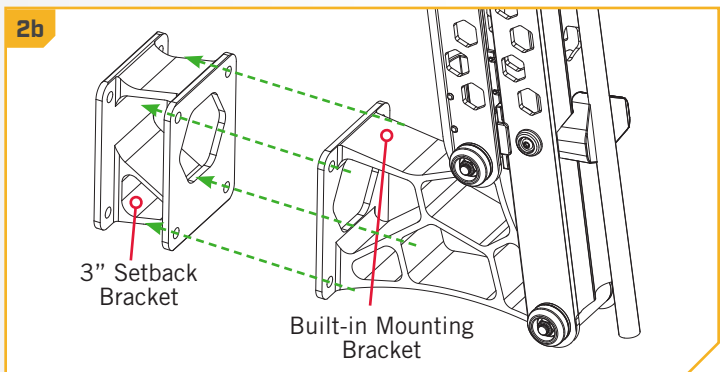


#2 x 1

- b. Take the 3" Setback Bracket (Item #2) and the Raptor with the Built-in Mount Bracket and align them so that the Hexagon Cutout on the Setback Bracket is facing towards the Raptor.

NOTICE: On the final installation, the 3" Setback Bracket will be installed to the Direct Mount Angle Bracket with the Hexagon Cutout facing Outboard.

NOTICE: It is recommended to have a second person help with installation.



3

ITEM(S) NEEDED



#8 x 4

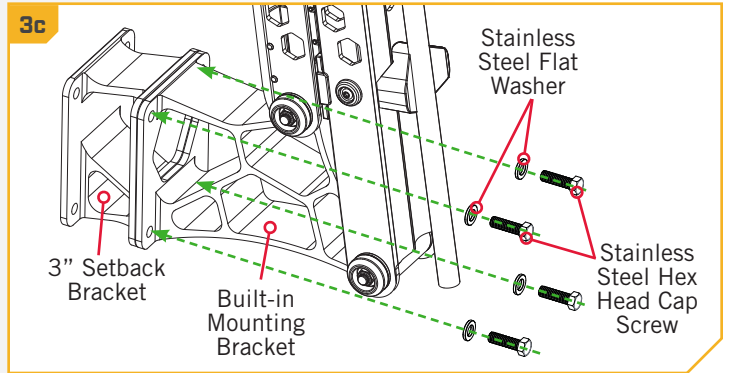
⊙ #4 x 4



#10 x 1

- c. Take the four 1-1/4 Stainless Steel Hex Head Cap Screws (Item #8) and four of the Stainless Steel Flat Washers (Item #4). Place a Washer on the end of each Screw and then apply Anti-seize (Item #10) to the threads of each Screw. Insert each screw with washer into the Raptor Built-in Mounting Bracket and then into the 3" Setback Bracket.

NOTICE: To prevent seizing of the stainless steel hardware, do not use high speed installation tools. Applying an anti-seize may help prevent seizing.

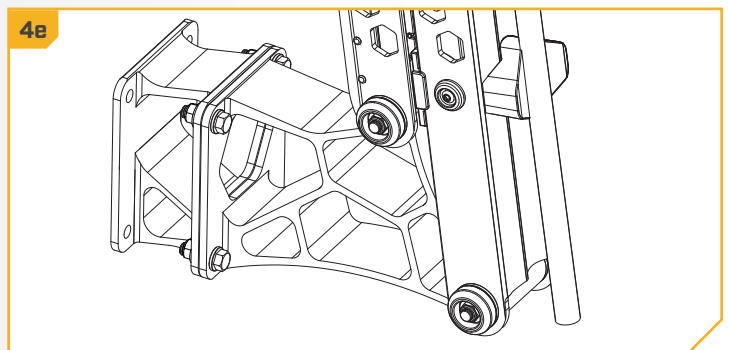
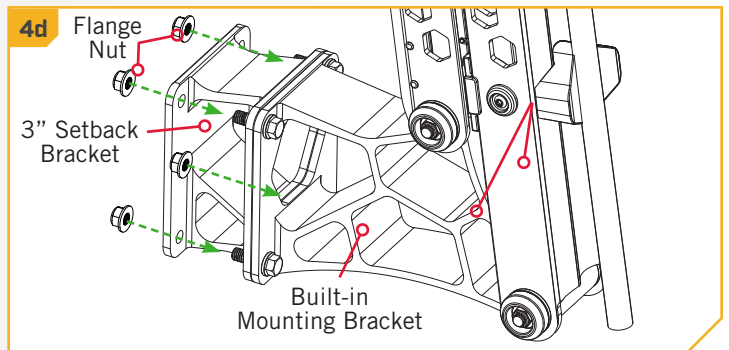


4

ITEM(S) NEEDED

⊙ #6 x 4

- d. Take four of the Flange Nuts (Item #6) and place one on the end of each of the Hex Head Cap Screws.
- e. Apply anti-seize to the threads before tightening. Once set, tighten the Flange Nuts with a 9/16" Box End or Socket Wrench. Do not over-tighten. Tighten to 20 ft-lbs.



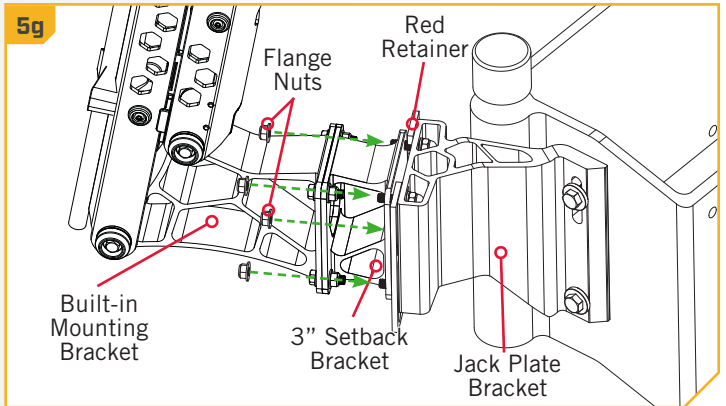
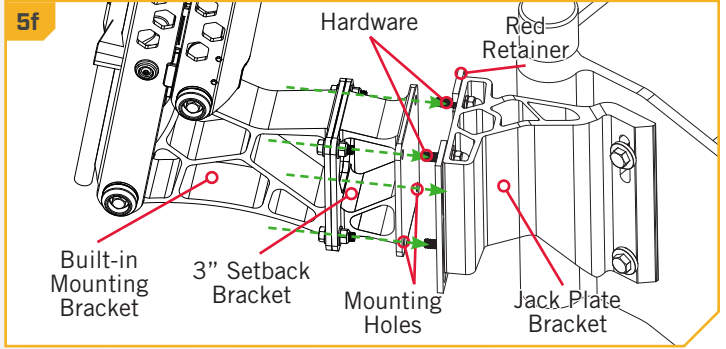
5

- f. With the help of a second person, position the 3" Setback Bracket, that was just secured to the Raptor, so that the hardware in the Red Retainer on the Jack Plate bracket aligns with the Mounting Holes in the 3" Setback Bracket.

NOTICE: The Red Retainer helps to align the hardware in the Jack Plate Bracket with the Mounting Holes in the 3" Setback Bracket to aid in installation. Keep the Red Retainer in place until instructed to remove it.

NOTICE: It is recommended to have a second person help with installation.

- g. To install the 3" Setback Bracket to the Jack Plate bracket, the four Stainless Steel Flange Nuts (Part #2353201) and Anti-seize (Part #2378608) from the Mounting Assembly 2994939, from any one of the Raptor Jack Plate Bracket will be needed. Apply Anti-seize to the threads of the hardware held in place by the Red Retainer. Then install the 3" Setback Bracket to the hardware. Take four of the Flange Nuts and place one on the end of each of the Hex Head Cap Screws. Secure them loosely.

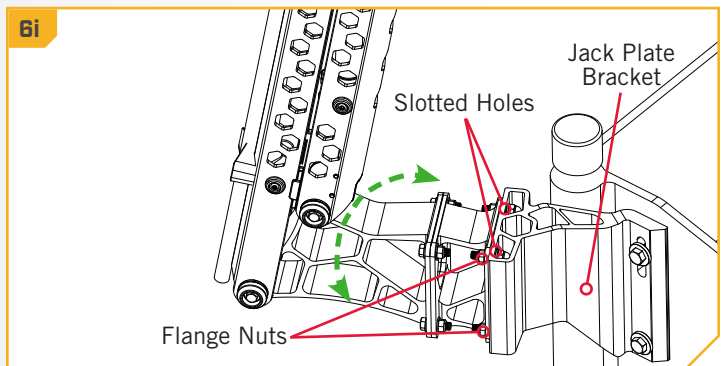
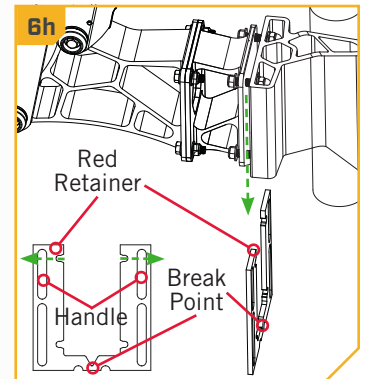
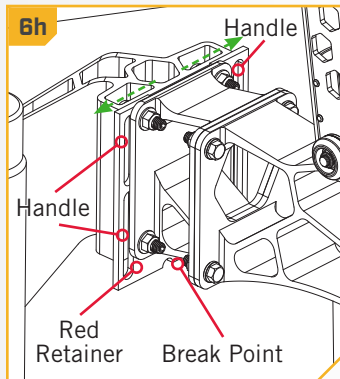


6

- h. With the Flange Nuts in place, pull the Red Retainer out to release the hardware. There are handles on each side of the Red Retainer that can be used to grasp each half. When pulling the Red Retainer, grasp each side and pull so that the Red Retainer breaks at the center and releases the hardware.

NOTICE: The Mounting Holes on the Jack Plate are slotted so that the Raptor can be adjusted along the slots for the final installation.

- i. With the Red Retainer removed, there is slack in the mounting hardware between the Jack Plate Bracket and 3" Setback Bracket. This allows the brackets to be rotated for final Raptor placement along the Slotted Holes in the Jack Plate Bracket. Check the angle of the bracket along the Slotted Holes and confirm that the Raptor is set at the desired angle. Once set, hold the hardware inside the Jack Plate Bracket with a 9/16" Open End Wrench. Tighten the Flange Nuts with a 9/16" Box End or Socket Wrench. Do not over-tighten. Tighten to 20 ft-lbs.



For warranty information, please visit minnkotamotors.com.



Minn Kota Consumer & Technical Service
Johnson Outdoors Marine Electronics, Inc.
PO Box 8129
Mankato, MN 56001

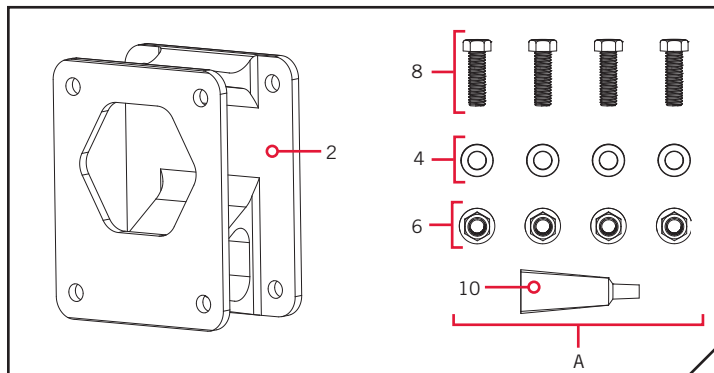
121 Power Drive
Mankato, MN 56001
Phone (800) 227-6433
Fax (800) 527-4464



©2020 Johnson Outdoors Marine Electronics, Inc.
All rights reserved.

Le support de décalage de 3 po (7,6 cm) Raptor peut être installé directement au tableau arrière du bateau, et ce, à bâbord ou à tribord.

| Article/Assemblage | N° de pièce | Description | Qté |
|----------------------|-------------|------------------------------------|-----|
| 2 | 2352802 | SETBACK BRACKET, PAINTED | 1 |
| | 2352803 | SETBACK, BRKT, PAINTED WHT *blanc* | 1 |
| ▲ | 2354912 | INSTRC-INSTALL, SETBACK BRK | 1 |
| A Articles 4 à 10 | 2994940 | BAG ASM, SETBACK HDW, RPTR | 1 |
| 4 | 2371758 | WASHER-3/8 HD FLAT SS | 4 |
| 6 | 2353102 | NUT-3/8-16 FLANGE, NYLOK, SS | 4 |
| 8 | 2383422 | SCREW-3/8-16 X 1 1/4 HHCS SS | 4 |
| 10 | 2378608 | ANTI SEIZE TUBE, 4CC | 1 |



▲ Non illustrée sur le schéma des pièces.

✘ Cette pièce est incluse dans un ensemble et ne peut pas être commandée individuellement.

AVIS : Utiliser le support de décalage de 3 po (7,6 cm) (1810370 et 1810375 - blanc) quand un décalage supplémentaire de 3 po (7,6 cm) est requis. Peut être monté directement au tableau arrière ou ajouté à un support de timon de 4 po (10,2 cm) ou de 6 po (15,2 cm) pour installation à bâbord ou à tribord. Le support de décalage peut aussi être jumelé au support de montage direct en angle Raptor (1810371 et 1810376 - blanc) aux fins d'autres options de montage.

OUTILS ET RESSOURCES NÉCESSAIRES >

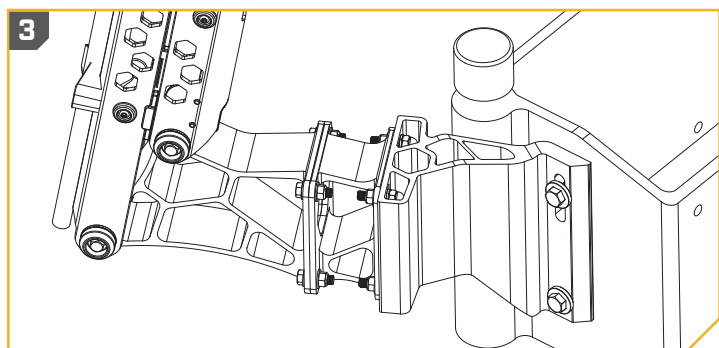
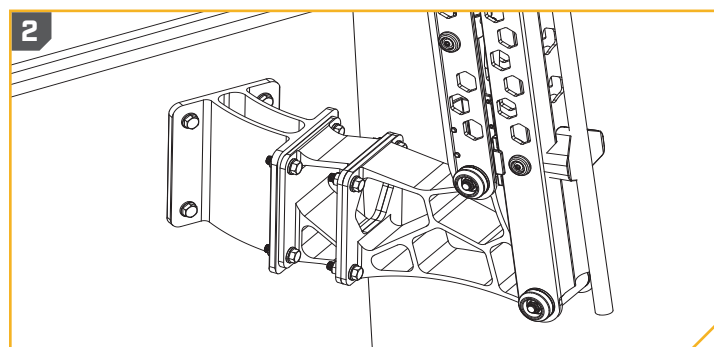
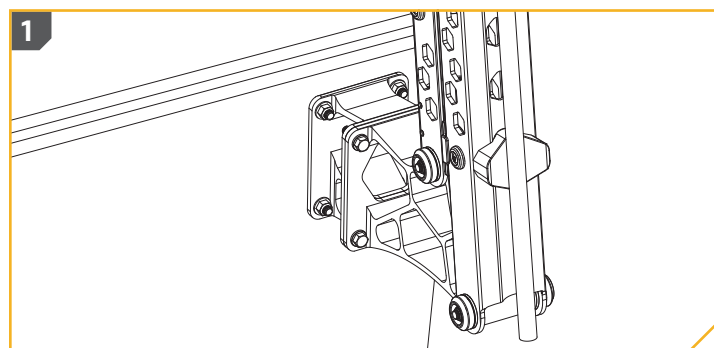
- Perceuse
- Clé polygonale ou à cliquet de 9/16 po (14,3 mm)
- Scellant de qualité marine
- Clé dynamométrique d'une capacité de 20 pi-lb (27,1 Nm)
- Poinçon ou autre outil de marquage semblable
- Une deuxième personne pour aider avec l'installation
- Ruban à masquer
- Mèche de 7/16 po (11,1 mm)
- Lime, papier sablé ou lime-émeri
- Clé ouverte 9/16 po (14,3 mm)

FACTEURS DE MONTAGE >

> Installation complète typique

Le support de décalage de 3 po (7,6 cm) Raptor peut aussi être utilisé pour monter le Raptor de diverses façons, dont :

1. Directement sur le tableau arrière du bateau avec le support de montage intégré Raptor monté au support de décalage de 3 po (7,6 cm).
2. Entre le support de montage direct en angle Raptor et le support de montage intégré Raptor.
3. Entre n'importe quel support de timon Raptor et le support de montage intégré Raptor.



Facteurs de montage

Avant de monter votre support de décalage de 3 po (7,6 cm) Raptor, tenir compte de ce qui suit :

1. Montage sans obstruction - Lors de la sélection de l'emplacement de montage, examiner le bateau afin de s'assurer de ne pas percer dans une obstruction et que la quincaillerie sera accessible pour l'assemblage.

2. Déploiement et rétraction sans obstruction - Le Raptor est conçu pour être monté côté bâbord ou côté tribord du tableau arrière. Le Raptor doit avoir une voie claire, sans obstruction pour le déploiement. S'assurer que l'emplacement proposé permettra le déploiement et la rétraction de l'ancre sans heurter les volets, les plateformes de poussée, les échelles, le moteur ou d'autres obstructions. On devrait aussi tenir compte des méthodes de pêche lors de la sélection de l'emplacement de montage.

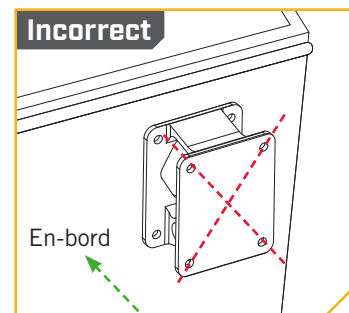
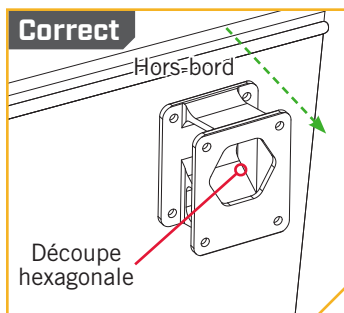
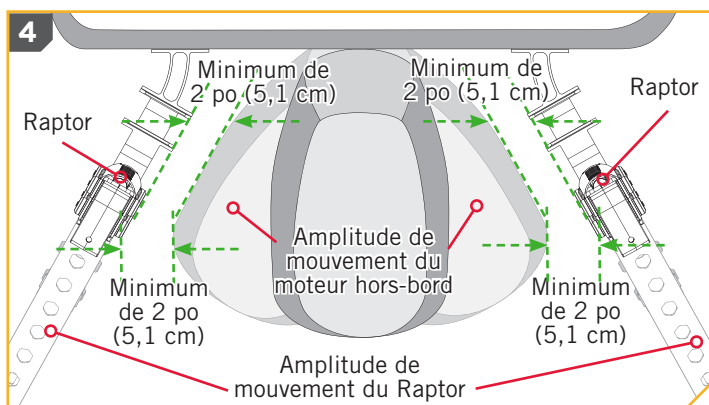
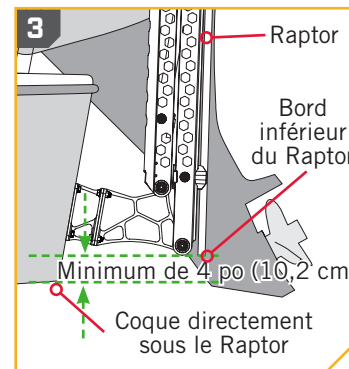
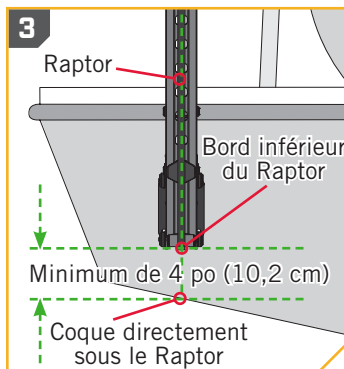
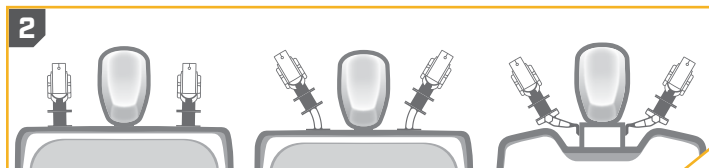
3. Dégagement entre le Raptor et la coque - Le bord inférieur du Raptor ne devrait jamais être inférieur à 4 po (10,2 cm) au-dessus de la coque, directement sous le Raptor afin d'empêcher des conditions de jet d'eau ou de traînée. Cela s'applique à toute configuration de montage de support utilisée.

4. Dégagement entre le Raptor et le moteur - Lors de la sélection d'un emplacement de montage, s'assurer qu'il n'y a aucune interférence entre le Raptor et le moteur au cours du fonctionnement normal. Lorsque l'emplacement de montage est sélectionné, ajuster la compensation du moteur au maximum vers le haut et le bas, et tourner le moteur complètement vers la droite et la gauche pour confirmer le dégagement approprié du moteur. S'assurer qu'il y a un minimum de deux à trois pouces (5,1 à 7,6 cm) de dégagement de tout point du Raptor, dans toutes les positions d'arrimage et de déploiement.

5. Découpe hexagonale - Quand il est monté à bâbord ou à tribord, le support devrait toujours être orienté dans le sens de la découpe hexagonale et dans le sens opposé du tableau arrière. Quand on monte le support de décalage avec des supports de montage Raptor supplémentaires, la découpe hexagonale devrait toujours être orientée dans le sens du support de montage intégré Raptor.

AVIS : Ces étapes d'installation passent d'une option de montage à l'autre et peuvent être différentes de votre installation véritable.

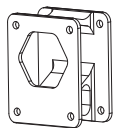
AVIS : Lors du montage du support de décalage de 3 po (7,6 cm) au tableau arrière, on recommande de consulter les facteurs de montage supplémentaires pour une installation complète du Raptor. Ils se trouvent en ligne sur minnkotamotors.com dans la section « Installation » du manuel du propriétaire ou des instructions d'installation du Raptor. Ils indiquent comment monter la pompe hydraulique et acheminer les tuyaux hydrauliques, ainsi que d'autres recommandations.



> Installation du support de décalage de 3 po (7,6 cm) au tableau arrière

1

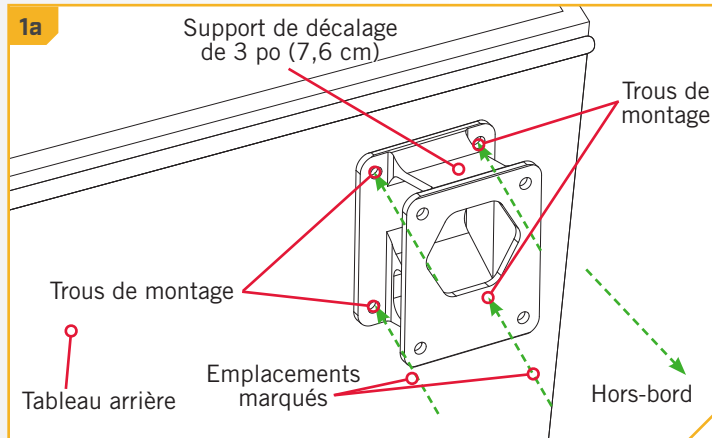
ARTICLE(S) REQUIS



#2 x 1

- a. Relire les facteurs de montage afin de déterminer s'il est acceptable d'effectuer un montage direct du support de décalage de 3 po (7,6 cm) Raptor. Si oui, positionner le support de décalage de 3 po (7,6 cm) (article n° 2) à l'emplacement sélectionné. S'assurer que la découpe hexagonale est positionnée dans le sens opposé du tableau arrière et dans le sens du hors-bord. Le support à niveau et en place, marquer les trous de montage avec un stylo ou outil de marquage semblable.

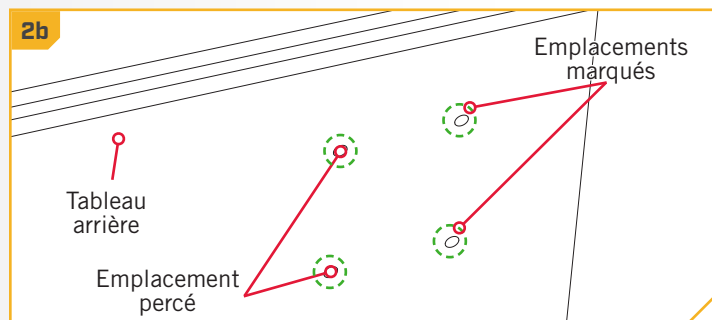
AVIS : On recommande qu'une deuxième personne vous aide lors de l'installation.



2

- b. Vérifier que l'emplacement de montage est dégagé pour percer les trous, puis utiliser une perceuse avec une mèche de 7/16 po (11,1 mm) pour percer le tableau arrière/la poupe du bateau aux emplacements marqués.

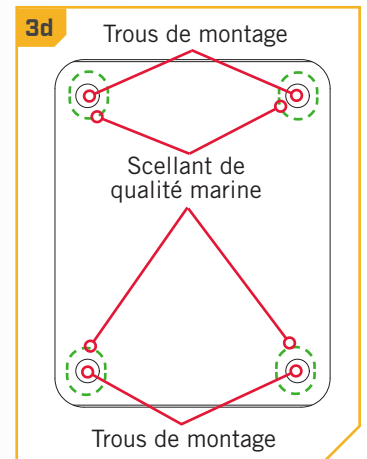
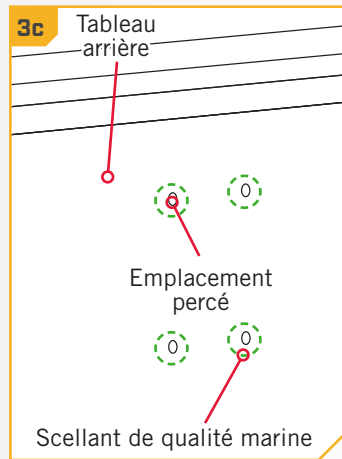
AVIS : Lorsqu'on perce des trous dans la fibre de verre, il est utile de couvrir la surface de ruban à masquer. Cela empêchera d'érafler la surface du bateau et facilitera le nettoyage. Couvrir la surface, puis marquer l'emplacement à percer. Une fois les trous percés, enlever le ruban à masquer avant de poursuivre l'installation.



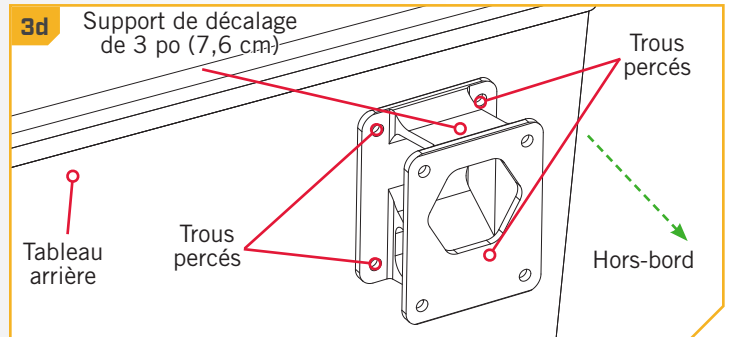
AVIS : Lors du perçage des trous marqués, s'assurer que la mèche est perpendiculaire au tableau arrière/à la poupe du bateau et que les trous sont percés droit. Ne pas percer les trous droit entraînera un mauvais ajustement de la quincaillerie de montage.

3

- c. Placer une perle de 1/8 po (0,3 cm) de scellant de qualité marine sur le tableau arrière du bateau autour des trous percés.
- d. Placer le scellant de qualité marine autour des trous de montage sur la surface du support de décalage de 3 po (7,6 cm) intégré qui sera en contact avec le tableau arrière/la poupe du bateau, une fois monté. Il devrait s'agir de la surface du support sans découpe hexagonale. Garder le scellant centré approximativement entre le bord extérieur du support de montage et les trous percés dans le tableau arrière/la poupe.



AVIS : Pour installer le support de décalage de 3 po (7,6 cm) au bateau, l'ensemble de quincaillerie (assemblage 2994943) inclus avec le Raptor sera requis. Cela inclut quatre (pièce n° 2371758) rondelles plates, quatre (pièce n° 2371759) rondelles de protection en acier inoxydable, quatre (pièce n° 2383421) vis à tête creuse hexagonale en acier inoxydable de 3/8-16 X 3 1/2, quatre (pièce n° 2353102) écrous à bride Nylock en acier inoxydable et produit antigrippant.

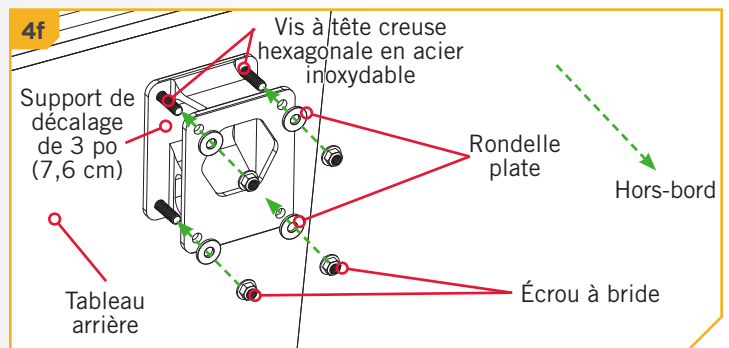
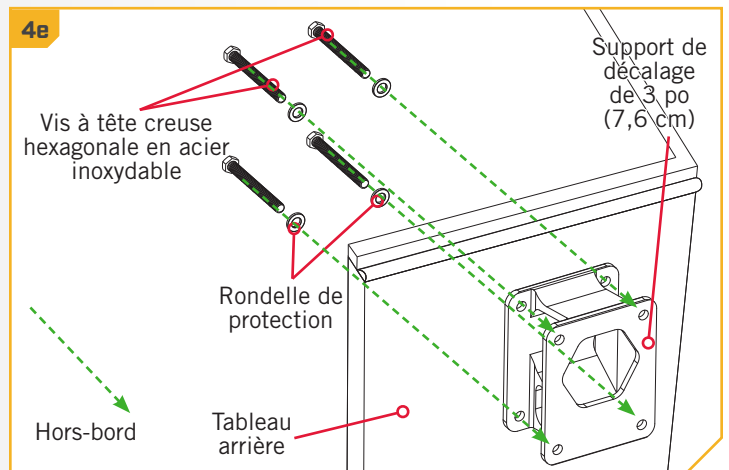


4

ARTICLE(S) REQUIS



- e. Pour installer le soutien de décalage de 3 po (7,6 cm) au tableau arrière, utiliser l'ensemble de quincaillerie de montage 2994943 fourni avec le Raptor. Prendre chacune des quatre vis à tête creuse hexagonale en acier inoxydable de 3-1/2 po (pièce n° 2383421) et placer une rondelle de protection (pièce n° 2371759) dessus. Appliquer le produit antigrippant (article n° 10) à la quincaillerie. Les vis à tête creuse hexagonale passeront à travers les trous percés dans le tableau arrière, et ce, d'en-bord à hors-bord. Une fois passées à travers les trous percés dans le tableau arrière, elles passeront à travers les trous de montage sur le support de décalage de 3 po (7,6 cm).
- f. Placer une rondelle plate (pièce n° 2371758) à l'extrémité de chaque vis côté hors-bord du support de décalage de 3 po (7,6 cm), puis fixer chacune avec un écrou à bride (pièce n° 2353102). Appliquer le produit antigrippant au filetage avant de serrer. Serrer les boulons avec une clé polygonale ou à cliquet de 9/16 po (14,3 mm). Ne pas trop serrer. Serrer à 20 pi-lb (27,1 Nm).



AVIS : Pour prévenir le grippage de la quincaillerie en acier inoxydable, ne pas utiliser d'outils haute vitesse pour l'installation. Appliquer un produit antigrippant peut aider à prévenir le grippage.

5

ARTICLE(S) REQUIS



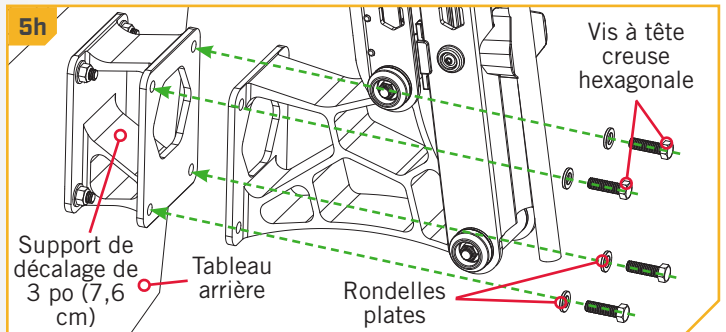
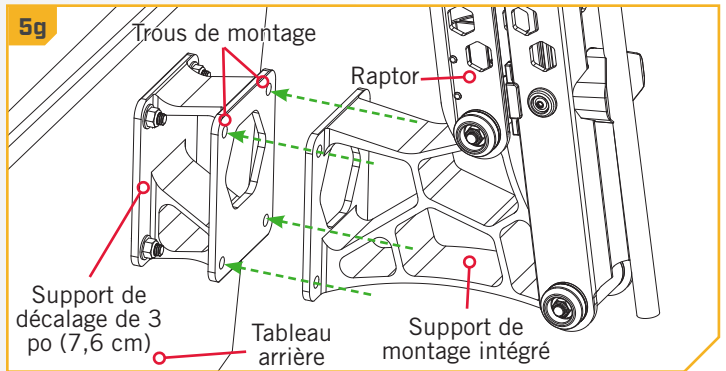
#8 x 4



#4 x 4

- g. Le support de décalage de 3 po (7,6 cm) fixé au tableau arrière, prendre le Raptor et aligner le support de montage intégré et les trous de montage du support de décalage de 3 po (7,6 cm).
- h. Une deuxième personne vous aidant, tenir le Raptor en place pour installer la quincaillerie de montage. Prendre les quatre vis à tête creuse hexagonale en acier inoxydable de 1-1/4 (article n° 8) et quatre rondelles plates en acier inoxydable (article n° 4). Placer une rondelle à l'extrémité de chaque vis, puis appliquer le produit antigrippant au filetage de chaque vis. Insérer chaque nouvelle vis avec rondelle dans le support de montage intégré du Raptor, puis dans le support de décalage de 3 po (7,6 cm).

AVIS : Pour prévenir le grippage de la quincaillerie en acier inoxydable, ne pas utiliser d'outils haute vitesse pour l'installation. Appliquer un produit antigrippant peut aider à prévenir le grippage.



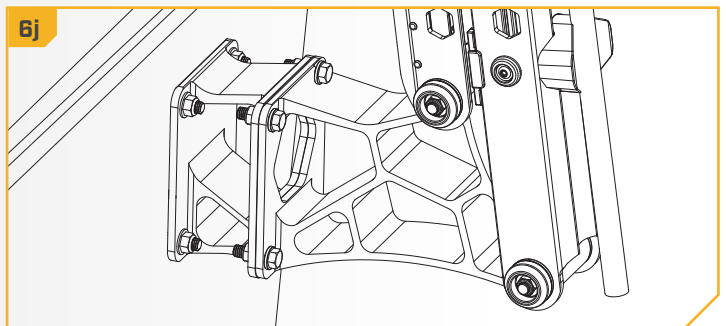
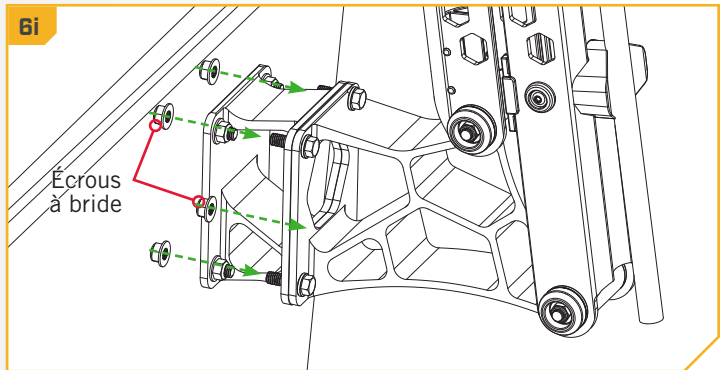
6

ARTICLE(S) REQUIS



#6 x 4

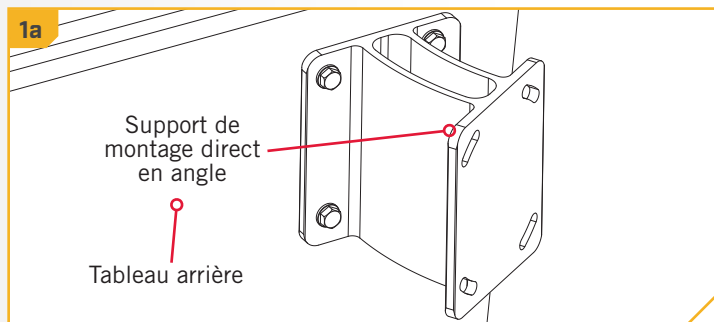
- i. Prendre quatre écrous à bride (article n° 6) et en placer un à l'extrémité de chaque vis à tête creuse hexagonale.
- j. Appliquer le produit antigrippant au filetage avant de serrer. Ceci fait, serrer les écrous à bride avec une clé polygonale ou une clé à cliquet de 9/16 po (14,3 mm). Ne pas trop serrer. Serrer à 20 pi-lb (27,1 Nm).



› Installer le support de décalage de 3 po (7,6 cm) au support de montage direct en angle

1

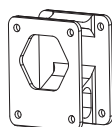
- a. Relire les facteurs de montage afin de déterminer s'il est acceptable d'effectuer un montage du support de décalage de 3 po (7,6 cm) Raptor au support de montage direct en angle. Commencer avec le support de montage direct en angle déjà installé sur le bateau. Pour des instructions spécifiques, veiller à consulter les instructions d'installation incluses avec le support de montage direct en angle (1810371 ou 1810376). Une fois le support de montage direct en angle fixé sur le bateau, poursuivre comme indiqué ci-dessous.



AVIS : Pour installer le support de décalage de 3 po (7,6 cm) au support de montage direct en angle, l'ensemble de quincaillerie (assemblage 2994940) inclus avec le support de montage direct en angle Raptor sera requis. Cela inclut quatre (pièce n° 2383422) vis à tête creuse hexagonale en acier inoxydable, quatre (pièce n° 2371758) rondelles plates en acier inoxydable, quatre (pièce n° 2353102) écrous à bride Nylock en acier inoxydable et produit antigrippant (pièce n° 2378608).

2

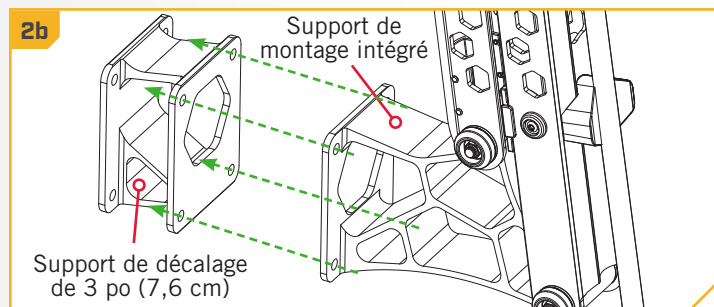
ARTICLE(S) REQUIS



#2 x 1

- b. Prendre le support de décalage de 3 po (7,6 cm) (article n° 2) et le Raptor avec le support de montage intégré et les aligner de sorte que la découpe hexagonale du support de décalage soit orientée vers le Raptor.

AVIS : Pour l'installation finale, le support de décalage de 3 po (7,6 cm) doit être installé au support de montage direct en angle, la découpe hexagonale orientée dans le sens du hors-bord.



AVIS : On recommande qu'une deuxième personne vous aide lors de l'installation.

3

ARTICLE(S) REQUIS



#8 x 4

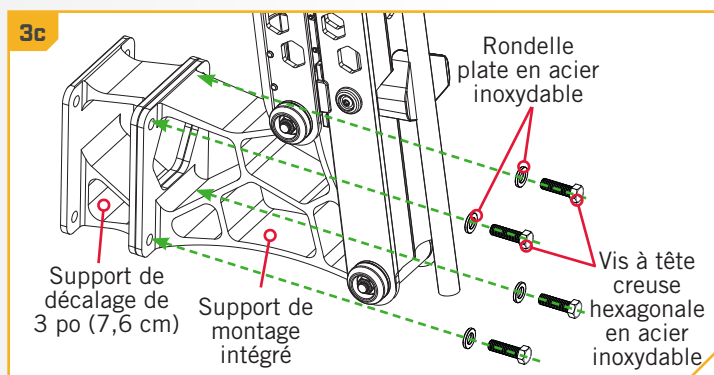
⊙ #4 x 4



#10 x 1

- c. Prendre les quatre vis à tête creuse hexagonale en acier inoxydable de 1-1/4 (article n° 8) et quatre rondelles plates en acier inoxydable (article n° 4). Placer une rondelle à l'extrémité de chaque vis, puis appliquer le produit antigrippant (article n° 10) au filetage de chaque vis. Insérer chaque nouvelle vis avec rondelle dans le support de montage intégré du Raptor, puis dans le support de décalage de 3 po (7,6 cm).

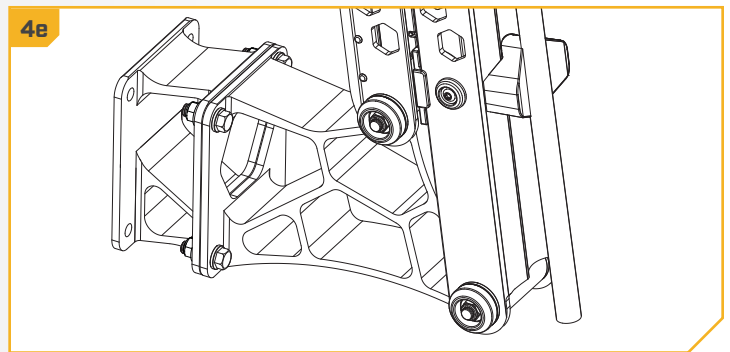
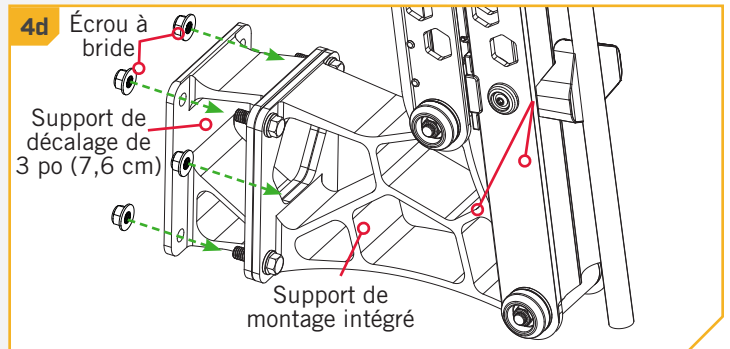
AVIS : Pour prévenir le grippage de la quincaillerie en acier inoxydable, ne pas utiliser d'outils haute vitesse pour l'installation. Appliquer un produit antigrippant peut aider à prévenir le grippage.



ARTICLE(S) REQUIS

⊙ #6 x 4

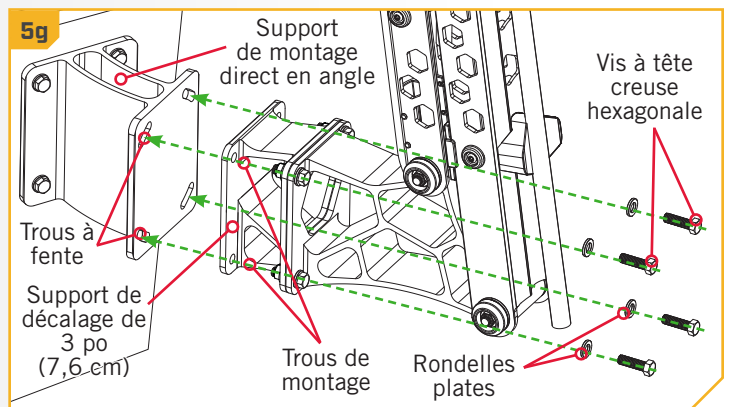
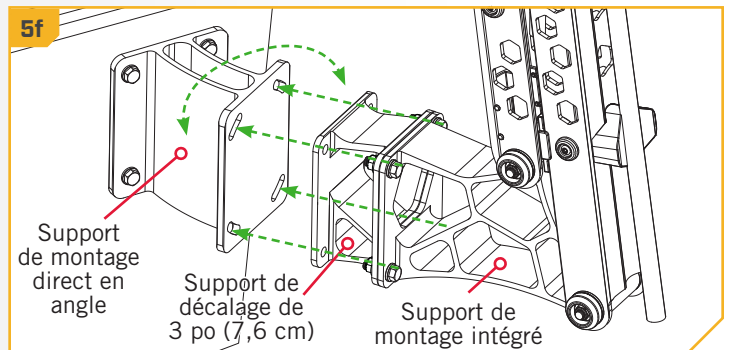
- d. Prendre quatre écrous à bride (article n° 6) et en placer un à l'extrémité de chaque vis à tête creuse hexagonale.
- e. Appliquer le produit antigrippant au filetage avant de serrer. Ceci fait, serrer les écrous à bride avec une clé polygonale ou une clé à cliquet de 9/16 po (14,3 mm). Ne pas trop serrer. Serrer à 20 pi-lb (27,1 Nm).



- f. Une deuxième personne vous aidant, positionner le support de décalage de 3 po (7,6 cm) qui vient d'être fixé au Raptor de sorte que les trous à fente du support de montage direct en angle s'alignent avec les trous de montage du support de décalage de 3 po (7,6 cm). Remarquer que les trous ont des fentes sur le support en angle de sorte que le Raptor puisse être ajusté le long des fentes pour installation finale.

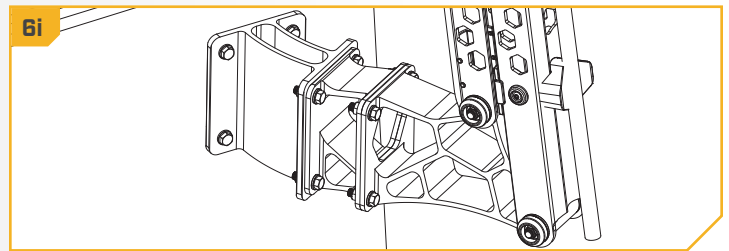
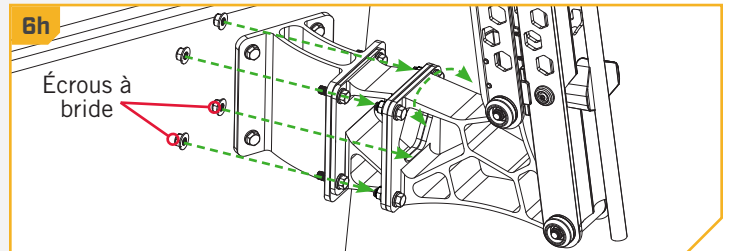
AVIS : On recommande qu'une deuxième personne vous aide lors de l'installation.

- g. Pour installer le support de décalage de 3 po (7,6 cm) au support de montage direct en angle, l'ensemble de quincaillerie (assemblage 2994940) inclus avec le support de montage direct en angle Raptor sera requis. Prendre les quatre (pièce n° 2383422) vis à tête creuse hexagonale en acier inoxydable et quatre (pièce n° 2371758) rondelles plates en acier inoxydable de cet assemblage. Placer une rondelle à l'extrémité de chaque vis, puis appliquer le produit antigrippant au filetage de chaque vis. Insérer chaque vis dans le support de décalage de 3 po (7,6 cm), puis dans les trous à fente du support de montage direct en angle.



6

- h. Prendre quatre écrous à bride et en placer un à l'extrémité de chaque vis à tête creuse hexagonale. Les fixer lâchement.
- i. Puis vérifier l'angle du support le long des trous à fente et confirmer que l'angle du Raptor est ce qu'il faut le long des trous. Appliquer le produit antigrippant au filetage avant de serrer. Ceci fait, serrer les écrous à bride avec une clé polygonale ou une clé à cliquet de 9/16 po (14,3 mm). Ne pas trop serrer. Serrer à 20 pi-lb (27,1 Nm).

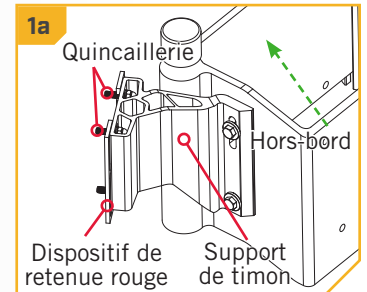
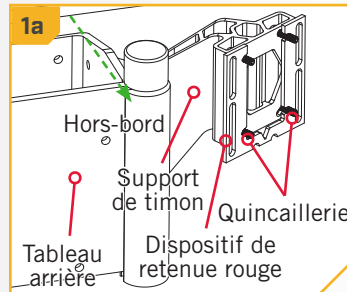


► Installer le support de décalage de 3 po (7,6 cm) sur le support de timon

1

- a. Relire les facteurs de montage afin de déterminer s'il est acceptable d'effectuer un montage du support de décalage de 3 po (7,6 cm) Raptor au support de timon Raptor. Commencer par n'importe quel support de timon Raptor déjà installé au bateau. Pour des instructions spécifiques, veiller à consulter les instructions d'installation incluses avec les supports de timon. Une fois le support de timon fixé au bateau, laisser la quincaillerie et le dispositif de retenue rouge en place jusqu'à ce que vous deviez le retirer, puis continuer comme indiqué ci-dessous.

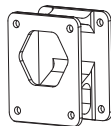
AVIS : Parmi les options de timon Raptor : un support à bâbord avec un appui de 4 po (10,2 cm) (1810361 ou 1810366 - blanc) ou de 6 po (15,2 cm) (1810363 ou 1810368 - blanc) ou un support à tribord avec un appui de 4 po (10,2 cm) (1810360 ou 1810365 - blanc) ou de 6 po (15,2 cm) (1810362 ou 1810367 - blanc).



AVIS : Pour installer le support de décalage de 3 po (7,6 cm) au support de montage direct en angle, des pièces de l'ensemble de quincaillerie (assemblage 2994939) inclus avec les supports de timon Raptor seront requises. Parmi les pièces requises : (pièce n° 2353102) écrous à bride Nylock en acier inoxydable et produit antigrippant (pièce n° 2378608).

2

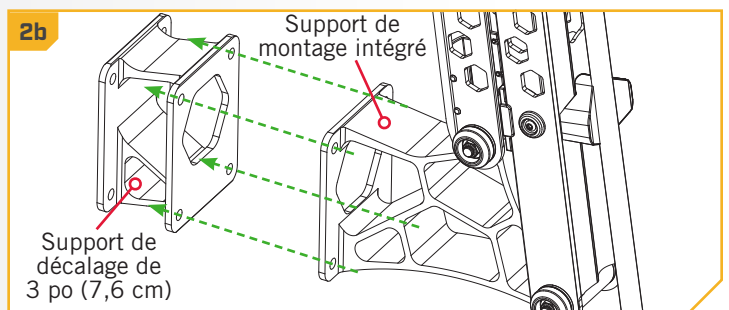
ARTICLE(S) REQUIS



#2 x 1

- b. Prendre le support de décalage de 3 po (7,6 cm) (article n° 2) et le Raptor avec le support de montage intégré et les aligner de sorte que la découpe hexagonale du support de décalage soit orientée vers le Raptor.

AVIS : Pour l'installation finale, le support de décalage de 3 po (7,6 cm) doit être installé au support de montage direct en angle, la découpe hexagonale orientée dans le sens du hors-bord.



AVIS : On recommande qu'une deuxième personne vous aide lors de l'installation.

3

ARTICLE(S) REQUIS



#8 x 4

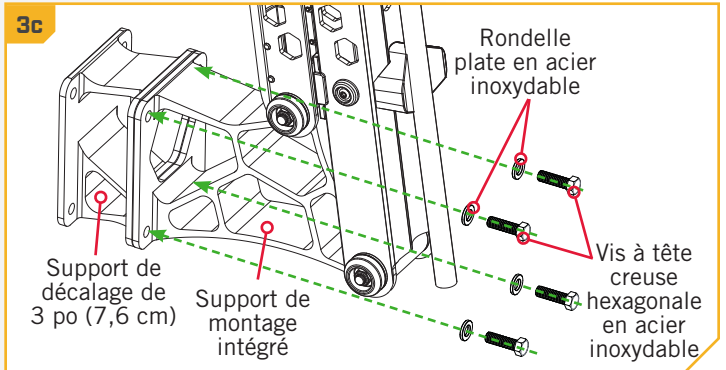
⊙ #4 x 4



#10 x 1

- c. Prendre les quatre vis à tête creuse hexagonale en acier inoxydable de 1 1/4 (article n° 8) et quatre rondelles plates en acier inoxydable (article n° 4). Placer une rondelle à l'extrémité de chaque vis, puis appliquer le produit antigrippant (article n° 10) au filetage de chaque vis. Insérer chaque nouvelle vis avec rondelle dans le support de montage intégré du Raptor, puis dans le support de décalage de 3 po (7,6 cm).

AVIS : Pour prévenir le grippage de la quincaillerie en acier inoxydable, ne pas utiliser d'outils haute vitesse pour l'installation. Appliquer un produit antigrippant peut aider à prévenir le grippage.

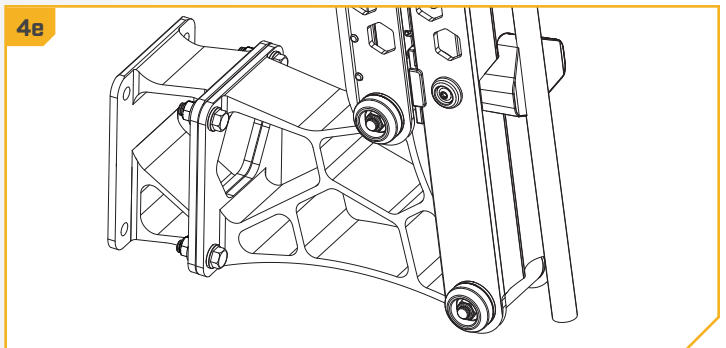
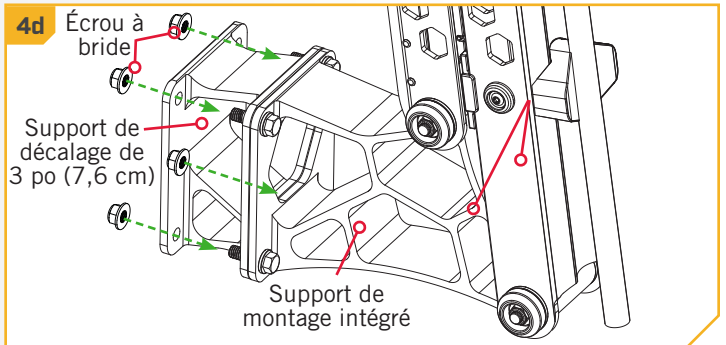


4

ARTICLE(S) REQUIS

⊙ #6 x 4

- d. Prendre quatre écrous à bride (article n° 6) et en placer un à l'extrémité de chaque vis à tête creuse hexagonale.
- e. Appliquer le produit antigrippant au filetage avant de serrer. Ceci fait, serrer les écrous à bride avec une clé polygonale ou une clé à cliquet de 9/16 po (14,3 mm). Ne pas trop serrer. Serrer à 20 pi-lb (27,1 Nm).

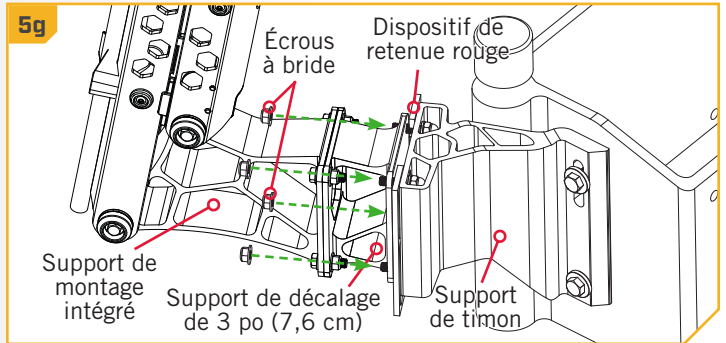
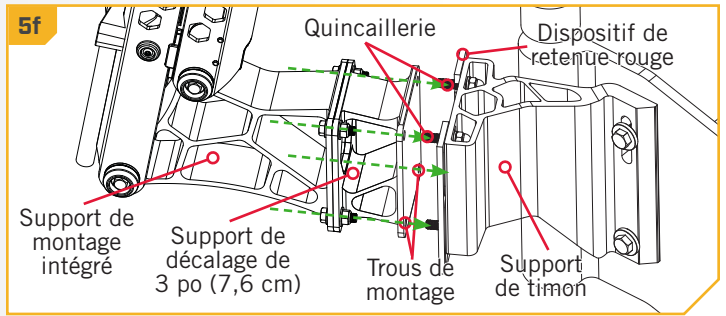


5

- f. Une deuxième personne vous aidant, positionner le support de décalage de 3 po (7,6 cm) qui vient d'être fixé au Raptor de sorte que la quincaillerie dans le dispositif de retenue rouge sur le support de timon s'aligne avec les trous de montage du support de décalage de 3 po (7,6 cm).

AVIS : Le dispositif de retenue rouge aide à aligner la quincaillerie du support de timon et les trous de montage du support de décalage de 3 po (7,6 cm) aux fins d'installation. Garder le dispositif de retenue rouge en place jusqu'à ce vous deviez le retirer.

- g. Pour installer le support de décalage de 3 po (7,6 cm) au support de timon, les quatre écrous à bride en acier inoxydable (pièce n° 2353201) et le produit antigrippant (pièce n° 2378608) de l'assemblage de montage 2994939, de quelque support de timon Raptor que ce soit, seront requis. Appliquer le produit antigrippant au filetage de la quincaillerie que garde en place le dispositif de retenue rouge. Puis installer le support de retenue de 3 po (7,6 cm) à la quincaillerie. Prendre quatre écrous à bride et en placer un à l'extrémité de chaque vis à tête creuse hexagonale. Les fixer lâchement.



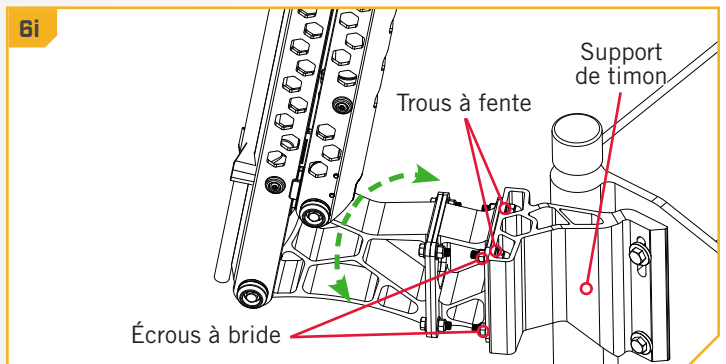
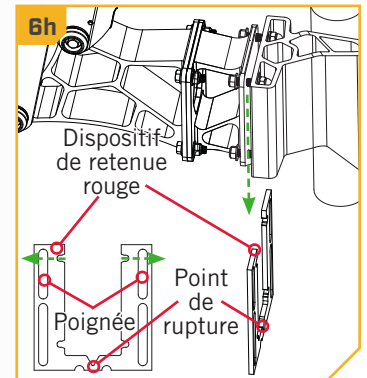
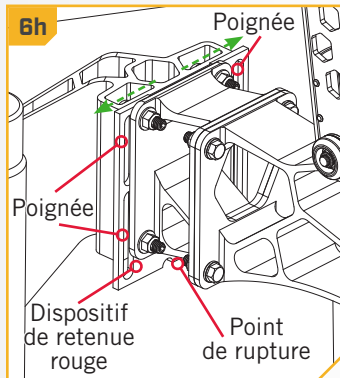
AVIS : On recommande qu'une deuxième personne vous aide lors de l'installation.

6

- h. Les écrous à bride en place, tirer sur le dispositif de retenue rouge pour libérer la quincaillerie. Il y a des poignées de chaque côté du dispositif de retenue rouge qui peuvent servir à saisir chaque moitié. Quand vous tirez sur le dispositif de retenue rouge, saisir chaque côté et tirer de sorte que le dispositif de retenue rouge se brise au centre, puis libère la quincaillerie.

AVIS : Les trous de montage du timon ont des fentes de sorte que le Raptor puisse être ajusté le long des fentes aux fins d'installation finale.

- i. Le dispositif de retenue rouge ayant été retiré, il y a du mou dans la quincaillerie de montage entre le support de timon et le support de décalage de 3 po (7,6 cm). Cela permet aux supports de pivoter pour le placement final du Raptor le long des trous à fente du support de timon. Vérifier l'angle du support le long des trous à fente et confirmer que l'angle du Raptor est ce qu'il faut. Une fois placé, tenir le côté quincaillerie du support de timon avec une clé plate de 9/16 po (14,3 mm). Serrer les écrous à bride avec une clé polygonale ou une clé à cliquet de 9/16 po (14,3 mm). Ne pas trop serrer. Serrer à 20 pi-lb (27,1 Nm).



Pour obtenir des renseignements sur la garantie, visiter minnkotamotors.com.



Minn Kota Consumer & Technical Service
Johnson Outdoors Marine Electronics, Inc.
PO Box 8129
Mankato, MN 56001

121 Power Drive
Mankato, MN 56001
Phone (800) 227-6433
Fax (800) 527-4464



©2020 Johnson Outdoors Marine Electronics, Inc.
All rights reserved.

minnkotamotors.com    

Part #2354912

ECN 40715

Rev B

06/20