


Installation Overview

Following are instructions for the in-dash mount installation of the SOLIX control head. We encourage you to read this guide before starting the installation, so you may understand the installation requirements.

Customer Service: If you find that any items are missing from your installation kit, visit our Web site at humminbird.com or call Humminbird® Customer Service at **1-800-633-1468**.

Supplies: In addition to the hardware supplied with your accessory, you will need a drill and various drill bits, a cutting tool for the dashboard material, various hand tools (including a 3/8" crescent wrench and 5/16" socket wrench or nut driver), safety glasses and dust mask, masking tape, and a towel or cloth.

 **WARNING!** Do NOT use power tools to secure the hardware. We encourage you to read the installation instructions so you may understand the installation requirements.

 **NOTE:** Product supplies and features are subject to change without notice.

1. Plan the Mounting Location

Start by locating a suitable, flat area of the dashboard for mounting. Consider the following to find the best mounting location:

- **Interference:** The mounting location must provide adequate distance from electric motors or any equipment that may cause electronic interference.
- **Stability:** The mounting area should be protected from waves, shock, vibration, and water.
- **Depth:** The mounting area should have a depth of 4" (102 mm) to allow space for the control head and cables.
- **Ventilation:** The area beneath the mounting surface should be well-ventilated.
- **Accessibility:** The location should be easily accessible for all cables to reach the ports on the back of the control head.
- **Multiple Control Heads:** If you plan to install more than one control head side by side, leave a minimum space of 1 7/16" (36.2 mm) between mounting holes. This will allow for 1/4" (7 mm) between control heads with the covers installed and space for the bracket under the dashboard. Take your measurement from the front, left or right side of the control head cut line. **See the template for more information.**

 **NOTE:** If a cable is too short for your application, extension cables are available. For assistance, contact Humminbird Customer Service.

2. Cut the In-Dash Mounting Hole

To in-dash mount the SOLIX control head, start by placing the components on the surfaces where you intend to install them.

1. Review the instructions, measurements, and cutting options indicated on the In-dash Mounting Template.
2. Tape the template to the chosen in-dash mounting location.
3. Using the template, select the cutting method that is best for your boat:
 - Drill one entry hole away from the main cut line that is large enough to insert the blade of your cutting tool.

OR

SOLIX® Series In-Dash Mounting Installation Guide

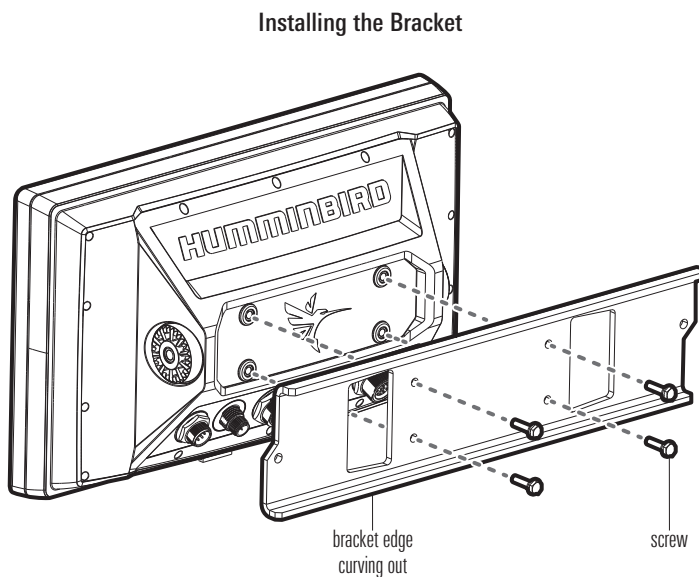
532539-1_B

- Using a 7/16" drill bit, drill the 4 corner holes (inside the main cut line) as shown on the template. Use one of the corner holes as an entry hole, or drill an additional entry hole away from the main cut line.
4. Carefully begin cutting toward the cut line, and continue cutting to the **inside of the line** around the template.
 5. **Test the Mounting Hole:** Install the control head in the mounting hole to test the fit. Make adjustments to the mounting hole as needed. Remove the template when finished.
 6. Thoroughly clean and deburr the mounting hole.

3. Install the Bracket

1. Place the control head on a towel or cloth, with the screen facing down, on a stable and level surface.
2. Line up the screw holes on the bracket with the threaded holes on the back of the control head.

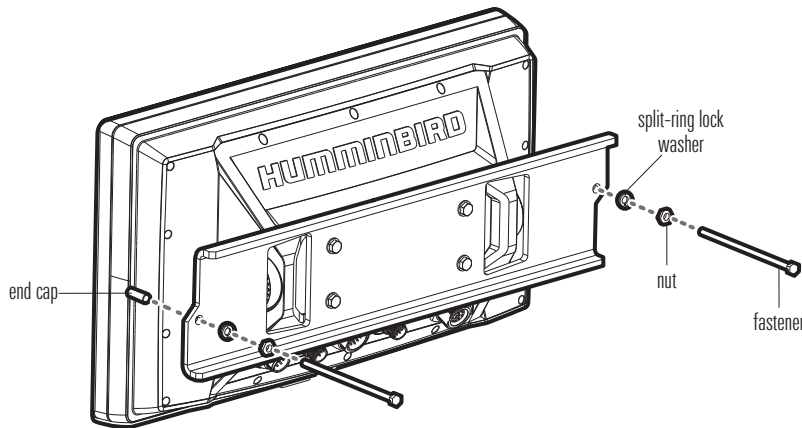
The side of the bracket marked UNIT SIDE should touch the control head. The bracket edges should curve out. They should not touch the control head housing. See the illustration *Installing the Bracket*.



3. Install the 4 screws (#10-24, 3/4") through the bracket, into the threaded holes on the control head until they are secure. Hand-tighten using a 5/16 socket wrench or nut driver.

The bracket should be secure and parallel with the plane of the display. **Hand-tighten only!**

4. Place the hardware onto each long fastener (#10-24, 3 1/2") in the following order: hex nut (#10-24) and split-ring lock washer (#10). See the illustration *Installing the Fasteners*.
5. Insert each long fastener with the nut and washer into the threaded holes on the bracket.
6. Hand-tighten the fasteners until there is approximately 1" (25.4 mm) exposed on the other side of the bracket. You will fully tighten the fasteners in a later procedure.
7. Install one end cap on the end of each fastener. Confirm it is pressed completely onto the fastener.

Installing the Fasteners

4. Connect the Cables

In this step, you will route the cables up through the hole in the dash.

CAUTION! Do NOT mount the cables where the connectors could be submerged in water or flooded. If cables are installed in a splash-prone area, it may be helpful to apply dielectric grease to the inside of the connectors to prevent corrosion. Dielectric grease can be purchased separately from a general hardware or automotive store.

1. Route the cables to the control head, up through the dashboard mount hole.
2. Connect each cable to the appropriate ports on the control head. The ports are labeled, and the connectors are keyed to prevent incorrect installation.
3. Hand-tighten the screw nut on each cable to secure the connection. See the illustration *Hand-Tightening the Screw Nut*.

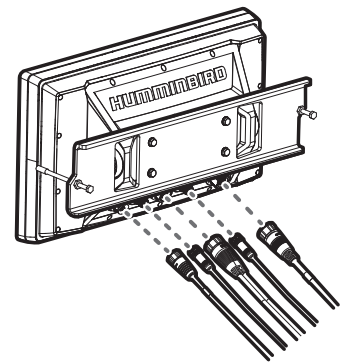
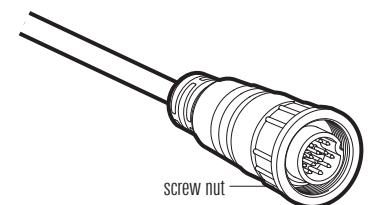
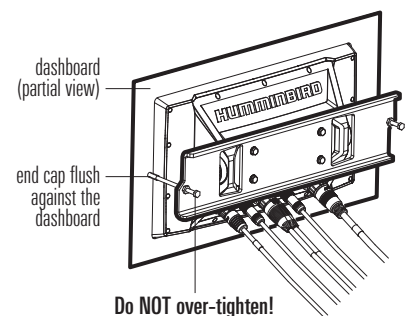
Cover any unused ports to prevent potential damage.

5. Install the Control Head

1. From the front of the dashboard, with the control head screen facing out, carefully lower the control head diagonally into the mounting hole. Insert one end of the bracket through the hole first.
2. Adjust the angle so the control head is centered in the mounting hole.
3. Press down lightly on the control head. Confirm the control head is seated flush against the dash. Make adjustments, as needed.
4. From under the dash, finger-tighten each long fastener until it touches the dash. **Without using any tools**, continue to finger-tighten the fasteners until they are as tight as possible by hand. All play/movement should be removed between the dashboard and the control head, bracket, and hardware. **Finger-tighten only!**
5. Tighten each long fastener with a hand tool (5/16 socket wrench or nut driver) 1 full additional turn. **Do NOT over-tighten the fasteners.** There should be no play or gaps between the unit and the dash. The bracket should remain straight without bending. **Hand-tighten only!**

WARNING! Do NOT use power tools to secure the hardware.

WARNING! Do NOT over-tighten the fasteners. If the bracket is bending or bowing, it is too tight. Over-tightening the fasteners may damage the control head.

Routing Cables to the Control Head

Hand-Tightening the Screw Nut

Securing the Installation



SOLIX® Series In-Dash Mounting Installation Guide

532539-1_B

6. Tighten each nut down to the bracket. Hand-tighten each nut using an open-ended wrench (while holding the fastener in place with a nut driver so it doesn't turn). Tighten the nuts down firmly. The split-ring lock washers will flatten. **Hand-tighten only!**

Confirm the hardware is secure and that there is no play in the system. **Do not over-tighten.**


 **WARNING!** Do NOT use power tools to secure the hardware.


 **WARNING!** Do NOT over-tighten the fasteners. If the bracket is bending or bowing, it is too tight. Over-tightening the fasteners may damage the control head.

7. Your control head is ready for operation. See the Quick Start Guide to get started and download the SOLIX Operations Manual from our Web site at humminbird.com.


Contact Humminbird

| | |
|------------------------|--|
| Web site | humminbird.com |
| E-mail | service@humminbird.com |
| Telephone | 1-800-633-1468 |
| Direct Shipping | Humminbird Service Department 678 Humminbird Lane Eufaula, AL 36027 USA |

 **WARNING!** This device should not be used as a navigational aid to prevent collision, grounding, boat damage, or personal injury. When the boat is moving, water depth may change too quickly to allow time for you to react. Always operate the boat at very slow speeds if you suspect shallow water or submerged objects.

 **WARNING!** Disassembly and repair of this electronic unit should only be performed by authorized service personnel. Any modification of the serial number or attempt to repair the original equipment or accessories by unauthorized individuals will void the warranty.


FCC NOTICE: This device complies with Part 15 of the FCC Rules. Operation is subject to the following two conditions: (1) this device may not cause harmful interference, and (2) this device must accept any interference received, including interference that may cause undesired operation.

 **CAUTION!** This equipment has been tested and found to comply with the limits for a Class B digital device, pursuant to Part 15 of the FCC Rules. These limits are designed to provide reasonable protection against harmful interference in a residential installation. This equipment generates, uses and can radiate radio frequency energy and, if not installed and used in accordance with the instructions, may cause harmful interference to radio communications. However, there is no guarantee that interference will not occur in a particular installation. If this equipment does cause harmful

interference to radio or television reception, which can be determined by turning the equipment off and on, the user is encouraged to try to correct the interference by one or more of the following measures:

- Reorient or relocate the receiving antenna.
- Increase the separation between the equipment and receiver.
- Connect the equipment into an outlet on a circuit different from that to which the receiver is connected.
- Consult the dealer or an experienced radio/TV technician for help.


Class B Device (Broadcasting and communication equipment for home):

 **CAUTION!** This equipment is home use (Class B) electromagnetic wave suitability equipment and to be used at home and it can be used in all areas.

ENVIRONMENTAL COMPLIANCE STATEMENT: It is the intention of Johnson Outdoors Marine Electronics, Inc. to be a responsible corporate citizen, operating in compliance with known and applicable environmental regulations, and a good neighbor in the communities where we make or sell our products.

WEEE DIRECTIVE: EU Directive 2002/96/EC "Waste of Electrical and Electronic Equipment Directive (WEEE)" impacts most distributors, sellers, and manufacturers of consumer electronics in the European Union. The WEEE Directive requires the producer of consumer electronics to take responsibility for the management of waste from their products to achieve environmentally responsible disposal during the product life cycle.

WEEE compliance may not be required in your location for electrical & electronic equipment (EEE), nor may it be required for EEE designed and intended as fixed or temporary installation in transportation vehicles such as automobiles, aircraft, and boats. In some European Union member states, these vehicles are considered outside of the scope of the Directive, and EEE for those applications can be considered excluded from the WEEE Directive requirement.

 This symbol (WEEE wheelie bin) on product indicates the product must not be disposed of with other household refuse. It must be disposed of and collected for recycling and recovery of waste EEE. Johnson Outdoors Marine Electronics, Inc. will mark all EEE products in accordance with the WEEE Directive. It is our goal to comply in the collection, treatment, recovery, and environmentally sound disposal of those products; however, these requirements do vary within European Union member states. For more information about where you should dispose of your waste equipment for recycling and recovery and/or your European Union member state requirements, please contact your dealer or distributor from which your product was purchased.

SOLIX® and Humminbird® are trademarked by or registered trademarks of Johnson Outdoors Marine Electronics, Inc.