

CAMO WATERFOWL EDITION

TRANSOM-MOUNT TROLLING MOTOR

USER MANUAL

CE MASTER USER MANUAL (FOR CE/C-TICK CERTIFIED MODELS)

Conforms to 89/336/EEC (EMC) under standards EN 55022A, EN 50082-2 since 1996 LN V9677264

THANK YOU

Thank you for choosing Minn Kota. We believe that you should spend more time fishing and less time positioning your boat. That's why we build the smartest, toughest, most intuitive trolling motors on the water. Every aspect of a Minn Kota trolling motor is thought out and rethought until it's good enough to bear our name. Countless hours of research and testing provide you the Minn Kota advantage that can truly take you "Anywhere. Anytime." We don't believe in shortcuts. We are Minn Kota. And we are never done helping you catch more fish.

REMEMBER TO KEEP YOUR RECEIPT AND IMMEDIATELY REGISTER YOUR TROLLING MOTOR.

A registration card is enclosed or you can complete registration on the internet at minnkotamotors.com.

NOTE: Do not return your Minn Kota motor to your retailer. Your retailer is not authorized to repair or replace this unit. You may obtain service by: calling Minn Kota at (800) 227-6433; returning your motor to the Minn Kota Factory Service Center; sending or taking your motor to any Minn Kota authorized service center. A list of authorized service centers is available on our website, at minnkotamotors.com. Please include proof of purchase, serial number and purchase date for warranty service with any of the above options.

Please thoroughly read this user manual. Follow all instructions and heed all safety and cautionary notices below. Use of this motor is only permitted for persons that have read and understood these user instructions. Minors may use this motor only under adult supervision.

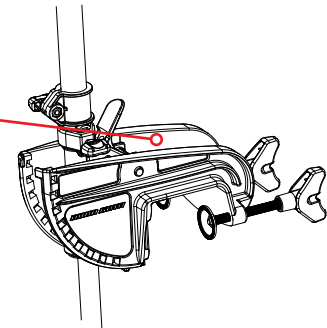
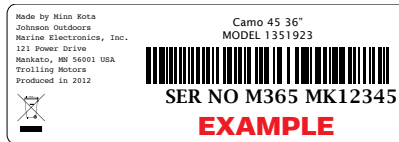
ATTENTION: Never run the motor out of the water, as this may result in injuries from the rotating propeller. The motor should be disconnected from the power source when it is not in use or is off the water. When connecting the power-supply cables of the motor to the battery, ensure that they are not kinked or subject to chafe and route them in such a way that persons cannot trip over them. Before using the motor make sure that the insulation of the power cables is not damaged. Disregarding these safety precautions may result in electric shorts of battery(s) and/or motor. Always disconnect motor from battery(s) before cleaning or checking the propeller. Avoid submerging the complete motor as water may enter the lower unit through control head and shaft. If the motor is used while water is present in the lower unit considerable damage to the motor can occur. This damage will not be covered by warranty.

CAUTION: Take care that neither you nor other persons approach the turning propeller too closely, neither with body parts nor with objects. The motor is powerful and may endanger or injure you or others. While the motor is running watch out for persons swimming and for floating objects. Persons whose ability to run the motor or whose reactions are impaired by alcohol, drugs, medication, or other substances are not permitted to use this motor. This motor is not suitable for use in strong currents. The constant noise pressure level of the motor during use is less than 70dB(A). The overall vibration level does not exceed 2,5m/sec².

LOCATING YOUR SERIAL NUMBER

Your Minn Kota 11-character serial number is very important. It helps to determine the specific model and year of manufacture. When contacting Consumer Service or registering your product, you will need to know your product's serial number. We recommend that you write the serial number down in the space provided below so that you have it available for future reference.

The serial number on your Camo trolling motor is located on the top of the transom bracket.



Model: _____

Serial Number: _____

Purchase Date: _____

Store Where Purchased: _____

TABLE OF CONTENTS

Two-Year Limited Warranty	4
Features	5
Installation	6
Battery & Wiring Installation	7-8
Boat Rigging & Product Installation	7
Conductor Gauge and Circuit Breaker Sizing Table	7
Selecting the Correct Batteries	8
How to Connect Batteries	8
Motor Wiring Diagram	9
Using and Adjusting the Motor	10-11
Adjusting the Depth of the Motor	10
Adjusting the Steering	10
Adjusting the Bracket	10
Adjusting the Tilt Twist Tiller™	11
Controlling Speed & Steering with the Tiller	11
Stowing the Motor	11
Service & Maintenance	12
Propeller Replacement	12
General Maintenance	12
Troubleshooting & Repair	13
Parts Diagram	14
Parts List	15
Compliance Statements	16
Notes	17

TWO-YEAR LIMITED WARRANTY

WARRANTY ON MINN KOTA FRESHWATER TROLLING MOTORS

Johnson Outdoors Marine Electronics, Inc. ("JOME") extends the following limited warranty to the original retail purchaser only. Warranty coverage is not transferable.

MINN KOTA LIMITED TWO-YEAR WARRANTY ON THE ENTIRE PRODUCT

JOME warrants to the original retail purchaser only that the purchaser's new Minn Kota freshwater trolling motor will be materially free from defects in materials and workmanship appearing within two (2) years after the date of purchase. JOME will (at its option) either repair or replace, free of charge, any parts found by JOME to be defective during the term of this warranty. Such repair, or replacement shall be the sole and exclusive liability of JOME and the sole and exclusive remedy of the purchaser for breach of this warranty.

MINN KOTA LIMITED LIFETIME WARRANTY ON COMPOSITE SHAFT

JOME warrants to the original retail purchaser only that the composite shaft of the purchaser's Minn Kota trolling motor will be materially free from defects in materials and workmanship appearing within the original purchaser's lifetime. JOME will provide a new composite shaft, free of charge, to replace any composite shaft found by JOME to be defective during the term of this warranty. Providing a new composite shaft shall be the sole and exclusive liability of JOME and the sole and exclusive remedy of the purchaser for breach of this warranty; **and purchaser shall be responsible for installing, or for the cost of labor to install, any new composite shaft provided by JOME.**

EXCLUSIONS & LIMITATIONS

This limited warranty does not apply to products that have been used in saltwater or brackish water, commercially or for rental purposes. This limited warranty does not cover normal wear and tear, blemishes that do not affect the operation of the product, or damage caused by accidents, abuse, alteration, modification, shipping damages, acts of God, negligence of the user or misuse, improper or insufficient care or maintenance. **DAMAGE CAUSED BY THE USE OF OTHER REPLACEMENT PARTS NOT MEETING THE DESIGN SPECIFICATIONS OF THE ORIGINAL PARTS WILL NOT BE COVERED BY THIS LIMITED WARRANTY.** The cost of normal maintenance or replacement parts which are not in breach of the limited warranty are the responsibility of the purchaser. Prior to using products, the purchaser shall determine the suitability of the products for the intended use and assumes all related risk and liability. Any assistance JOME provides to or procures for the purchaser outside the terms, limitations or exclusions of this limited warranty will not constitute a waiver of the terms, limitations or exclusions, nor will such assistance extend or revive the warranty. JOME will not reimburse the purchaser for any expenses incurred by the purchaser in repairing, correcting or replacing any defective products or parts, except those incurred with JOME's prior written permission. **JOME'S AGGREGATE LIABILITY WITH RESPECT TO COVERED PRODUCTS IS LIMITED TO AN AMOUNT EQUAL TO THE PURCHASER'S ORIGINAL PURCHASE PRICE PAID FOR SUCH PRODUCT.**

MINN KOTA SERVICE INFORMATION

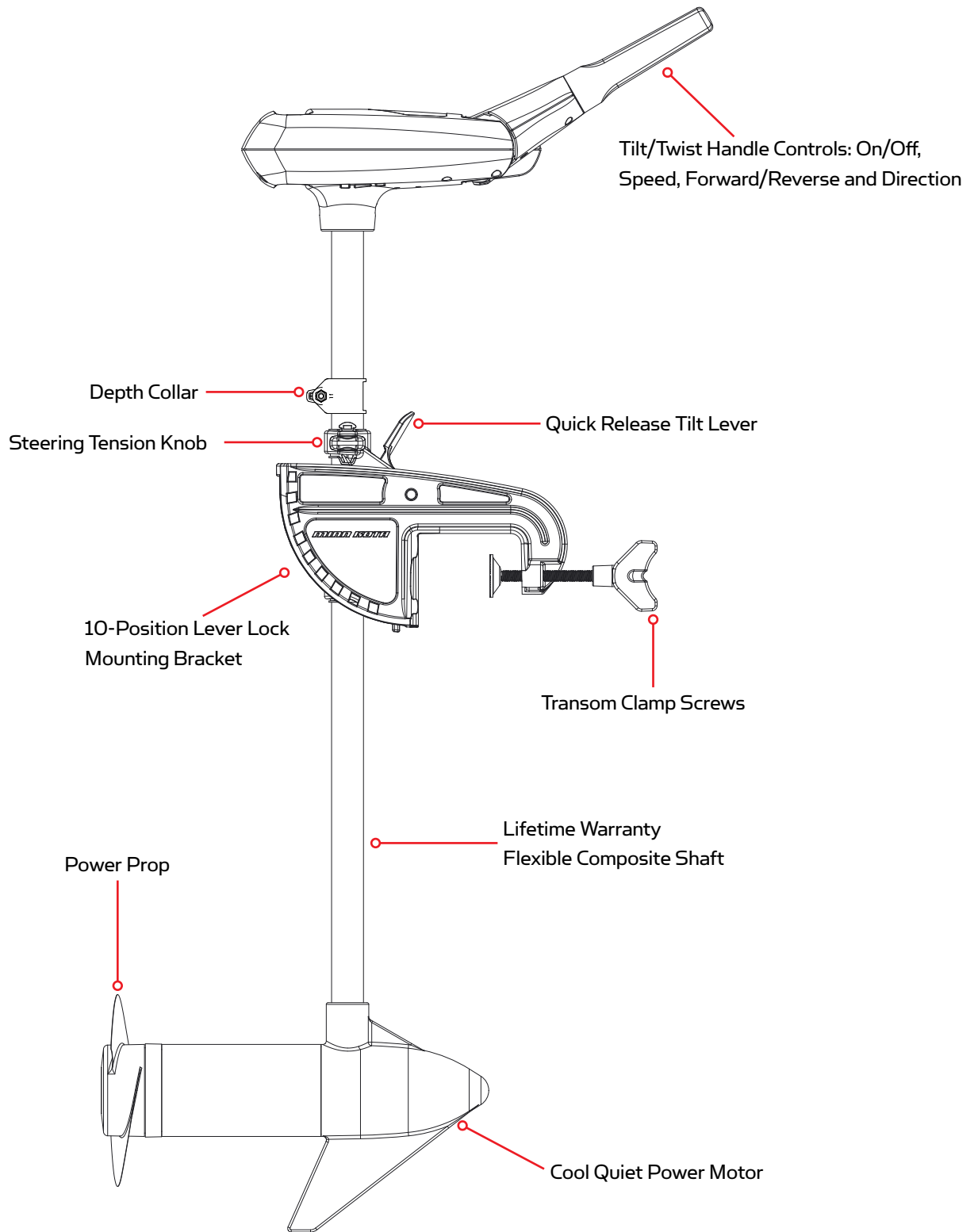
To obtain warranty service in the U.S., the product believed to be defective, and proof of original purchase (including the date of purchase), must be presented to a Minn Kota Authorized Service Center or to Minn Kota's factory service center in Mankato, MN. Any charges incurred for service calls, transportation or shipping/freight to/from the Minn Kota Authorized Service Center or factory, labor to haul out, remove, re-install or re-rig products removed for warranty service, or any other similar items are the sole and exclusive responsibility of the purchaser. Products purchased outside of the U.S. must be returned prepaid with proof of purchase (including the date of purchase and serial number) to any Authorized Minn Kota Service Center in the country of purchase. Warranty service can be arranged by contacting a Minn Kota Authorized Service Center or by contacting the factory at 1-800-227-6433 or email service@minnkotamotors.com. **Products repaired or replaced will be warranted for the remainder of the original warranty period [or for 90 days from the date of repair or replacement, whichever is longer]. For any product that is returned for warranty service that JOME finds to be not covered by or not in breach of this limited warranty, there will be a billing for services rendered at the prevailing posted labor rate and for a minimum of at least one hour.**

NOTE: Do not return your Minn Kota product to your retailer. Your retailer is not authorized to repair or replace products.

THERE ARE NO EXPRESS WARRANTIES OTHER THAN THESE LIMITED WARRANTIES. IN NO EVENT SHALL ANY IMPLIED WARRANTIES INCLUDING ANY IMPLIED WARRANTIES OF MERCHANTABILITY OR FITNESS FOR PARTICULAR PURPOSE, EXTEND BEYOND THE DURATION OF THE RELEVANT EXPRESS LIMITED WARRANTY. IN NO EVENT SHALL JOME BE LIABLE FOR PUNITIVE, INDIRECT, INCIDENTAL, CONSEQUENTIAL OR SPECIAL DAMAGES. Without limiting the foregoing, JOME assumes no responsibility for loss of use of product, loss of time, inconvenience or other damage.

Some states do not allow limitations on how long an implied warranty lasts or the exclusion or limitation of incidental or consequential damages, so the above limitations and/or exclusions may not apply to you. This warranty gives you specific legal rights and you may also have other legal rights which vary from state to state.

FEATURES



Specifications subject to change without notice.

INSTALLATION

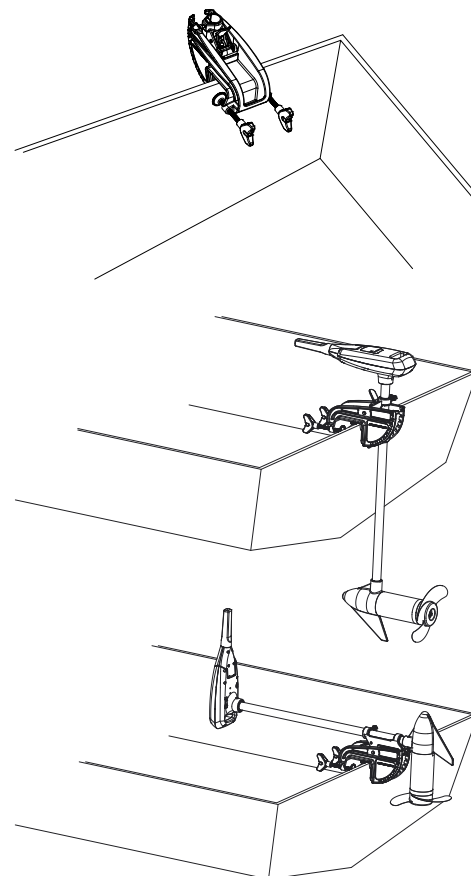
MOTOR INSTALLATION

1. Find a transom area of the boat that is free from obstructions.
2. Open the clamp screws on the bracket enough so that it will fit over the top of the boat transom.
3. Place the Lever Lock Mounting bracket over the top of the boat transom so that the bracket is resting on top of the transom.
4. Verify that there are no obstacles that the control box, handle, or prop might hit while in use that would restrict steering or cause damage to the motor.
5. Tighten down the clamp screws to the transom by hand only. Do not use any tools to tighten the clamp screws as this may damage the bracket or your boat.
6. We recommend the tilt angle of the motor to be adjusted so that the motor shaft is perpendicular to the water surface when the motor is in use.
7. For transport, always tilt the motor into the boat, such that the motor and prop assembly are completely out of the water and the motor is positioned up close to the lever lock bracket.

NOTE: When setting the depth be sure the top of the motor is submerged at least 12" to avoid churning or agitation of surface water. The propeller must be completely submerged.

CAUTION:

- **Never operate your motor when it is out of the water.**
- **Over-tightening the clamp screws can damage the bracket.**



BATTERY WIRING & INSTALLATION

BOAT RIGGING & PRODUCT INSTALLATION

For safety and compliance reasons, we recommend that you follow American Boat and Yacht Council (ABYC) standards when rigging your boat. Altering boat wiring should be completed by a qualified marine technician. The following specifications are for general guidelines only:

CAUTION: These guidelines apply to general rigging to support your Minn Kota motor. Powering multiple motors or additional electrical devices from the same power circuit may impact the recommended conductor gauge and circuit breaker size. If you are using wire longer than that provided with your unit, follow the conductor gauge and circuit breaker sizing table below. If your wire extension length is more than 25 feet, we recommend that you contact a qualified marine technician.

An over-current protection device (circuit breaker or fuse) must be used. Coast Guard requirements dictate that each ungrounded current-carrying conductor must be protected by a manually reset, trip-free circuit breaker or fuse. The type (voltage and current rating) of the fuse or circuit breaker must be sized accordingly to the trolling motor used. The table below gives recommended guidelines for circuit breaker sizing.

Reference:

United States Code of Federal Regulations: 33 CFR 183 – Boats and Associated Equipment
 ABYC E-11: AC and DC Electrical Systems on Boats

CONDUCTOR GAUGE AND CIRCUIT BREAKER SIZING TABLE

Motor Thrust / Model	Max Amp Draw	Circuit Breaker	Wire Extension Length *				
			5 feet	10 feet	15 feet	20 feet	25 feet
30 lb.	30	50 Amp @ 12 VDC	10 AWG	10 AWG	8 AWG	6 AWG	4 AWG
40 lb., 45 lb.	42		10 AWG	8 AWG	6 AWG	4 AWG	4 AWG
50 lb., 55 lb.	50	60 Amp @ 12 VDC	8 AWG	6 AWG	4 AWG	4 AWG	2 AWG
70 lb.	42	50 Amp @ 24 VDC	10 AWG	10 AWG	8 AWG	8 AWG	6 AWG
80 lb.	56	60 Amp @ 24 VDC	8 AWG	8 AWG	8 AWG	6 AWG	6 AWG
101 lb.	46	50 Amp @ 36 VDC	8 AWG	8 AWG	8 AWG	8 AWG	8 AWG
Engine Mount 101	50	60 Amp @ 36 VDC	8 AWG	6 AWG	4 AWG	4 AWG	2 AWG
112 lb.	52	60 Amp @ 36 VDC	8 AWG	8 AWG	8 AWG	8 AWG	8 AWG
Engine Mount 160	116	(2) x 60 Amp @ 24 VDC	2 AWG	2 AWG	2 AWG	2 AWG	2 AWG
E-Drive	40	50 Amp @ 48 VDC	10 AWG	10 AWG	10 AWG	10 AWG	10 AWG

This conductor and circuit breaker sizing table is only valid for the following assumptions:

1. No more than 3 conductors are bundled together inside of a sheath or conduit outside of engine spaces.
2. Each conductor has 105° C temp rated insulation.
3. No more than 5% voltage drop allowed at full motor power based on published product power requirements.

***Wire Extension Length refers to the distance from the batteries to the trolling motor leads.**

SELECTING THE CORRECT BATTERIES

The motor will operate with any lead acid, deep cycle marine 12 volt battery/batteries. For best results, use a deep cycle, marine battery with at least a 105 ampere hour rating. Maintain battery at full charge. Proper care will ensure having battery power when you need it, and will significantly improve the battery life. Failure to recharge lead-acid batteries (within 12-24 hours) is the leading cause of premature battery failure. Use a multi-stage charger to avoid overcharging. We offer a wide selection of chargers to fit your charging needs. If you are using a crank battery to start a gasoline outboard, we recommend that you use a separate deep cycle marine battery/batteries for your Minn Kota trolling motor.

Advice Regarding Batteries:

- Never connect the (+) and the (-) terminals of the battery together. Take care that no metal object can fall onto the battery and short the terminals. This would immediately lead to a short and extreme fire danger.
- It is highly recommended that a circuit breaker or fuse be used with this trolling motor. Refer to “Conductor Gauge and Circuit Breaker Sizing Table” in the previous section to find the appropriate circuit breaker or fuse for your motor. For motors requiring a 60-amp breaker, the Minn Kota MKR-19 60-amp circuit breaker is recommended.

CONNECTING THE BATTERIES

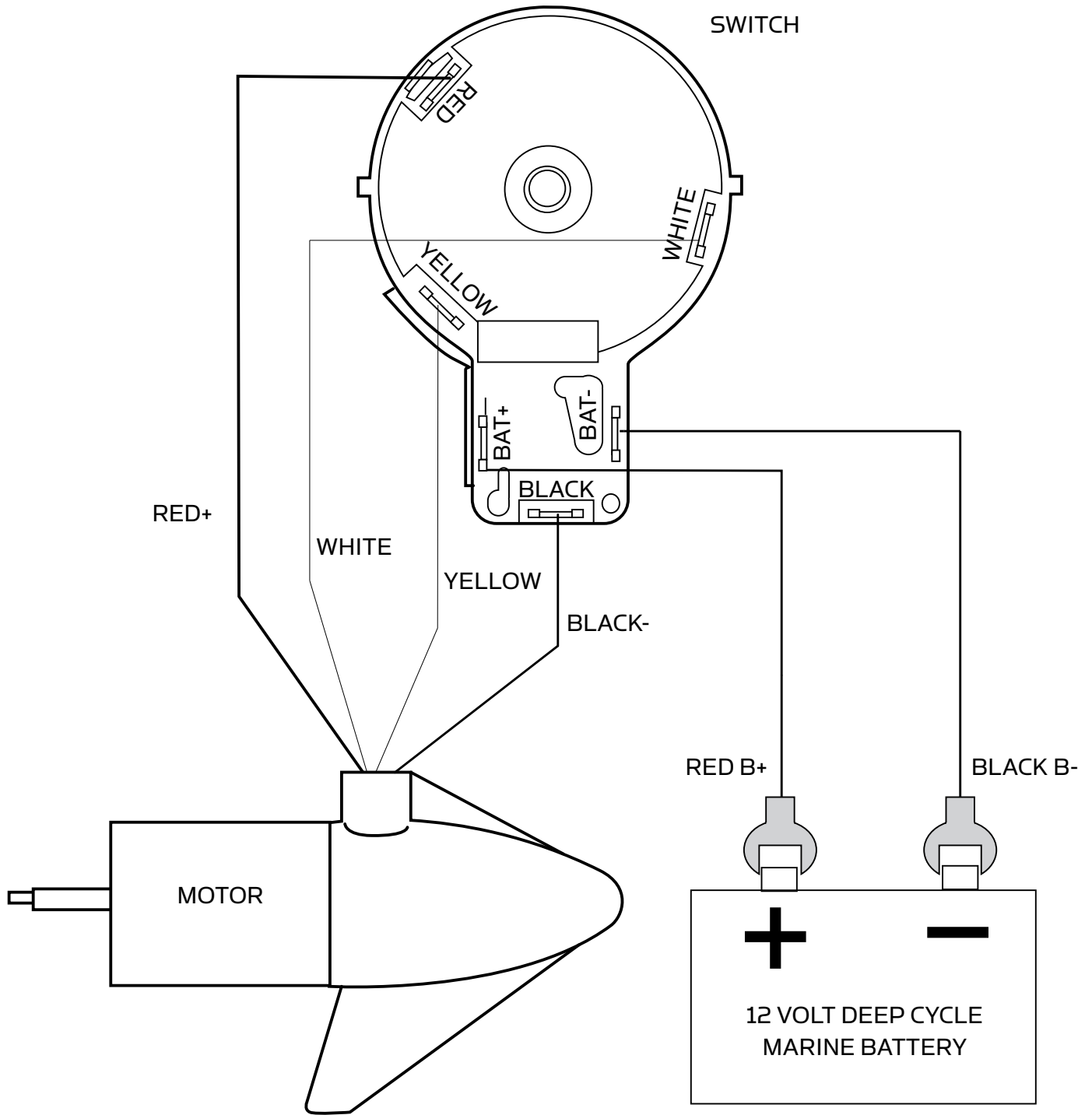
12 VOLT SYSTEMS:

1. Make sure that the motor is switched off (speed selector on “OFF” or “O”).
2. Connect positive (+) red lead to positive (+) battery terminal.
3. Connect negative (-) black lead to negative (-) battery terminal.
4. For safety reasons do not switch the motor on until the propeller is in the water.

CAUTION:

For safety reasons, disconnect the motor from the battery/batteries when the motor is not in use or while the battery/batteries are being charged.

MOTOR WIRING DIAGRAM



USING & ADJUSTING THE MOTOR

ADJUSTING THE DEPTH OF THE MOTOR

When setting the depth be sure the top of the motor is submerged at least 12" to avoid churning or agitation of surface water. The propeller must be completely submerged.

1. Firmly grasp the composite shaft and hold it steady.
2. Loosen the steering tension knob and depth collar knob until the shaft slides freely.
3. Raise or lower the motor to the desired depth.
4. Tighten depth collar knob to secure the motor in place.

CAUTION:

- **Never operate your motor when it is out of the water.**
- **Over-tightening the clamp screws can damage the bracket.**

ADJUSTING THE STEERING

- Adjust the steering tension knob to provide enough tension to allow the motor to turn freely, yet remain in any position without being held

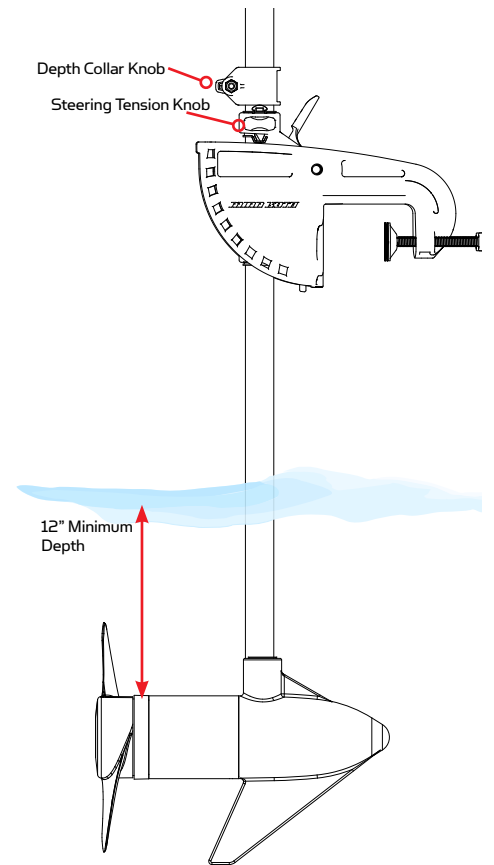
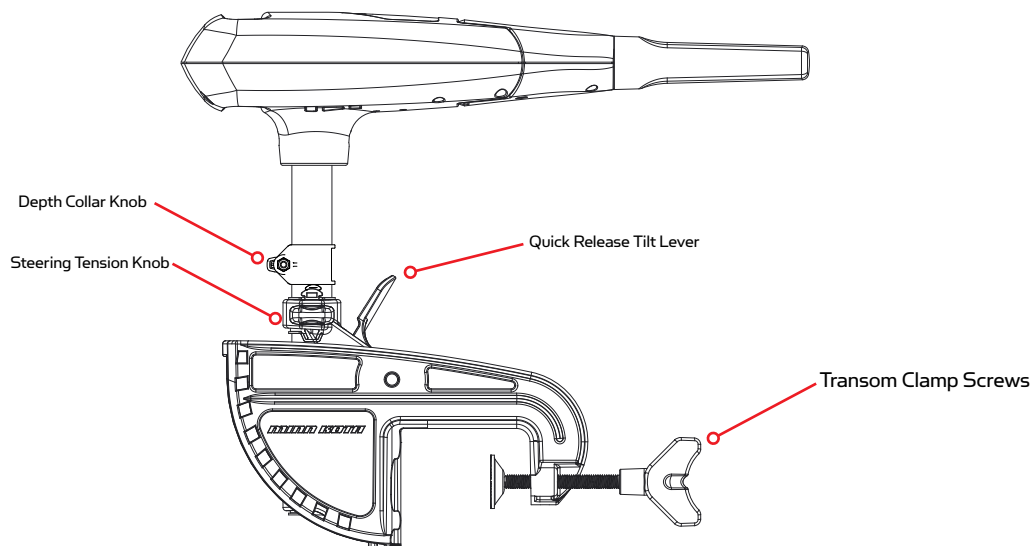
OR

- Tighten the knob to place the motor in a preset position to leave your hands free for fishing.

ADJUSTING THE BRACKET

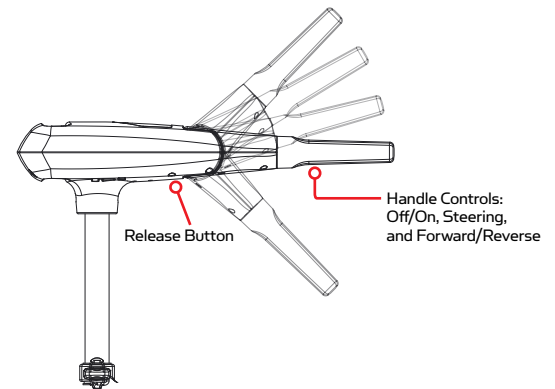
You can lock your motor in a vertical position, angle it for shallow water or tilt it completely out of the water.

1. Firmly grasp the control head or composite shaft.
2. Press the tilt lever toward the shaft and hold to release the detent lock or T-bar to adjust the position of the mounting bracket.
3. Tilt to any of the positions on the mounting bracket.
4. Release the tilt lever.



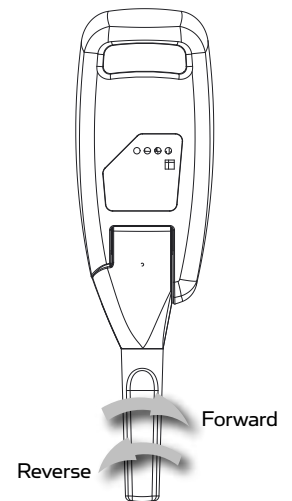
ADJUSTING THE TILT TWIST TILLER™

The twist grip tiller handle is shipped in the down position. Firmly pull the handle up to the horizontal position. The handle has five available positions: 45° down, horizontal, 15°, 30°, and 45° tilted up. The handle locks in the horizontal position but can be tilted down by pushing the release button located on the left underside of the handle pivot.



CONTROLLING SPEED & STEERING WITH THE TILLER

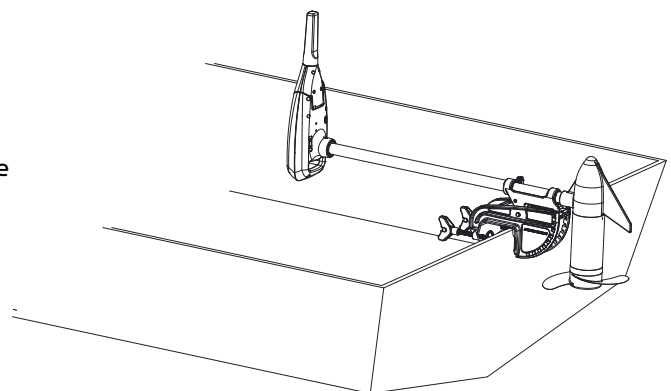
This motor offers a choice of five forward and three reverse speeds. The speed control may be operated in either direction, forward or reverse. Turn the tiller handle counterclockwise from O (off) to increase reverse speed and clockwise from O (off) to increase forward speed. Thrust decreases as you approach O from either direction.



STOWING THE MOTOR

1. Adjust depth so that the motor is fully raised.
2. Press and hold tilt lever.
3. Tilt motor into the boat.
4. For transport, always tilt the motor into the boat such that the motor and prop assembly are completely out of the water and the motor is positioned up close to the lever lock bracket.

WARNING: When raising/lowering motor or operating the tilt mechanism, keep fingers clear of all hinge and pivot points and all moving parts.



SERVICE & MAINTENANCE

PROPELLER REPLACEMENT

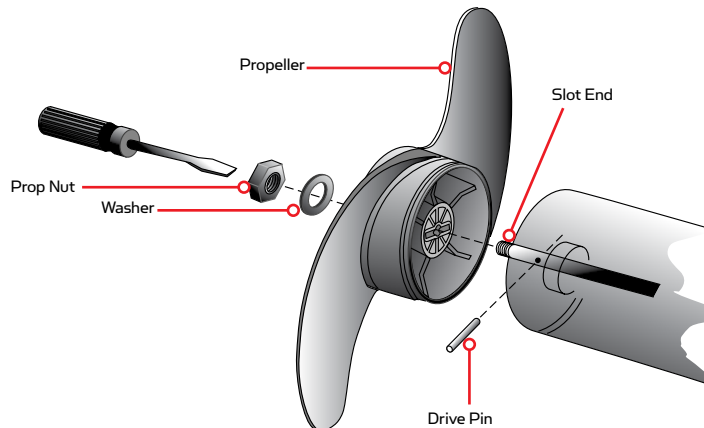
TOOLS AND RESOURCES REQUIRED:

- Box End Wrench
 - 1/2" for motors with 70 lbs thrust or lower.
 - 9/16" for motors with 80 lbs thrust or higher.
- Screwdriver (optional)

CAUTION:

Disconnect the motor from the battery before beginning any prop work or maintenance.

NOTE: The propeller on your motor may differ from the one pictured.



1. Disconnect the motor from all sources of power prior to changing the propeller.
2. Hold the propeller and loosen the prop nut with pliers or a wrench.
3. Remove the prop nut and washer. If the drive pin is sheared or broken, you will need to hold the shaft stationary with a blade screwdriver pressed into the slot on the end of the shaft.
4. Turn the old prop to horizontal (as illustrated) and pull it straight off. If drive pin falls out, push it back in.
5. Align the new propeller with the drive pin.
6. Install the prop washer and prop nut.
7. Tighten the prop nut 1/4 turn past snug [25-35 inch lbs.] Do not over tighten as this can damage the prop.

GENERAL MAINTENANCE

1. After use, the entire motor should be rinsed with freshwater, then wiped down with a cloth dampened with an aqueous based silicone spray. This series of motors is not equipped for saltwater exposure.
2. The propeller must be inspected and cleaned from weeds and fishing line after every use. Fishing line and weeds can get behind the prop, damage the seals and allow water to enter the motor.
3. Verify the prop nut is secure each time the motor is used.
4. To prevent accidental damage during transportation or storage, disconnect the battery whenever the motor is off of the water. For prolonged storage, lightly coat all metal parts with an aqueous based silicone spray.
5. For maximum battery life recharge the battery(s) as soon as possible after use. For maximum motor performance restore battery to full charge prior to use.
6. Keep battery terminals clean with fine sandpaper or emery cloth.
7. The propeller is designed to provide weed free operation with very high efficiency. To maintain this top performance, the leading edge of the blades must be kept smooth. If they are rough or nicked from use, restore to smooth by sanding with fine sandpaper.

TROUBLESHOOTING & REPAIR

1. Motor fails to run or lacks power:
 - Check battery connections for proper polarity.
 - Make sure terminals are clean and corrosion free. Use fine sandpaper or emery cloth to clean terminals.
 - Check battery water level. Add water if needed.
2. Motor loses power after a short running time:
 - Check battery charge. If low, restore to full charge.
3. Motor is difficult to steer:
 - Loosen the steering tension knob on the bracket
 - Lubricate the composite shaft.
4. You experience prop vibration during normal operation:
 - Remove and rotate the prop 180°. See removal instructions in the Propeller Replacement section.
5. Experiencing interference with your fishfinder:
 - You may, in some applications, experience interference in your depth finder display. We recommend that you use a separate deep cycle marine battery for your trolling motor and that you power the depth finder from the starting/cranking battery. If problems still persist, call our service department at 1-800-227-6433.

NOTE: For all other malfunctions, visit an Authorized Service Center. You can search for an Authorized Service Center in your area by visiting our Authorized Service Center page, found online at minnkotamotors.com, or by calling our customer service number, 800-227-6433.

FOR FURTHER TROUBLESHOOTING AND REPAIR

We offer several options to help you troubleshoot and/or repair your product. Please read through the options listed below.



FREQUENTLY ASKED QUESTIONS

We have FAQs available on our website to help answer all of your Minn Kota questions. Visit minnkotamotors.com and click on “Frequently Asked Questions” to find an answer to your question.



CALL US (FOR U.S. AND CANADA)

Our consumer service representatives are available Monday – Friday between 7:00 a.m. – 4:30 p.m. CST at 800-227-6433. If you are calling to order parts, please have the 11-character serial number from your product, specific part numbers, and credit card information available. This will help expedite your call and allow us to provide you with the best consumer service possible. You can reference the parts list located in your manual to identify the specific part numbers.



EMAIL US

You can email our consumer service department with questions regarding your Minn Kota products. To email your question, visit minnkotamotors.com and click on “Support”.



AUTHORIZED SERVICE CENTERS

Minn Kota has over 300 authorized service centers in the United States and Canada where you can purchase parts or get your products repaired. Please visit our Authorized Service Center page on our website to locate a service center in your area.

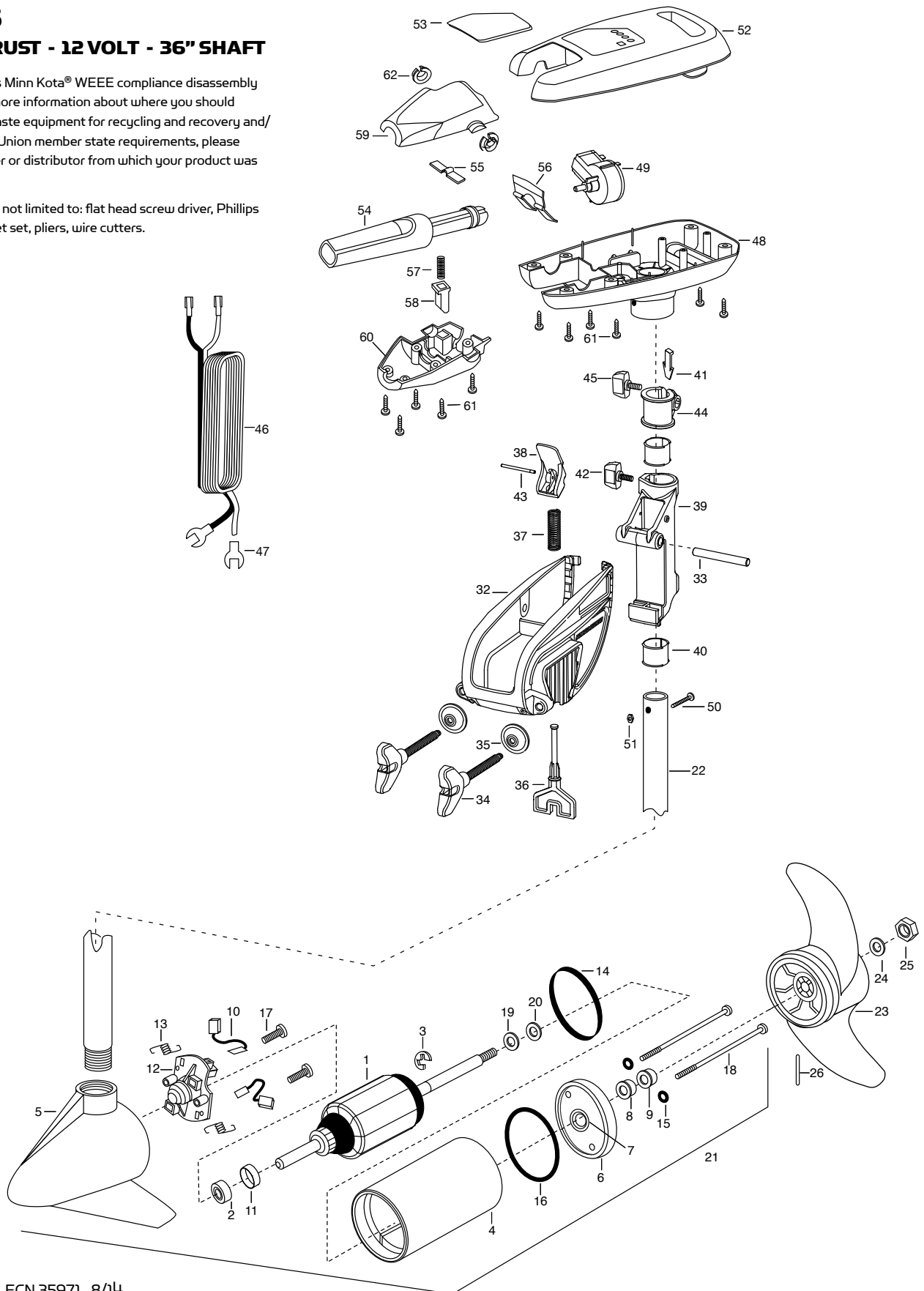
PARTS DIAGRAM

CAMO 55

55 LBS THRUST - 12 VOLT - 36" SHAFT

This page provides Minn Kota® WEEE compliance disassembly instructions. For more information about where you should dispose of your waste equipment for recycling and recovery and/or your European Union member state requirements, please contact your dealer or distributor from which your product was purchased.

Tools required, but not limited to: flat head screw driver, Phillips screw driver, socket set, pliers, wire cutters.



PARTS LIST

CAMO 55

55 LBS THRUST - 12 VOLT - 36" SHAFT

ITEM	QTY	PART NUMBER	DESCRIPTION
1	1	2-100-117	ARMATURE ASSEMBLY 12V 3.62 FW
2	1	140-010	RADIAL BEARING
3	1	788-015	RETAINING RING
4	1	2-200-101	CENTER HOUSING ASSEMBLY
5	1	2-300-196	BRUSH END HOUSING ASSEMBLY 3.62 SPCO 36"
6	1	2-400-101	PLAIN END HOUSING ASSEMBLY
7	1	144-049	FLANGE BEARING (SERVICE ONLY)
8	1	880-003	SEAL
9	1	880-006	SEAL W/SHIELD
10	2	188-036	BRUSH ASSEMBLY
11	1	725-050	BRUSH RETENTION – PAPER TUBE
12	1	738-036	BRUSH PLATE WITH HOLDER
13	2	975-040	TORSION SPRING
14	1	337-036	GASKET
15	2	701-008	O-RING
16	1	701-081	O-RING
17	2	830-007	SCREW – #8-32
18	2	830-042	THRU BOLT #10-32X8.83
19	1	990-067	WASHER – STEEL THRUST
20	1	990-070	WASHER – NYLATRON
21	1	2097075	MOTOR ASSEMBLY 12V 3.62 55PC FW 36"
22	1	2067711	COMPOSITE 36" COMPOSITE TUBE
■	1	1378170	PROPELLER KIT
23	1	2091170	POWER PROPELLER 3-5/8"
24	1	2151726	WASHER – 5/16 STD SS
25	1	2053101	NUT – NYLOC 5/16
26	1	2092600	DRIVE PIN
■	1	2771810	BRACKET & HINGE ASSEMBLY
■	1	2771910	BRACKET ASSEMBLY (INCLUDES 32, 34, 35)
32	1	2061910	BRACKET
33	1	2060510	HINGE PIN

ITEM	QTY	PART NUMBER	DESCRIPTION
*34	2	2061300	SCREW – CLAMP
*35	2	2011710	WASHER – CLAMP
■	1	2881300	SCREW – CLAMP, WASHER, RETAINER KIT
36	1	2063605	PLASTIC T-BAR
37	1	2062706	T-BAR SPRING
38	1	2067201	BLACK TILT LEVER
39	1	2061810	PLASTIC HINGE
40	2	2037301	HINGE BUSHING
41	1	2062800	SNAP-IN TENSION BLOCK
42	1	2011385	SCREW – TENSION
43	1	2060515	TILT LEVER PIN
44	1	2031520	DEPTH COLLAR
45	1	2011365	SCREW – COLLAR/NEW KNOB
46	1	2050609	LEADWIRE 10 GA SPADE TERM
47	2	2020702	SPADE TERMINAL 10GA.
48	1	2067706	CONTROL BOX CAMO 55
49	1	2064028	SWITCH – FWD/REV 5 SP
50	1	2033400	SCREW – #10-24 X 1-3/4
51	1	2013110	NUT – 10-24 HEX
52	1	2060284	CONTROL BOX COVER
53	1	2035621	CONTROL BOX COVER DECAL CAMO 55XL
54	1	2990918	INNER HANDLE ASSEMBLY
55	1	2302742	DETENT SPRING, OFF
56	1	2302743	HANDLE DETENT SPRING
57	1	2302745	RELEASE BUTTON SPRING
58	1	2303720	HANDLE RELEASE BUTTON
59	1	2067708	HAND TOP
60	1	2067707	HANDLE LOWER
61	11	2303412	SCREW – #6-20 X 5/8 SELF-TAP
62	2	2060005	HANDLE PIVOT BEARING
■	1	2888460	SEAL AND O-RING KIT

■ THIS ITEM IS PART OF AN ASSEMBLY.

*THIS ITEM IS PART OF A KIT AND ONLY LISTED FOR VIEWING PURPOSES.

COMPLIANCE STATEMENTS

ENVIRONMENTAL COMPLIANCE STATEMENT:

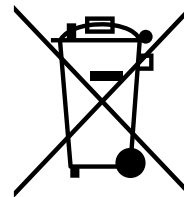
It is the intention of JOME to be a responsible corporate citizen, operating in compliance with known and applicable environmental regulations, and a good neighbor in the communities where we make or sell our products.

WEEE DIRECTIVE:

EU Directive 2002/96/EC “Waste of Electrical and Electronic Equipment Directive (WEEE)” impacts most distributors, sellers, and manufacturers of consumer electronics in the European Union. The WEEE Directive requires the producer of consumer electronics to take responsibility for the management of waste from their products to achieve environmentally responsible disposal during the product life cycle.

WEEE compliance may not be required in your location for electrical & electronic equipment (EEE), nor may it be required for EEE designed and intended as fixed or temporary installation in transportation vehicles such as automobiles, aircraft, and boats. In some European Union member states, these vehicles are considered outside of the scope of the Directive, and EEE for those applications can be considered excluded from the WEEE Directive requirement.

This symbol (WEEE wheelie bin) on product indicates the product must not be disposed of with other household refuse. It must be disposed of and collected for recycling and recovery of waste EEE. Johnson Outdoors Inc. will mark all EEE products in accordance with the WEEE Directive. It is our goal to comply in the collection, treatment, recovery, and environmentally sound disposal of those products; however, these requirements do vary within European Union member states. For more information about where you should dispose of your waste equipment for recycling and recovery and/or your European Union member state requirements, please contact your dealer or distributor from which your product was purchased.



DISPOSAL:

Minn Kota motors are not subject to the disposal regulations EAG-VO (electric devices directive) that implements the WEEE directive. Nevertheless never dispose of your Minn Kota motor in a garbage bin but at the proper place of collection of your local town council.

Never dispose of battery in a garbage bin. Comply with the disposal directions of the manufacturer or his representative and dispose of them at the proper place of collection of your local town council.

WARNING: This product contains chemicals known to the State of California to cause cancer and birth defects or other reproductive harm.

RECOMMENDED ACCESSORIES

ON-BOARD & PORTABLE BATTERY CHARGERS

Stop buying new batteries and start taking care of the ones you've got. Many chargers can actually damage your battery over time – creating shorter run times and shorter overall life. Digitally controlled Minn Kota chargers are designed to provide the fastest charge that protect and extend battery life.



MK345PC



MK210D



MK110P

TALON SHALLOW WATER ANCHOR

Talon deploys faster, holds stronger and runs quieter than any other shallow water anchor. Available in depths up to 12' and bold color options, it boasts an arsenal of features and innovations that no other anchor can touch:



- Vertical, multi-stage deployment
- User-Selectable Anchoring Modes
- 2x Anchoring Force
- Fast Deploy
- Auto Up/Down
- Triple Debris shields*
- Built-In Wave Absorption
- Noise Dissipation
- Versatile Adjustments

*available on 10' and 12' models only

MINN KOTA ACCESSORIES

We offer a wide variety of trolling motor accessories, including:



- 60-Amp Circuit Breaker
- Mounting Brackets
- Stabilizer Kits
- Extension Handles
- Battery Connectors
- Battery Boxes
- Quick Connect Plugs

For a complete listing of Minn Kota accessories, visit minnkotamotors.com

Follow us:



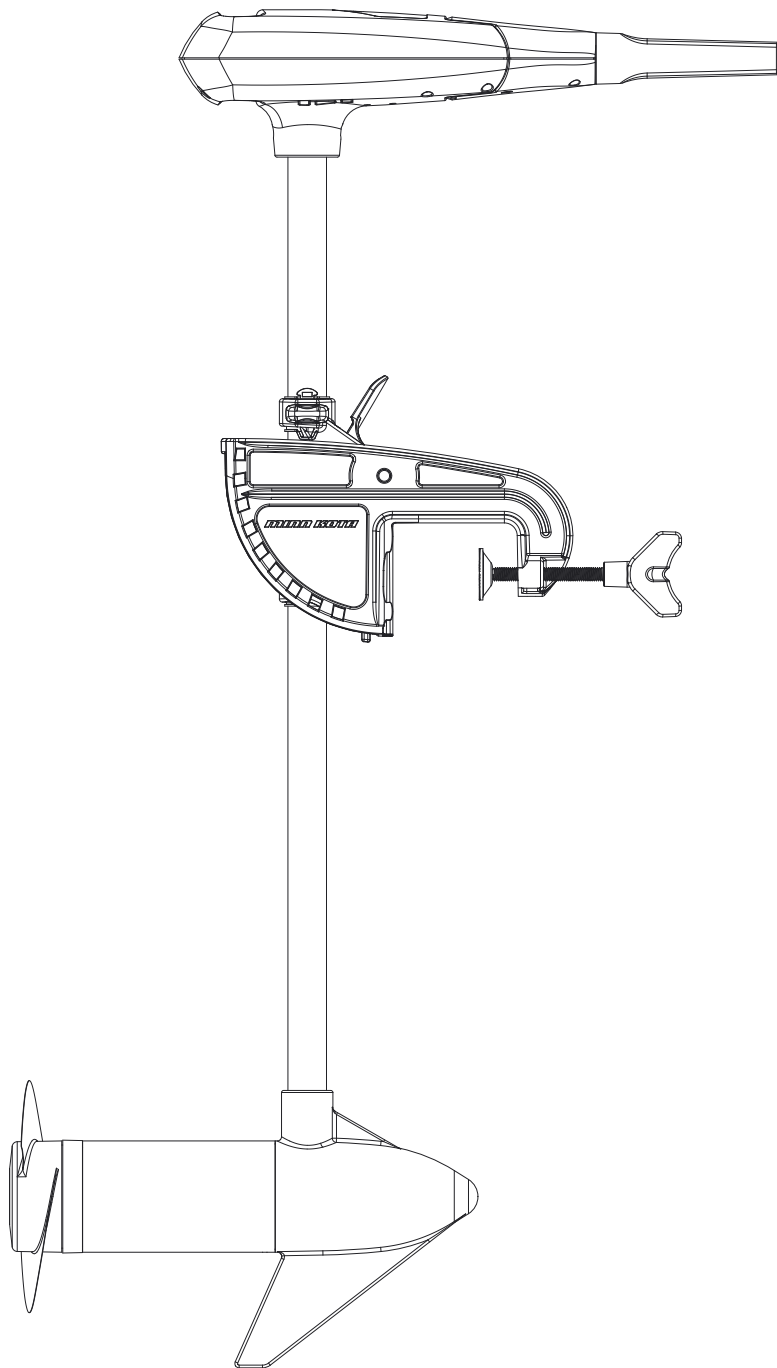
minnkotamotors.com

Minn Kota Consumer & Technical Service
Johnson Outdoors Marine Electronics, Inc.
PO Box 8129
Mankato, MN 56001

121 Power Drive
Mankato, MN 56001
Phone (800) 227-6433
Fax (800) 527-4464



©2014 Johnson Outdoors Marine Electronics, Inc.
All rights reserved.



CAMO WATERFOWL EDITION

PROPULSEUR ÉLECTRIQUE À MONTAGE SUR ARCASSE

MANUEL DE L'UTILISATEUR

MANUEL CE D'UN MASTER (CE/C-TICK CERTIFIED MODELS)

Conforme à la norme 89/336/EEC (EMC) selon les normes EN 55022A, EN 50082-2 depuis 1996 LN V9677264

MERCI

Nous vous remercions d'avoir choisi Minn Kota. Nous sommes persuadés que vous devriez consacrer plus de temps à pêcher et moins de temps à amarrer votre embarcation. C'est pourquoi nous construisons les propulseurs électriques les plus intelligents, les plus solides et les plus intuitifs. Chaque aspect d'un propulseur électrique Minn Kota est envisagé et étudié jusqu'à ce qu'il soit digne de porter notre nom. Des heures incalculables de recherche et d'essai vous assurent les avantages d'un article Minn Kota qui vous mènera n'importe où, et n'importe quand. Notre principe est simple, nous faisons les choses selon les règles. Nous sommes Minn Kota. Et nous ne cesserons jamais de vous aider à pêcher plus de poissons.

N'OUBLIEZ PAS DE CONSERVER VOTRE REÇU ET D'ENREGISTRER IMMÉDIATEMENT VOTRE PROPULSEUR ÉLECTRIQUE.

Un formulaire d'enregistrement est compris ou vous pouvez remplir le formulaire d'enregistrement par Internet sur le site Web minnkotamotors.com.

REMARQUE : ne pas retourner le moteur Minn Kota au détaillant. Le détaillant n'est pas autorisé à réparer ou à remplacer cet appareil. Pour le service : communiquer avec Minn Kota au +1 (800) 227-6433; retourner le moteur au Centre de service de l'usine de Minn Kota; envoyer ou apporter le moteur à un centre de service agréé de Minn Kota. Une liste de centres de service agréés est disponible sur notre site Web minnkotamotors.com. Pour obtenir un service au titre de la garantie, y compris toutes les options susmentionnées, veuillez inclure la preuve d'achat, le numéro de série et la date de l'achat.

Veillez lire attentivement ce manuel de l'utilisateur. Suivre toutes les instructions et tenir compte de toutes les consignes de sécurité et les mises en garde décrites ci-dessous. L'utilisation de ce moteur n'est autorisée que pour les personnes qui ont lu et compris ces consignes pour l'utilisateur. Les personnes mineures peuvent utiliser ce moteur uniquement sous la supervision d'un adulte.

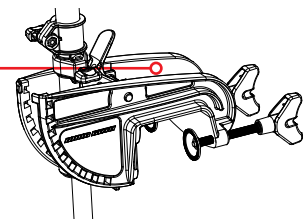
ATTENTION : ne jamais faire fonctionner le moteur hors de l'eau, puisque cela entraînerait des blessures causées par l'hélice en rotation. Le moteur doit être débranché de la source d'alimentation lorsqu'il n'est pas utilisé ou lorsqu'il est hors de l'eau. Au moment de brancher les câbles d'alimentation du moteur à la batterie, veiller à ce qu'ils ne soient pas entortillés ou exposés au frottement, puis les placer de telle manière que les personnes ne puissent pas faire trébucher. Avant d'utiliser le moteur, s'assurer que l'isolant des câbles d'alimentation n'est pas endommagé. Ne pas tenir compte de ces mesures de sécurité peut entraîner des courts-circuits avec les batteries et/ou le moteur. Toujours débrancher le moteur des batteries avant le nettoyage ou la vérification de l'hélice. Éviter de submerger complètement le moteur, car l'eau pourrait pénétrer dans l'unité inférieure par la tête de contrôle et l'arbre. Si le moteur est utilisé alors que de l'eau est présente dans l'unité inférieure, ce dernier pourrait subir des dommages considérables. Ces dommages ne seront pas couverts par la garantie.

ATTENTION : veillez à ce que ni vous, ni les autres personnes ne s'approchent trop près de l'hélice en rotation, que ce soit seulement avec une partie du corps ou des objets. Le moteur est puissant et pourrait provoquer des situations périlleuses ou des blessures, pour vous ou les autres. Lorsque le moteur est en marche, se méfier des objets flottants ou des personnes qui pourraient être en train de nager. Les personnes, dont les réactions ou la capacité à faire fonctionner le moteur est/sont affaiblie (s) par l'alcool, la drogue, les médicaments ou d'autres substances, ne sont pas autorisées à utiliser ce moteur. Ce moteur n'est pas adapté à l'utilisation dans de forts courants. Le niveau de pression sonore constant du moteur au moment de l'utilisation est inférieur à 70 dB (A). Le niveau de vibration général ne dépasse pas 2,5 m/s².

LOCALISATION DU NUMÉRO DE SÉRIE

Le numéro de série à 11 caractères Minn Kota est très important. Il permet de déterminer le modèle spécifique et l'année de fabrication. Lorsque vous contactez le service à la clientèle ou que vous enregistrez votre article, vous aurez besoin du numéro de série de votre article. Nous vous suggérons d'inscrire le numéro de série dans l'espace fourni ci-dessous afin qu'il soit disponible ultérieurement.

Le numéro de série sur votre Camo moteur à la traîne est situé sur la partie supérieure du support du tableau arrière.



Modèle : _____

Numéro de série : _____

Date de l'achat : _____

Magasin où l'achat a été effectué : _____

TABLE DES MATIÈRES

Garantie Limitée de Deux Ans	22
Caractéristiques	23
Installation	24
Installation de la Batterie et du Câblage	25-26
Grément de l'embarcation et Installation du Produit	25
Tableau des Dimensions de Gabarit des Conducteurs et Disjoncteurs	25
Sélectionner une Batterie Adéquate	26
Comment Raccorder la Batterie	26
Schéma de Câblage du Moteur	27
Utilisation et Réglage du Moteur	28-29
Réglage de la Profondeur du Moteur	28
Réglage de la Direction	28
Réglage du Support	28
Réglage du Barre de Torsion et D'Inclinaison	29
Barre de Torsion et D'Inclinaison	29
Arrimage du Moteur	29
Service et Entretien	30
Remplacement de l'hélice	30
Entretien général	30
Dépannage et Réparation	31
Schéma des Pièces	32
Liste des Pièces	33
Déclaration de Conformité	34
Remarques	35

GARANTIE LIMITÉE DE DEUX ANS

GARANTIE DES PROPULSEURS ÉLECTRIQUES POUR EAU DOUCE

Johnson Outdoors Marine Electronics, Inc. (« JOME ») offre la garantie limitée suivante uniquement à l'acheteur au détail initial. La garantie n'est pas transférable.

GARANTIE LIMITÉE DE DEUX ANS DE MINN KOTA SUR L'ENSEMBLE DU PRODUIT

JOME garantit uniquement à l'acheteur au détail initial que son nouveau propulseur électrique pour eau douce Minn Kota est exempt de défauts résultant d'un vice de fabrication et de main-d'œuvre pouvant survenir au cours des deux (2) ans suivant la date d'achat. JOME se réserve le droit de réparer ou de remplacer, au choix et gratuitement, toute pièce pouvant s'avérer défectueuse pendant la durée de la présente garantie. Cette réparation ou ce remplacement est l'unique et exclusive responsabilité de JOME et constitue le seul recours de l'acheteur pour tout manquement à la présente garantie.

GARANTIE À VIE LIMITÉE DE MINN KOTA SUR L'ARBRE COMPOSITE

JOME garantit uniquement à l'acheteur au détail initial que l'arbre composite de son propulseur électrique Minn Kota est exempt de défauts résultant d'un vice de fabrication et de main-d'œuvre pouvant survenir au cours de la durée de vie de l'acheteur initial. JOME fournira, gratuitement, un arbre composite neuf pour remplacer tout arbre composite pouvant s'avérer défectueux pendant la durée de la présente garantie. Fournir un arbre composite neuf sera la seule et exclusive responsabilité de JOME et le seul et unique recours de l'acheteur pour tout manquement à la présente garantie; et l'acheteur sera responsable de l'installation ou du coût de la main-d'œuvre pour l'installation de tout arbre composite neuf, fourni par JOME.

EXCLUSIONS & LIMITATIONS

La présente garantie limitée ne s'applique pas aux produits qui ont été utilisés en eau salée, en eau saumâtre ou à des fins commerciales ou locatives. Cette garantie ne couvre pas l'usure normale, les imperfections qui n'affectent pas le fonctionnement du moteur, ni les dommages causés par les accidents, l'abus, l'altération, la modification, les dommages durant le transport, les désastres naturels, la négligence de l'utilisateur, l'utilisation abusive, un soin ou un entretien inadéquat. **LES DOMMAGES CAUSÉS PAR L'UTILISATION DE PIÈCES DE REMPLACEMENT NON CONFORMES AUX SPÉCIFICATIONS DE CONCEPTION DES PIÈCES ORIGINALES NE SONT PAS COUVERTS PAR LA PRÉSENTE GARANTIE LIMITÉE.** Le coût de l'entretien normal ou des pièces de rechange qui ne contreviennent pas à la garantie limitée incombe à l'acheteur. Avant utilisation, l'acheteur doit déterminer si le produit convient à l'emploi prévu et assume tous les risques et responsabilités connexes. Toute assistance fournie par JOME à l'acheteur ou au nom de ce dernier hors du cadre des modalités, des restrictions et des exclusions de la présente garantie limitée ne constitue pas une renonciation à l'égard de telles modalités, restrictions ou exclusions, et une telle assistance n'aura pas pour effet de prolonger ni de restaurer la garantie. JOME ne remboursera aucune dépense encourue par l'acheteur dans le cadre de la réparation, de la correction ou du remplacement de pièces ou de produits défectueux, à l'exception des dépenses engagées sur consentement écrit préalable de JOME. **LA RESPONSABILITÉ GLOBALE DE JOME À L'ÉGARD DES PRODUITS COUVERTS PAR LA GARANTIE EST LIMITÉE À UN MONTANT ÉQUIVALENT AU PRIX D'ACHAT PAYÉ POUR LE PRODUIT EN QUESTION.**

INFORMATION SUR LE SERVICE MINN KOTA

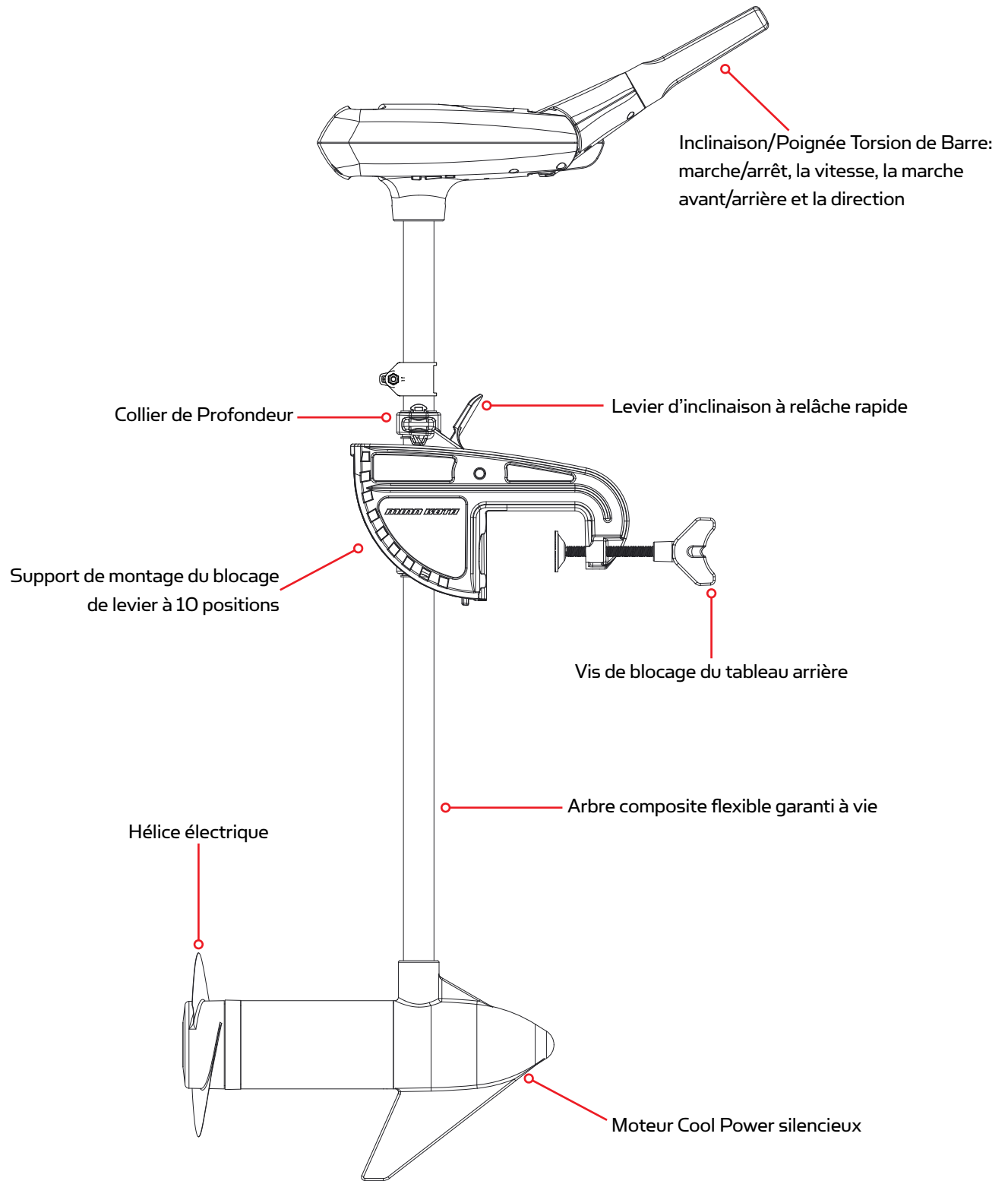
Pour obtenir le service au titre de la garantie aux États-Unis, le produit jugé défectueux et la preuve d'achat originale (comportant la date d'achat), doivent être présentés à un centre de service agréé Minn Kota ou au centre de service de l'usine de Minn Kota à Mankato, au Minnesota. Tous les frais encourus pour des appels de service, de transport ou d'expédition à destination ou à partir du centre de service agréé ou de l'usine Minn Kota, de main-d'œuvre pour transporter, retirer, réinstaller ou regréer les articles retirés pour le service de garantie, ou tout autre élément similaire, sont sous la seule et unique responsabilité unique et exclusive de l'acheteur. Les articles achetés à l'extérieur des États-Unis doivent être retournés, port payé avec la preuve d'achat (y compris la date d'achat et le numéro de série), à tout centre de service agréé Minn Kota dans le pays de l'achat. Le service au titre de la garantie peut être obtenu en communiquant avec le centre de service agréé de Minn Kota ou l'usine au +1 (800) 227-6433 ou par courriel à l'adresse suivante service@minnkotamotors.com. Les produits réparés ou remplacés seront garantis pour la durée restante de la période de garantie initiale [ou pendant 90 jours à compter de la date de réparation ou de remplacement, la période la plus longue étant retenue]. Tout produit retourné aux fins de services en vertu de la garantie qui, selon JOME, n'est pas couvert par la garantie limitée ou n'y contrevient pas sera facturé pour les services rendus au taux horaire de main-d'œuvre affiché en vigueur, pour une facturation minimale d'une heure.

REMARQUE: ne pas retourner l'article Minn Kota au détaillant. Le détaillant n'est pas autorisé à le réparer ou à le remplacer.

IL N'Y A AUCUNE GARANTIE EXPRESSE AUTRE QUE LES PRÉSENTES GARANTIES LIMITÉES. AUCUNE GARANTIE IMPLICITE, Y COMPRIS QUELQUE GARANTIE IMPLICITE DE QUALITÉ MARCHANDE OU D'ADÉQUATION À UN USAGE PARTICULIER, NE SE PROLONGERA AU-DELÀ DE LA DURÉE DE LA PRÉSENTE GARANTIE LIMITÉE EXPRESSE. JOME NE POURRA EN AUCUNE FAÇON ÊTRE TENUE RESPONSABLE DES DOMMAGES PUNITIFS, INDIRECTS, ACCESSOIRES, CONSÉCUTIFS OU PARTICULIERS. Sans limiter la portée de ce qui précède, JOME décline toute responsabilité en cas de perte d'utilisation du produit, perte de temps, d'inconvénient et d'autre dommage.

Certains états ne permettent pas de limites sur la durée d'une garantie implicite ou l'exclusion ou limitation des dommages accessoires ou indirects, donc, les limitations ou exclusions ci-dessus peuvent ne pas s'appliquer à vous. La présente garantie vous donne des droits légaux spécifiques et vous pouvez également bénéficier d'autres droits qui varient d'un État à l'autre.

CARACTÉRISTIQUES



Les spécifications sont sujettes à changement sans préavis.

INSTALLATION

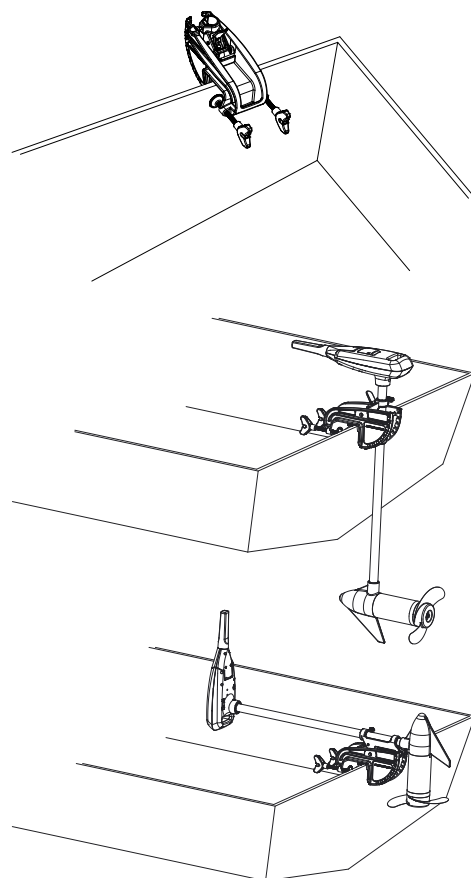
INSTALLATION DU MOTEUR

1. Trouver une zone du tableau arrière du bateau qui est bien dégagée.
2. Ouvrir suffisamment les vis de blocage du support pour assurer sa position au-dessus du tableau arrière du bateau.
3. Placer le support de montage du blocage de levier au-dessus du tableau arrière de sorte que le support repose sur le tableau arrière.
4. Vérifier qu'il n'y a pas d'obstacles pouvant nuire à l'utilisation de la boîte de commande, de la poignée ou de l'hélice, qui pourraient limiter l'angle de braquage de la direction ou endommager le moteur.
5. Serrer les vis de blocage pour fixer le tableau arrière, à la main seulement. N'utiliser aucun outil pour serrer les vis de blocage, ce qui risquerait d'endommager le support ou votre bateau.
6. Nous recommandons que l'angle d'inclinaison du moteur soit réglé de sorte que l'arbre du moteur soit perpendiculaire à la surface de l'eau lorsque le moteur est en fonction.
7. Lors du transport, toujours basculer le moteur dans le bateau, afin que l'ensemble formé du moteur et de l'hélice soit entièrement sorti de l'eau.

REMARQUE: Au moment du réglage de la profondeur, s'assurer que le haut du moteur est immergé à au moins 12 po (30,5 cm) afin d'éviter de brasser ou d'agiter l'eau à la surface. L'hélice doit être complètement submergée.

ATTENTION:

- **Ne jamais utiliser le moteur lorsqu'il est hors de l'eau.**
- **Le serrage excessif des vis de blocage peut endommager le support.**



INSTALLATION DES BATTERIES ET DU CÂBLAGE

GRÉEMENT DE L'EMBARCATION ET INSTALLATION DU PRODUIT

Pour des raisons de sécurité et de conformité, nous vous recommandons de suivre les normes du conseil américain sur les embarcations et les yachts (ABYC) pour le gréement de l'embarcation. Les altérations dans le câblage de l'embarcation devraient être complétées par un technicien de marine qualifié. Les spécifications suivantes sont seulement des lignes directrices générales:

MISE EN GARDE!: ces lignes directrices s'appliquent au gréement général pour soutenir le moteur de Minn Kota. L'alimentation de multiples moteurs ou d'autres appareils électriques, à partir du même circuit d'alimentation, peut influencer sur le gabarit de conducteurs et le dimensionnement des disjoncteurs recommandé. Pour un fil plus long que celui fourni avec l'appareil, suivre le tableau de dimensionnement de gabarit des conducteurs et des disjoncteurs du tableau ci-dessous. Si la longueur totale de la rallonge est de plus de 25 pi (7,60 m), nous vous recommandons de communiquer avec un technicien maritime qualifié.

Un dispositif de protection contre la surintensité (disjoncteur ou fusible) doit être utilisé. Les préalables de la garde côtière exigent que chaque conducteur de courant, qui n'est pas fixé, soit protégé par un fusible ou un disjoncteur qui se réinitialise manuellement et qui ne peut se déclencher automatiquement. Le dimensionnement du type (courant et tension de puissance nominale) de fusible ou de disjoncteur doit être choisi en fonction du propulseur électrique utilisé. Le tableau ci-dessous donne les lignes directrices recommandées pour ce qui est du dimensionnement des disjoncteurs.

Référence :

Le code des règlements fédéraux des États-Unis : article 183 du titre 33 du CFR - Embarcations et équipements associés ABYC E-11 : systèmes électriques CA et CC sur les embarcations.

TABLEAU DES DIMENSIONS DE GABARIT DES CONDUCTEURS ET DISJONCTEURS

Modèle / poussée du moteur	Courant Tiré Max	Disjoncteur	Longueur de la Rallonge*				
			1.5 mètres	3 mètres	4.5 mètres	6 mètres	7.5 mètres
30 lb.	30	50 Amp @ 12 VDC	5 mm	5 mm	8 mm	13 mm	21 mm
40 lb., 45 lb.	42		5 mm	8 mm	13 mm	21 mm	21 mm
50 lb., 55 lb.	50	60 Amp @ 12 VDC	8 mm	13 mm	21 mm	21 mm	33 mm
70 lb.	42	50 Amp @ 24 VDC	5 mm	5 mm	8 mm	8 mm	13 mm
80 lb.	56	60 Amp @ 24 VDC	8 mm	8 mm	8 mm	13 mm	13 mm
101 lb.	46	50 Amp @ 36 VDC	8 mm	8 mm	8 mm	8 mm	8 mm
Engine Mount 101	50	60 Amp @ 36 VDC	8 mm	13 mm	21 mm	21 mm	33 mm
112 lb.	52	60 Amp @ 36 VDC	8 mm	8 mm	8 mm	8 mm	8 mm
Engine Mount 160	116	(2) x 60 Amp @ 24 VDC	33 mm	33 mm	33 mm	33 mm	33 mm
E-Drive	40	50 Amp @ 48 VDC	5 mm	5 mm	5 mm	5 mm	5 mm

Le présent tableau des dimensions de gabarit des conducteurs et disjoncteurs est uniquement valable pour les hypothèses suivantes:

1. Il n'y a pas plus de 3 conducteurs qui sont regroupés à l'intérieur d'une gaine ou d'un conduit à l'extérieur de l'espace moteur.
2. Chaque conducteur est muni d'un isolant d'une température nominale de 105 °C.
3. Aucune chute de tension de plus de 5 % n'est autorisée lorsque le moteur est à plein régime, en fonction des exigences en matière d'alimentation du produit qui ont été publiées.

***La longueur de la rallonge fait référence à la distance séparant les batteries des fils du propulseur électrique.**

SÉLECTIONNER UNE BATTERIE ADÉQUATE

Le moteur fonctionnera avec toute batterie marine plomb/acide à décharge profonde de 12 volts. Pour un meilleur résultat, utiliser une batterie marine à décharge profonde avec ampérage nominal d'au moins 105 ampères/heure. Selon une estimation générale effectuée sur l'eau, votre moteur de 12 volts utilisera un ampère par heure et votre moteur de 24 volts, 0,75 ampère par heure, pour chaque coup de poussée produite lorsque le moteur tourne à plein régime. L'ampérage réel utilisé est en fonction des conditions environnementales spécifiques et des exigences de fonctionnement. Maintenir la batterie complètement chargée. Un entretien adéquat fera en sorte que le courant sera disponible le moment venu et améliorer considérablement la durée de vie de la batterie. Le fait de ne pas recharger les batteries au plomb (dans les 12 à 24 heures) est la principale cause de défaillance prématurée de celles-ci. Utiliser un chargeur à taux variable afin d'éviter une surcharge. Nous offrons une vaste sélection de chargeurs en fonction de vos besoins. Si vous utilisez une batterie à manivelle pour démarrer un moteur hors-bord à essence, nous vous recommandons d'utiliser des batteries marines à décharge profonde séparées pour votre propulseur électrique Minn Kota.

Conseils concernant les batteries :

- ne jamais brancher les bornes (+) et (-) de la batterie ensemble. S'assurer qu'aucun objet métallique ne puisse tomber sur la batterie et provoquer un court-circuit aux bornes. Cela provoquerait immédiatement un court-circuit et un risque extrême d'incendie.
- Il est fortement recommandé d'utiliser un disjoncteur ou un fusible avec ce propulseur électrique. Consulter le « Tableau des dimensions de gabarit des conducteurs et disjoncteurs » dans la section précédente pour trouver le disjoncteur ou fusible approprié convenant à votre moteur. Pour les moteurs nécessitant un disjoncteur de 60-A, le disjoncteur Minn Kota MKR-19 60-A est recommandé.

COMMENT RACCORDER LA BATTERIE

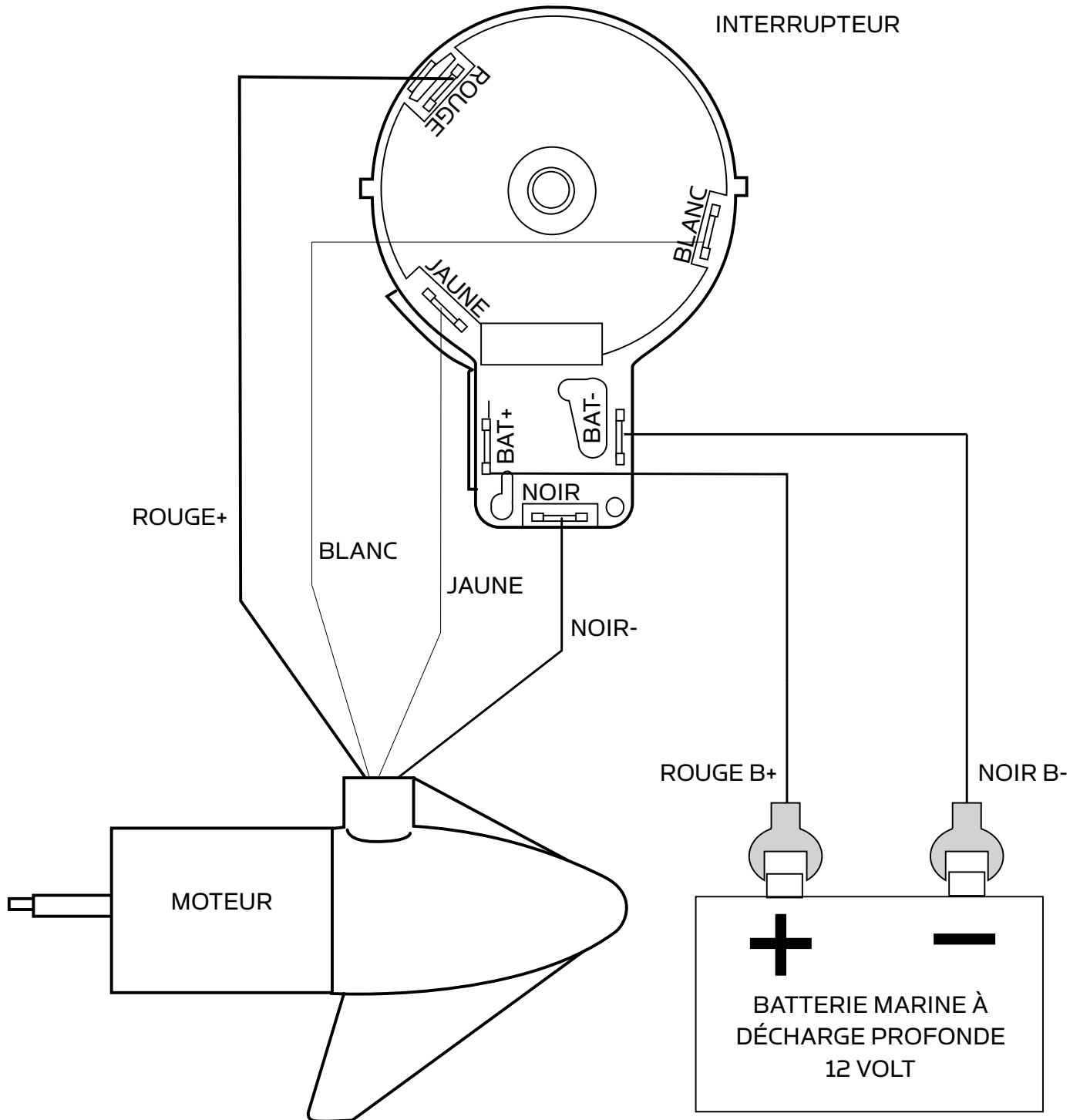
SYSTÈMES DE 12 VOLTS:

1. S'assurer que le moteur est coupé (sélecteur de vitesse sur « 0 »).
2. Raccorder le fil rouge positif (+) à la borne positive (+) de la batterie.
3. Raccorder le fil noir négatif (-) à la borne négative (-) de la batterie.
4. Pour des raisons de sécurité, ne pas allumer le moteur jusqu'à ce que l'hélice soit dans l'eau.

MISE EN GARDE

Pour des raisons de sécurité, débrancher le moteur des batteries lorsque le moteur n'est pas utilisé ou pendant la charge.

SCHÉMA DE CÂBLAGE DU MOTEUR



UTILISATION ET RÉGLAGE DU MOTEUR

RÉGLAGE DE LA PROFONDEUR DU MOTEUR

Au moment du réglage de la profondeur, s'assurer que le dessus du moteur est immergé à au moins 12 po (30,5 cm) afin d'éviter de faire tourbillonner ou d'agiter l'eau à la surface. L'hélice doit être complètement submergée.

1. Empoigner fermement l'arbre composite et le garder stable.
2. Desserrer le bouton de tension de la direction et le bouton du collier de profondeur jusqu'à ce que l'arbre glisse librement.
3. Remonter ou abaisser le moteur à la profondeur désirée.
4. Serrer le bouton de réglage de profondeur afin de fixer solidement le moteur.

MISE EN GARDE:

- **Ne jamais utiliser le moteur hors de l'eau.**
- **Le serrage excessif des vis de serrage risque d'endommager le support.**

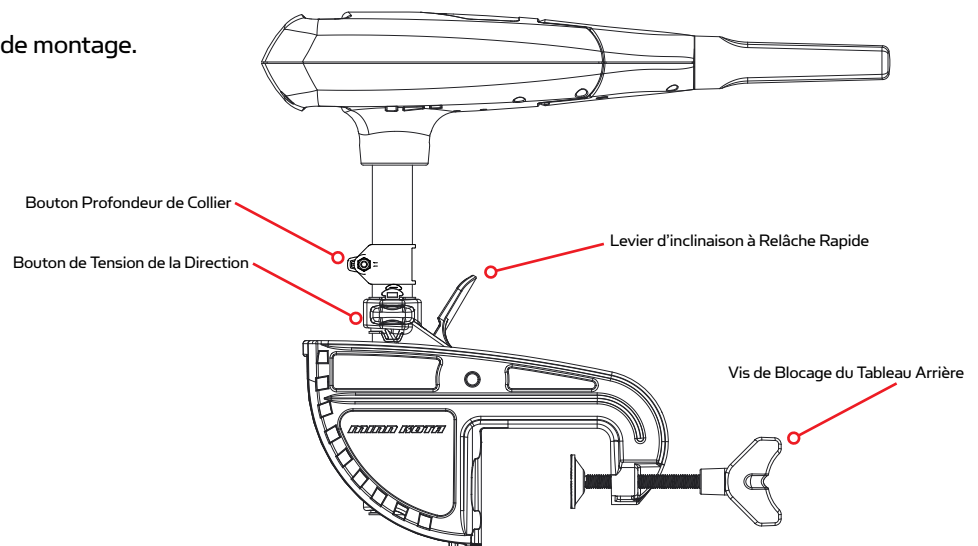
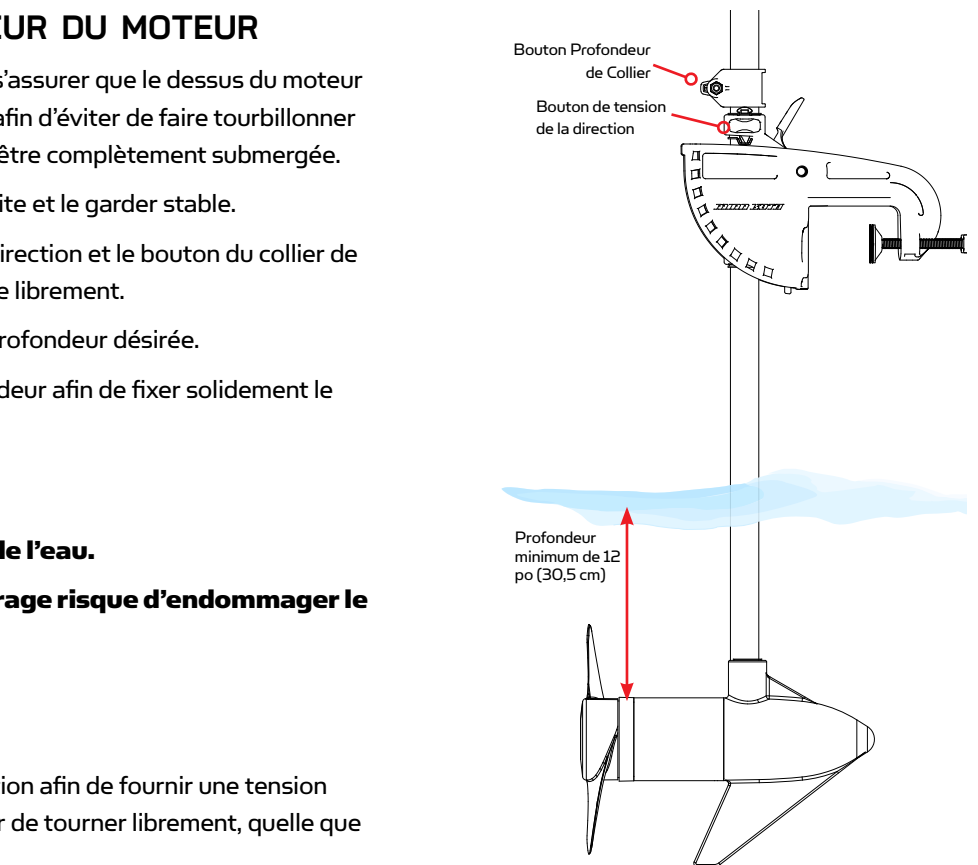
RÉGLAGE DE LA DIRECTION

- Régler le bouton de tension de la direction afin de fournir une tension suffisante visant à permettre au moteur de tourner librement, quelle que soit sa position sans rupture, ou
- Serrer le bouton pour mettre le moteur dans une position prédéfinie et avoir les mains libres pour la pêche.

RÉGLAGE DU SUPPORT

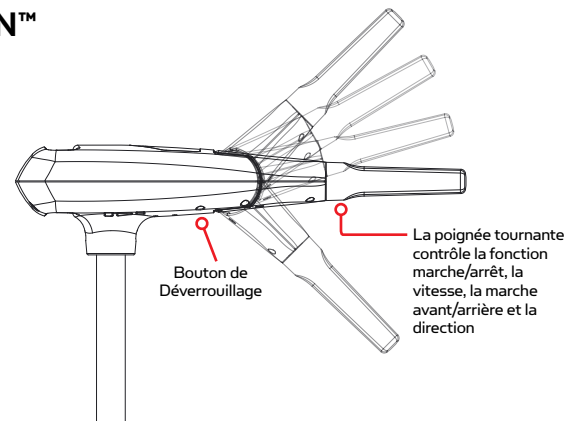
Le moteur peut être fixé à la verticale, incliné en eaux peu profondes ou complètement incliné hors de l'eau.

1. Saisir fermement la tête de commande ou l'arbre composite.
2. Appuyer sur le levier d'inclinaison en direction de l'arbre et le maintenir pour libérer le cran d'arrêt ou la barre en T afin de régler la position du support de montage.
3. Incliner à toute position sur le support de montage.
4. Relâcher le levier d'inclinaison.



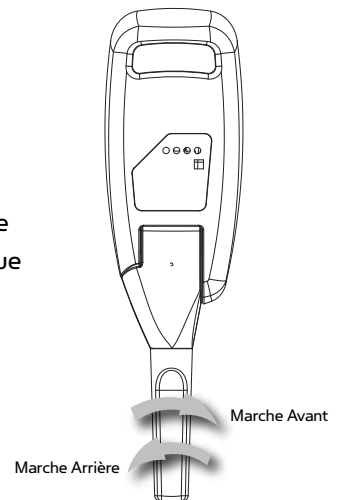
RÉGLAGE DU BARRE DE TORSION ET D'INCLINAISON™

La poignée tournante de la barre est livrée en position basse. Tirez fermement la poignée jusqu'à ce qu'elle soit en position horizontale. Il y a cinq positions possibles pour la poignée : soit 45° vers le bas, à l'horizontale, 15°, 30° et 45° inclinée vers le haut. La poignée se verrouille en position horizontale, mais peut être inclinée vers le bas en appuyant sur le bouton de déverrouillage situé sur la partie inférieure à gauche du pivot de la poignée.



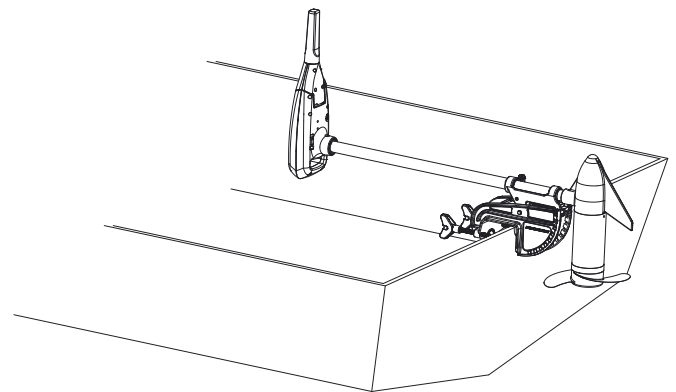
BARRE DE TORSION ET D'INCLINAISON

Ce moteur offre un choix de cinq vitesses en marche avant et de trois vitesses en marche arrière. Le contrôle de vitesse s'opère dans les deux sens, en marche avant ou arrière. Tournez la poignée de la barre de torsion et d'inclinaison en sens antihoraire de O (arrêt), afin d'augmenter la vitesse en marche arrière, et en sens horaire de O (arrêt) afin d'augmenter la vitesse en marche avant. La poussée diminue à mesure que vous approchez de O dans les deux sens.



ARRIMAGE DU MOTEUR

1. Régler la profondeur afin de soulever entièrement le moteur.
2. Appuyer en continu sur le levier d'inclinaison.
3. Basculer le moteur dans le bateau.
4. Lors du transport, toujours basculer le moteur dans le bateau afin que l'ensemble formé du moteur et de l'hélice soit entièrement sorti de l'eau et que le moteur soit placé près du support de blocage du niveau.



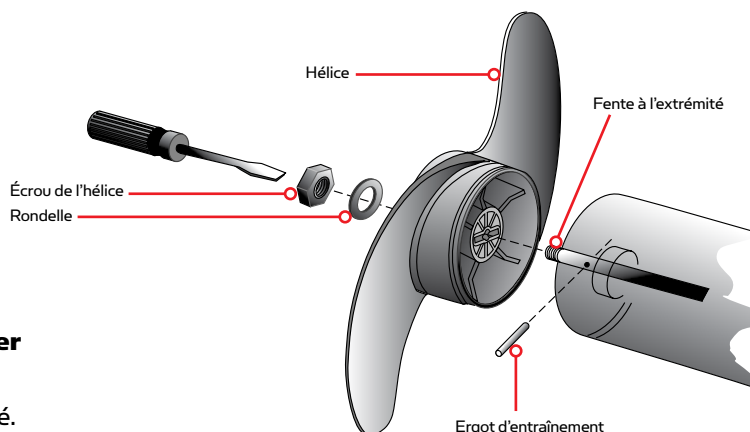
AVERTISSEMENT : Au moment de remonter ou d'abaisser le moteur, garder les doigts loin des charnières et des points de pivot et de toute pièce mobile.

SERVICE ET ENTRETIEN

REPLACEMENT DE L'HÉLICE

OUTILS ET RESSOURCES NÉCESSAIRES:

- Clé à oeil
 - 12.5mm pour les moteurs à £ 70 ou moins poussée.
 - 14.2875 mm pour les moteurs à poussée £ 80 ou plus.
- Tournevis (facultatif)



MISE EN GARDE:

Débrancher le moteur de la batterie avant d'effectuer tout travail ou entretien sur l'hélice.

NOTE: L'hélice sur votre moteur peut différer de celui illustré.

1. Débrancher le moteur de toute source d'alimentation avant de changer l'hélice.
2. Tenir l'hélice, puis desserrer l'écrou de l'hélice à l'aide d'une pince ou d'une clé.
3. Retirer l'écrou et la rondelle de l'hélice. Si l'ergot d'entraînement est cisailé ou cassé, tenir l'arbre stable à l'aide d'une lame de tournevis enfoncée dans la fente à l'extrémité de l'arbre.
4. Tourner la vieille hélice à l'horizontale (comme illustré), puis la retirer à la verticale. Si l'ergot d'entraînement tombe, le repousser à l'intérieur.
5. Aligner la nouvelle hélice avec l'ergot d'entraînement.
6. Installer la rondelle et l'écrou de l'hélice.
7. Serrer l'écrou de l'hélice 1/4 de tour de plus que le serrage initial [25 à 35 lb/po, 2,8 à 4 J]. Ne pas trop serrer, car cela peut endommager l'hélice.

ENTRETIEN GÉNÉRAL

1. Après utilisation, le moteur en entier devrait être rincé avec de l'eau douce, puis essuyé avec un chiffon humidifié avec un spray de silicone à base aqueuse. Cette série de moteurs n'est pas équipée pour être exposée à l'eau salée.
2. L'hélice doit être inspectée et les algues et lignes de pêche ôtées, toutes les 20 heures de fonctionnement. Les lignes de pêche et les algues peuvent se retrouver derrière l'hélice, endommager les joints et permettre à l'eau d'entrer dans le moteur.
3. Chaque fois que le moteur est utilisé, assurez-vous que l'écrou de l'hélice est bien serré.
4. Afin de prévenir les dommages accidentels, lors du transport ou de l'entreposage, débranchez la batterie lorsque le moteur est hors de l'eau. Pour un entreposage prolongé, enduisez légèrement toutes les parties métalliques avec un protecteur à base de silicone aqueux.
5. Pour profiter de la durée de vie maximale de la batterie, rechargez la ou les batteries dès que possible après utilisation. Pour une performance maximale du moteur, rechargez la batterie complètement avant de l'utiliser.
6. Gardez les bornes de la batterie propres à l'aide de papier sablé fin ou de toile d'émeri.
7. L'hélice est conçue pour fonctionner en repoussant les algues avec un niveau d'efficacité très élevé. Pour maintenir ce haut rendement, la pointe des lames doit être gardée lisse. Si elles sont rugueuses ou ébréchées dues au fait de l'utilisation, rendez-les lisses de nouveau à l'aide de papier sablé fin.

DÉPANNAGE ET RÉPARATION

1. Le moteur ne tourne pas ou manque de puissance:
 - Vérifier si la polarité des raccordements de batterie a été respectée.
 - S'assurer que les bornes sont propres et exemptes de corrosion. Garder les bornes de la batterie propres à l'aide d'un papier de verre fin ou d'une toile d'émeri.
 - Vérifier le niveau d'eau de la batterie. Ajouter de l'eau, le cas échéant.
2. Le moteur baisse en puissance peu après son démarrage:
 - Vérifier la charge de la batterie. Si le niveau est bas, la remettre à pleine charge.
3. Le moteur est difficile à diriger:
 - Desserrer le bouton de tension de pilotage sur le support.
 - Lubrifier l'arbre composite.
4. Si l'hélice vibre en cours de fonctionnement normal:
 - Retirer, puis faire pivoter l'hélice à 180°. Voir les directives pour le retrait dans la section portant sur le remplacement de l'hélice.
5. Votre sondeur fait l'objet d'interférences:
 - Dans certaines applications, de l'interférence à l'écran de l'échosondeur pourra survenir. Nous recommandons qu'une batterie marine à décharge profonde séparée soit utilisée pour votre propulseur électrique et que l'échosondeur soit alimenté à l'aide d'une batterie de démarrage/à manivelle. Si les problèmes persistent, communiquer avec le service technique au +1 (800) 227-6433.

REMARQUE: Pour tout défaut de fonctionnement, visiter un centre de service agréé. Pour un centre de service agréé dans la région, consulter la liste de nos centres de service agréés sur le site Web minnkotamotors.com ou communiquer avec notre service à la clientèle au +1 (800) 227-6433.

POUR D'AUTRES SERVICES DE DÉPANNAGE ET DE RÉPARATION

Nous offrons plusieurs options de dépannage et/ou de réparation pour le produit. Veuillez parcourir les options énumérées ci-dessous.



FOIRE AUX QUESTIONS

Notre site Web présente FAQ visant à répondre à toutes vos questions au sujet des produits Minn Kota. Veuillez visiter le site Web minnkotamotors.com, puis cliquer sur « Foire aux questions » pour trouver réponse à vos questions.



COMMUNIQUEZ AVEC NOUS (POUR LES ÉTATS-UNIS ET LE CANADA)

Nos représentants du service à la clientèle sont disponibles du lundi au vendredi, de 7 h 00 à 16 h 30 (HNC), au +1 (800) 227-6433. Pour commander des pièces, veuillez avoir sous la main le numéro de série à 11 chiffres du produit, les numéros des pièces nécessaires et les renseignements relatifs à la carte de crédit. Vous économiserez ainsi du temps pour un service à la clientèle de qualité supérieure. Vous pouvez consulter la liste de votre manuel pour obtenir les numéros exacts de pièce.



ENVOYEZ-NOUS UN COURRIEL

Envoyez-nous un courriel pour transmettre à notre service à la clientèle vos questions au sujet des produits Minn Kota. Pour transmettre votre question par courriel, visitez le site Web minnkotamotors.com, puis cliquer sur « Nous contacter ».



CENTRES DE SERVICE AGRÉÉS

On compte plus de 300 centres de service agréés Minn Kota aux États-Unis et au Canada pour acheter des pièces et faire réparer vos produits. Veuillez consulter la page Web pour la liste des centres de service agréés et trouver un centre de service dans votre région.

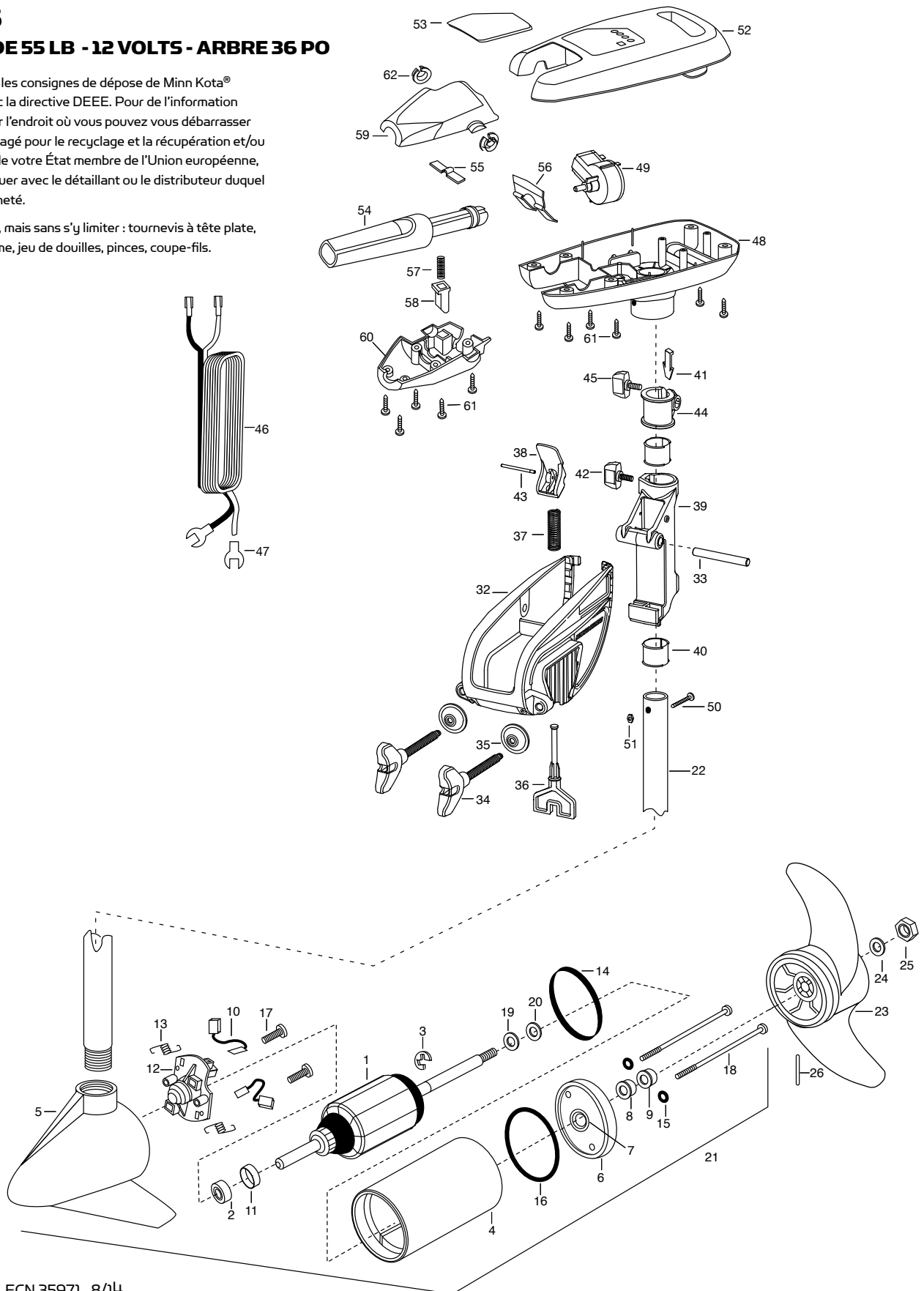
SCHÉMA DES PIÈCES

CAMO 55

POUSSÉE DE 55 LB - 12 VOLTS - ARBRE 36 PO

Cette page fournit les consignes de dépose de Minn Kota® en conformité avec la directive DEEE. Pour de l'information supplémentaire sur l'endroit où vous pouvez vous débarrasser de l'équipement usagé pour le recyclage et la récupération et/ou sur les exigences de votre État membre de l'Union européenne, veuillez communiquer avec le détaillant ou le distributeur duquel le produit a été acheté.

Outils nécessaires, mais sans s'y limiter : tournevis à tête plate, tournevis cruciforme, jeu de douilles, pinces, coupe-fils.



LISTES DES PIÈCES

CAMO 55

POUSSÉE DE 55 LB - 12 VOLTS - ARBRE 36 PO

ARTICLE	QTÉ	NUMÉRO DE PIÈCE	DESCRIPTION
1	1	2-100-117	ENSEMBLE _ ARMATURE 12 V 3,62
2	1	140-010	ROULEMENT RADIAL
3	1	788-015	ANNEAU DE RETENUE
4	1	2-200-101	ENSEMBLE BOÎTIER CENTRAL
5	1	2-300-196	ENSEMBLE EXTRÉMITÉ BISEAUTÉ DU BOÎTIER 3,62 36"
6	1	2-400-101	ENSEMBLE EXTRÉMITÉ PLAT DU BOÎTIER
7	1	144-049	PALIER APPLIQUE (SERVICE UNIQUEMENT)
8	1	880-003	JOINT
9	1	880-006	JOINT AVEC PROTECTEUR
10	2	188-036	ENSEMBLE BROSSSE
11	1	725-050	RÉTENTION DE LA BROSSSE - DOUILLE EN PAPIER
12	1	738-036	ENSEMBLE PLAQUE DE BROSSSE AVEC PORTE-BROSSSE 3,62
13	2	975-040	RESSORT DE TORSION
14	1	337-036	GARCETTE
15	2	701-008	JOINT TORIQUE
16	1	701-081	JOINT TORIQUE
17	2	830-007	VIS - #8-32
18	2	830-042	BOULON TRAVERSANT #10-32X8,83
19	1	990-067	RONDELLE - BUTÉE D'ACIER
20	2	990-070	RONDELLE - NYLATRON
21	1	2097075	ENSEMBLE MOTEUR 12V 3,62 55PC FW 36"
22	1	2067711	COMPOSITE TUBE 36 PO
■	1	1378170	ENSEMBLE HÉLICE (COMPREND 23-36)
23	1	2091170	HÉLICE ÉLECTRIQUE 3 5/8 PO (9,21 CM)
24	1	2151726	RONDELLE - 5/16 PO STD INOX
25	1	2053101	ÉCROU - BLOCAGE D'HÉLICE (M) INOX
26	1	2092600	ENTRAÎNEMENT ERGOT
■	1	2771810	ENSEMBLE CHARNIÈRE ET SUPPORT (COMPREND 30-41)
■	1	2771910	ENSEMBLE SUPPORT (COMPREND 30, 32, 33)
32	1	2061910	SUPPORT
33	1	2060510	GOUPILLE - CHARNIÈRE

ARTICLE	QTÉ	NUMÉRO DE PIÈCE	DESCRIPTION
*34	2	2061300	SCREW - CLAMP, WASHER, RETAINER KIT
*35	2	2011710	VIS - BLOCAGE
■	1	2881300	RONDELLE - VIS DE BLOCAGE
36	1	2063605	BARRE EN T - PLASTIQUE
37	1	2062706	RESSORT - BARRE EN T
38	1	2067201	LEVIER - INCLINAISON NOIR
39	1	2061810	CHARNIÈRE - PLASTIQUE
40	2	2037301	MAMELON DE RACCORDEMENT - CHARNIÈRE
41	1	2062800	BLOC DE TENSION - À ENCLIQUETAGE
42	1	2011385	VIS - TENSION
43	1	2060515	GOUPILLE - LEVIER D'INCLINAISON
44	1	2031520	COLLIER - PROFONDEUR
45	1	2011365	VIS - COLLIER/NOUVEAU BOUTON
46	1	2050609	FIL CONDUCTEUR (AVEC BORNE EMBROCHABLE CAL 10 HD)
47	2	2020702	BORNE EMBROCHABLE CAL. 10 HD
48	1	2067706	BOÎTE DE COMMANDE
49	1	2064028	COMMUTATEUR - 5 RÉGLAGES DE VITESSE DE MARCHE AVANT/ARRIÈRE
50	1	2033400	VIS - #10-24 X 1-3/4
51	1	2013110	ÉCROU - 10-24 HEX
52	1	2060284	COUVERCLE DE BOÎTE DE COMMANDE
53	1	2035621	DÉCALQUE DE COUVERCLE CAMO 55
54	1	2990918	ENSEMBLE POIGNÉE
55	1	2302742	RESSORT - DÉTENTE, ARRÊT
56	1	2302743	RESSORT - DÉTENTE, POIGNÉE
57	1	2302745	RESSORT - BOUTON DE DÉVERROUILLAGE POIGNÉE
58	1	2303720	BOUTON DE DÉVERROUILLAGE - POIGNÉE
59	1	2067708	POIGNÉE - MOITIÉ SUPÉRIEURE
60	1	2067707	POIGNÉE - MOITIÉ INFÉRIEURE
61	11	2303412	VIS - #6-20 X 5/8 SELF-TAP
62	2	2060005	PIVOT DE POIGNÉE
■	1	2888460	ENSEMBLE JOINT TORIQUE ET JOINT

■ CET ARTICLE NE FAIT PARTIE D'AUCUN ENSEMBLE.

*CET ARTICLE FAIT PARTIE D'UN ENSEMBLE ET EST SEULEMENT ÉNUMÉRÉ À DES FINS D'ILLUSTRATION.

DÉCLARATION DE CONFORMITÉ

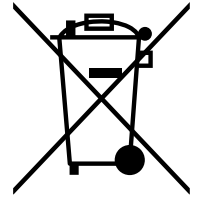
DÉCLARATION DE CONFORMITÉ ENVIRONNEMENTALE

Il est dans l'intention de JOME d'être une entreprise citoyenne responsable, dont l'exploitation est conforme à la réglementation environnementale en vigueur et qui est connue pour être un bon voisin dans les collectivités où nous fabriquons ou vendons nos produits.

DIRECTIVE DEEE:

La directive européenne 2002/96/CE « Directive concernant les déchets d'équipements électriques et électroniques (DEEE) » a un impact sur la plupart des distributeurs, vendeurs et fabricants d'électronique pour le grand public au sein de l'Union européenne. La directive DEEE exige que le producteur d'électronique pour le grand public prenne une part de responsabilité, en ce qui concerne la gestion des déchets de leurs produits, afin d'atteindre une élimination écologique, et ce, tout au long du cycle de vie du produit.

Il se peut que, selon votre emplacement, vous ne soyez pas tenu (e) de vous conformer à la directive DEEE pour ce qui est des équipements électriques et électroniques (EEE), et il se peut qu'il en soit de même pour les EEE conçus et destinés à être utilisés comme installations fixes ou temporaires dans les véhicules de transport tels que les voitures, les avions et les bateaux. Dans certains États de l'Union européenne, ces véhicules sont réputés ne pas relever de la directive, et les EEE, pour ces applications peuvent être considérés comme exclus de l'exigence de la directive DEEE.



Ce symbole (DEEE poubelle sur roues) sur le produit indique que ce dernier ne doit pas être jeté avec les déchets domestiques. Il doit être éliminé et collecté pour le recyclage et la récupération des DEEE. Johnson Outdoors Inc. marquera tous les produits EEE en conformité avec la directive DEEE. C'est notre but de nous conformer à la collecte, au traitement, à la récupération et à l'élimination écologique judicieuse de ces produits, mais ces exigences varient au sein des différents États membres de l'Union européenne. Pour de l'information supplémentaire sur l'endroit où vous pouvez éliminer les équipements usagés pour leur recyclage et leur récupération et/ou ou selon les exigences particulières de l'État membre de l'Union européenne, veuillez communiquer avec le détaillant ou le distributeur duquel vous avez acheté le produit.

ÉLIMINATION:

Les moteurs Minn Kota ne sont pas soumis à la réglementation concernant l'élimination VGE-VO (directive pour les dispositifs électriques), qui transpose la directive DEEE. Néanmoins, ne jamais jeter le moteur Minn Kota dans une poubelle, mais plutôt à l'endroit approprié où s'effectue la collecte, recommandé par le conseil municipal local.

Ne jamais jeter aucune batterie à la poubelle. Se conformer aux directives d'élimination du fabricant ou de son représentant et la jeter à l'endroit approprié où s'effectue la collecte, recommandé par le conseil municipal local.

AVERTISSEMENT: Ce produit contient des produits chimiques reconnus par l'État de la Californie comme causant le cancer, des anomalies congénitales ou d'autres effets nocifs sur la reproduction.

ACCESSOIRES RECOMMANDÉS

CHARGEURS DE BATTERIE EMBARQUÉS ET PORTATIFS

Ne plus acheter de nouvelles batteries et commencer à prendre soin de celles déjà en votre possession. Plusieurs chargeurs peuvent en fait endommager les batteries à la longue, pouvant entraîner une autonomie réduite et une durée de vie plus courte. Les chargeurs Minn Kota à commande numérique assurent une charge rapide pour une protection et une durée de vie prolongée.



MK345PC



MK210D



MK110P

ANCRE POUR EAUX PEU PROFONDES TALON

Les ancres Talon se déploient rapidement, ont une force de retenue plus élevée et sont plus silencieuses que tout autre ancre pour eaux peu profondes. Offerts en profondeurs allant jusqu'à 12 pi (3,66 m) et en options de couleurs vives, elles comportent plusieurs fonctionnalités et innovations uniques dans le domaine:



- Déploiement Vertical en Plusieurs Étapes
- Modes D'ancrage Pouvant être Sélectionnés par L'utilisateur
- 2x la Force d'ancrage
- Déploiement Rapide
- Descente/Montée Automatique
- Triple Protection Contre les Débris*
- Amortisseur Automatique de Vague Intégré
- Dissipation de Bruit
- Réglages Polyvalents

*offerts uniquement sur les modèles 10 pi et 12 pi (3 m et 3,65 m)

ACCESSOIRES MINN KOTA

Nous offrons un large éventail d'accessoires pour les propulseurs électriques, y compris:



- Un Disjoncteur de 60 A
- Des Supports de Montage
- Des Ensembles Stabilisateur
- Des Rallonges de Poignée
- Des connecteurs de batterie
- Bacs à Batterie
- Des fiches de connexion rapide

Pour la liste complète des accessoires Minn Kota, veuillez visiter le site Web minnkotamotors.com

Suivez-nous:



minnkotamotors.com

Minn Kota Consumer & Technical Service
Johnson Outdoors Marine Electronics, Inc.
PO Box 8129
Mankato, MN 56001

121 Power Drive
Mankato, MN 56001
Phone (800) 227-6433
Fax (800) 527-4464



©2014 Johnson Outdoors Marine Electronics, Inc.
All rights reserved.