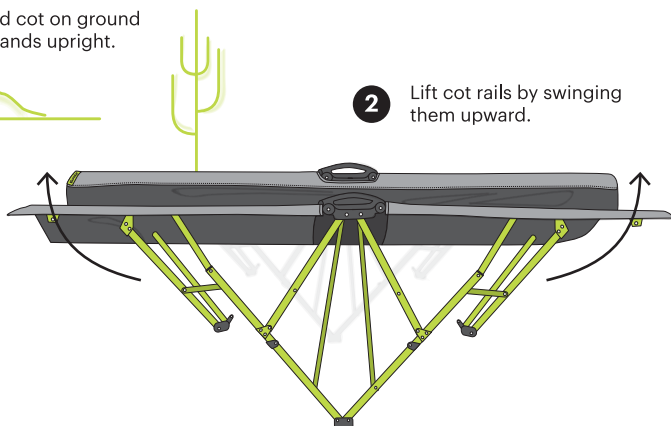
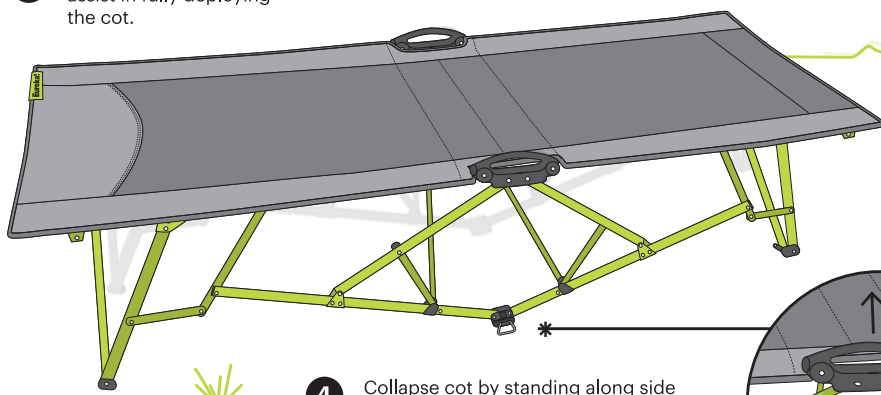


1 Place folded cot on ground so that it stands upright.

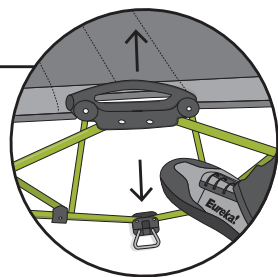


2 Lift cot rails by swinging them upward.

3 Lifting the cot rails will assist in fully deploying the cot.



4 Collapse cot by standing along side of the cot rail. Place foot on silver foot anchor and pull upward on the rail handle to collapse the cot.



QUESTIONS?

Johnson Outdoors Gear, Inc.
USA: 1-800-572-8822
www.eurekacamping.com

Johnson Outdoors Canada
Canada: 1-800-263-6390
www.eurekatentscanada.com

FURNITURE CARE

- Weight limit: 300lbs
- Keep away from open flame
- Use on level ground
- Use caution to avoid injuring fingers when opening/closing

WARRANTY

- Your Eureka! furniture is covered by a one year warranty. For more details please visit the website or contact customer service.