

SIDE IMAGING® TRANSDUCER Installation Guide

It is important to read the instructions in this transducer guide completely to understand the mounting guidelines before starting the installation.

NOTE: Due to the wide variety of hulls, only general instructions are presented in this installation guide. Each boat hull represents a unique set of requirements that should be evaluated prior to installation. For detailed information about installing transducers on different hull types, download the Transducer Installation Resource Guide from our Web site at humminbird.com.

NOTE: Your transducer may not look exactly like the transducer shown in the illustrations, but it will mount in exactly the same way.

INSTALLATION PREPARATION

Install the control head before you start the transducer installation. See the control head installation guide.

Review your boat manufacturer's owner's manual for recommended transducer installation locations and cable routing methods. You will also need your transom angle.

Read and understand your boat's warranty before starting this installation.

Visit our Web site at humminbird.com for additional information and resources for transducer installations. Also, visit youtube.com/humminbirdtv for informational videos.

Confirm your boat is level for the installation.

Installation Options: If you cannot find a transom mount location that will work for your high-speed application, a different mounting technique or transducer type should be considered. Visit our Web site at humminbird.com to download instructions.

Supplies: In addition to the hardware supplied with your transducer, you will need a powered hand drill and various drill bits, various hand tools, including a ruler or measuring tape, level, pen or pencil, safety glasses and dust mask, and marine-grade silicone sealant.

Technical Support: If you find that any items are missing from your installation kit, contact Humminbird Technical Support through our Help Center at <https://humminbird-help.johnsonoutdoors.com/hc/en-us> or visit our Web site at humminbird.com.

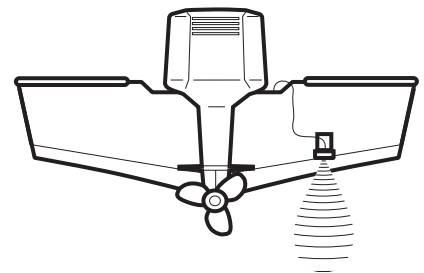
INSTALLATION

There are a number of ways to install a transducer on your boat. The transom mount installation provides the least loss of signal since the transducer is mounted outside the boat hull. This installation also allows adjustment of both running angle and depth after the transducer is mounted, which enables you to tune the installation for best results. Also, the mounting hardware is designed to pivot the transducer body out of the way should the boat strike debris in the water, or when trailering.

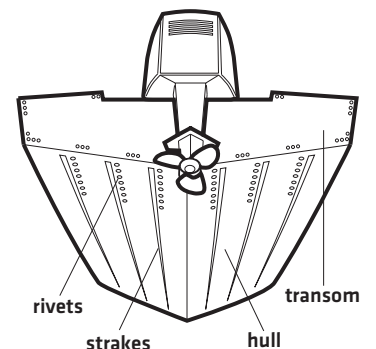
1 | Locate the Transducer Mounting Position

Turbulence: You must first determine the best location on the transom to install the transducer. It is very important to locate the transducer in an area which is relatively free of turbulent water. Consider the following to find the best location with the least amount of turbulence:

Transom Mounted Transducer



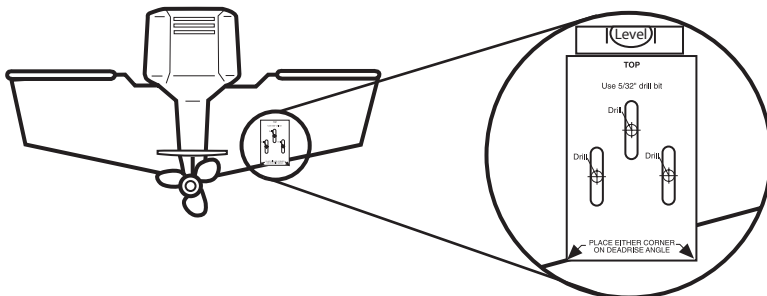
Areas of Possible Turbulence




SIDE IMAGING® TRANSDUCER Installation Guide

531390-2_A

- As the boat moves through the water, turbulence is generated by the weight of the boat and the thrust of the propeller[s] - either clockwise or counter-clockwise. This turbulent water is normally confined to areas immediately aft of ribs, strakes or rows of rivets on the bottom of the boat, and in the immediate area of the propeller[s]. Clockwise propellers create more turbulence on the port side. On outboard or inboard/outboard boats, it is best to locate the transducer at least 15" to the side of the propeller[s].
- The best way to locate turbulence-free water is to view the transom while the boat is moving. This method is recommended if maximum high-speed operation is a high priority. If this is not possible, select a location on the transom where the hull forward of this location is smooth, flat and free of protrusions or ribs.
- On boats with stepped hulls, it may be possible to mount the transducer on the step. Do not mount the transducer on the transom behind a step to avoid popping the transducer out of the water at higher speeds. The transducer must remain in the water for the control head to maintain the sonar signal.
- If the transom is behind the propeller[s], it may be impossible to find an area clear from turbulence, and a different mounting technique or transducer type should be considered. See the FAQ [Frequently Asked Questions] section of our Web site at humminbird.com or contact Humminbird Technical Support through our Help Center at <https://humminbird-help.johnsonoutdoors.com/hc/en-us>.
- If you plan to trailer your boat, do not mount the transducer too close to trailer bunks or rollers to avoid moving or damaging the transducer during loading and unloading of the boat.




Find a turbulence-free location at least 15" from the propeller[s] and not in line with trailer bunks or rollers.

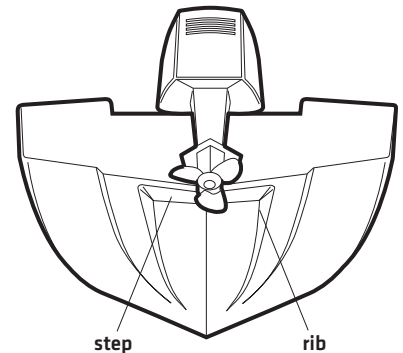
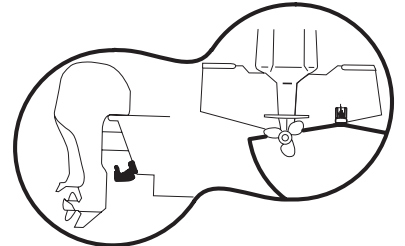
 **NOTE:** The hydrodynamic shape of your transducer allows it to point straight down without deadrise adjustment.

Side Imaging: The Side Imaging transducer has some special requirements because of its side viewing capabilities:

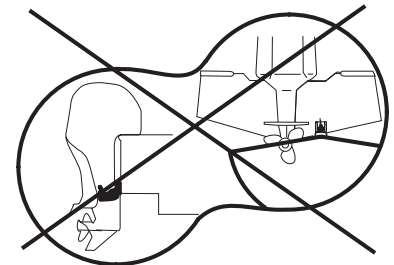
- The Side Imaging transducer must NOT have anything obstructing the 'view' of the side looking beams; for example, nothing can be in the line of sight of these beams (not a hull, motor, or other transducer, etc.)

 **NOTE:** You may need to tilt the motor up and out of the way when using the side looking beams.

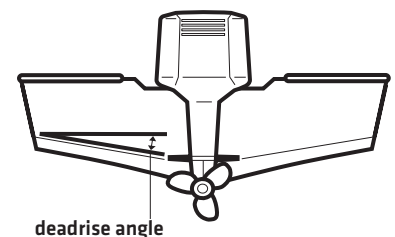
- In order for the side beams to be displayed accurately, the transducer must be mounted parallel with the waterline. This positioning allows the beam elements to point straight down without deadrise adjustment (see the illustration *Deadrise*).

Stepped Hull

Transducer Mount Position


Unobstructed View: The jack plate gives the transducer safe distance from the motor and turbulence. The Side Imaging has a clear view side-to-side.



Obstructed View: The transducer is too close to motor turbulence, and the Side Imaging view is blocked by the motor. The view cannot extend from side-to-side.

Deadrise


2 | Mounting the Bracket

In this procedure you will mount the bracket, using the mounting template provided as a guide. This template allows you to mark where the mounting holes should be drilled.

1. Cut out the transducer mounting template from this sheet. Match the mounting bracket screw slots to the template screw slots.
2. Hold the template on the transom of the boat in the location you have selected. Align the template vertically, matching the lower edge of the transom with the bottom corner of the template.

NOTE: If your propeller moves clockwise as the boat moves forward (as you're facing the stern of the boat from behind), mount the transducer on the starboard side, and use the bottom left corner of the template. If your propeller moves counter-clockwise as the boat moves forward (as you're facing the stern of the boat from behind), mount the transducer on the port side, and use the bottom right corner of the template

3. Continue to hold the template on the transom of the boat, and use a pencil or punch to mark where to drill the three mounting holes shown on the template.
4. Using a 5/32" bit, drill the three holes only to a depth of approximately 1".

NOTE: On fiberglass hulls, it is best to use progressively larger drill bits to reduce the chance of chipping or flaking the outer coating.

5. Use a marine-grade silicone sealant to fill the drilled holes, especially if the holes penetrated the transom wall.
6. Align the metal mounting bracket with the mounting holes. The center slot of your mounting bracket should be above the two outer slots. This bracket and all other hardware supplied is top quality stainless steel for maximum strength and corrosion protection. Insert the three 1" flat head wood screws into the drilled holes, but do not completely tighten.

3 | Assembling the Transducer

In this procedure you will attach the pivot to the transducer using the hardware provided.

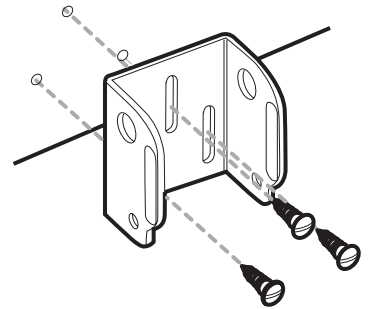
1. Attach the pivot to the transducer body as shown in the illustration using the square nuts, toothed washers, and two 1/4-20 x 5/8" machine screws. The square nuts will be prevented from rotating by the pocket in the back of the pivot. The toothed washers must fit on the inside of the transducer ears, between the pivot and the ears.

NOTE: An Allen wrench is provided which fits all of the 1/4-20 screws, but do not fully tighten the screws at this time.

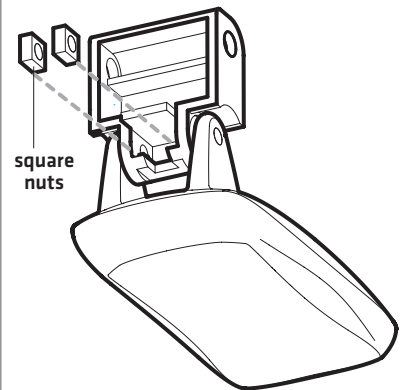
4 | Attaching the Transducer to the Bracket

1. Slide the assembled transducer into the metal bracket from the bottom, aligning the large hole at the top of the bracket with the hole in the pivot.
2. Insert the headed pin through the pivot holes in the bracket and pivot. The headed pin can be inserted from either side of the bracket.
3. Place the nylon washer over the opposite end of the headed pin. Place the stainless washer over the 1/4-20 x 5/8" screw threads, then insert into the opposite end of the headed pin and finger tighten only. The screw has a thread locking compound on the threads to prevent loosening, and should NOT be fully tightened until all adjustments are made.

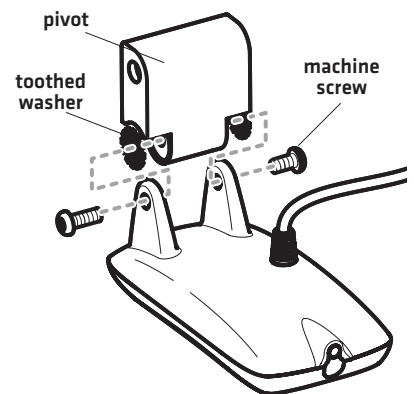
Attaching the Bracket



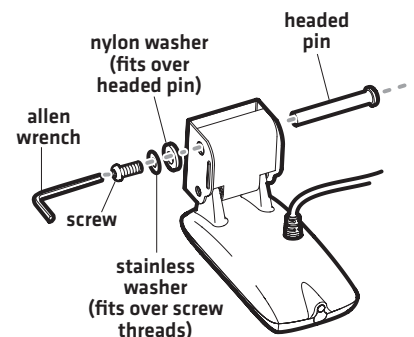
Inserting the Square Nuts



Attaching the Pivot




Attaching the Transducer to the Bracket




5 | Running Position Adjustment

The running position of the transducer is now completely adjustable. Subsequent adjustment may be necessary to tweak the installation after high speed testing. The mounting bracket allows height and tilt adjustment; the pivot screws allow angle adjustment.

 **NOTE:** Side Imaging is best performed at boat speeds from 2 to 6 mph. If the boat is stationary, the same information is displayed over and over. If the boat is moving too quickly, there will be gaps between the strips of information. The best boat speed to use will depend on the side range selected. Slower speeds are good for longer ranges, while faster speeds can be used at shorter ranges.


1. Adjust the angle of the transducer body first, so it is parallel with the hull of the boat, and fully tighten the two pivot screws using the supplied Allen wrench. Access to the pivot screws is provided by the lower holes in the side of the mounting bracket.
2. Next, adjust the height of the assembly so the face of the transducer is 1/8" to 1/4" beneath the bottom of the transom, and fully tighten the three mounting screws. In order to gain access to the mounting screws, the transducer assembly must be pivoted up into the bracket as shown.

 **CAUTION!** Be careful not to alter the running angle, as some force is necessary to pivot the assembly.


3. If access to the top mounting hole is not possible due to the selected height of the transducer, fully tighten the two lower screws. Remove the headed pivot pin and the transducer assembly, tighten the top screw, and then reassemble.
4. Confirm that the pivot angle has not changed and that all mounting screws are fully tightened.


6 | Routing the Cable


The transducer cable has a low profile connector which must be routed to the point where the control head is mounted. There are several ways to route the transducer cable to the area where the control head is installed. The most common procedure routes the cable through the transom into the boat.

 **NOTE:** Your boat may have a pre-existing wiring channel or conduit that you can use for the transducer cable.

1. Unplug the other end of the transducer cable from the control head. Make sure that the cable is long enough to accommodate the planned route by running the cable over the transom.

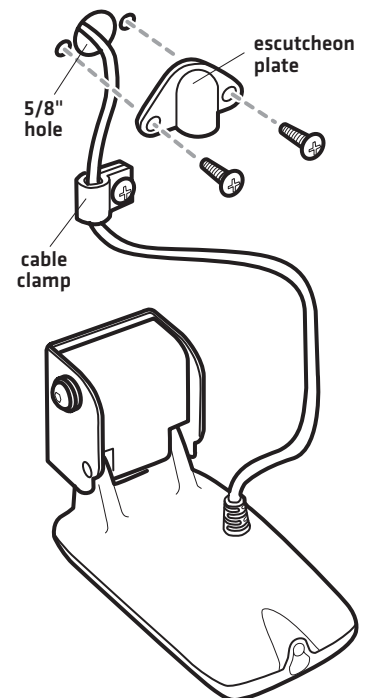
 **CAUTION!** Do not cut or shorten the transducer cable, and try not to damage the cable insulation. Route the cable as far as possible from any VHF radio antenna cables or tachometer cables to reduce the possibility of interference. If the cable is too short, extension cables are available to extend the transducer cable up to a total of 50'. For assistance, contact Humminbird Technical Support.

 **CAUTION!** Do NOT mount the cables where the connectors could be submerged in water or flooded. If cables are installed in a splash-prone area, it may be helpful to apply dielectric grease to the inside of the connectors to prevent corrosion. Dielectric grease can be purchased separately from a general hardware or automotive store.

 **NOTE:** The transducer can pivot up to 90 degrees in the bracket. Allow enough slack in the cable for this movement. It is best to route the cable to the side of the transducer so the transducer will not damage the cable during movement.

2. If you are routing the cable over the transom of the boat, secure the cable by attaching the cable clamp to the transom, drilling 9/64" diameter holes for #8 x 5/8" wood screw[s], go directly to procedure 7, Connecting the Cable.

Routing the Cable



OR

If you will be routing the cable through a hole in the transom, drill a 5/8" diameter hole above the waterline. Route the cable through this hole, then fill the hole with marine-grade silicone sealant and proceed to the next step immediately.

- Place the escutcheon plate over the cable hole and use it as a guide to mark the two escutcheon plate mounting holes. Remove the plate, drill two 9/64" diameter x 5/8" deep holes, and then fill both holes with marine-grade silicone sealant. Place the escutcheon plate over the cable hole and attach with two #8 x 5/8" wood screws. **Hand tighten only!**
- Route and secure the cable by attaching the cable clamp to the transom. Drill one 9/64" diameter x 5/8" deep hole, then fill the hole with marine-grade silicone sealant, then attach the cable clamp using a #8 x 5/8" screw. **Hand tighten only!**




NOTE: If there is excess cable that needs to be gathered at one location, dress the cable routed from both directions so that a single loop is left extending from the storage location. Doubling the cable up from this point, form the cable into a coil. Storing excess cable using this method can reduce electronic interference.

7 | Connecting the Cable

- Insert the transducer cable into the appropriate terminal slot. The cable connectors are labeled, and there are corresponding labels on the cable holder on the rear of the fishfinder. The slots are keyed to prevent reversed installation, so be careful not to force the connector into the holder.

8 | Test and Finish the Installation

Once you have installed both the control head and the transom transducer, and have routed all the cables, you must perform a final test before locking the transducer in place. Testing should be performed with the boat in water deeper than 2 feet.

 **CAUTION!** The transducer must be fully submerged in water during operation because the sonar signal cannot pass through air. Air pinging can damage the transducer.

- Press the POWER key to turn on the control head.
If the transducer is detected, the control head will start Normal mode.
- Select a Sonar View to display on-screen.
HELIX®: Press and hold the VIEW key. Select Sonar > Sonar View.
APEX™/SOLIX®: Press the HOME key. Select a Sonar View.
Other: See your control head operations manual.
- If the bottom is visible on-screen with a digital readout for Depth, the unit is working properly. Gradually increase the boat speed to test high-speed performance. If the unit functions well at low speeds, but begins to skip or miss the bottom at higher speeds, the transducer requires adjustment.
- If you have the correct angle set on the transducer, yet lose a bottom reading at high speed, adjust the transducer to a lower depth in the water. If you reach the top of the screw slots and continue to lack high speed performance, increase the angle of the transducer by lowering the back of the transducer in increments of 1/8".



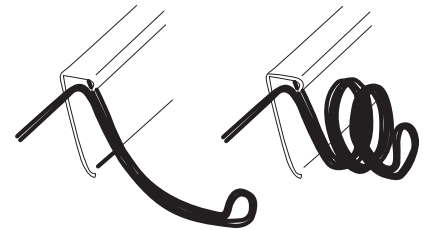
NOTE: It is often necessary to make several incremental transducer adjustments before optimum high speed performance is achieved. Due to the wide variety of boat hulls, however, it is not always possible to obtain high speed depth readings.



NOTE: The deeper the transducer is in the water, the more likely that a rooster tail of spray will be generated at high speeds, so make sure that the transducer is as high as it can be and still be submerged in the water.


- Once you have reached a consistently good sonar signal at the desired speeds, fully tighten your assembly to lock it into place.

Storing Excess Cable



MAINTENANCE

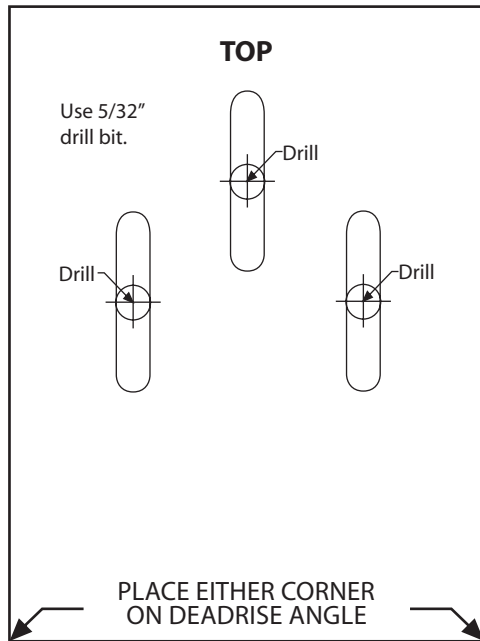
If your transducer remains in the water for long periods of time, slush, algae and other marine growth can reduce the effectiveness of the transducer. Periodically clean the face of the transducer with a mild, marine-safe and plastic-safe soap or solution.

 **NOTE:** To clean the transducer, you may need to pivot the transducer up in the bracket.

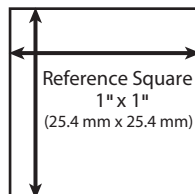
If your transducer remains out of the water for a long period of time, it may take some time to wet the transducer after it is returned to the water. Small air bubbles can cling to the surface of the transducer and interfere with proper operation. These bubbles will dissipate with time, or you may wipe the face of the transducer with your fingers after the transducer is in the water.

MOUNTING TEMPLATE

Remove and Use for Transducer Installation




If you are reproducing or printing this template from an electronic file, adjust the enlargement or reproduction value in the page setup window to 100%. Measure the reference square with a ruler and adjust your reproduction setting [%] to produce a print so that the square measures 1" x 1" or 25.4 mm x 25.4 mm.





Contact Humminbird


Contact Humminbird Technical Support through our Help Center at <https://humminbird-help.johnsonoutdoors.com/hc/en-us> or by writing to the address below:


Humminbird Service Department
678 Humminbird Lane
Eufaula, AL 36027 USA

 **WARNING!** This device should not be used as a navigational aid to prevent collision, grounding, boat damage, or personal injury. When the boat is moving, water depth may change too quickly to allow time for you to react. Always operate the boat at very slow speeds if you suspect shallow water or submerged objects.

 **WARNING!** Disassembly and repair of this electronic unit should only be performed by authorized service personnel. Any modification of the serial number or attempt to repair the original equipment or accessories by unauthorized individuals will void the warranty.

 **WARNING!** The transducer must be fully submerged in water during operation because the sonar signal cannot pass through air. Air pinging can damage the transducer.


 **NOTE:** Download Humminbird installation guides and operations manuals from our Web site at humminbird.com.

 **NOTE:** Product specifications and features are subject to change without notice.

ENVIRONMENTAL COMPLIANCE STATEMENT: It is the intention of Johnson Outdoors Marine Electronics, Inc. to be a responsible corporate citizen, operating in compliance with known and applicable environmental regulations, and a good neighbor in the communities where we make or sell our products.

WEEE DIRECTIVE: EU Directive 2002/96/EC "Waste of Electrical and Electronic Equipment Directive (WEEE)" impacts most distributors, sellers, and manufacturers of consumer electronics in the European Union. The WEEE Directive requires the producer of consumer electronics to take responsibility for the management of waste from their products to achieve environmentally responsible disposal during the product life cycle.

WEEE compliance may not be required in your location for electrical & electronic equipment [EEE], nor may it be required for EEE designed and intended as fixed or temporary installation in transportation vehicles such as automobiles, aircraft, and boats. In some European Union member states, these vehicles are considered outside of the scope of the Directive, and EEE for those applications can be considered excluded from the WEEE Directive requirement.

 This symbol [WEEE wheelie bin] on product indicates the product must not be disposed of with other household refuse. It must be disposed of and collected for recycling and recovery of waste EEE.

Johnson Outdoors Marine Electronics, Inc. will mark all EEE products in accordance with the WEEE Directive. It is our goal to comply in the collection, treatment, recovery, and environmentally sound disposal of those products; however, these requirements do vary within European Union member states. For more information about where you should dispose of your waste equipment for recycling and recovery and/or your European Union member state requirements, please contact your dealer or distributor from which your product was purchased.

Lisez les instructions dans ce guide de transducteur complètement à comprendre les directives de montage avant de commencer l'installation.

REMARQUE : En raison de la grande variété de coques, nous ne présentons dans cette notice que des directives d'installation générales. Chaque bateau présente des exigences particulières qu'il faut évaluer avant l'installation. Pour obtenir des informations détaillées sur l'installation de transducteurs sur différents types de coque, téléchargez le Guide des ressources d'installation des transducteurs à partir de notre site Web à l'adresse humminbird.com.

REMARQUE : L'apparence de votre transducteur peut être différente de celle des transducteurs illustrés. Le montage est toutefois exactement le même.

PRÉPARATION DE L'INSTALLATION

Installez la tête de commande avant de commencer l'installation du transducteur. Voir le guide d'installation de la tête de commande.

Consultez le manuel d'utilisation du fabricant de votre bateau pour connaître les emplacements d'installation des transducteurs recommandés et les méthodes d'acheminement des câbles.

Lisez et comprenez la garantie de votre bateau avant de commencer cette installation.

Visitez notre site Web à humminbird.com pour plus d'informations et de ressources sur les installations de transducteurs. Visitez également [youtube.com/humminbirdtv](https://www.youtube.com/humminbirdtv) pour des vidéos d'information.

Confirmez que votre bateau est à niveau pour l'installation.

Possibilités d'installation : Si vous n'arrivez pas à trouver un emplacement de montage approprié pour le fonctionnement à grande vitesse, il serait souhaitable d'envisager une méthode de montage différente ou un autre type de transducteur. Téléchargez le Guide des ressources d'installation des transducteurs à partir de notre site Web à l'adresse humminbird.com.

Matériel : En plus du matériel fourni, vous aurez besoin d'une perceuse électrique et de forets, ainsi que de divers outils à main, dont une règle ou règle d'ajusteur, un niveau, un marqueur ou crayon, des lunettes de sécurité, un masque antipoussières, et un agent d'étanchéité à base de silicone de qualité marine.

Support Technique : Si vous découvrez que des articles sont manquants dans votre trousse d'installation, contactez le support technique Humminbird via notre centre d'aide à l'adresse <https://humminbirdhelp.johnsonoutdoors.com/hc/en-us> ou visitez notre site Web à humminbird.com.

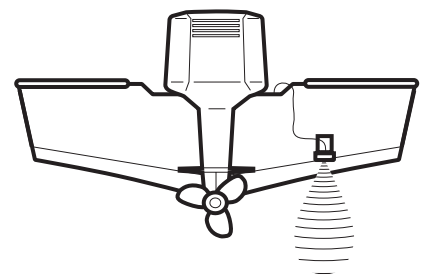
INSTALLATION

Plusieurs méthodes peuvent être utilisées pour l'installation d'un transducteur sur votre bateau. L'installation sur le tableau arrière offre une très faible perte de signal car le transducteur est monté à l'extérieur de la coque du bateau. Cette installation permet l'ajustement de l'angle de marche et de la profondeur une fois le transducteur monté, ce qui vous permet d'ajuster l'installation pour obtenir de meilleurs résultats. De plus, les accessoires de montage sont conçus pour permettre le pivotement du transducteur si le bateau rencontre des débris dans l'eau et en cas de remorquage.

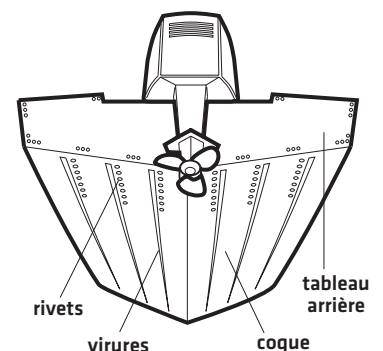
1 | Détermination de la position de montage du transducteur

Turbulence : Déterminez en premier lieu le meilleur emplacement pour installer le transducteur sur le tableau arrière. Il est très important de positionner le transducteur à un endroit relativement libre de turbulences. Tenez compte des facteurs suivants pour déterminer l'emplacement où il y aura le moins de turbulences :

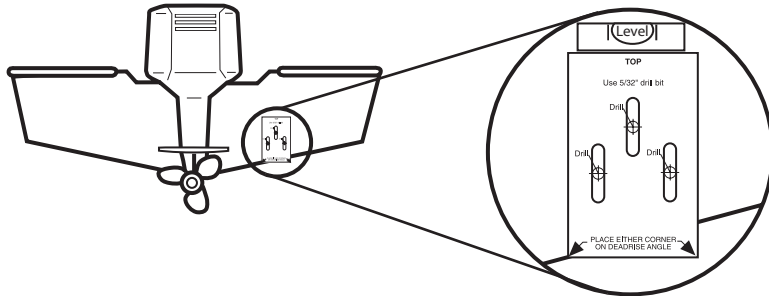
Transducteur monté sur tableau



Zones de turbulences possibles



- Au fur et à mesure que le bateau se déplace dans l'eau, des turbulences sont générées par le poids du bateau et la poussée de l'hélice, dans le sens des aiguilles d'une montre ou dans le sens inverse. Turbulences se limitent normalement aux zones situées directement à l'arrière des membrures, virures ou rangées de rivets sous le bateau et dans la zone immédiate de l'hélice (des hélices). Les hélices à rotation horaire créent plus de turbulences à bâbord. Sur les bateaux munis d'un moteur horsbord ou semi-hors-bord, il vaut mieux placer le transducteur à une distance d'au moins 380 mm [15 po] à côté de l'hélice (des hélices).
- La meilleure façon de localiser un emplacement libre de turbulences est de regarder le tableau arrière lorsque le bateau se déplace. Nous recommandons cette méthode si le fonctionnement optimal à haute vitesse est une haute priorité. Si cela n'est pas possible, choisissez une position sur le tableau arrière où la coque devant cet emplacement est lisse, plate et libre de protubérances ou de membrures.
- Sur les bateaux ayant une coque à décrochement, il est possible de monter le transducteur sur le décrochement. Ne montez pas le transducteur sur le tableau arrière, derrière un décrochement, sinon le transducteur pourrait émerger de l'eau à haute vitesse. Le transducteur doit rester dans l'eau pour que la tête de commande puisse maintenir le signal sonar.
- Si le tableau arrière est situé derrière l'hélice (ou les hélices), il pourrait ne pas y avoir de zone sans turbulences et une technique de montage différente ou un autre type de transducteur devrait être envisagé. Consultez la section FAQ (Foire aux questions) de notre site Web à l'adresse humminbird.com ou contactez le support technique Humminbird via notre centre d'aide à l'adresse <https://humminbirdhelp.johnsonoutdoors.com/hc/en-us>.
- Si vous envisagez de remorquer votre bateau, ne montez pas le transducteur trop près des couchettes ou des rouleaux de la remorque pour éviter de déplacer ou d'endommager le transducteur pendant le chargement et le déchargement du bateau.



Trouvez une zone libre de turbulences située à au moins 38 cm [15 po] de l'hélice (des hélices), qui ne se trouve pas en ligne avec les patins ou les galets de la remorque.

REMARQUE : La forme hydrodynamique du transducteur lui permet de pointer directement vers le bas, sans qu'il soit nécessaire de régler l'angle de relevé de varangue.

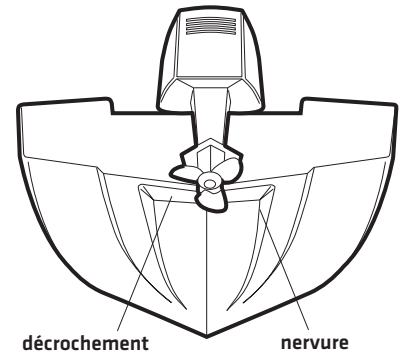
Imagerie latérale : Le transducteur à imagerie latérale doit répondre à certaines exigences en raison de ses capacités de sondage latérales :

- Il ne doit y avoir AUCUN obstacle obstruant les faisceaux latéraux, c'est-à-dire que rien ne doit se trouver dans le champ d'action de ces faisceaux (pas de coque, moteur, autre transducteur, etc.).

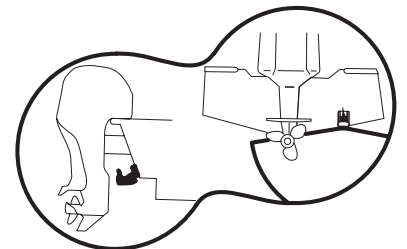
REMARQUE : Vous pourriez avoir à incliner le moteur vers le haut et hors du champ d'action des faisceaux latéraux lorsque vous les utilisez.

- Afin que les retours des faisceaux latéraux soient affichés correctement, le transducteur doit être monté parallèlement à la ligne de flottaison. Ce positionnement permet aux composants du faisceau de pointer directement vers le bas, sans qu'il soit nécessaire de régler l'angle de relevé de varangue (voir l'illustration **Relevé de varangue**).

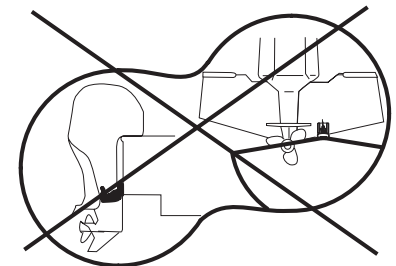
Coque à décrochement



Emplacement montage du transducteur

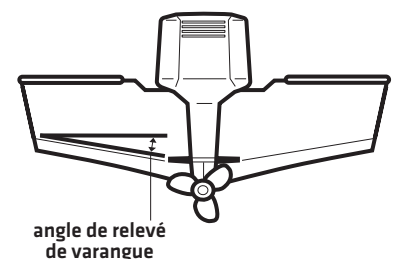


Vue dégagée : La plaque de la prise donne au transducteur une distance sécurisée loin du moteur et de ses turbulences. L'imagerie latérale dispose d'une vue dégagée d'un côté à l'autre.



Vue obstruée : Le transducteur est trop proche des turbulences du moteur, et la vue d'imagerie latérale est bloquée par celui-ci. La vue n'est pas dégagée d'un côté à l'autre.

Relevé de varangue



2 | Montage du support

Cette procédure explique comment installer le support avec l'aide du gabarit de montage inclus. Ce gabarit permet de marquer l'emplacement de perforation des trous de montage.

1. Découpez le gabarit de montage de transducteur sur cette feuille. Faites correspondre les fentes de vis du support de montage avec les fentes de vis du gabarit.
2. Maintenez le gabarit contre le tableau arrière du bateau à l'endroit que vous avez déterminé. Placez le gabarit à la verticale, en alignant le bord inférieur du tableau arrière au coin inférieur du gabarit.

REMARQUE : Si l'hélice tourne dans le sens horaire lorsque le bateau avance (lorsque vous êtes face à l'arrière du bateau par derrière) montez le transducteur à tribord et utilisez le coin inférieur gauche du gabarit. Si l'hélice tourne dans le sens antihoraire lorsque le bateau avance (lorsque vous êtes face à l'arrière du bateau par derrière), montez le transducteur à bâbord et utilisez le coin inférieur droit du gabarit.

3. Tenez le gabarit sur le tableau arrière du bateau, puis avec un crayon ou un poinçon, marquez l'emplacement de perforation des trois trous de montage indiqués sur le gabarit.
4. À l'aide d'un foret de 4 mm [5/32 po], percez les trois trous seulement à une profondeur approximative de 25 mm [1 po].

REMARQUE : Pour les coques en fibre de verre, il vaut mieux commencer avec un foret d'un diamètre plus petit et utiliser des forets d'un diamètre plus grand par la suite, afin de réduire les chances d'écailler le revêtement extérieur.

5. Remplissez les trois trous de montage d'un agent d'étanchéité à base de silicone de qualité marine, surtout si les trous traversent le tableau arrière.
6. Alignez le support de montage métallique avec les trous de montage. La fente du centre du support de montage doit être au-dessus des deux autres fentes extérieures. Ce support, ainsi que toute la quincaillerie fournie, est en acier inoxydable de haute qualité, pour assurer une résistance et une protection contre la corrosion maximales. Placez les trois vis à bois à tête plate de 25 mm [1 po] dans les trous percés, mais ne les serrez pas complètement.

3 | Assemblage du transducteur

Cette procédure explique comment fixer le pivot sur le transducteur avec les accessoires de montage fournis.

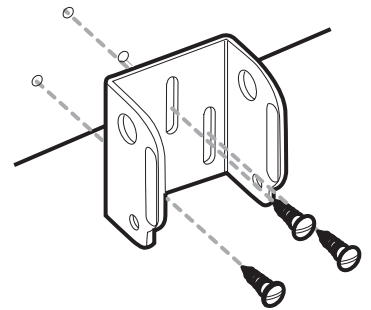
1. Fixez le pivot au corps du transducteur conformément aux illustrations, à l'aide des deux vis mécaniques 1/4-20 x 5/8 po [16 mm], de rondelles dentelées et d'écrous à quatre pans. La rotation des écrous à quatre pans est contrée par la cavité à l'arrière du pivot. Les rondelles dentelées doivent être insérées à l'intérieur des oreilles du transducteur, entre le pivot et les oreilles.

REMARQUE : Une clé hexagonale de la taille appropriée pour toutes les vis 1/4-20 a été fournie, mais ne serrez pas complètement les vis pour l'instant.

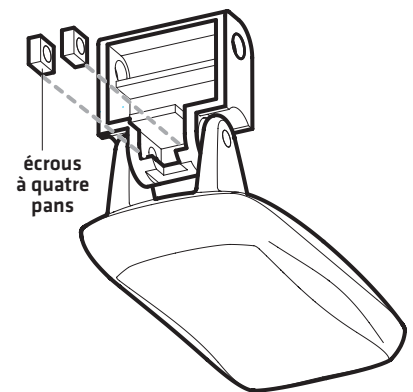
4 | Installation du transducteur sur le support

1. Placez l'ensemble transducteur dans le support métallique, à partir du bas, puis alignez le grand trou au haut du support avec le trou du pivot.
2. Insérez la goupille à tête dans les trous de pivot du support et du pivot. Vous pouvez insérer la goupille à tête d'un côté ou de l'autre du support.
3. Placez la rondelle de nylon sur l'extrémité opposée de la goupille à tête. Placez la rondelle en acier inoxydable sur les filets de la vis 1/4-20 x 5/8 po [16 mm], puis insérez dans l'extrémité opposée de la goupille à tête et serrez à la main seulement. La vis est enduite d'un adhésif frein-filet pour éviter qu'elle ne se desserre; vous NE devriez PAS la serrer complètement avant que les réglages fins ne soient terminés.

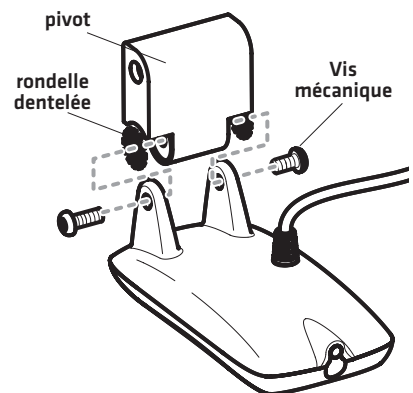
Fixation du support



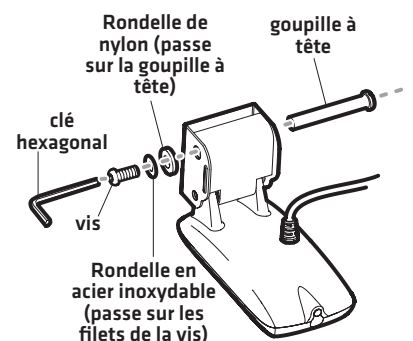
Insertion des écrous à quatre pans



Fixation du pivot



Installation du transducteur sur le support



5 | Réglage de la position de marche

La position de marche du transducteur est maintenant complètement réglable. Il se pourrait que vous deviez effectuer des réglages supplémentaires pour rendre l'installation plus précise après les essais à haute vitesse. Le support de montage permet de régler la hauteur et l'inclinaison, alors que les vis de pivot permettent de régler l'angle.

REMARQUE : Le sonar à imagerie latérale convient mieux aux vitesses de bateau comprises entre 2 et 6 mi / h. Si le bateau est stationnaire, la même information est affichée de façon répétée. Si le bateau se déplace très rapidement, il y aura des vides entre les bandes de données. La meilleure vitesse dépend de la portée latérale sélectionnée. Les vitesses plus lentes conviennent aux portées plus longues et les vitesses plus rapides, aux portées plus courtes.

1. Premièrement, ajustez l'angle de pivot du corps du transducteur de façon à ce qu'il soit parallèle à la coque du bateau et serrez complètement les deux vis de pivot avec la clé hexagonale fournie. Vous pouvez accéder aux boulons pivots par les trous inférieurs pratiqués dans le côté du support de montage.
2. Ensuite, réglez la hauteur de l'ensemble de façon à ce que le devant du transducteur soit situé de 3 mm [1/8 po] à 6 mm [1/4 po] sous la partie inférieure du tableau arrière, puis serrez à fond les trois vis de montage. Afin d'accéder aux vis de montage, vous devez faire pivoter l'assemblage de transducteur dans le support vers le haut, comme c'est illustré.

MISE EN GARDE ! Prenez garde de ne pas modifier l'angle de marche, étant donné qu'il faut forcer quelque peu pour faire pivoter l'ensemble.

3. Si vous ne pouvez avoir accès par le trou de montage du haut en raison de la hauteur sélectionnée pour le transducteur, serrez à fond les deux vis du bas. Retirez ensuite le boulon pivot et l'ensemble transducteur, serrez la vis du haut, puis remontez le tout.
4. Assurez-vous que l'angle du pivot n'a pas été modifié et que toutes les vis de montage sont serrées à fond.

6 | Acheminer le câble

Le câble du transducteur est muni d'un connecteur compact, qui doit être acheminé au point de montage de la tête de commande. Il y a plusieurs moyens d'acheminer le câble du transducteur à l'endroit où est installée la tête de commande. La procédure la plus courante consiste à acheminer le câble dans le bateau en le passant à travers le tableau arrière.

REMARQUE : Il se peut que votre bateau soit déjà muni d'une canalisation ou conduite de câblage, que vous pourriez utiliser pour acheminer le câble du transducteur.

1. Débranchez l'autre extrémité du câble du transducteur de la tête de commande. Assurez-vous que le câble est assez long pour le cheminement proposé en le passant par-dessus le tableau arrière.

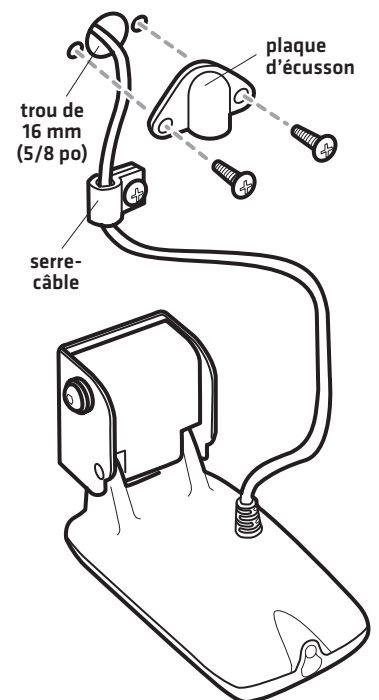
MISE EN GARDE ! Ne coupez pas le câble du transducteur pour le raccourcir et essayez de ne pas endommager le revêtement isolateur du câble. Gardez le câble le plus à l'écart possible de tout câble d'antenne de radio VHF ou de câble de tachymètre, afin de limiter les possibilités d'interférence. Si le câble du transducteur est trop court, vous pouvez vous procurer des rallonges pour le prolonger jusqu'à une longueur totale de 15 m [50 pi]. Pour obtenir de l'aide, contactez le support technique Humminbird.

MISE EN GARDE ! Ne montez PAS les câbles dans un endroit où les connecteurs pourraient être submergés. Si les câbles sont installés dans une zone où des éclaboussures sont possibles, il est préférable d'appliquer de la graisse diélectrique sur l'intérieur des connecteurs pour éviter la corrosion. Vous pouvez acheter la graisse diélectrique séparément dans une quincaillerie ou un magasin d'équipement automobile.

REMARQUE : Le transducteur peut pivoter d'un angle maximal de 90 degrés sur le support. Laissez assez de mou dans le câble pour accommoder ce mouvement. Il vaut mieux acheminer le câble à côté du transducteur afin que le transducteur ne l'endommage pas lors du déplacement du bateau.

2. Si vous acheminez le câble par-dessus le tableau arrière du bateau, attachez-le avec un serre-câble que vous fixez au tableau arrière à l'aide de vis à bois n° 8 x 16 mm [5/8 po], après avoir percé des trous de 3,6 mm [9/64 po] de diamètre. Passez ensuite directement à l'étape 7, Branchement du câble.

Acheminement du câble



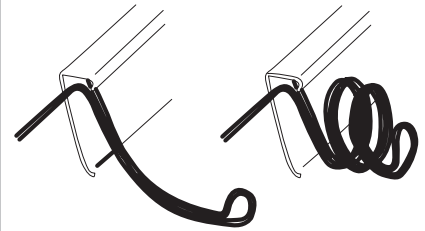
OU

Si vous avez décidé de passer le câble à travers le tableau arrière, percez un trou de 16 mm [5/8 po] de diamètre au-dessus de la ligne de flottaison. Passez le câble dans ce trou, puis remplissez le trou d'un agent d'étanchéité à base de silicone de qualité marine et passez immédiatement à la prochaine étape.

- Placez la plaque d'écusson sur le trou du câble et utilisez-la comme guide pour marquer les deux trous de montage de plaque d'écusson. Retirez la plaque. Percez deux trous de 3,5 mm de diam. x 16 mm de prof. [9/64 po de diam. x 5/8 po de prof.], puis remplissez-les d'un agent d'étanchéité à base de silicone de qualité marine. Placez la plaque d'écusson au-dessus du trou du câble et fixez-la à l'aide de deux vis à bois n° 8 x 5/8 po [16 mm]. **Serrez la vis à la main seulement!**
- Acheminez le câble et attachez-le avec le serre-câble au tableau arrière. Percez un trou de 3,6 mm [9/64 po] de diamètre x 16 mm [5/8 po] de profondeur, remplissez-le d'un agent d'étanchéité à base de silicone de qualité marine, puis fixez le serre-câble à l'aide d'une vis n° 8 x 16 mm [5/8 po]. **Serrez la vis à la main seulement!**



REMARQUE : Si le câble est un peu long et que vous devez ranger l'excédent quelque part, placez le câble que vous aurez tiré des deux directions de façon à ne former qu'une seule boucle. Doublez le câble à partir de ce point et enroulez-le en spirale. Le fait de ranger l'excès de câble de cette manière peut contribuer à réduire les interférences électroniques.

Rangement du câble excédentaire**7 | Branchement du câble**

- Insérez le câble du transducteur dans la borne de raccordement appropriée. Les connecteurs de câble sont identifiés et il existe des étiquettes correspondantes sur le socle de connecteur situé à l'arrière de la tête de commande. Le connecteur est claveté afin de prévenir une installation inversée. L'insertion devrait être aisée. Ne forcez pas les connecteurs dans les ports.

8 | Essais et fin de l'installation

Lorsque vous avez terminé l'installation de la tête de commande et du transducteur et que vous avez acheminé tous les câbles, vous devez effectuer des essais avant de bloquer le transducteur en position. Essais doivent être effectués bateau dans les eaux profondes de 60 cm [2 pi] ou plus.



AVERTISSEMENT ! Le transducteur doit être complètement submergé dans l'eau pendant le fonctionnement car le signal du sonar ne peut pas traverser l'air. Un cliquetis d'air peut endommager le transducteur.

- Appuyez sur la touche Mise en marche [POWER] une fois pour mettre la tête de commande en marche. Le tête de commande active le mode de fonctionnement normal si un transducteur est détecté.
- Sélectionnez une vue sonar à afficher à l'écran.

HELIX : Appuyez sur la touche AFFICHAGE et tenez-la enfoncée. Sélectionnez Sonar > Vue sonar.

APEX/SOLIX : Appuyez sur la touche Accueil. Sélectionnez une vue sonar.

Autre : Consultez le guide d'utilisation de votre tête de commande.

- Si le fond et un indicateur numérique de la profondeur sont visibles à l'écran, c'est que l'appareil fonctionne adéquatement.

Si l'appareil fonctionne correctement, augmentez progressivement la vitesse du bateau pour tester le rendement à grande vitesse. Si l'appareil fonctionne adéquatement à basse vitesse mais que la représentation du fond devient erratique à vitesse plus élevée, il faut ajuster la position du transducteur.

- Si vous avez réglé le transducteur au bon angle mais que les lectures sont intermittentes à grande vitesse, placez le transducteur plus profondément dans l'eau. Si vous avez atteint le bout de la rainure pour la vis et qu'il y a toujours des manques à grande vitesse, augmentez l'angle du transducteur en abaissant l'arrière du transducteur en incréments de 4 mm [1/8 po].



REMARQUE : Il est souvent nécessaire d'effectuer plusieurs réglages incrémentaux du transducteur avant d'obtenir le meilleur rendement à grande vitesse. Toutefois, en raison de la grande variété de coques de bateaux, il n'est pas toujours possible d'obtenir de bonnes lectures du fond à grande vitesse.



REMARQUE : Plus le transducteur est submergé profondément dans l'eau, plus grande est la probabilité qu'il laisse un sillage important à grande vitesse. Assurez-vous que le transducteur se situe aussi haut que possible, tout en restant submergé, pour réduire cet effet.

- Lorsque vous aurez réussi à obtenir régulièrement de bons retours sonar aux vitesses désirées, serrez complètement l'assemblage pour le verrouiller en place.

MAINTENANCE

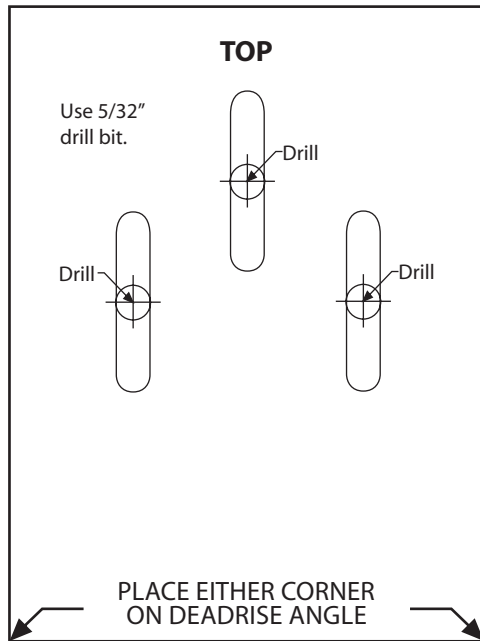
Si le transducteur demeure à l'eau pendant de longues périodes, les alissures peuvent réduire l'efficacité du transducteur. Nettoyez périodiquement la façade du transducteur avec un savon ou liquide doux et sans danger pour le plastique et pour le milieu biologique marin.

REMARQUE : Pour nettoyer le transducteur, il se peut que vous ayez à le faire pivoter vers le haut dans le support.

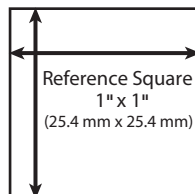
Si le transducteur est sorti de l'eau pendant une période prolongée, il faut le laisser reposer un certain temps après l'avoir remis dans l'eau. De petites bulles d'air peuvent adhérer à la surface du transducteur et gêner son fonctionnement. Ces bulles se dissipent avec le temps; vous pouvez également essuyer la surface du transducteur avec les doigts après l'avoir remis dans l'eau.

CHÂSSIS DE MONTAGE

Découpez et utilisez ce gabarit pour l'installation du transducteur



Si vous reproduisez ou imprimez ce modèle à partir d'un fichier électronique, réglez la valeur d'agrandissement ou de reproduction dans la fenêtre de mise en page sur 100 %. Mesurez le carré de référence avec une règle et ajustez votre paramètre de reproduction [%] pour produire une impression de sorte que le carré mesure 1" x 1" ou 25,4 mm x 25,4 mm.



Pour communiquer avec Humminbird

Contactez le support technique Humminbird via notre centre d'aide à l'adresse <https://humminbird-help.johnsonoutdoors.com/hc/en-us> ou en écrivant à l'adresse ci-dessous :

Humminbird Service Department
678 Humminbird Lane
Eufaula, AL 36027 USA

AVERTISSEMENT ! Cet appareil ne devrait en aucun cas être utilisé comme instrument de navigation afin de prévenir les collisions, l'échouage, les dommages au bateau ou les blessures aux passagers. Lorsque le bateau est en mouvement, la profondeur de l'eau peut varier trop rapidement pour vous laisser le temps de réagir. Avancez toujours très lentement si vous soupçonnez la présence de basfonds ou d'obstacles submergés.

AVERTISSEMENT ! La réparation et/ou le démontage de cet appareil électronique doit être effectué uniquement par un personnel d'entretien autorisé. Toute modification du numéro de série et/ou réparation par un personnel non autorisé entraînera l'annulation de la garantie.

AVERTISSEMENT ! Le transducteur doit être complètement submergé dans l'eau pendant le fonctionnement car le signal du sonar ne peut pas traverser l'air. Un cliquetis d'air peut endommager le transducteur.


REMARQUE : Les guides d'utilisation et d'installation sont téléchargeables sur notre site Web à l'adresse humminbird.com.

REMARQUE : Les caractéristiques et spécifications de ce produit peuvent être modifiées sans préavis.

DÉCLARATION DE CONFORMITÉ AVEC L'ENVIRONNEMENT : Johnson Outdoors Marine Electronics, Inc. entend agir en de façon responsable, et respecter la réglementation environnementales connues et applicables et la politique de bon voisinage des communautés où elle fabrique et vend ses produits.

DIRECTIVE DEEE : La directive EU 2002/96/CE sur les « déchets d'équipements électriques et électroniques [DEEE] » concerne la plupart des distributeurs, vendeurs et fabricants d'équipements électroniques grand public dans l'Union européenne. La directive DEEE requiert que le producteur d'équipements électroniques grand public prenne en charge la gestion des déchets de leurs produits et mettent en oeuvre leur élimination en respectant l'environnement, pendant le cycle de vie du produit.

Il est possible que la conformité à la directive DEEE ne soit pas requise sur le site pour les équipements électriques et électroniques [EEE], ou pour les équipements EEE conçus et destinés à des installations temporaires ou fixes sur les véhicules de transport tels que les automobiles, les aéronefs ou les bateaux. Dans certains pays membres de l'Union européenne, ces véhicules n'entrent pas dans le domaine d'application de la directive, et les EEE pour ces applications peuvent être considérés exclus de la conformité à la directive WEEE.

 Ce symbole (poubelle DEEE) figurant sur le produit indique qu'il ne doit pas être mis au rebut avec les autres déchets ménagers. Il doit être éliminé et recueilli pour le recyclage et la récupération des équipements

EEE à mettre au rebut. Johnson Outdoors Marine Electronics, Inc. marque tous les produits EEE conformément à la directive DEEE. Notre but est de respecter les directives sur la collecte, le traitement, la récupération et la mise au rebut de ces produits en respectant l'environnement ; ces exigences varient toutefois d'un état membre à l'autre de l'Union européenne. Pour obtenir d'autres renseignements sur les sites d'élimination des déchets d'équipements en vue de leur recyclage et de leur récupération et/ou sur les exigences des états membres de l'Union européenne, renseignez-vous auprès du distributeur ou du lieu d'achat de votre produit.