

ICE HELIX® SERIES Installation Guide


532363-3_B


Follow the instructions in this installation guide to install the ICE HELIX® control head in the portable case and install the ICE transducer.

There may be some minor differences between the hardware described in this manual and the actual hardware included, depending on the configuration you purchased. We encourage you to read this guide completely so that you may understand the installation requirements.

Technical Support: If you find that any items are missing from your installation kit, visit our Web site at humminbird.johnsonoutdoors.com or contact the Humminbird Help Center at <https://humminbird-help.johnsonoutdoors.com/hc/en-us>.

Supplies: In addition to the installation kit, you will need a Phillips-head screwdriver and flat-head screwdriver.

 **NOTE:** The procedures and features described in this guide are subject to change without notice. This guide was written in English and may have been translated to another language. Humminbird is not responsible for incorrect translations or discrepancies between documents.


 **NOTE:** The illustrations in this guide may not look the same as your product, but your unit will function in the same way.


 **WARNING!** Always make sure that conditions are safe before walking on the ice.

INSTALLATION PREPARATION


1 | Charging the Battery

You should fully charge your battery before using it for the first time to ensure peak performance. You should also re-charge your battery at least once every 6 months to maintain your battery's peak performance levels. This is especially important during periods of prolonged storage. This type of battery **should not be stored in a discharged state**.


 **WARNING!** Do NOT use the Humminbird charger with other manufacturers' batteries. The Humminbird charger is only compatible with Humminbird batteries. If you have questions, please see our Web site at humminbird.johnsonoutdoors.com or contact Humminbird Technical Support.


 **NOTE:** Some international models may not include a battery or battery charger.

1. Charge the battery, using the included battery charger, until it is fully charged as indicated by the LED on the charger. Charging usually requires 8 continuous hours, but may vary depending on your configuration.

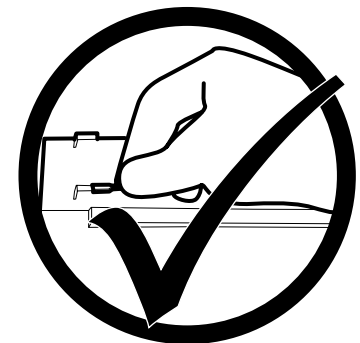
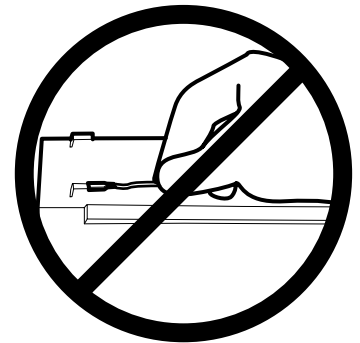
 **NOTE:** The battery charger uses a yellow LED to indicate it is charging. On some models, this light might appear closer to orange than yellow. When this happens, the battery is still charging properly and should be left to charge until the LED becomes green.

2. Slide the battery terminal adapter over each spade terminal.

 **CAUTION!** Do not pull on the battery or charger cables when you are trying to connect them or disconnect them from the battery terminals. Push or pull gently on the spade terminals instead. If the connector feels tight, use a slight wiggling motion to slide the spade connector into place on the terminal.

 **NOTE:** The battery terminal adapter allows you to power your control head and charge it at the same time.

Handling the Spade Terminals



2 | Testing the Transducer

Prior to installation, test the transducer to make sure that no damage occurred during shipping.

1. Connect the power cable to the control head and the battery terminal adapter [see **Connecting the Power Cable and Installing the Battery**].
2. Connect the transducer cable to the control head [see **Installing the Transducer**].
3. Lower the transducer into the ice hole.
4. **Power On:** Press the POWER key. While the Title screen is shown on the display, press the MENU key. Select Normal mode, and press the RIGHT cursor key to start Normal mode.
If the transducer is working properly, you will see the bottom on the sonar view.
5. **Power Off:** Press and hold the POWER key.
6. **Disconnect Cables:** Disconnect the transducer and power cable from the control head. Disconnect the power cable terminals from the battery until the installation is completed and you're ready to fish.

ICE HELIX SERIES CASE ASSEMBLY

Perform the ICE HELIX case assembly tasks in order, referring to the step-by-step procedures that represent the following main assembly tasks:

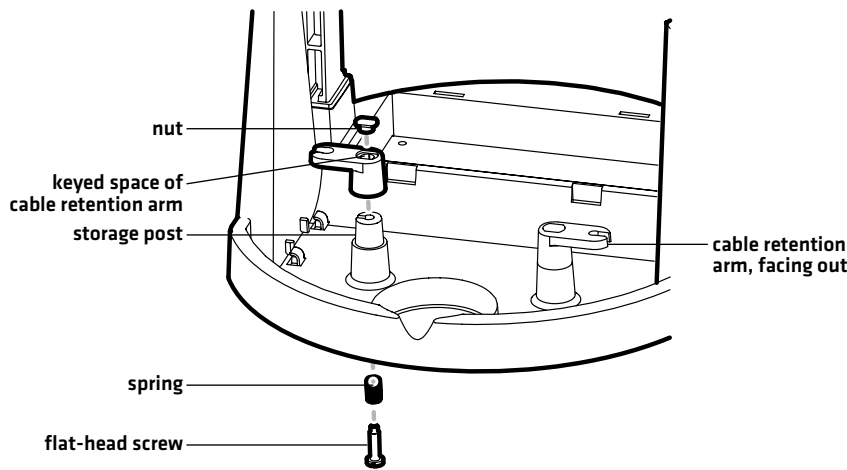
- Assembling the transducer storage posts onto the base
- Assembling the handle to the base
- Mounting the control head to the base
- Connecting the power cable and installing the battery
- Installing the transducer
- Installing the base in the portable bag
- Connecting power
- Setting up the control head
- Stowing the ICE transducer and battery charger in the portable bag

When you are finished, the control head and the transducer will be part of the ICE case assembly, and you will be ready to take your ICE HELIX out on the ice for final setup.

1 | Assembling the Transducer Storage Posts

In this procedure, you will install the posts to hold the transducer cable.

1. Slide one spring over each flat-head screw and set aside.
2. Insert a nut into the keyed space of each cable retention arm. Push down on the nut until it is flush with the surface of the cable retention arm.
3. Slide one cable retention arm over one storage post so that the arm faces out.
4. Hold the cable retention arm in place, and turn the base upside down.
5. Drop the assembled screw and spring straight into the back of the storage post. Using a flat-head screwdriver, push down on the screw, and tighten. See the illustration **Installing the Transducer Storage Posts. Hand-tighten only!**

Installing the Transducer Storage Posts


- Repeat steps 2-5 for the second cable retention arm.

⚠ CAUTION! Do not use a high speed driver on this combination of fasteners. **Hand-tighten only!**

2 | Assembling the Handle

In this procedure, you will install the handle and attach the tie-down straps that will be used to secure the battery to the base in a later procedure.

- Install the handle onto the base, so that the curved part of the handle faces towards the back of the base, towards the battery well.
- Install the four included #8-32 x 7/16" screws, two on each side, to attach the handle to the base. See the illustrations *Installing the Handle onto the Base* and *Sliding in the Handle*. **Hand-tighten only!**

🔧 NOTE: The handle is keyed so that it only fits onto the base in one way.

- Turn the base upside down. Thread the two included battery tie-down straps from the bottom of the base up through each side of the battery well, using the strap holes. Make sure the soft side of the strap faces down. See the illustration *Attaching the Battery Tie-Down Straps*.
- Turn the base right side up and pull up gently on the battery tie-down straps to remove the slack.

🔧 NOTE: Before you install the battery into the portable case, finish the assembly procedures and charge the battery for 8 hours. See **Charging the Battery** for more information.

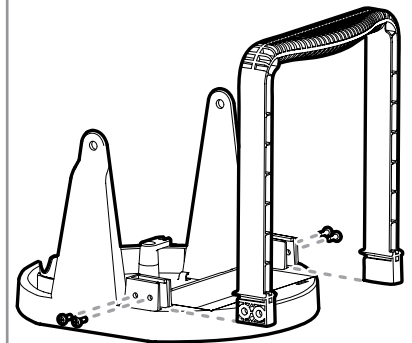
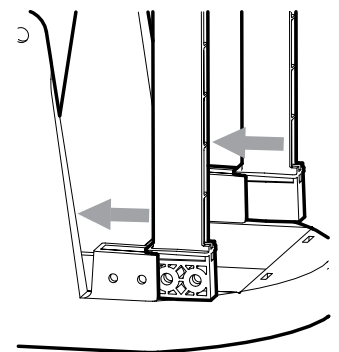
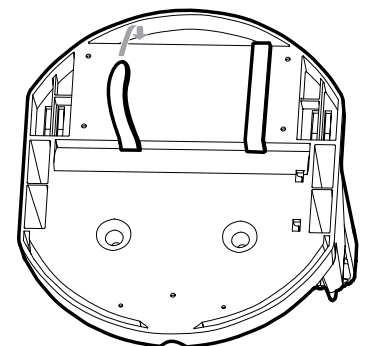
3 | Mounting the Control Head to the Base

In this procedure, you will mount the HELIX Series control head to the base/handle assembly.

- Insert a gimbal mount adapter onto each side of the gimbal bracket located on the base.


🔧 NOTE: If you have a conversion kit, select the gimbal mount adapter that corresponds with your control head.


- Slide the control head into the gimbal mount adapters.

Installing the Handle onto the Base

Sliding in the Handle

Attaching the Battery Tie-Down Straps


ICE HELIX® SERIES Installation Guide

- Thread the gimbal knob through the gimbal mount adapter into the control head housing. Tighten the knob just enough so that you can still adjust the control head angle.

 **NOTE:** If you have a conversion kit, select the gimbal knob that corresponds with your control head.


 **NOTE:** Your hardware bag may include rubber washers; however, they are not required for this installation.

- Repeat step 3 for the other side.
- Adjust the control head viewing angle, and tighten the gimbal knobs so the control head is secured on the gimbal bracket. **Hand-tighten only!**


4 | Connecting the Power Cable and Installing the Battery

In this procedure, you will route the power cable to your control head and install the battery into the base.


- Insert the power cable connector into the correct port on your control head. Refer to the illustration that matches the number of ports on your control head.

 **NOTE:** The control head ports are keyed to prevent reversed installation, so be careful not to force the connectors into the wrong ports.

- Move the tie-down straps out of the way so that the battery well is fully accessible.


 **NOTE:** For ease of access to the battery well, move the tie-down straps to the side and secure them around the handle.


- Place the battery on the foam pad and push the battery into the battery well. Make sure that the spade terminals are on the left side of the battery well and that the foam pad fits evenly around the battery well edges. See the illustration *Installing the Battery*.

 **NOTE:** Before proceeding with this procedure, confirm the battery is fully charged [see *Charging the Battery*].

- Pull the two battery tie-down straps over the top of the battery and connect both ends of each strap over the top. Make sure that the straps are pulled tight around the battery and that the battery is seated securely in the battery well.


- Slide the battery terminal adapter over each spade terminal.

 **NOTE:** The battery terminal adapter allows you to power your control head and charge it at the same time.


 **NOTE:** Do NOT connect the power cable to the battery at this time. You should wait until just before fishing to connect the power cable to the battery.

5 | Installing the Transducer

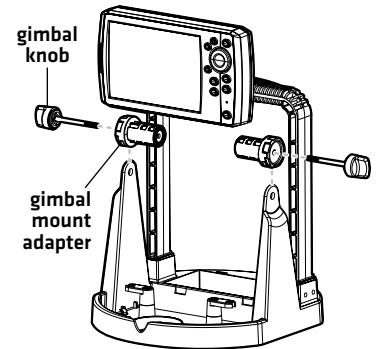
Use the instructions in this section to install the transducer.

 **WARNING!** Always make sure that conditions are safe before walking on the ice.

- Attach your transducer float to the transducer cable by sliding the cable through the slit in the float [see the illustration *Attaching the Float*].
- Position the float so that the transducer will be submerged in the water, just below the ice.

 **NOTE:** The transducer must be submerged in water for reliable transducer detection. The bottom of the transducer should be even with the bottom of the ice or hang slightly below the bottom of the ice.

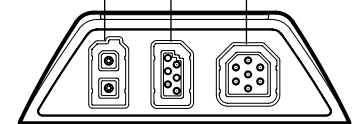
Mounting the Control Head



Control Head with 3 Ports

COM (communications)

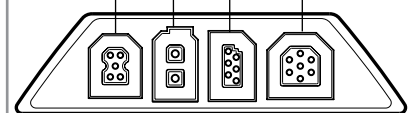
power transducer



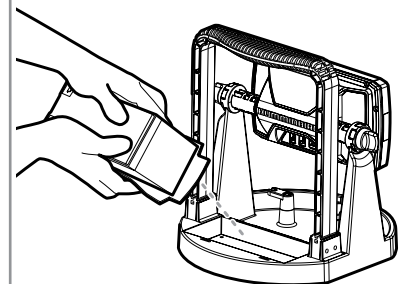
Control Head with 4 Ports (includes Ethernet)

COM (communications)

Ethernet power transducer



Installing the Battery



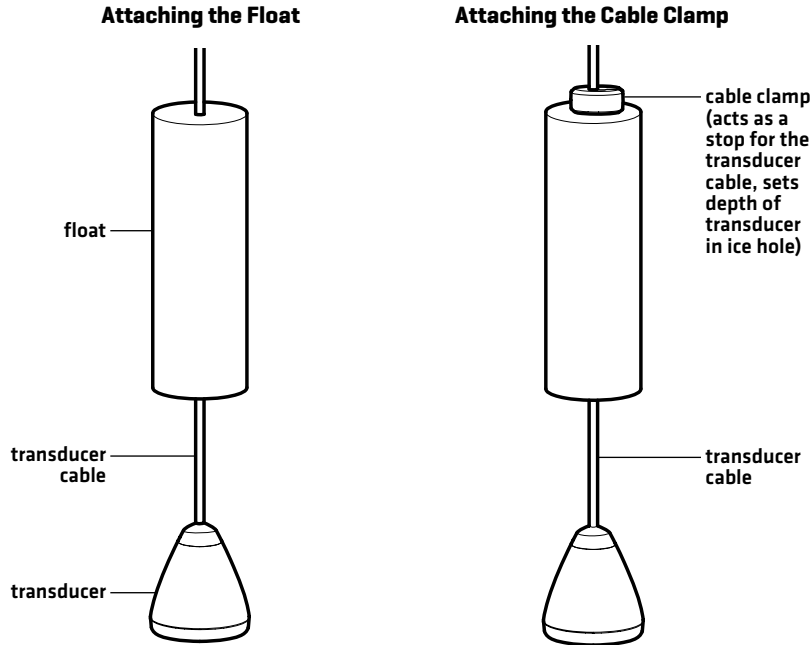
Tying Down the Battery



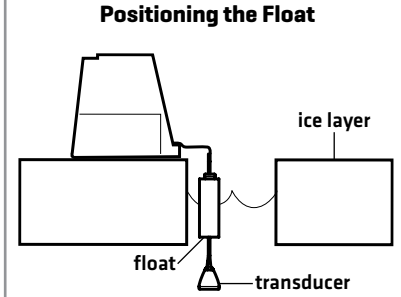
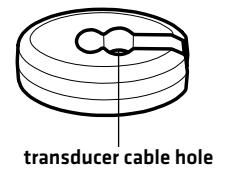
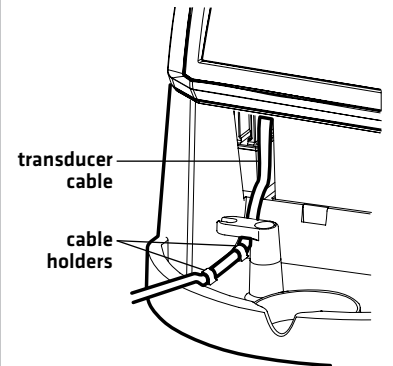
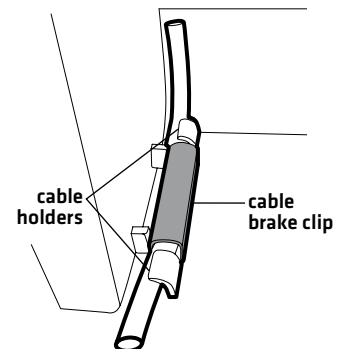
ICE HELIX® SERIES Installation Guide

532363-3_B

- Once you know where you want to position your float, place the cable clamp onto the transducer cable, above the float. Make sure that the cable is taut, so that the transducer hangs straight down [see the illustration *Attaching the Cable Clamp*].



- Insert the transducer cable into the appropriate slot on the rear of the control head. The ports are keyed to prevent reversed installation, so be careful not to force the connector into the port. If the cable connector feels tight, lightly coat the outside of the connector with silicone grease. See the illustrations *Control Head with 3 Ports* and *Control Head with 4 Ports (includes Ethernet)*.
- Route the transducer cable beneath the control head and secure it to the cable holders on the base.
- Attach the cable brake clip between the two cable holders to secure the cable.


Cable Clamp

Securing the Transducer Cable

Attaching the Cable Brake Clip (Enlarged View)

6 | Installing the Base in the Portable Bag

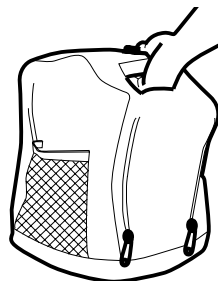
In this procedure, you will install the control head and base into the portable bag.

- Unzip the front opening on the portable bag.
- Insert the base into the portable bag, so the control head faces out of the bag.

Pull the bag over one shoulder of the handle at a time. Make sure you can grab the handle through the fabric handhold inset from the outside top of the portable bag.

Installing the Base into the Bag

Pulling the Bag over the Handle

Holding the Portable Bag


7 | Connecting Power

1. Turn the portable case around so that you can access the back, and open the back zippers. Connect the spade clip on the red wire of the power cable to the red terminal on the battery, and the spade clip on the black wire of the power cable to the black terminal on the battery. Make sure the spade clips are snugly attached to the terminals (see the illustration **Connecting the Spade Clips**).
2. Make sure the back battery door is zipped close, but leave the front of the bag unzipped for operation.

8 | Setting up Ice Fishing on the Control Head

Use the following instructions to get started using the control head for ice fishing. See your control head operations manual for operations instructions.


1. **Power On:** Press the POWER key.
2. While the Title screen is shown on the display, press the MENU key. Select Normal mode, and press the RIGHT Cursor key to start Normal mode.
3. If the transducer is working properly, you will see the bottom on the sonar view.

Confirm the Connected Transducer: Depending on your control head model, you may have to select the connected transducer in the menu system. To confirm the transducer, go to Main Menu > Sonar > Connected Transducer.

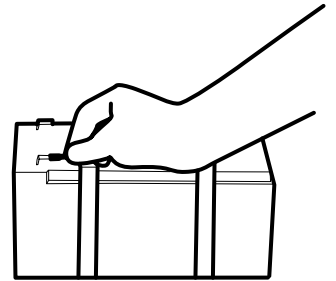
Stowing the ICE Transducer and Battery Charger in the Portable Bag

When you are done fishing, it is important to store the transducer and battery charger, and disconnect power.

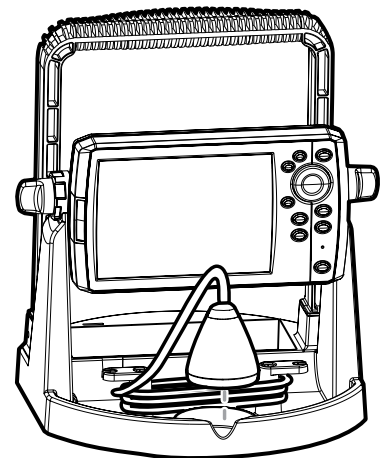
1. Remove the transducer from the water, and wipe it dry.
2. Tuck the float under the control head, and wrap the cable around the storage posts. Store the transducer in the transducer well.
3. Stow the battery charger in the portable case.
4. **Disconnect Power:** Unplug the power cable when not in use.
5. Make sure all the zippers are closed.

 **CAUTION!** Although the transducer cable is designed to be flexible in cold temperatures, you must store your cable correctly to avoid stressing it. Make sure it is coiled smoothly, with no kinks, and that it is clear of the zippers on the portable bag.

Connecting the Spade Clips



Stowing the Transducer



MAINTENANCE

Your Humminbird ICE fishfinder is designed to provide years of trouble-free operation with virtually no maintenance. Follow the simple procedures below to ensure that your Humminbird ICE continues to deliver top performance.

Control Head Maintenance


It is important to consider the following precautions when using your control head.

 **WARNING!** Do not use a chemical glass cleaner on the screen. Chemicals in the solution may cause cracking in the lens of the unit.

- Chemicals, such as those found in bug spray and sunscreen, may cause permanent damage to the control head screen. Such damage is not covered by the warranty.
- Never leave your Humminbird ICE unit in a closed car or trunk — the high temperatures generated in hot weather can damage the electronics.

Use the following information to keep the control head and screen clean.

- **Screen:** When cleaning the LCD protective screen, use a chamois and nonabrasive, mild cleaner. Be careful to avoid scratching the lens.

 **NOTE:** Do not wipe the screen while dirt or grease is on the screen.

- **Control Head:** If the unit comes into contact with salt spray, wipe the affected surfaces with a cloth dampened in fresh water.

Transducer Maintenance

If your transducer remains in the water for long periods of time, slush, algae and other marine growth can reduce the effectiveness of the transducer. Periodically clean the face of the transducer with a mild, marine-safe and plastic-safe soap or solution.

If your transducer remains out of the water for a long period of time, it may take some time to wet the transducer after it is returned to the water. Small air bubbles can cling to the surface of the transducer and interfere with proper operation. These bubbles will dissipate with time, or you may wipe the face of the transducer with your fingers after the transducer is in the water.

Portable Case Maintenance

- If the portable case comes into contact with salt spray, wipe the affected surfaces with a lint-free cloth, then apply a commercially available anti-corrosive treatment to all exposed electrical contacts.
- If the portable case becomes dirty, clean the case with mild soap, water, and a soft rag or brush and then hang it up to dry.

How to Remove Water from the Portable Case

Open the front zipper and pull the case down to allow water to exit the case. If needed, remove the case from the plastic base and air-dry it. Follow recommended maintenance procedures for salt spray exposure, if needed.


SPECIFICATIONS


Power Requirement..... 12 Volt sealed lead acid battery;
up to 16 hours continuous operation


Contact Humminbird


Contact Humminbird Technical Support through our Help Center at <https://humminbird-help.johnsonoutdoors.com/hc/en-us> or by writing to the address below:


Humminbird Service Department
678 Humminbird Lane
Eufaula, AL 36027 USA

 **WARNING!** Disassembly and repair of this electronic unit should only be performed by authorized service personnel. Any modification of the serial number or attempt to repair the original equipment or accessories by unauthorized individuals will void the warranty.


 **WARNING!** Do NOT use the Humminbird charger with other manufacturers' batteries. The Humminbird charger is only compatible with Humminbird batteries. If you have questions, visit our Web site at humminbird.johnsonoutdoors.com or contact Humminbird Technical Support.

 **WARNING!** The transducer must be fully submerged in water during operation because the sonar signal cannot pass through air. Air pinging can damage the transducer.

 **NOTE:** Product specifications and features are subject to change without notice.


 **NOTE:** For operations information, see the Operations Summary Guide and control head operations manual.

FCC NOTICE: This device complies with Part 15 of the FCC Rules. Operation is subject to the following two conditions: [1] this device may not cause harmful interference, and [2] this device must accept any interference received, including interference that may cause undesired operation.

 **CAUTION!** This equipment has been tested and found to comply with the limits for a Class B digital device, pursuant to Part 15 of the FCC Rules. These limits are designed to provide reasonable protection against harmful interference in a residential installation. This equipment generates, uses and can radiate radio frequency energy and, if not installed and used in accordance with the instructions, may cause harmful interference to radio communications. However, there is no guarantee that interference will not occur in a particular installation. If this equipment does cause harmful interference to radio or television reception, which can be determined by turning the equipment off and on, the user is encouraged to try to correct the interference by one or more of the following measures:

- Reorient or relocate the receiving antenna.
- Increase the separation between the equipment and receiver.
- Connect the equipment into an outlet on a circuit different from that to which the receiver is connected.
- Consult the dealer or an experienced radio/TV technician for help.


Class B Device (Broadcasting and communication equipment for home):

 **CAUTION!** This equipment is home use [Class B] electromagnetic wave suitability equipment and to be used at home and it can be used in all areas.

ENVIRONMENTAL COMPLIANCE STATEMENT: It is the intention of Johnson Outdoors Marine Electronics, Inc. to be a responsible corporate citizen, operating in compliance with known and applicable environmental regulations, and a good neighbor in the communities where we make or sell our products.

WEEE DIRECTIVE: EU Directive 2002/96/EC "Waste of Electrical and Electronic Equipment Directive (WEEE)" impacts most distributors, sellers, and manufacturers of consumer electronics in the European Union. The WEEE Directive requires the producer of consumer electronics to take responsibility for the management of waste from their products to achieve environmentally responsible disposal during the product life cycle.

WEEE compliance may not be required in your location for electrical & electronic equipment (EEE), nor may it be required for EEE designed and intended as fixed or temporary installation in transportation vehicles such as automobiles, aircraft, and boats. In some European Union member states, these vehicles are considered outside of the scope of the Directive, and EEE for those applications can be considered excluded from the WEEE Directive requirement.

 This symbol [WEEE wheelee bin] on product indicates the product must not be disposed of with other household refuse. It must be disposed of and collected for recycling and recovery of waste EEE. Johnson Outdoors Marine Electronics, Inc. will mark all EEE products in accordance with the WEEE Directive. It is our goal to comply in the collection, treatment, recovery, and environmentally sound disposal of those products; however, these requirements do vary within European Union member states. For more information about where you should dispose of your waste equipment for recycling and recovery and/or your European Union member state requirements, please contact your dealer or distributor from which your product was purchased.

ICE HELIX Guide d'Installation


532363-3_B


Suivez les instructions de ce guide d'installation pour installer la tête de commande ICE HELIX dans la mallette de transport et installez le transducteur ICE.


Il pourrait y avoir quelques différences mineures entre la quincaillerie décrite dans cette notice et la quincaillerie réellement fournie, car elle dépend de la configuration du produit acheté. Nous vous encourageons à lire ce guide dans son intégralité afin de prendre connaissance des exigences d'installation.

Support technique : Si vous remarquez qu'il manque un article dans votre trousse d'installation, rendez-vous sur notre site Web à l'adresse humminbird.johnsonoutdoors.com, ou contactez le support technique Humminbird via notre centre d'aide à l'adresse <https://humminbird-help.johnsonoutdoors.com/hc/enus>.

Matériel : Outre la trousse d'installation, vous aurez besoin d'un tournevis à pointe cruciforme et d'un tournevis à tête plate, d'un poinçon, d'un marteau, et d'une pince.

 **REMARQUE :** Les procédures et les fonctionnalités décrites dans ce manuel sont susceptibles d'être modifiées à tout moment sans préavis. Ce manuel a été rédigé en anglais et a été traduit dans d'autres langues. Humminbird n'est pas responsable de la traduction inexacte ou des légères anomalies susceptibles d'être rencontrées dans les différents documents.


 **REMARQUE :** Même si les illustrations de ce manuel ne représentent pas exactement votre appareil, celui-ci fonctionne de la même façon.


 **AVERTISSEMENT !** Assurez-vous toujours des conditions de sécurité avant de marcher sur la glace.

PRÉPARATION DE L'INSTALLATION


1 | Charger la batterie

Vous devez charger complètement votre batterie avant de l'utiliser pour la première fois afin d'assurer des performances optimales. Vous devez également recharger votre batterie au moins une fois tous les 6 mois pour maintenir les niveaux de performance de pointe de votre batterie. Ceci est particulièrement important pendant les périodes de stockage prolongé. Ce type de batterie **ne doit pas être stocké dans un état déchargé.**


 **AVERTISSEMENT ! NE PAS** utiliser le chargeur Humminbird avec des piles d'autres fabricants. Le chargeur Humminbird n'est compatible qu'avec des piles Humminbird. Pour toute question, rendez-vous sur notre site Web à l'adresse humminbird.johnsonoutdoors.com, ou contactez le support technique Humminbird.


 **REMARQUE :** La batterie et le chargeur ne sont pas inclus avec certains modèles internationaux.

1. Chargez la batterie à l'aide du chargeur inclus en veillant à la charger à fond, indiqué par le voyant du chargeur. En général, la charge de la batterie prend 8 heures continues mais cela peut varier avec votre configuration.

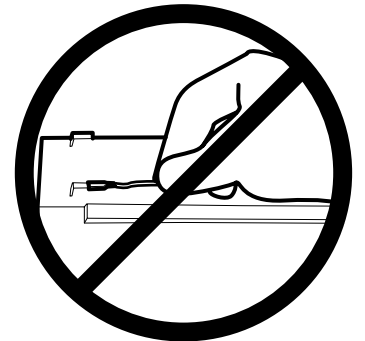
 **REMARQUE :** Le chargeur de batterie signale la mise en charge par un voyant jaune. Sur certains modèles, ce voyant se rapproche plus de l'orange que du jaune. La batterie continue alors de se charger normalement, et la mise en charge doit se poursuivre tant que le témoin n'est pas passé au vert.

2. Faites glisser l'adaptateur de borne de batterie sur chaque borne en fourche.

 **MISE EN GARDE !** Ne tirez pas sur les câbles de la batterie ou du chargeur en tentant de les brancher ou de les débrancher des bornes de la batterie. Il vaut mieux enfoncer ou tirer délicatement sur les bornes en fourche. Si le connecteur paraît trop serré, appliquez un léger mouvement oscillant pour faire glisser le connecteur en fourche sur la borne.

 **REMARQUE :** L'adaptateur de borne de batterie permet d'alimenter la tête de commande et de la charger en même temps.

Manipulation des bornes en fourche



2 | Tester le transducteur

Testez le transducteur avant l'installation pour vous assurer qu'il n'a subi aucun dégât au cours de l'expédition.

1. Connectez le câble d'alimentation à la tête de commande et à l'adaptateur de borne de batterie [voir **Connexion du câble d'alimentation et installation de la batterie**].
2. Connectez le câble du transducteur à la tête de commande [voir **Raccordement du câble du transducteur**].
3. Lâchez le transducteur dans le trou dans la glace.
4. **Mise en marche** : Appuyez sur la touche Mise en marche [POWER]. Pendant que l'écran Titre [Title] s'affiche, appuyez sur la touche MENU. Sélectionnez Normal, et appuyez sur la touche curseur DROITE.

Si le transducteur fonctionne correctement, vous verrez le fond en mode d'affichage sonar.

5. **Arrêt** : Maintenez enfoncée la touche Mise en marche [POWER].
6. **Débranchez les câbles** : Débranchez le câble d'alimentation et le câble du transducteur de la tête de commande. Déconnectez les bornes du câble d'alimentation de la batterie jusqu'à la fin de l'installation et jusqu'à ce que vous soyez prêt à pêcher.

ASSEMBLAGE DU BOÎTIERS ICE HELIX SERIES

Vous devriez effectuer les tâches de montage du boîtier portable dans la séquence indiquée, c'est-à-dire en suivant systématiquement les procédures de montage principales suivantes :

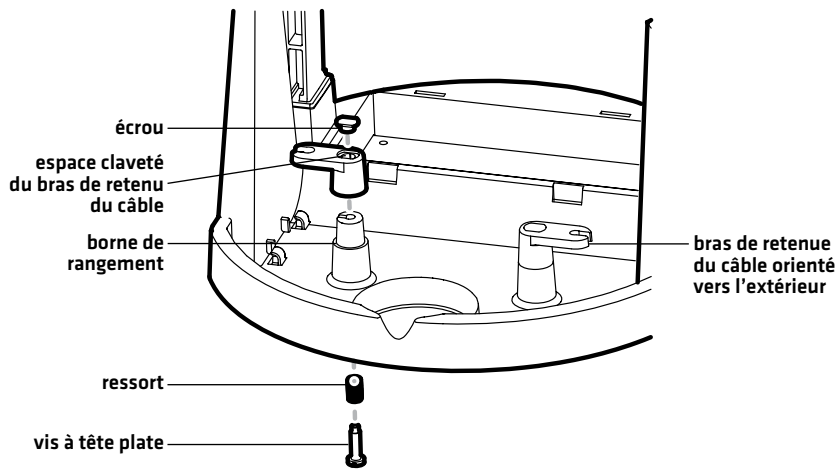
- Assemblage des bornes de rangement du transducteur
- Assemblage la poignée à la base
- Montage de la tête de commande à la base
- Connexion du câble d'alimentation et installation de la batterie
- Installation du transducteur
- Installation de la base dans la mallette de transport
- Connexion de puissance
- Configuration de la tête de commande
- Mise en place du transducteur ICE et du chargeur de batterie dans le boîtier portable

Une fois terminé, la tête de commande et le transducteur sont intégrés au boîtier portable, et vous serez prêt à emporter votre mallette de transport sur la glace pour un réglage final.

1 | Assemblage des bornes de rangement du transducteur

Suivez cette procédure pour installer les bornes de fixation du câble de transducteur.

1. Faites glisser le ressort sur chaque vis à tête plate et mettez-les de côté.
2. Insérez un écrou dans l'espace claveté de chaque bras de retenue du câble. Enfoncez l'écrou de façon à le faire affleurer à la surface du bras de retenue du câble.
3. Faites glisser un bras de retenue du câble sur une borne de rangement, en orientant le bras vers l'extérieur.
4. Maintenez le bras de retenue du câble en place et mettez le socle à l'envers.
5. Lâchez la vis munie de son ressort dans la partie arrière de la borne de rangement. Enfoncez la vis et serrez en utilisant un tournevis à tête plate. Consultez les illustration **Installation des bornes de rangement**. **Serrez la vis à la main seulement!**

Installation des bornes de rangement


6. Répétez les étapes 2 à 5 pour le deuxième bras de retenue du câble.

⚠ MISE EN GARDE ! Ne pas utiliser de visseuse à grande vitesse avec cet ensemble de dispositifs de fixation. **Serrer à la main seulement!**

2 | Assemblage la poignée

Suivez cette procédure pour installer la poignée et attacher les sangles d'arrimage qui seront utilisées pour sécuriser la batterie dans une procédure ultérieure.

1. Installez la poignée sur le socle de façon à orienter la partie recourbée de la poignée vers la partie arrière du socle, en direction du logement de la batterie.
2. Installez les quatre vis n° 8-32 x 7/16 po (fournies), à raison de deux par côté, pour fixer la poignée à la base. Voir les illustrations *Installation de la poignée sur la base* et *Insertion de la poignée*. Serrez la vis à la main seulement!

🔧 REMARQUE : La poignée est clavetée et ne s'adapte au socle que dans un seul sens.

3. Mettez le socle à l'envers et enflez les deux sangles de batterie (fournies) depuis la base du socle à travers les trous des sangles de part et d'autre du logement de batterie. Assurez-vous que la face lisse de la sangle est orientée vers la bas. Voir l'illustration *Fixation des sangles de la batterie*.
4. Retournez la base à l'endroit et tirez sans forcer sur les sangles de la batterie pour éliminer le mou.

🔧 REMARQUE : Terminez les procédures d'assemblage et chargez la batterie pendant 8 heures avant d'installer celle-ci dans la mallette de transport. Voir **Charger la batterie** pour plus d'informations à ce sujet.

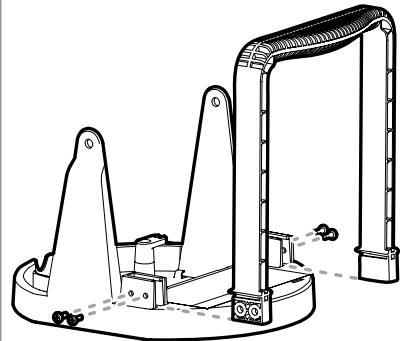
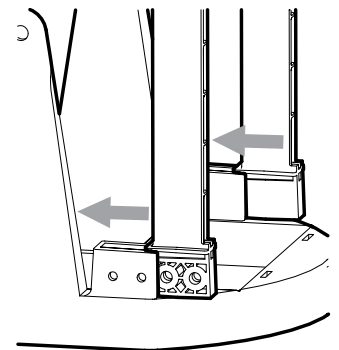
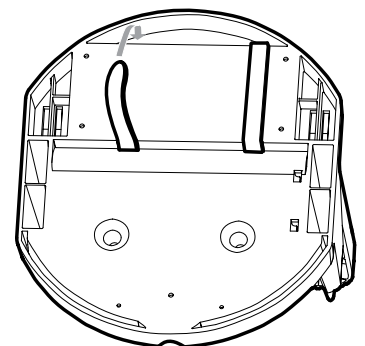
3 | Montage de la tête de commande à la base

Suivez cette procédure pour installer la tête de commande de ICE HELIX Series sur l'ensemble socle/poignée.

1. Insérez l'adaptateur de montage à cardan de chaque côté du support de cardan situé sur la base.

🔧 REMARQUE : Si vous avez un kit de conversion, sélectionnez l'adaptateur de montage à cardan correspondant à votre tête de commande.

2. Faites glisser la tête de commande dans les adaptateurs de montage à cardan.
3. Filez la molette de cardan à travers l'adaptateur de montage à la cardan. Serrez la molette de cardan pour attacher la tête de commande sur le support.

Installation de la poignée sur le socle

Insertion de la poignée

Fixation des sangles de la batterie


ICE HELIX Guide d'Installation

REMARQUE : Si vous avez un kit de conversion, sélectionnez le bouton de cardan correspondant à votre tête de commande.

REMARQUE : Votre sac de quincaillerie peut inclure des rondelles en caoutchouc; cependant, elles ne sont pas requises pour cette installation.

- Répétez l'étape 3 pour l'autre côté.
- Réglez l'angle de la tête de commande et serrez les molettes du cardan jusqu'à ce que la tête de commande soit solidement maintenue sur le support du cardan. **Serrez la vis à la main seulement!**

4 | Connexion du câble d'alimentation et installation de la batterie

Suivez cette procédure pour connecter le cordon d'alimentation à la tête de commande et installez la batterie dans la base.

- Insérez les fiches du câble d'alimentation dans le port correspondant sur la tête de commande. Reportez-vous à l'illustration correspondant au nombre de ports sur votre tête de commande.

REMARQUE : Les connecteurs de tête de commande sont clavetés afin de prévenir leur inversion, alors assurez-vous de ne pas forcer les connecteurs dans les mauvaises fentes.

- Dégagez les sangles de fixation du logement de la batterie pour que celle-ci soit facile d'accès.

REMARQUE : Pour faciliter l'accès à le logement de la batterie, déplacer les sangles d'arrimage sur le côté et les fixer autour de la poignée.

- Placez la batterie sur le coussin d'étanchéité et poussez la batterie dans le logement de la batterie. Vérifiez le bon ajustement de la borne à fourche à gauche du logement de la batterie, et du coussin d'étanchéité autour des bords du logement. Voir l'illustration *Installation de la batterie*.

REMARQUE : Avant de procéder à cette procédure, vérifiez que la batterie est chargée (voir *Charger la batterie*).

- Tirez les deux sangles de batterie par-dessus la batterie, et reliez les deux extrémités de chaque sangle au sommet. Veillez à bien tirer les sangles autour de la batterie; la batterie doit être bien stable dans son logement.

- Faites glisser l'adaptateur de borne de batterie sur chaque borne à fourche.

REMARQUE : L'adaptateur de borne de batterie permet d'alimenter la tête de commande et de la charger en même temps.

REMARQUE : Ne branchez PAS le câble d'alimentation à la batterie à ce stade. Vous devriez attendre jusqu'au moment de la pêche pour brancher le câble d'alimentation à la batterie.

5 | Installation de la transducteur

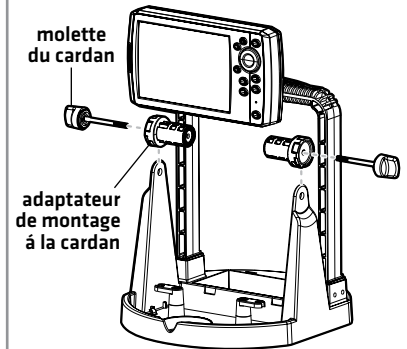
Suivez les instructions de cette section pour installer le transducteur.

AVERTISSEMENT ! Assurez-vous toujours des conditions de sécurité avant de marcher sur la glace.

- Fixez le transducteur flotteur pour le câble du transducteur en faisant glisser le câble à travers la fente dans le flotteur. Voir l'illustration *Fixation du flotteur au câble*.
- Positionnez le flotteur de façon à submerger le transducteur dans l'eau immédiatement sous la glace.

REMARQUE : Le transducteur doit être submergé dans l'eau pour la fiabilité de la détection. La partie inférieure du transducteur doit être à niveau avec le dessous de la couche de glace ou pendre légèrement en dessous du fond de la couche de glace.

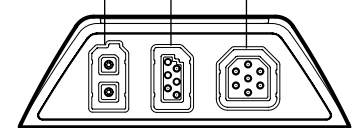
Assemblage de la tête de commande



Tête de commande à 3 ports

COM (communications)

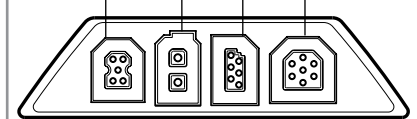
alimentation transducteur



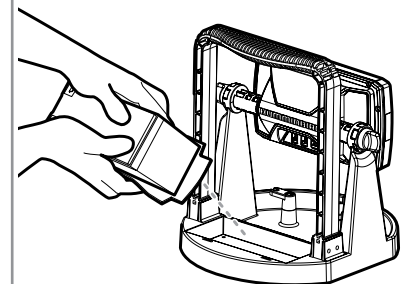
Tête de commande à 4 ports (avec Ethernet)

COM (communications)

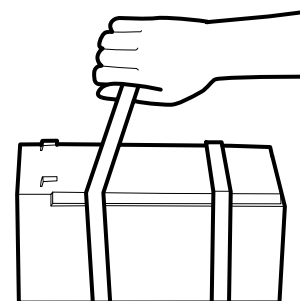
Ethernet alimentation transducteur



Installation de la batterie



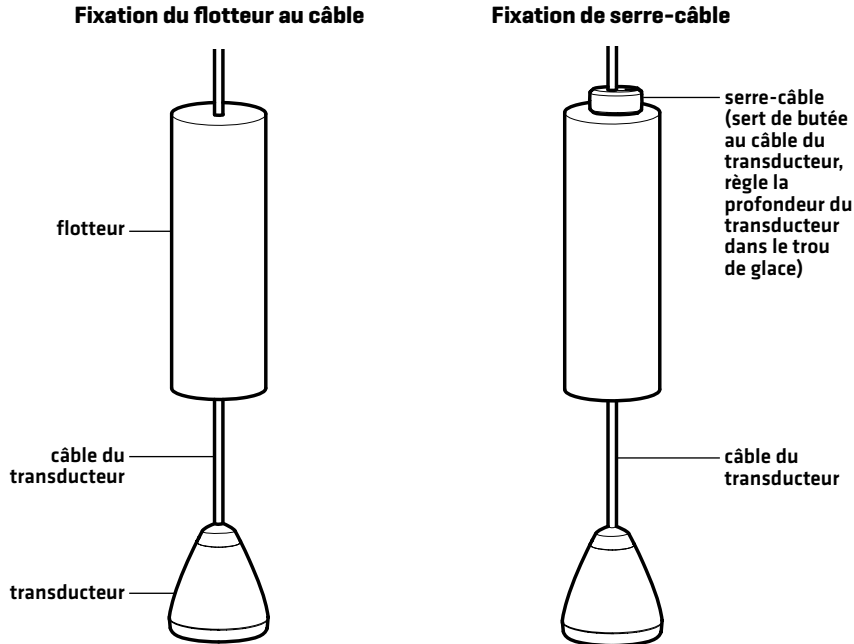
Fixation de la batterie



ICE HELIX Guide d'Installation

532363-3_B

3. Après avoir déterminé la position du flotteur, placez le serre-câble sur le câble de transducteur, au-dessus du flotteur. Vérifiez la tension du le câble : le transducteur doit pendre à la verticale [voir l'illustration *Fixation de serre-câble*].



4. Insérez le câble du transducteur dans la fente de borne appropriée sur la partie arrière de la tête de commande. Les fentes sont clavetées afin de prévenir une installation inversée; veillez à ne pas forcer les connecteurs dans le socle. Si le connecteur du câble semble trop serré, graisser légèrement l'extérieur du connecteur avec de la graisse silicone. Voir les illustrations *Tête de commande à 3 ports* et *Tête de commande à 4 ports (avec Ethernet)*.
5. Acheminez le câble du transducteur sous la tête de commande, et fixez-le aux supports de câble sur le socle.
6. Fixez le serre-câble sur le câble entre les deux supports de câble pour fixer le câble.

6 | Installation de la base dans la mallette de transport

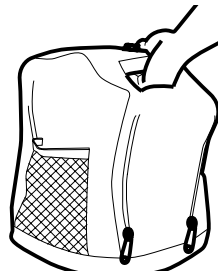
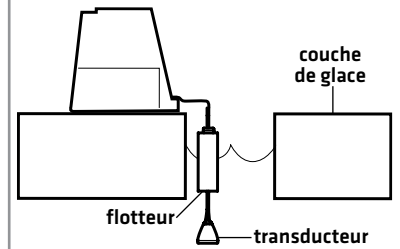
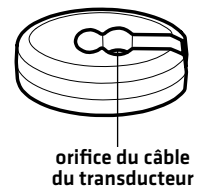
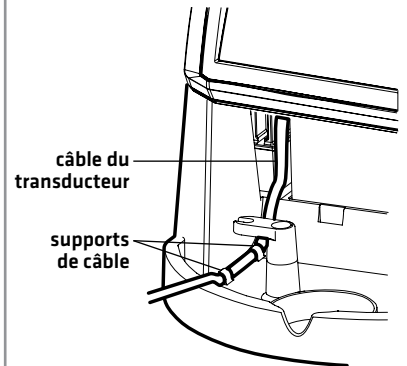
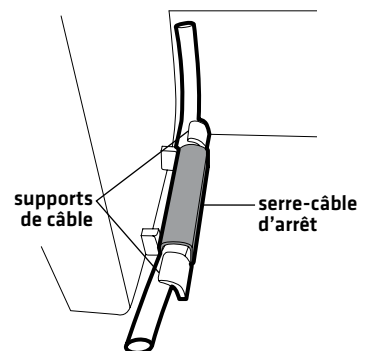
Suivez cette procédure pour installer la tête de commande et la base dans le sac de transport.

- Ouvrez la fermeture à glissière avant de la mallette de transport.
- Introduisez le socle dans la mallette de transport, en orientant la tête de commande vers l'avant de la mallette de transport.

Tirez le sac sur un épaulement de la poignée à la fois. Assurez-vous de pouvoir saisir la poignée à travers le tissu depuis la partie supérieure externe de la mallette de transport.

Installation du socle dans le sac

Tirer le sac par-dessus la poignée

Transport du sac

Positionner le flotteur

Serre-câble

Sécuriser le câble du transducteur

Fixation du serre-câble d'arrêt (Vue agrandie)


7 | Puissance de connexion

1. Retournez le boîtier portable afin de pouvoir avoir accès à l'arrière et ouvrez les fermetures à glissière située à l'arrière. Raccordez la pince à fourche sur le cordon rouge du câble d'alimentation à la borne rouge de la batterie et la pince à fourche sur le cordon noir du câble d'alimentation à la borne noire de la batterie. Assurez-vous que les pinces à fourche sont bien fixées aux bornes (voir l'illustration **Raccordement des pinces à fourche**).
2. Le volet arrière du logement de la batterie doit être refermé, mais laissez la partie avant de la poche ouverte pour opération.

8 | Définition de la fonction Pêche sous glace sur la tête de commande

Suivez les directives suivantes pour commencer à utiliser la tête de commande pour la pêche sous glace. Consultez votre guide d'utilisation de la tête de commande pour les directives d'utilisation.

1. **Mise en marche** : Appuyez sur la touche Mise en marche [POWER].
2. Pendant que l'écran Titre [Title] s'affiche, appuyez sur la touche MENU. Sélectionnez Normal, et appuyez sur la touche curseur DROITE.
3. Si le transducteur fonctionne correctement, vous verrez le fond en mode d'affichage sonar.

Confirmez le transducteur branché : Selon le modèle de votre tête de commande, vous devrez peut-être sélectionner le transducteur branché dans le système de menu. Pour confirmer le transducteur, accédez à : Menu principal > Sonar > Transducteur branché.

Mise en place du transducteur ICE et du chargeur de batterie dans le boîtier portable

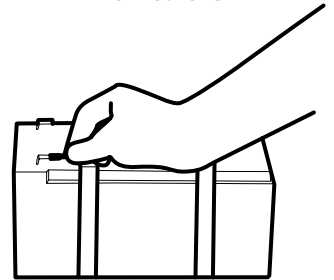
Une fois que vous avez terminé d'utiliser votre détecteur de poissons, il est important de ranger le transducteur et chargeur de batterie, et d'éteindre l'alimentation.

1. Sortez le transducteur de l'eau et essuyez-le.
2. Calez le flotteur sous la tête de commande et enroulez le câble autour des bornes de rangement. Rangez le transducteur dans son puits de rangement.
3. Rangez le chargeur de batterie dans la mallette de transport.
4. **Puissance Déconnecter** : Débranchez le câble d'alimentation si l'appareil n'est pas utilisé.
5. Assurez-vous que les glissières sont bien fermées.

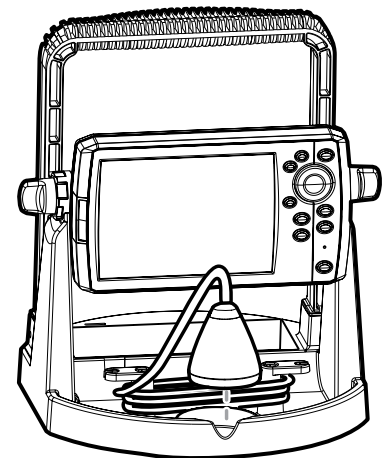


MISE EN GARDE ! Même si le câble du transducteur est conçu pour supporter les très basses températures, rangez-le correctement pour éviter toute contrainte. Veillez à l'enrouler en liasse, sans coudes, et à le ranger hors de portée de la fermeture à glissière dans le sac de transport.

Raccordement des pinces en fourche



Entreposage du transducteur



ENTRETIEN

Votre détecteur de poissons Humminbird ICE a été conçu pour fonctionner correctement pendant des années sans pratiquement aucun entretien. Suivez les procédures simples énumérées ci-dessous pour assurer un bon fonctionnement continu de votre appareil Humminbird ICE.

Entretien du transducteur

Il est important de prendre en compte les précautions suivantes lors de l'utilisation de votre tête de commande.

 **AVERTISSEMENT ! N'utilisez pas de nettoyeur chimique pour verre sur l'écran, car cela risquerait de le fendre.**

- Les produits chimiques, tels que ceux qui se trouvent dans les insecticides ou les écrans solaires peuvent endommager de façon permanente l'écran de la tête de commande. De tels dégâts ne sont pas couverts par la garantie.
- Ne laissez jamais votre appareil dans une voiture fermée, ou le coffre d'une voiture fermée, car les températures extrêmes des journées chaudes pourraient endommager les composants électroniques.

Utilisez les informations suivantes pour maintenir l'écran et la tête de contrôle propres.

- **Écran** : Lorsque vous nettoyez le verre protecteur de l'affichage LCD, utilisez une peau de chamois et un détergent doux non abrasif. Veillez à ne pas rayer le verre.



REMARQUE : N'essayez pas tant qu'il reste de la poussière ou de la graisse sur le verre.

- **Tête de commande** : Si l'appareil est exposé à des embruns salés, essuyez les surfaces concernées avec un linge humecté d'eau douce.

Entretien du transducteur

Si le transducteur demeure à l'eau pendant de longues périodes, les salissures peuvent réduire l'efficacité du transducteur. Nettoyez périodiquement la façade du transducteur avec un savon ou liquide doux et sans danger pour le plastique et pour le milieu biologique marin.

Si le transducteur est sorti de l'eau pendant une période prolongée, il faut le laisser reposer un certain temps après l'avoir remis dans l'eau. De petites bulles d'air peuvent adhérer à la surface du transducteur et gêner son fonctionnement. Ces bulles se dissipent avec le temps; vous pouvez également essuyer la surface du transducteur avec les doigts après l'avoir remis dans l'eau.

Entretien du boîtier portable

- Si le boîtier portatif a été exposé à des embruns salés, essuyez les surfaces touchées avec un linge sans peluche, puis appliquez un traitement anticorrosif du commerce à tous les contacts électriques exposés.
- Si le sac du boîtier portatif devient sale, nettoyez-le avec de l'eau, du savon doux et un chiffon ou une brosse douce, puis pendez-le pour le faire sécher.

Comment faire sortir l'eau du boîtier portatif

Ouvrez la glissière avant et tirez le boîtier vers le bas pour permettre à l'eau de sortir du boîtier. Au besoin, retirez le boîtier de son socle en plastique et faites-le sécher à l'air. Au besoin, suivez les procédures d'entretien recommandées en cas d'exposition aux embruns salés.


CARACTÉRISTIQUES


Alimentation requise Batterie acide-plomb scellée de
12 volts pour jusqu'à 6 heures de fonctionnement continu


Pour communiquer avec Humminbird


Contactez le support technique Humminbird via notre centre d'aide à l'adresse <https://humminbird-help.johnsonoutdoors.com/hc/enus> ou en écrivant à l'adresse ci-dessous :


Humminbird Service Department
678 Humminbird Lane
Eufaula, AL 36027 USA

 **AVERTISSEMENT !** La réparation et/ou le démontage de cet appareil électronique doit être effectué uniquement par un personnel d'entretien autorisé. Toute modification du numéro de série et/ou réparation par un personnel non autorisé entraînera l'annulation de la garantie.


 **AVERTISSEMENT !** NE PAS utiliser le chargeur Humminbird avec des piles d'autres fabricants. Le chargeur Humminbird n'est compatible qu'avec des piles Humminbird. Pour toute question, rendez-vous sur notre site Web à l'adresse humminbird.johnsonoutdoors.com, ou contactez le support technique Humminbird.

 **AVERTISSEMENT !** Le transducteur doit être complètement submergé dans l'eau pendant le fonctionnement car le signal du sonar ne peut pas traverser l'air. Un cliquetis d'air peut endommager le transducteur.

 **REMARQUE :** Les caractéristiques et spécifications de ce produit peuvent être modifiées sans préavis.


 **REMARQUE :** Consultez le guide de d'utilisation résumé et le guide d'utilisation de la tête de commande pour en savoir plus sur le fonctionnement.

AVIS DE LA FCC : Cet appareil est conforme à la Section 15 des règlements de la FCC. Son utilisation est soumise aux deux conditions suivantes : [1] cet appareil ne doit pas causer d'interférences nuisibles ; et [2] cet appareil doit pouvoir accepter toute interférence reçue, incluant des interférences qui pourraient causer un fonctionnement indésirable.

 **MISE EN GARDE !** Cet équipement a été testé et déclaré conforme aux limites d'un appareil numérique de classe B, conformément à la Section 15 des règlements de la FCC. Ces limites sont conçues pour fournir une protection raisonnable contre les interférences nuisibles dans une installation résidentielle. Cet équipement génère, utilise et peut émettre de l'énergie radioélectrique et, s'il n'est pas installé et utilisé conformément aux instructions, peut causer des interférences nuisibles aux communications radio. Cependant, il n'y a aucune garantie que des interférences ne surviendront pas dans une installation spécifique. Si cet équipement provoque des interférences nuisibles à la réception des signaux de radio ou de télévision (on peut déterminer cela en éteignant et rallumant l'équipement), l'utilisateur est encouragé à essayer de corriger l'interférence par une ou plusieurs des mesures suivantes:

- Réorienter ou déplacer l'antenne de réception.
- Augmenter la distance séparant l'équipement et le récepteur.
- Brancher l'équipement dans une prise sur un circuit différent de celui auquel le récepteur est branché.
- Consulter le détaillant ou un technicien radio/télévision expérimenté pour obtenir de l'aide.


Appareil de classe B (équipement de diffusion et de communication pour la maison) :

 **MISE EN GARDE !** Cet équipement est un équipement à usage domestique émettant des ondes électromagnétiques (classe B) convenant à un usage domestique.

DÉCLARATION DE CONFORMITÉ AVEC L'ENVIRONNEMENT : Johnson Outdoors Marine Electronics, Inc. entend agir en de façon responsable, et respecter la réglementation environnementales connues et applicables et la politique de bon voisinage des communautés où elle fabrique et vend ses produits.

DIRECTIVE DEEE : La directive EU 2002/96/CE sur les « déchets d'équipements électriques et électroniques (DEEE) » concerne la plupart des distributeurs, vendeurs et fabricants d'équipements électroniques grand public dans l'Union européenne. La directive DEEE requiert que le producteur d'équipements électroniques grand public prenne en charge la gestion des déchets de leurs produits et mettent en oeuvre leur élimination en respectant l'environnement, pendant le cycle de vie du produit.

Il est possible que la conformité à la directive DEEE ne soit pas requise sur le site pour les équipements électriques et électroniques (EEE), ou pour les équipements EEE conçus et destinés à des installations temporaires ou fixes sur les véhicules de transport tels que les automobiles, les aéronefs ou les bateaux. Dans certains pays membres de l'Union européenne, ces véhicules n'entrent pas dans le domaine d'application de la directive, et les EEE pour ces applications peuvent être considérés exclus de la conformité à la directive WEEE.

 Ce symbole (poubelle DEEE) figurant sur le produit indique qu'il ne doit pas être mis au rebut avec les autres déchets ménagers. Il doit être éliminé et recueilli pour le recyclage et la récupération des équipements EEE à mettre au rebut. Johnson Outdoors Marine Electronics, Inc. marque tous les produits EEE conformément à la directive DEEE. Notre but est de respecter les directives sur la collecte, le traitement, la récupération et la mise au rebut de ces produits en respectant l'environnement ; ces exigences varient toutefois d'un état membre à l'autre de l'Union européenne. Pour obtenir d'autres renseignements sur les sites d'élimination des déchets d'équipements en vue de leur recyclage et de leur récupération et/ou sur les exigences des états membres de l'Union européenne, renseignez-vous auprès du distributeur ou du lieu d'achat de votre produit.