



TRANSOM TRANSDUCER Installation Guide

532239-5_C

The transom mount installation allows adjustment of both running angle and depth after the transducer is mounted, which enables you to tune the installation for best results.

 **NOTE:** Due to the wide variety of hulls, only general instructions are presented in this installation guide. Each boat hull represents a unique set of requirements that should be evaluated prior to installation. For detailed information about installing transducers on different hull types, download the Transducer Installation Resource Guide from our Web site at humminbird.johnsonoutdoors.com.

 **NOTE:** Your transducer may not look exactly like the transducer shown in the illustrations, but it will mount in exactly the same way.

INSTALLATION PREPARATION

Install the control head before you start the transducer installation. See the control head installation guide.

Review your boat manufacturer's owner's manual for recommended transducer installation locations and cable routing methods. You will also need your transom angle.

Read and understand your boat's warranty before starting this installation.

Read the instructions in this guide completely and understand the mounting guidelines before beginning this installation.

Visit our Web site at humminbird.johnsonoutdoors.com for additional information and resources for transducer installations. Also, visit youtube.com/humminbirdtv for informational videos.

Confirm your boat is level for the installation.

Consider your speed requirements.

Traveling over 65 mph with the transducer in the water is not recommended with the XNT 9 SI 180 T, XNT 9 DB 74 T, XNT 14 74 T, and XNT 9 MSI 150 T transducers, as damage may occur. If speed above 65 mph is critical, see the FAQ [Frequently Asked Questions] section of our Web site at humminbird.johnsonoutdoors.com.

Supplies: In addition to the supplied hardware, you will need a powered hand drill and various drill bits, various hand tools, including a ruler or straightedge, a level, a socket driver, marker or pencil, safety glasses and dust mask, marine-grade silicone sealant, dielectric grease [optional], and a 12" plumb line [weighted string or monofilament line [optional]]. You may also need extension cables and hardware for routing the cable to the control head.

INSTALLATION OVERVIEW

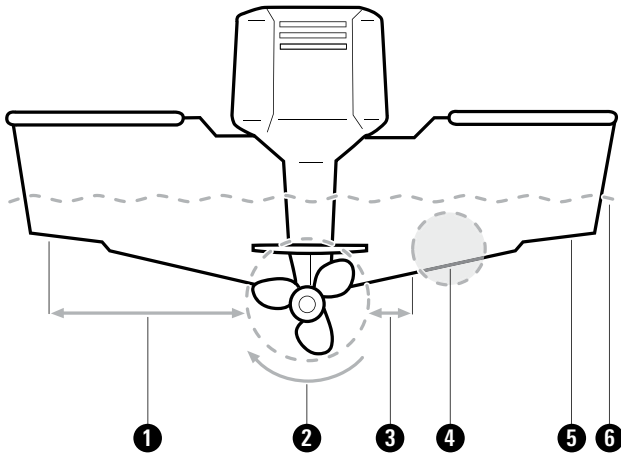
New Installation: Proceed to the section *Turbulence-Free Mounting Guidelines*.

Previously-installed Transducer: If you have a previously-installed XNT transducer on the transom, the bracket in this installation kit can be installed in the same location using the following instructions:

1. Line up the metal bracket with the previously-used mounting holes to confirm that the two slot holes match the previous installation. Fill any unused holes with marine-grade silicone sealant.
2. Confirm the boat is level [from port to starboard and from bow to stern].
3. Proceed to section **2. Assemble the Transducer and Initial Mounting**.

TURBULENCE-FREE MOUNTING GUIDELINES

It is very important to locate the transducer in an area that is relatively free of turbulent water. Consider the following to find the best location with the least amount of turbulence:



- 1** **Avoid areas where there is turbulent water flow.** Turbulent water is normally confined to areas immediately aft of ribs, strakes, or rivets on the bottom of the boat, and in the immediate area of the propeller[s]. The best way to locate turbulence-free water is to view the transom while the boat is moving.
- 2** **Observe your propeller's direction of rotation** [in forward, as you're facing the stern of the boat from behind]. Clockwise propellers create more turbulence on the port side. Counterclockwise propellers create more on the starboard side.
- 3** **Ensure there is adequate distance from the propeller[s].** On outboard or inboard/outboard boats, it is best to locate the transducer at least 15" (38.1 cm) to the side of the propeller[s].
- 4** **The ideal mounting location [right of the propeller[s]].** It is important to note that if you plan to trailer your boat, do not mount the transducer too close to trailer bunks or rollers to avoid moving or damaging the transducer during loading and unloading of the boat.
- 5** **For boats with stepped hulls,** it may be possible to mount the transducer on the step. Do not mount the transducer on the transom behind a step to avoid popping the transducer out of the water at higher speeds.
- 6** **The transducer must be mounted so that it is parallel with the waterline, but fully submerged in the water during operation.**
- 7** **If you have a Side Imaging® transducer,** the transducer must NOT have anything obstructing the 'view' of the side looking beams. For example, nothing can be in the line of sight of these beams [not a hull, motor, or other transducer, etc.]

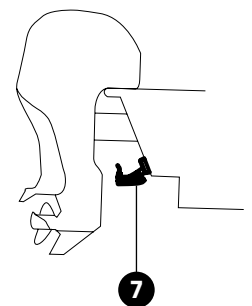


NOTE: You may need to tilt the motor up and out of the way when using the side looking beams.

Deadrise: The hydrodynamic shape of your transducer allows the sonar beams to point down without deadrise adjustment.

1 | Prepare the Mounting Location

1. Confirm the boat is level on the trailer [both from port to starboard and from bow to stern].
2. Hold the mounting bracket against the transom of the boat in the location you have selected.
Align the bracket horizontally, using the level. Make sure that the lower corner of the bracket does not protrude past the bottom of the hull.



Unobstructed View: This jack plate installation gives the transducer safe distance from the motor and turbulence. The Side Imaging has a clear view side-to-side.

TRANSOM TRANSDUCER Installation Guide

- Refer to the minimum clearance requirement between the bottom of the bracket and the bottom of the transom for your boat type below:

1/4" [6 mm] clearance for fiberglass boats

1/8" [3 mm] clearance for aluminum boats

NOTE FOR ALUMINUM BOATS: For flat-bottomed aluminum boats, some additional adjustment may be needed to accommodate the rivets on the bottom of the boat (the gap may need to be a little smaller than 1/8"). This will help you to avoid excessive turbulence at high speeds.

If your propeller moves clockwise, mount the transducer on the starboard side, and align the bottom right corner of the mounting bracket with the bottom of the boat. If your propeller moves counterclockwise, mount the transducer on the port side, and align the bottom left corner of the mounting bracket with the bottom of the boat.

- Continue to hold the bracket on the transom of the boat, and use a pencil or marker to mark the two initial drill holes [see *Using the Mounting Bracket to Mark the Initial Drill Holes*]. Mark the drill holes near the top of each slot, making sure that your mark is centered in the slot.

NOTE: The third hole should not be drilled until the angle and height of the transducer is finalized, which you will not do until a later procedure.

- Confirm that the drill bit is perpendicular to the actual surface of the transom, [NOT parallel to the ground], before you drill. Using a 5/32" [4 mm] bit, drill the two holes only to a depth of approximately 1" [25.4 mm].

NOTE FOR FIBERGLASS HULLS: It is best to start with a smaller bit and use progressively larger drill bits to reduce the chance of chipping or flaking the outer fiberglass coating.

2 | Assemble the Transducer and Initial Mounting

You will initially assemble the transducer and the pivot arm by matching the two ratchets to a numbered position on the transducer knuckle, then mount it and make adjustments to its position without locking it in place.

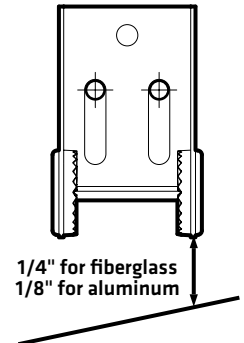
- If your transom is angled at 14 degrees [a common transom angle for many boats], use position 1 for the ratchets.
 - If you have a different transom angle or do not know your transom angle, refer to the Transducer Installation Resource Guide on our Web site at humminbird.johnsonoutdoors.com for detailed instructions.
- Place the two ratchets, one on either side of the transducer knuckle, so that the beads on each ratchet line up with the desired position number on the knuckle [see *Installing the Ratchets in Position 1*]. If you are setting the ratchets at position 1, the beads on each ratchet will line up with the rib on the transducer knuckle to form one continuous line on the assembly.

NOTE: The ratchets are keyed. Make sure that the square teeth on each ratchet face the square teeth on the transducer knuckle, and the triangular teeth face outward.

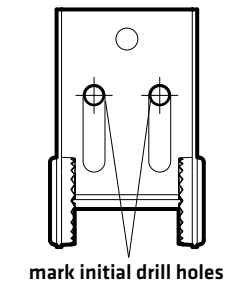
- Hold the ratchets on the transducer knuckle until it snaps into place with the other hand. Refer to the illustration *Fitting the Pivot Arm over the Ratchet*.
- Install the pivot bolt with the rubber washers and flat washers as shown in the illustration *Installing the Pivot Bolt*. Install the nylock nut, but do NOT fully tighten it at this time.

CAUTION! Do not use a high speed driver on this combination of fasteners. **Hand-tighten only.**

Using the Mounting Bracket to Mark the Initial Drill Holes

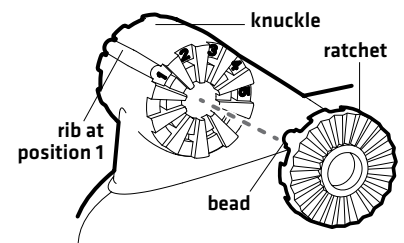


1/4" for fiberglass
1/8" for aluminum

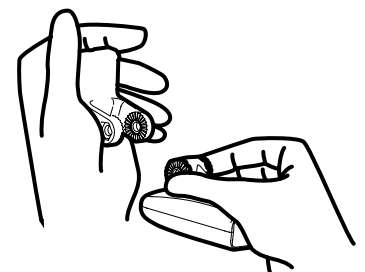


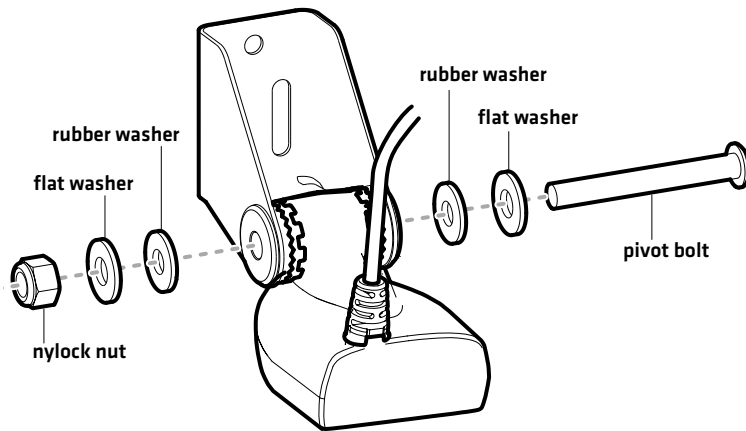
mark initial drill holes

Installing the Ratchets in Position 1



Fitting the Pivot Arm over the Ratchet



Installing the Pivot Bolt


- Align the mounting bracket transducer assembly with the drilled holes in the transom. With a 5/16" [8 mm] socket driver, mount the assembly to the transom using the two #10 - 1" [25.4 mm] long screws provided. **Hand-tighten only!**

NOTE: Make sure that the mounting screws are snug, but do not fully tighten the mounting screws at this time to allow the transducer assembly to slide for adjustment purposes.

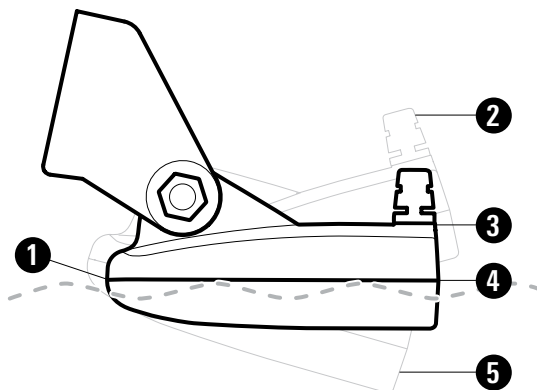
3 | Confirm the Mounting Angle

You will need to adjust the initial angle of the transducer both vertically and horizontally to confirm the transducer mounting angle.

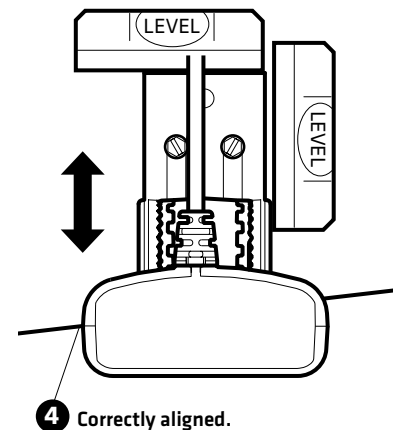
- Adjust the transducer assembly vertically, until the seam on the leading edge of the transducer [see **1** below] is level and just slightly below the hull.
- Adjust the initial angle of the transducer from back to front until the side seam on the transducer is almost parallel with the bottom of the boat, one click at a time in either direction [see *Adjusting the Initial Transducer Angle*].

Downward Slant: The transducer has a natural downward slant of 4 to 5 degrees from leading edge [closest to the boat transom] to trailing edge [farthest away from the boat]. Looking at the back of the transducer, the seam should be slightly below the bottom of the hull.

Down Imaging® Transducers: A downward slant is not required for Down Imaging Transducers. Adjust the running angle so that the transducer is parallel to the water and submerged in the water.

Adjusting the Initial Transducer Angle


- 1** Leading edge [the edge closest to the transom of the boat].
- 2** One click too high: the transducer is tilted out of the water and cannot maintain a sonar signal.

Adjusting the Transducer Mounting Position


TRANSOM TRANSDUCER Installation Guide

532239-5_C

- 3 Trailing edge [the edge farthest away from the boat].
 - 4 **Correctly aligned:** the transducer side seam is parallel with the water line.
 - 5 **One click too low:** the deeper the transducer is in the water, the more likely that a rooster tail of spray will be generated at high speeds. You also risk the transducer being struck and damaged by objects in the water, so make sure that the transducer is as high as it can be and still be submerged in the water.
3. Continue to adjust until the transducer assembly until the bracket is also level from port to starboard [horizontally level as you look at the transducer from behind the boat] [see *Adjusting the Horizontal Transducer Angle*].
 4. Once finalized, mark the correct position on the transom by tracing the silhouette of the transducer mounting bracket with a pencil or marker.
 5. Tighten the pivot bolt, using the nylock nut to lock the assembly. **Hand-tighten only!**
- ⚠ CAUTION!** Do not use a high speed driver on this combination of fasteners. Hand-tighten only.
6. Hand-tighten the two mounting screws.

✍ NOTE: You will drill the third mounting hole and finalize the installation after you route the cable and test and finish the installation in the following procedures.

4 | Route the Cable

You can route the cable **over the transom** or **through a hole in the transom above the waterline**. Your boat may have a pre-existing wiring channel or conduit that you can use to route the cable. Select the routing method that is best for your boat configuration, and purchase any extension cables, cable clips, clamps, etc. as needed.

- It is best to route the cable to the side of the transducer so the transducer will not damage the cable during movement.
- The transducer can pivot up to 90 degrees in the bracket. Allow enough slack in the cable for this movement.
- **If you drill any holes, fill them with marine-grade silicone sealant.**
- **Excess Cable:** If there is excess cable that needs to be gathered at one location, dress the cable routed from both directions so that a single loop is left extending from the storage location. Doubling the cable up from this point, form the cable into a coil. Storing excess cable using this method can reduce electronic interference.

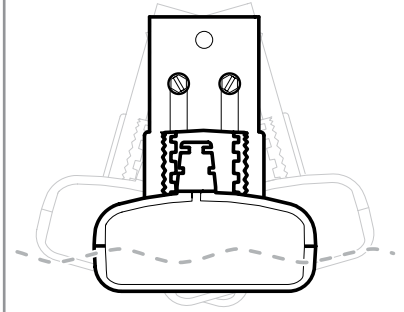
⚠ CAUTION! Do not cut or shorten the transducer cable, and try not to damage the cable insulation. Route the cable as far as possible from any VHF radio antenna cables or tachometer cables to reduce the possibility of interference. If the cable is too short, extension cables are available to extend the transducer cable up to a total of 50'. For assistance, contact Humminbird® Technical Support.

⚠ CAUTION! Do NOT mount the cables where the connectors could be submerged in water or flooded. If cables are installed in a splash-prone area, it may be helpful to apply dielectric grease to the inside of the connectors to prevent corrosion. Dielectric grease can be purchased separately from a general hardware or automotive store.

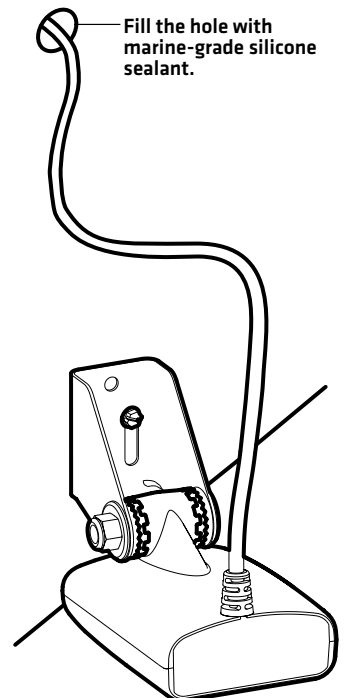
5 | Connect the Cable

1. Connect the transducer cable to the transducer port on the control head.
The connector is keyed to prevent reversed installation, and insertion should be easy. Do not force the connectors into the ports.

Adjusting the Horizontal Transducer Angle



Routing the Cable



TRANSOM TRANSDUCER Installation Guide

532239-5_C

If the cable connector is round, hand-tighten the screw nut to secure the cable connection. Hand-tighten only!

Refer to your control head installation guide for additional details.

6 | Test and Finish the Installation

Once you have installed the control head, the transducer, and have routed all the cables, you must perform a final test before locking the transducer in place.

Testing should be performed with the boat in water deeper than 2 feet. The transducer should be fully submerged because the sonar signal cannot pass through air.

WARNING! The transducer must be fully submerged in water during operation because the sonar signal cannot pass through air. Air pinging can damage the transducer.

Test the Transducer Installation on the Control Head

1. Press the POWER key to turn on the control head.
If the transducer is detected, the control head will start Normal mode.
2. Select a Sonar View to display on-screen.
HELIX®: Press and hold the VIEW key. Select Sonar > Sonar View.
APEX/SOLIX®: Press the HOME key. Select a Sonar View.
Other: See your control head operations manual.
3. If the bottom is visible on-screen with a digital readout for Depth, the unit is working properly. Gradually increase the boat speed to test high-speed performance. If the unit functions well at low speeds, but begins to skip or miss the bottom at higher speeds, the transducer requires adjustment.

NOTE: Down Imaging transducers provide the maximum detail at slower boat speeds, however high speed performance is available in the Down Imaging and traditional 2D sonar views.

4. If you have the correct angle set on the transducer, yet lose a bottom reading at high speed, adjust the height and the running angle in small increments to give you the ideal transducer position for your boat. First, adjust the height in small increments.
5. If you are still not getting good high speed readings, you may need to disassemble the transducer mounting assembly and re-position the ratchets.

If you do change the transducer position, re-trace the position of the mounting bracket before proceeding.

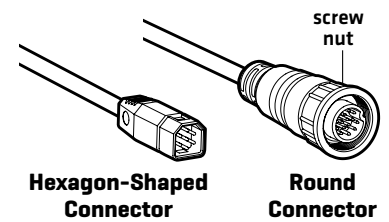
NOTE: It is often necessary to make several incremental transducer adjustments before optimum high speed performance is achieved. Due to the wide variety of boat hulls, however, it is not always possible to obtain high speed depth readings.

Finalize the Transducer Installation

Once you have reached a consistently good sonar signal at the desired speeds, you are ready to lock down the transducer settings.

6. Re-align the mounting bracket against the transom of the boat to match the traced silhouette. Check the bracket position with the level again to make sure it is still level, then mark the third mounting hole using a pencil or marker.
7. Unscrew and remove the mounting screws and the transducer assembly and set aside.
8. Drill the third mounting hole, using a 5/32" [4 mm] drill bit.
9. Use a marine-grade silicone sealant to fill all three drilled mounting holes, especially if the holes penetrated the transom wall.

Transducer Connectors



TRANSOM TRANSDUCER Installation Guide

532239-5_C

10. Re-position the transducer assembly against the transom of the boat, then hand-install all three screws. Make sure that the transducer location and the pivot angle have not changed, then fully tighten all three mounting screws. **Hand-tighten only!**

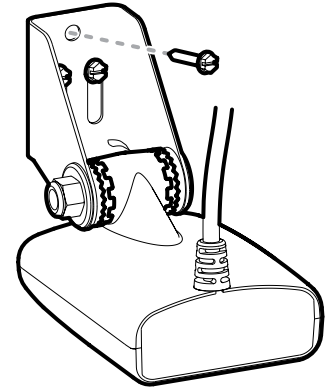
If you have performed the preceding procedures correctly, the transducer should be level and at the right height for optimal operation.

SETTING UP AN ACCESSORY TRANSDUCER ON THE CONTROL HEAD

The control head will automatically select the transducer that was included with your control head. If a compatible accessory transducer is connected, you will need to set the transducer type on the control head. When you select the transducer type, the related views and menus will be added to the system.

- For additional configuration information, download the control head operations manual from our Web site at humminbird.johnsonoutdoors.com.

**Fully Tightening All Three
Mounting Screws
(Hand-tighten only!)**



MAINTENANCE

If your transducer remains in the water for long periods of time, slush, algae and other marine growth can reduce the effectiveness of the transducer. Periodically clean the face of the transducer with a mild, marine-safe and plastic-safe soap or solution.

If your transducer remains out of the water for a long period of time, it may take some time to wet the transducer after it is returned to the water. Small air bubbles can cling to the surface of the transducer and interfere with proper operation. These bubbles will dissipate with time, or you may wipe the face of the transducer with your fingers after the transducer is in the water.

Contact Humminbird

Contact Humminbird Technical Support through our Help Center at <https://humminbird-help.johnsonoutdoors.com/hc/en-us> or by writing to the address below:

Humminbird Service Department
678 Humminbird Lane
Eufaula, AL 36027 USA



WARNING! Disassembly and repair of this electronic unit should only be performed by authorized service personnel. Any modification of the serial number or attempt to repair the original equipment or accessories by unauthorized individuals will void the warranty.



WARNING! The transducer must be fully submerged in water during operation because the sonar signal cannot pass through air. Air pinging can damage the transducer.



NOTE: Download Humminbird installation guides and operations manuals from our Web site at humminbird.johnsonoutdoors.com.



NOTE: Product specifications and features are subject to change without notice.

ENVIRONMENTAL COMPLIANCE STATEMENT: It is the intention of Johnson Outdoors Marine Electronics, Inc. to be a responsible corporate citizen, operating in compliance with known and applicable environmental regulations, and a good neighbor in the communities where we make or sell our products.

WEEE DIRECTIVE: EU Directive 2002/96/EC "Waste of Electrical and Electronic Equipment Directive [WEEE]" impacts most distributors, sellers, and manufacturers of consumer electronics in the European Union. The WEEE Directive requires the producer of consumer electronics to take responsibility for the management of waste from their products to achieve environmentally responsible disposal during the product life cycle.

WEEE compliance may not be required in your location for electrical & electronic equipment (EEE), nor may it be required for EEE designed and intended as fixed or temporary installation in transportation vehicles such as automobiles, aircraft, and boats. In some European Union member states, these vehicles are considered outside of the scope of the Directive, and EEE for those applications can be considered excluded from the WEEE Directive requirement.




This symbol [WEEE wheelee bin] on product indicates the product must not be disposed of with other household refuse. It must be disposed of and collected for recycling and recovery of waste EEE.


Johnson Outdoors Marine Electronics, Inc. will mark all EEE products in accordance with the WEEE Directive. It is our goal to comply in the collection, treatment, recovery, and environmentally sound disposal of those products; however, these requirements do vary within European Union member states. For more information about where you should dispose of your waste equipment for recycling and recovery and/or your European Union member state requirements, please contact your dealer or distributor from which your product was purchased.

TRANSDUCTEUR TRANSOM Guide d'Installation

532239-5_C

L'installation sur le tableau arrière permet l'ajustement de l'angle de marche et de la profondeur une fois le transducteur monté, ce qui vous permet d'ajuster l'installation pour obtenir de meilleurs résultats.

 **REMARQUE :** En raison de la grande variété de coques, nous ne présentons dans cette notice que des directives d'installation générales. Chaque bateau présente des exigences particulières qu'il faut évaluer avant l'installation. Pour obtenir des informations détaillées sur l'installation de transducteurs sur différents types de coque, téléchargez le Guide des ressources d'installation des transducteurs sur notre site Web humminbird.johnsonoutdoors.com.

 **REMARQUE :** L'apparence de votre transducteur peut être différente de celles des transducteurs illustrés. Le montage est toutefois exactement le même.

PRÉPARATION DE L'INSTALLATION

Installez la tête de commande avant de commencer l'installation du transducteur. Consultez le guide d'installation de la tête de commande.

Consultez le manuel du propriétaire de votre bateau pour connaître les emplacements d'installation des transducteurs recommandés et les méthodes d'acheminement des câbles. Vous aurez également besoin de votre angle de traverse.

Lisez et comprenez la garantie de votre bateau avant de commencer cette installation.

Lisez les instructions dans ce guide de transducteur complètement à comprendre les directives de montage avant de commencer l'installation.

Visitez notre site Web à humminbird.johnsonoutdoors.com pour plus d'informations et de ressources sur les installations de transducteurs. Visitez également [youtube.com/humminbirdtv](https://www.youtube.com/humminbirdtv) pour obtenir des vidéos d'information.

Confirmez que votre bateau est à niveau pour l'installation.

Tenez compte de vos exigences de vitesse.

Voyager à plus de 65 km / h avec le transducteur dans l'eau n'est pas recommandé avec les transducteurs XNT 9 SI 180 T, XNT 9 DB 74 T, XNT 14 74 T et XNT 9 MSI 150 T, car ils peuvent être endommagés. Si la vitesse au-delà de 105 km/h [65 mph] est critique, consultez la section FAQ [Foire aux questions] de notre site Web à l'adresse humminbird.johnsonoutdoors.com.

Matériel : En plus du matériel fourni, vous aurez besoin d'une perceuse électrique et de forets, ainsi que de divers outils à main, dont une règle ou règle d'ajusteur, un niveau, une clé à douille, un marqueur ou crayon, des lunettes de sécurité, un masque antipoussières, un agent d'étanchéité à base de silicone de qualité marine, la graisse diélectrique [facultatif], et un fil à plomb 12 po [fil ayant une extrémité pesée ou ligne monofilament] [facultatif]. Vous pouvez aussi avoir besoin de câbles d'extension et de matériel pour la pose du câble à la tête de commande.

APERÇU DE L'INSTALLATION

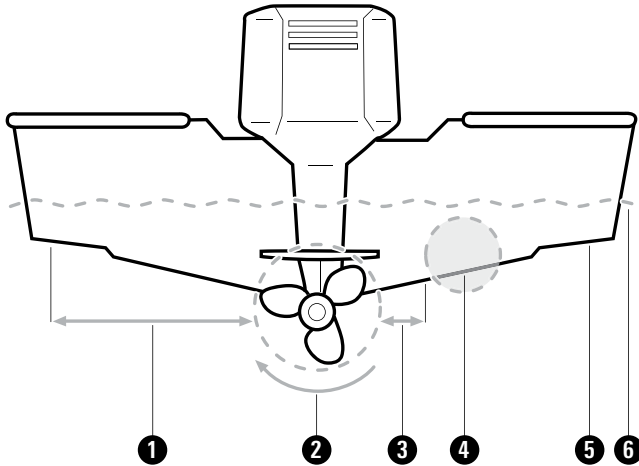
Nouvelle installation : Passez à la section *Directives de montage sans turbulence*.

Transducteur XNT installé précédemment : Si un transducteur XNT était précédemment installé sur le tableau arrière, le support inclus dans cette trousse d'installation peut être installé au même emplacement en suivant les instructions suivantes :

1. Alignez le support en métal sur les trous de montage existants pour confirmer que les trous correspondent à ceux de l'installation précédente. Remplissez tous les trous inutilisés avec un agent d'étanchéité de qualité marine.
2. Assurez-vous que le bateau est de niveau sur la remorque, tant de bâbord à tribord que de la poupe à la proue, en plaçant un niveau sur le pont du bateau, dans une direction d'abord, puis dans l'autre.
3. Passez à la section **2. Assemblage du transducteur et montage initial**.

DIRECTIVES DE MONTAGE SANS TURBULENCE

Il est très important de positionner le transducteur à un endroit relativement libre de turbulences. Tenez compte des facteurs suivants pour déterminer l'emplacement où il y aura le moins de turbulences.

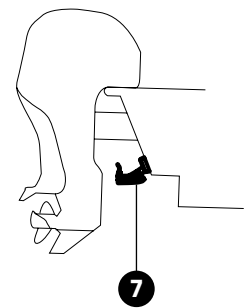


- 1 Évitez les zones où il y a un écoulement d'eau turbulent.** Eau turbulente se limitent normalement aux zones situées directement à l'arrière des membrures, virures ou rangées de rivets sous le bateau et dans la zone immédiate de l'hélice [des hélices]. La meilleure façon de localiser un emplacement libre de turbulences est de regarder le tableau arrière lorsque le bateau se déplace.
- 2 Observez le sens de rotation de votre hélice** [en marche avant, lorsque, situé à l'arrière du bateau, vous faites face à la poupe]. Les hélices à rotation horaire créent plus de turbulences à bâbord. Les hélices antihoraire créent plus sur le côté tribord.
- 3 Assurez-vous qu'il y a une distance suffisante par rapport à l'hélice[s].** Sur les bateaux munis d'un moteur hors-bord ou semi-hors-bord, il vaut mieux placer le transducteur à une distance d'au moins 380 mm [15 po] à côté de l'hélice [des hélices].
- 4 L'emplacement de montage idéal [à droite de l'hélice[s]].** Il est important de noter que si vous envisagez de remorquer votre bateau, ne montez pas le transducteur trop près des couchettes ou des rouleaux de la remorque pour éviter de déplacer ou d'endommager le transducteur pendant le chargement et le déchargement du bateau.
- 5 Sur les bateaux ayant une coque à décrochement,** il est possible de monter le transducteur sur le décrochement. Ne montez pas le transducteur sur le tableau arrière, derrière un décrochement, sinon le transducteur pourrait émerger de l'eau à haute vitesse.
- 6 Le transducteur doit être monté de manière à être parallèle à la ligne de flottaison, mais complètement immergé dans l'eau pendant le fonctionnement.**
- 7 Si vous avez un transducteur à imagerie latérale,** il ne doit y avoir AUCUN obstacle obstruant les faisceaux latéraux, c'est-à-dire que rien ne doit se trouver dans le champ d'action de ces faisceaux [pas de coque, moteur, autre transducteur, etc.].



REMARQUE : Vous pourriez avoir à incliner le moteur vers le haut et hors du champ d'action des faisceaux latéraux lorsque vous les utilisez.

Relevé de varangue : La forme hydrodynamique du transducteur lui permet de pointer directement vers le bas, sans qu'il soit nécessaire de régler l'angle de relevé de varangue.



Vue dégagée : La plaque de la prise donne au transducteur une distance sécurisée loin du moteur et de ses turbulences. L'imagerie latérale dispose d'une vue dégagée d'un côté à l'autre.

1 | Préparation de l'emplacement de montage

1. Assurez-vous que le bateau est de niveau sur la remorque, [tant de bâbord à tribord que de la poupe à la proue].
2. Maintenez le support de montage contre le tableau arrière du bateau, à l'endroit déterminé au préalable.

Alignez le support horizontalement à l'aide du niveau. Assurez-vous que le coin inférieur du support ne dépasse pas du fond de la coque.

3. Reportez-vous à l'exigence de dégagement minimum entre le bas du support et le bas du tableau arrière pour votre type de bateau ci-dessous :

6 mm [1/4 po] pour fibre de verre

3 mm [1/8 po] pour aluminium

REMARQUE POUR LES BATEAUX EN ALUMINIUM : Si vous avez un bateau en aluminium à fond plat, certains réglages additionnels pourraient s'avérer nécessaires pour composer avec les rivets au fond du bateau [c'est-à-dire que l'écart pourrait devoir être d'un peu moins que 3 mm [1/8 po]]. Cela vous aidera à réduire les turbulences à grande vitesse.

Si votre hélice tourne dans le sens horaire, montez le transducteur à tribord, puis alignez le coin inférieur droit du support de montage avec le fond du bateau. Si votre hélice tourne dans le sens antihoraire, montez le transducteur à bâbord, puis alignez le coin inférieur gauche du support de montage avec le fond du bateau.

4. Continuez à maintenir le support sur le tableau arrière du bateau, and use puis servez-vous d'un crayon ou d'un marqueur pour marquer l'emplacement des deux trous de montage [voir **Utilisation du support de montage pour marquer les trous à percer initialement**]. Marquez les trous à percer près du haut de chaque fente, en vous assurant que la marque est centrée dans la fente.

REMARQUE : Vous ne devriez pas percer le troisième trou avant d'avoir déterminé la position angulaire et en hauteur finale du transducteur, que vous déterminerez au cours d'une procédure ultérieure.

5. Assurez-vous, avant de percer, que le foret de la perceuse est perpendiculaire à la surface du tableau arrière, et NON parallèle au sol. À l'aide d'un foret de 4 mm [5/32 po], percez seulement deux trous, d'une profondeur approximative de 25,4 mm [1 po].

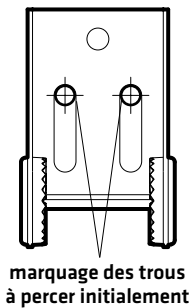
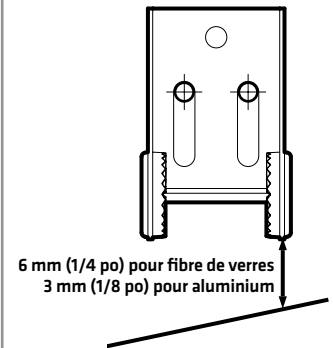
REMARQUE POUR LES COQUES EN FIBRE DE VERRE : Pour les coques en fibre de verre, il vaut mieux commencer avec un foret d'un diamètre plus petit et utiliser des forets d'un diamètre plus grand par la suite, afin de réduire les chances d'écailler le revêtement extérieur.

2 | Assemblage du transducteur et montage initial

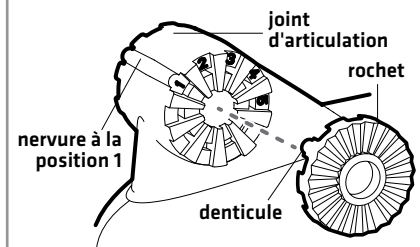
Vous assemblerez initialement le transducteur et le bras de pivot en appariant les deux mécanismes à rochet à une position numérotée sur le joint d'articulation du transducteur, puis le monterez et ajusterez sa position sans le bloquer en place.

- 1a. Si le tableau arrière est à un angle de 14 degrés [un angle commun pour le tableau arrière de nombreux bateaux], réglez les mécanismes à rochet à la position 1.
 - 1b. Si vous avez un angle de traverse différent ou ne connaissez pas votre angle de traverse, reportez-vous au Guide de ressources d'installation du transducteur sur notre site Web à humminbird.johnsonoutdoors.com pour obtenir des instructions détaillées.
2. Placez les deux mécanismes à rochet de chaque côté du joint d'articulation du transducteur, de façon à ce que les denticules de chaque mécanisme à rochet s'alignent à la position numérotée voulue du joint d'articulation [voir **Installation des rochets en position 1**]. Si vous réglez les mécanismes à rochet à la position 1, les denticules de chaque mécanisme à rochet s'aligneront avec la nervure du joint d'articulation du transducteur pour former une ligne continue dans l'assemblage.

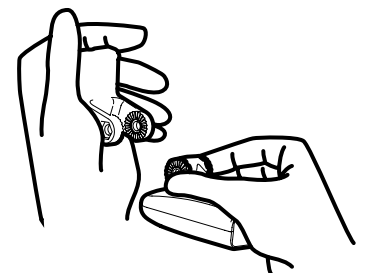
Utilisation du support de montage pour marquer les trous à percer initialement



Installation des rochets en position 1



Montage du bras pivot sur les mécanismes à rochet



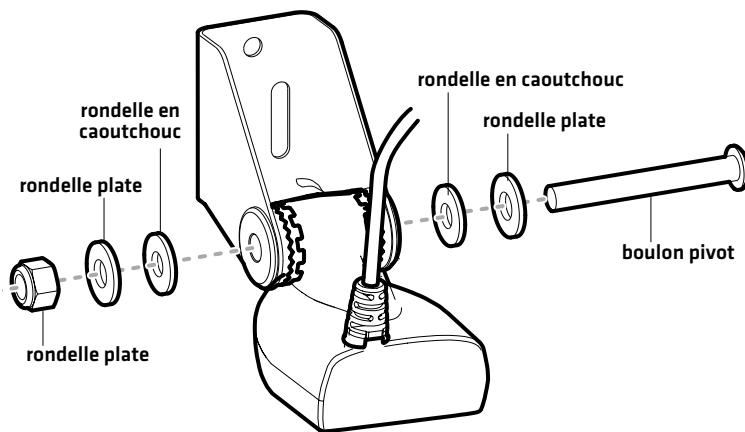
TRANSDUCTEUR TRANSOM Guide d'Installation

532239-5_C

REMARQUE : Les mécanismes à rochet sont clavetés. Assurez-vous que les dents carrées de chaque mécanisme à rochet s'imbriquent dans celles du joint d'articulation du transducteur et que les dents triangulaires font face vers l'extérieur.

- Maintenez les mécanismes à rochet sur le joint d'articulation du transducteur d'une main et, de l'autre main, montez sous pression le bras de pivot sur les mécanismes à rochet. Reportez-vous à l'illustration *Montage du bras pivot sur les mécanismes à rochet*.
- Installez le boulon pivot avec les rondelles en caoutchouc et les rondelles plates, comme indiqué dans l'illustration *Installation du boulon pivot*. Installez l'écrou à frein élastique, mais ne le serrez PAS encore.

MISE EN GARDE ! Ne pas utiliser de visseuse à grande vitesse avec cet ensemble de dispositifs de fixation. **Serrer à la main seulement.**

Installation du boulon pivot


- Alignez le support de montage du transducteur avec les trous percés dans le tableau arrière. À l'aide d'un tournevis à douille de 8 mm [5/16 po], montez l'ensemble au tableau arrière avec les deux longues vis n° 10 - 25,4 mm [1 po] fournies. **Serrez la vis à la main seulement !**

REMARQUE : Assurez-vous que les vis de montage maintiennent le support en place, mais ne les serrez pas à fond pour le moment afin de permettre à l'ensemble transducteur de glisser à des fins d'ajustement.

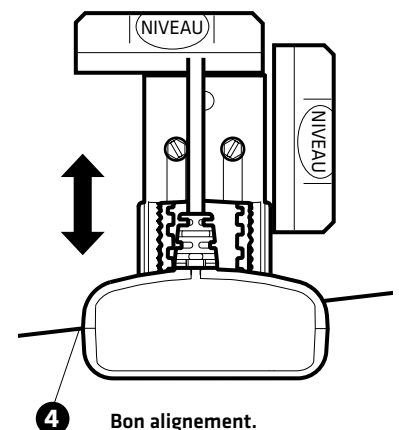
3 | Confirmer l'angle de montage

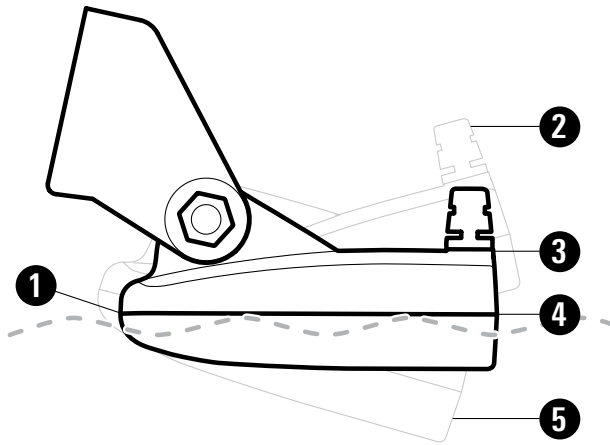
Vous devrez ajuster l'angle initial du transducteur à la fois verticalement et horizontalement pour confirmer l'angle de montage du transducteur.

- Régalez la position verticale de l'ensemble transducteur de façon à ce que la ligne de joint du bord d'attaque du transducteur [voir **1** ci-dessous] soit de niveau et juste un peu plus bas que la coque.
- Régalez l'angle initial du transducteur d'arrière en avant en le faisant pivoter, un clic à la fois, dans une direction ou l'autre, jusqu'à ce que la ligne de joint latérale du transducteur soit presque parallèle avec le fond du bateau. [voir *Ajustement de l'angle initial du transducteur*].

Inclinaison vers le bas : Il existe une déclivité naturelle de 4 à 5 degrés du bord d'attaque au bord de fuite du transducteur. D'un point de vue situé à l'arrière du transducteur, la ligne de joint devrait être légèrement sous le fond de la coque.

Transducteurs à imagerie de fond : Aucune inclinaison vers le bas n'est requise pour les transducteurs à imagerie de fond. Ajustez l'angle de fonctionnement de sorte que le transducteur soit parallèle à l'eau et immergé dans l'eau.

Ajustement de l'emplacement de montage du transducteur


Ajustement de l'angle initial du transducteur


- 1** Bord d'attaque [le bord le plus près du tableau arrière du bateau].
- 2** Un clic trop haut : le transducteur est incliné hors de l'eau et ne peut pas maintenir un signal sonar.
- 3** Bord de fuite [bord le plus éloigné du bateau].
- 4** Bon alignement : la couture latérale du transducteur est parallèle à la ligne d'eau.
- 5** Un clic trop bas : plus le transducteur est submergé profondément dans l'eau, plus grande est la probabilité qu'il laisse un sillage important à grande vitesse. Vous risquez également que le transducteur soit heurté et endommagé par des objets dans l'eau, assurez-vous que le transducteur se situe aussi haut que possible, tout en restant submergé, pour réduire cet effet.

3. Continuez à ajuster jusqu'à ce que le support soit aussi de niveau, de bâbord à tribord [de niveau à l'horizontale, d'un point de vue situé derrière le bateau] [voir **Réglage de l'angle du transducteur horizontal**].

4. Une fois finalisé, marquez la bonne position sur le tableau arrière en traçant le contour du support de montage du transducteur à l'aide d'un crayon ou d'un marqueur.

5. Serrez le boulon pivot à l'aide de l'écrou à frein élastique pour bloquer l'assemblage. **Serrez la vis à la main seulement !**

⚠ MISE EN GARDE! Ne pas utiliser de visseuse à grande vitesse avec cet ensemble de dispositifs de fixation. Serrer à la main seulement.

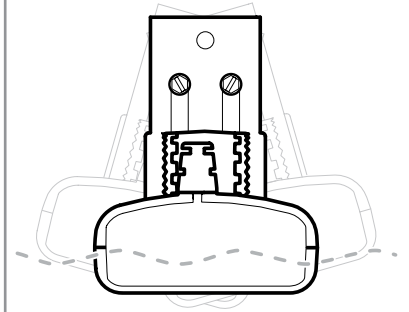
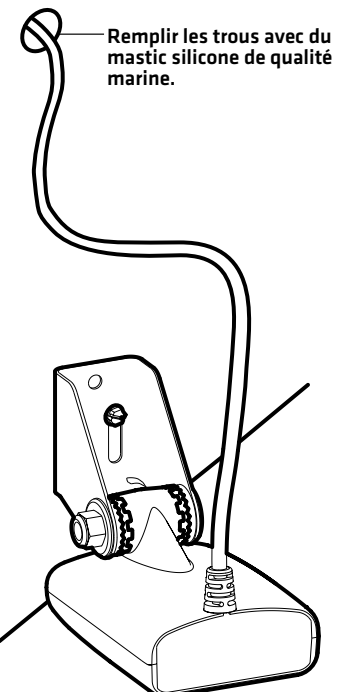
6. Serrez les deux vis de montage à la main.

REMARQUE : Vous percerez le troisième trou de montage et complétez l'installation après avoir acheminé le câble et effectué des essais dans les procédures suivantes.

4 | Acheminement du câble

Vous pouvez faire passer le câble par **dessus le tableau arrière du bateau** ou **à travers un trou dans le tableau ci-dessus la ligne de flottaison**. Il se peut que votre bateau soit déjà muni d'une canalisation ou conduite de câblage, que vous pourriez utiliser pour acheminer le câble du transducteur. Sélectionnez la méthode de routage qui est le mieux pour la configuration de votre bateau, et acheter de câbles d'extension, des serre-câbles, pinces, etc, si nécessaire.

- Il vaut mieux acheminer le câble à côté du transducteur afin que le transducteur ne l'endommage pas lors du déplacement du bateau.
- Le transducteur peut pivoter d'un angle maximal de 90 degrés sur le support. Laissez assez de mou dans le câble pour accommoder ce mouvement.

Réglage de l'angle du transducteur horizontal

Acheminement du câble


TRANSDUCTEUR TRANSOM Guide d'Installation

- Si vous percez des trous, les remplir avec du mastic silicone de qualité marine.
- **Câble excédentaire** : Si le câble est un peu long et que vous devez ranger l'excédent quelque part, placez le câble que vous aurez tiré des deux directions de façon à ne former qu'une seule boucle. Doublez le câble à partir de ce point et enroulez-le en spirale. Le fait de ranger l'excès de câble de cette manière peut contribuer à réduire les interférences électroniques.

⚠ MISE EN GARDE ! Ne coupez pas le câble du transducteur pour le raccourcir et essayez de ne pas endommager le revêtement isolateur du câble. Gardez le câble le plus à l'écart possible de tout câble d'antenne de radio VHF ou de câble de tachymètre, afin de limiter les possibilités d'interférence. Si le câble du transducteur est trop court, vous pouvez vous procurer des rallonges pour le prolonger jusqu'à une longueur totale de 15 m [50 pi]. Pour obtenir de l'aide, communiquez avec le support technique Humminbird.

⚠ MISE EN GARDE ! Ne montez PAS les câbles dans un endroit où les connecteurs pourraient être submergés. Si les câbles sont installés dans une zone où des éclaboussures sont possibles, il est préférable d'appliquer de la graisse diélectrique sur l'intérieur des connecteurs pour éviter la corrosion. Vous pouvez acheter la graisse diélectrique séparément dans une quincaillerie ou un magasin d'équipement automobile.

5 | Branchement du câble

1. Branchez le câble de la sonde au port de transducteur sur la tête de commande.

Le connecteur est claveté afin de prévenir une installation inversée. L'insertion devrait être aisée. Ne forcez pas les connecteurs dans les ports.

Si le connecteur de câble est rond, serrez l'écrou à la main pour sécuriser le branchement. Serrez la vis à la main seulement !

Consultez votre commande guide d'installation de la tête pour plus de détails.

6 | Essais et fin de l'installation

Lorsque vous avez terminé l'installation de la tête de commande et du transducteur et que vous avez acheminé tous les câbles, vous devez effectuer des essais avant de bloquer le transducteur en position.

Essais doivent être effectués bateau dans les eaux profondes de 60 cm [2 pi] ou plus. Le transducteur doit être complètement immergée car le signal sonar ne peut pas passer à travers l'air.

⚠ AVERTISSEMENT ! Le transducteur doit être complètement submergé dans l'eau pendant le fonctionnement car le signal du sonar ne peut pas traverser l'air. Un cliquetis d'air peut endommager le transducteur.

Testez l'installation du transducteur sur la tête de commande

1. Appuyez sur la touche Mise en marche [POWER] une fois pour mettre la tête de commande en marche.

Le tête de commande active le mode de fonctionnement normal si un transducteur est détecté.

2. Sélectionnez une vue sonar à afficher à l'écran.

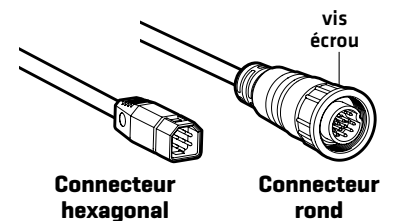
HELIX : Appuyez sur la touche AFFICHAGE et tenez-la enfoncée. Sélectionnez Sonar > Vue sonar.

APEX/SOLIX : Appuyez sur la touche Accueil. Sélectionnez une vue sonar.

Autre : Consultez le guide d'utilisation de votre tête de commande.

3. Si le fond et un indicateur numérique de la profondeur sont visibles à l'écran, c'est que l'appareil fonctionne adéquatement.


Connecteurs du transducteur



TRANSDUCTEUR TRANSOM Guide d'Installation


532239-5_C

Si l'appareil fonctionne correctement, augmentez progressivement la vitesse du bateau pour tester le rendement à grande vitesse. Si l'appareil fonctionne adéquatement à basse vitesse mais que la représentation du fond devient erratique à vitesse plus élevée, il faut ajuster la position du transducteur.

 **REMARQUE :** Les transducteurs d'imagerie de fond offre un niveau de détail maximal à des vitesses plus basses, mais une performance à haute vitesse est disponible dans les vues d'imagerie de fond et sonar 2D traditionnelles.

4. Si l'angle du transducteur est bien réglé, mais que vous perdez la lecture du fond à grande vitesse, ajustez la hauteur et l'angle de marche progressivement afin d'obtenir la meilleure position de transducteur pour votre bateau. En premier lieu, ajustez graduellement la hauteur.
5. **Si vous n'obtenez toujours pas de bons résultats à grande vitesse**, vous pourriez avoir à démonter l'ensemble transducteur et à repositionner les mécanismes à rochet.

Si vous décidez de changer la position du transducteur, retracez au préalable la position du support de montage.

 **REMARQUE :** Il est souvent nécessaire d'effectuer plusieurs réglages incrémentaux du transducteur avant d'obtenir le meilleur rendement à grande vitesse. Toutefois, en raison de la grande variété de coques de bateaux, il n'est pas toujours possible d'obtenir de bonnes lectures du fond à grande vitesse.

Finaliser l'installation du transducteur

Lorsque vous aurez réussi à obtenir régulièrement de bons retours sonar aux vitesses désirées, vous serez prêt à bloquer les réglages du transducteur.

6. Réalignez le support de montage avec le contour tracé sur le tableau arrière du bateau. Vérifiez à nouveau la position du support à l'aide d'un niveau pour vous assurer qu'il est toujours de niveau, puis marquez l'emplacement du troisième trou de montage avec un crayon ou un marqueur.
7. Retirez les vis de montage et l'ensemble transducteur et mettez-les de côté pour l'instant.
8. Percez le troisième trou de montage à l'aide d'un foret de 4 mm [5/32 po].
9. Remplissez les trois trous de montage d'un agent d'étanchéité à base de silicone de qualité marine, surtout si les trous traversent le tableau arrière.
10. Remplacez l'ensemble transducteur sur le tableau arrière du bateau, puis serrez les vis de montage à la main. Assurez-vous que l'emplacement du transducteur et l'angle du pivot n'ont pas changé, puis serrez à fond les trois vis de montage. **Serrez la vis à la main seulement !**

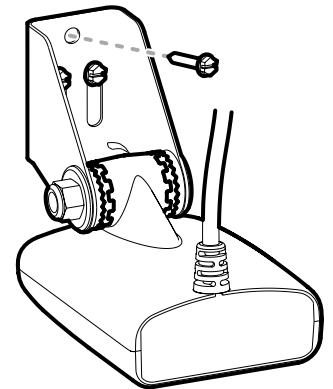
Si vous avez suivi les procédures précédentes correctement, le transducteur devrait être de niveau et à la bonne hauteur pour assurer son fonctionnement optimal.

CONFIGURER UN TRANSDUCTEUR ACCESSOIRE SUR LE TÊTE DE COMMANDE

La tête de commande sélectionnera automatiquement le transducteur livré avec votre tête de commande. Si un transducteur accessoire compatible est connecté à la tête de commande, configurez le type de transducteur dans le tête de commande comme suit. Lorsque vous sélectionnez le type de transducteur, les vues et menus associés sont ajoutés au système.

- Pour plus d'informations sur la configuration, téléchargez le manuel d'utilisation de la tête de commande sur notre site Web humminbird.johnsonoutdoors.com.

Serrage entièrement toutes les trois vis de montage [Serrez à la main seulement!]



ENTRETIEN


Si le transducteur demeure à l'eau pendant de longues périodes, les salissures peuvent réduire l'efficacité du transducteur. Nettoyez périodiquement la façade du transducteur avec un savon ou liquide doux et sans danger pour le plastique et pour le milieu biologique marin.


Si le transducteur est sorti de l'eau pendant une période prolongée, il faut le laisser reposer un certain temps après l'avoir remis dans l'eau. De petites bulles d'air peuvent adhérer à la surface du transducteur et gêner son fonctionnement. Ces bulles se dissipent avec le temps; vous pouvez également essuyer la surface du transducteur avec les doigts après l'avoir remis dans l'eau.


Pour communiquer avec Humminbird


Contactez le support technique Humminbird via notre centre d'aide à l'adresse <https://humminbird-help.johnsonoutdoors.com/hc/en-us> ou en écrivant à l'adresse ci-dessous :

Humminbird Service Department
678 Humminbird Lane
Eufaula, AL 36027 USA

 **AVERTISSEMENT !** La réparation et/ou le démontage de cet appareil électronique doit être effectué uniquement par un personnel d'entretien autorisé. Toute modification du numéro de série et/ou réparation par un personnel non autorisé entraînera l'annulation de la garantie.

 **AVERTISSEMENT !** Le transducteur doit être complètement submergé dans l'eau pendant le fonctionnement car le signal du sonar ne peut pas traverser l'air. Un cliquetis d'air peut endommager le transducteur.


 **REMARQUE :** Les guides d'utilisation et d'installation sont téléchargeables sur notre site Web à l'adresse humminbird.johnsonoutdoors.com.

 **REMARQUE :** Les caractéristiques et spécifications de ce produit peuvent être modifiées sans préavis.

DÉCLARATION DE CONFORMITÉ AVEC L'ENVIRONNEMENT : Johnson Outdoors Marine Electronics, Inc. entend agir en de façon responsable, et respecter la réglementation environnementales connues et applicables et la politique de bon voisinage des communautés où elle fabrique et vend ses produits.

DIRECTIVE DEEE : La directive EU 2002/96/CE sur les « déchets d'équipements électriques et électroniques [DEEE] » concerne la plupart des distributeurs, vendeurs et fabricants d'équipements électroniques grand public dans l'Union européenne. La directive DEEE requiert que le producteur d'équipements électroniques grand public prenne en charge la gestion des déchets de leurs produits et mettent en oeuvre leur élimination en respectant l'environnement, pendant le cycle de vie du produit.

Il est possible que la conformité à la directive DEEE ne soit pas requise sur le site pour les équipements électriques et électroniques [EEE], ou pour les équipements EEE conçus et destinés à des installations temporaires ou fixes sur les véhicules de transport tels que les automobiles, les aéronefs ou les bateaux. Dans certains pays membres de l'Union européenne, ces véhicules n'entrent pas dans le domaine d'application de la directive, et les EEE pour ces applications peuvent être considérés exclus de la conformité à la directive WEEE.

 Ce symbole (poubelle DEEE) figurant sur le produit indique qu'il ne doit pas être mis au rebut avec les autres déchets ménagers. Il doit être éliminé et recueilli pour le recyclage et la récupération des équipements EEE à mettre au rebut. Johnson Outdoors Marine Electronics, Inc. marque tous les produits EEE conformément à la directive DEEE. Notre but est de respecter les directives sur la collecte, le traitement, la récupération et la mise au rebut de ces produits en respectant l'environnement ; ces exigences varient toutefois d'un état membre à l'autre de l'Union européenne. Pour obtenir d'autres renseignements sur les sites d'élimination des déchets d'équipements en vue de leur recyclage et de leur récupération et/ou sur les exigences des états membres de l'Union européenne, renseignez-vous auprès du distributeur ou du lieu d'achat de votre produit.