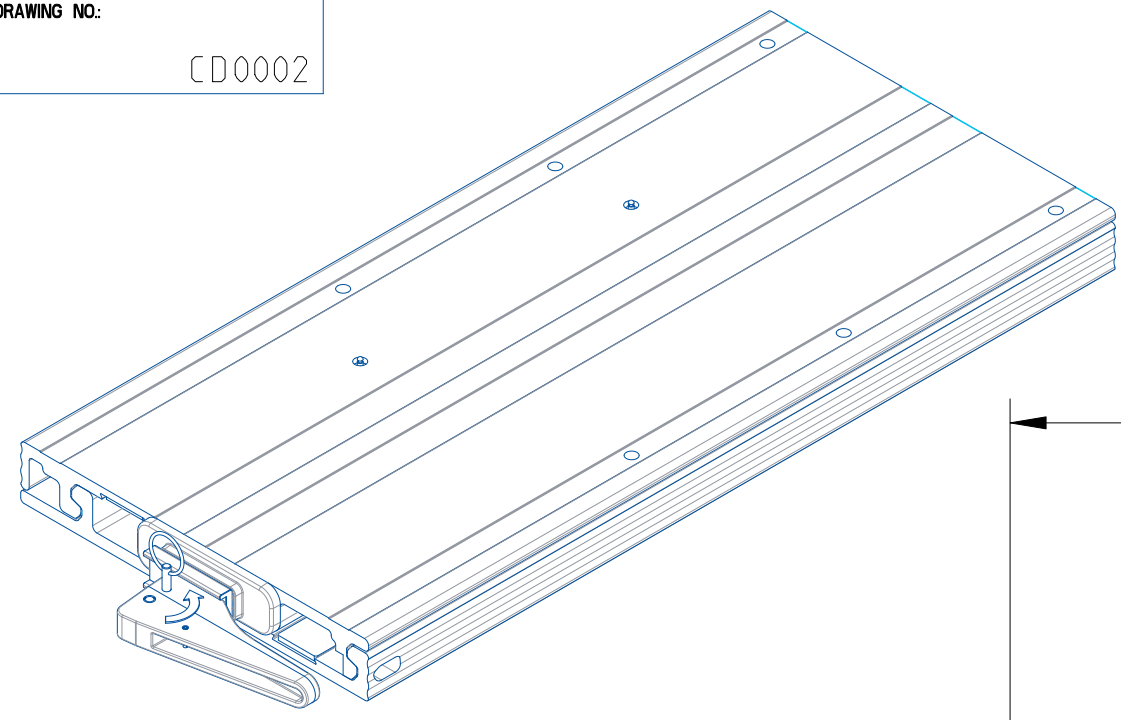


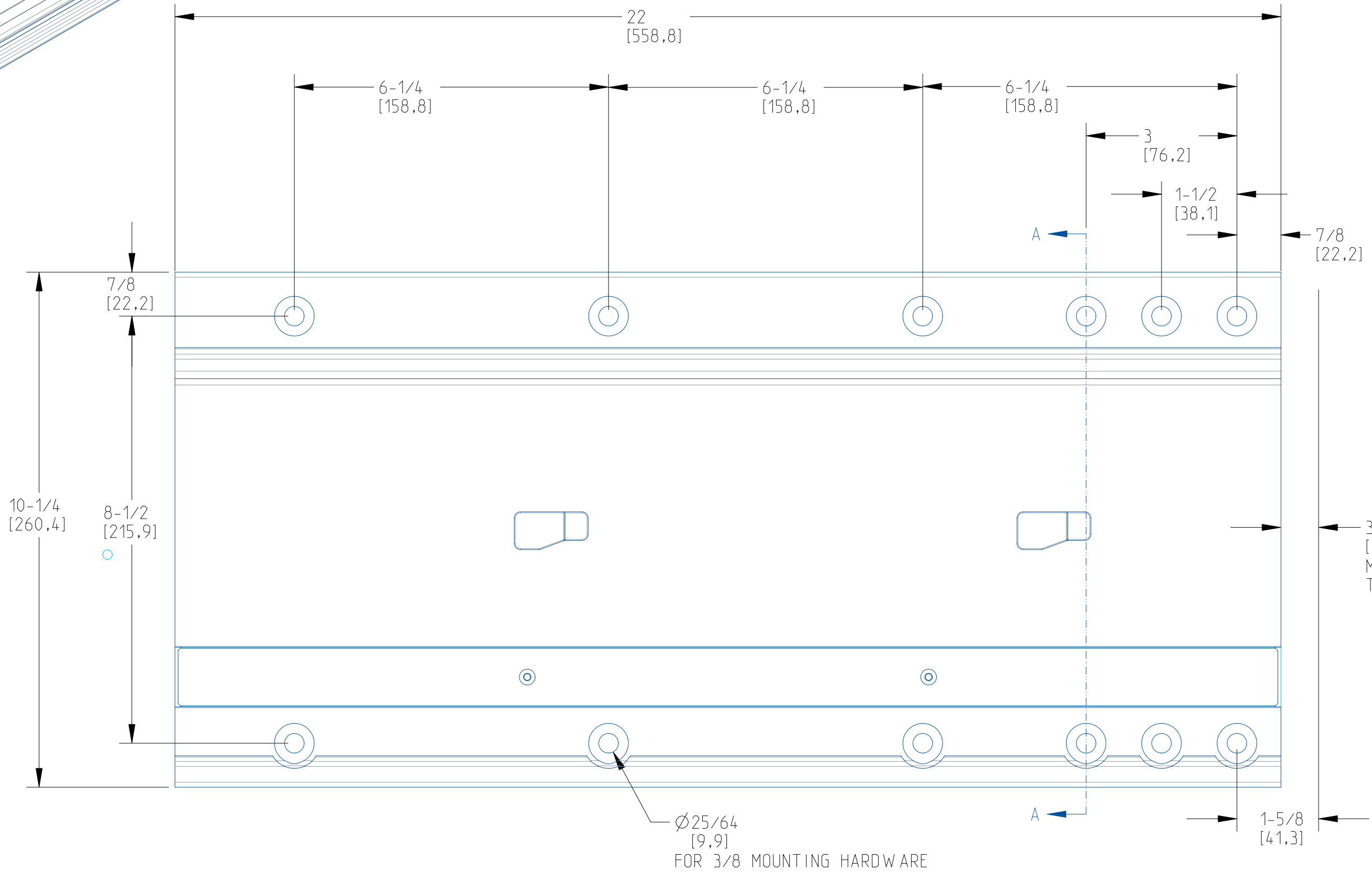
DRAWING NO:

CD0002



SCALE 0.250

REV.		ECN NO.		REVISIONS		BY	DATE
A		42389		RELEASE FOR PRODUCTION		JRL	16JUN2023



FASTENER HEAD TO BE FLUSH OR RECESSED FROM MOUNTING SURFACE WHEN INSTALLED

3/4 [19.1] MAXIMUM DISTANCE TO RUB RAIL

MUST USE COUNTERSUNK HEAD SCREWS WHEN MOUNTING BASE

Ø25/64 [9.9] FOR 3/8 MOUNTING HARDWARE

SECTION A-A

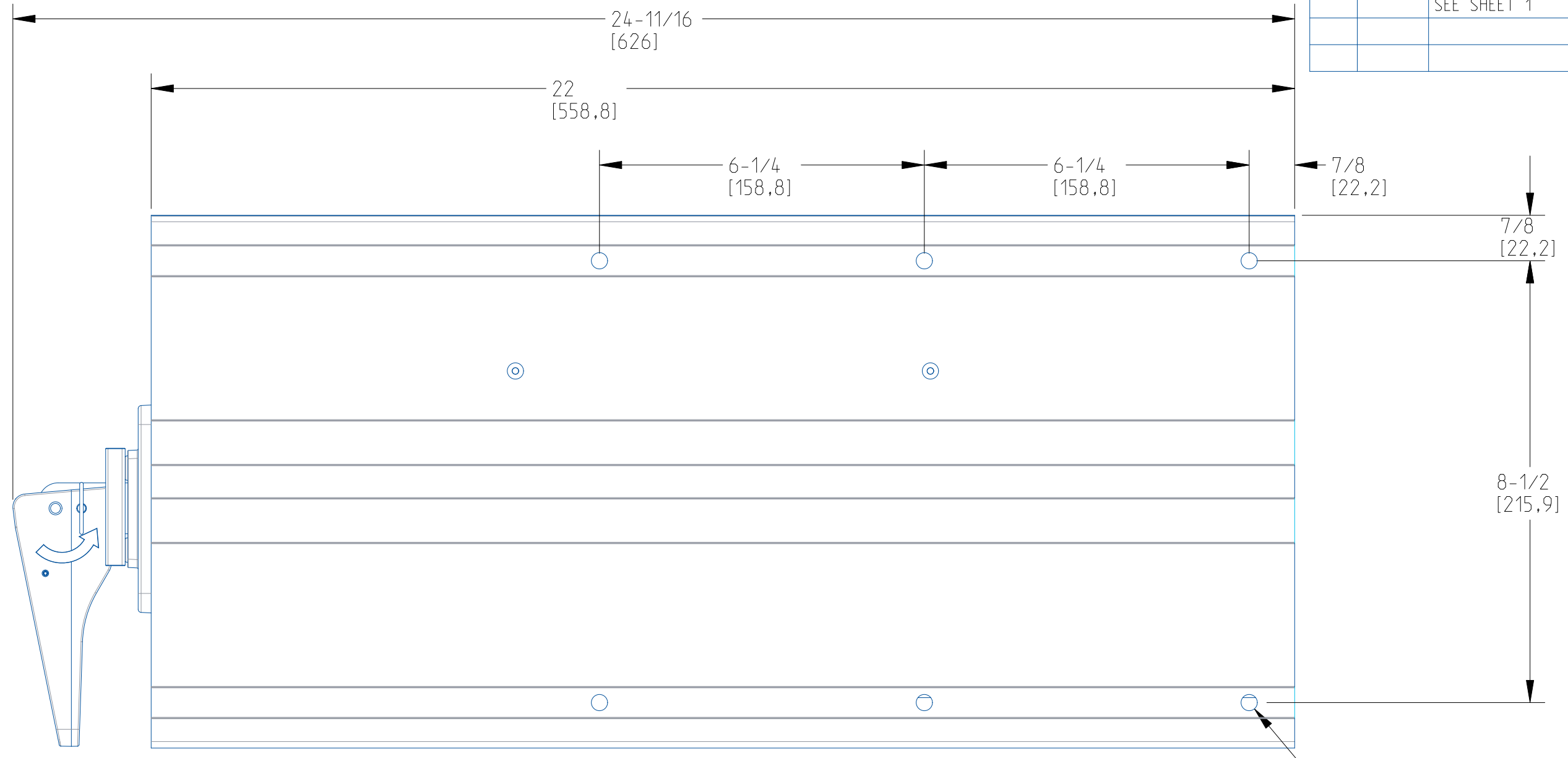
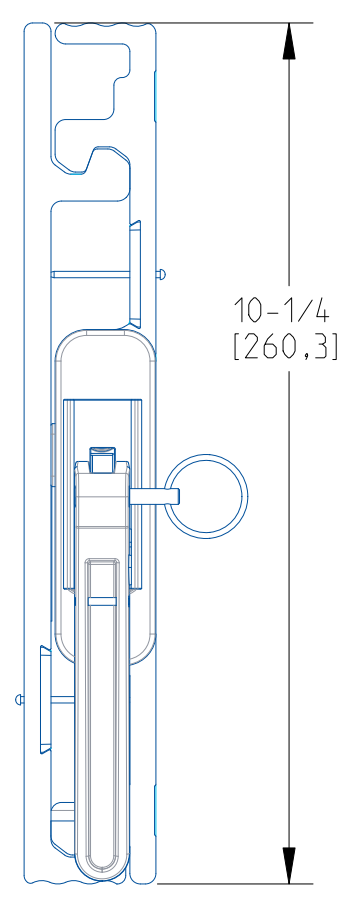


- NOTES:
- RECOMMENDED DRILL SIZE 13/32
 - MOUNTING FASTENERS TO BE MINNKOTA SUPPLIED 3/8-16 WITH COUNTERSUNK HEADS

CAUTION: ALWAYS WEAR SAFETY GLASSES AND GLOVES. DISCONNECT ALL POWER BEFORE BEGINNING ANY WORK OR MAINTENANCE. JOHNSON OUTDOORS INC. IS NOT RESPONSIBLE FOR ANY DAMAGE DUE TO IMPROPER RIGGING OR INSTALLATION. IF YOU DO NOT HAVE THE SKILLS, EXPERIENCE AND TOOLS TO PERFORM THE FOLLOWING MAINTENANCE AND REPAIRS, WE RECOMMEND YOU SEEK THE HELP OF AN AUTHORIZED SERVICE CENTER. OR CONTACT OUR TECHNICAL SERVICE DEPARTMENT BY DIALING 800-227-6433.

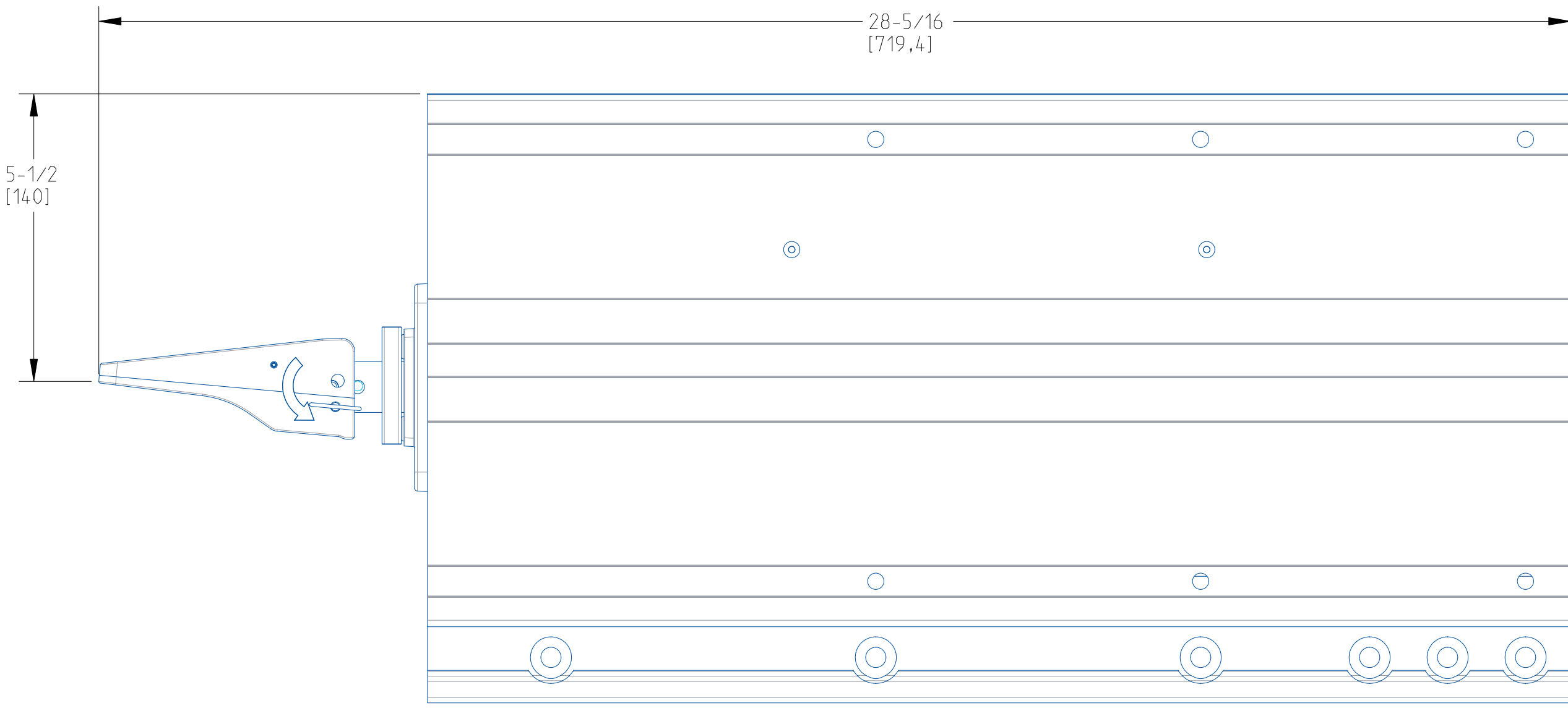
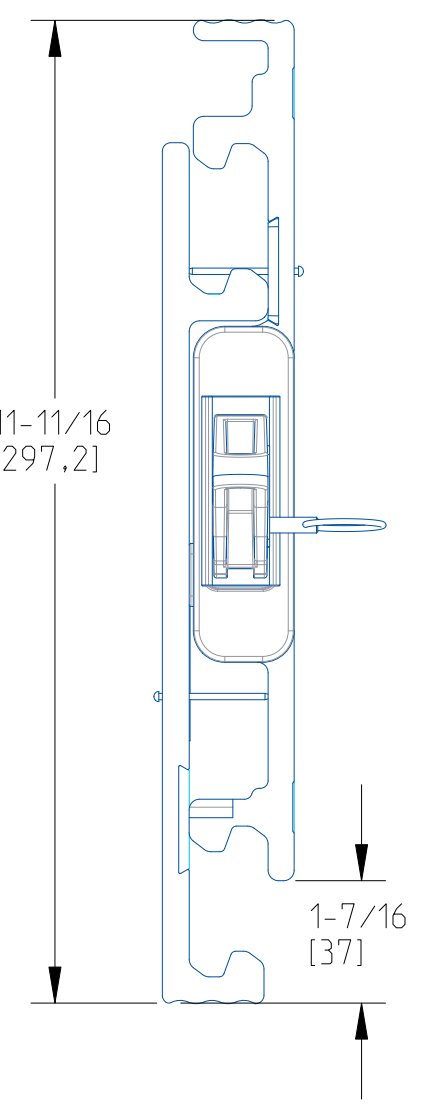
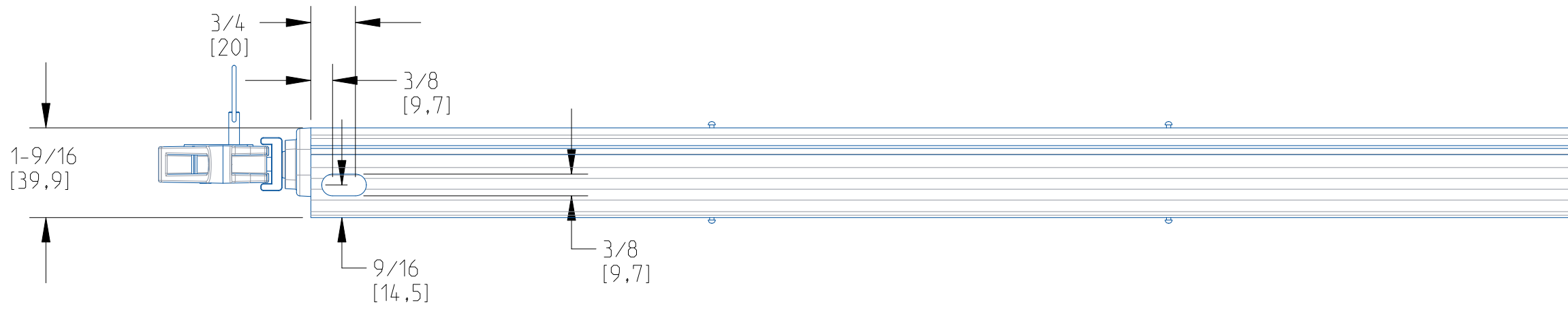
CUSTOMER DRAWING			
JOHNSON OUTDOORS MARINE ELECTRONICS, INC.			
DRAWING NAME:	1854057	U/M:	REV: A
DRAWING NO:	CD0002	IN.	

REVISIONS				
REV.	ECN NO.	DESCRIPTION	BY	DATE
		SEE SHEET 1		



LOCKED POSITION

MOTOR EXTRUSION MOUNT HOLES 3/8-16 ∇ 15/32 TAPPED

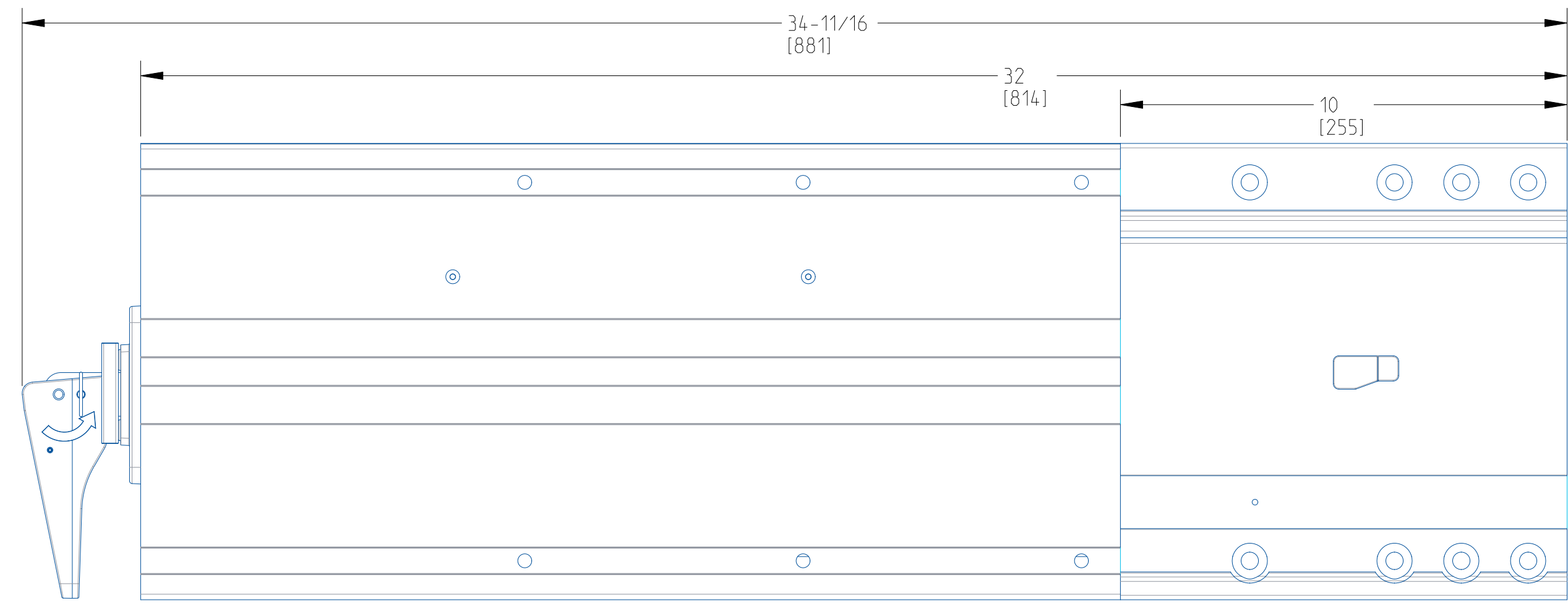
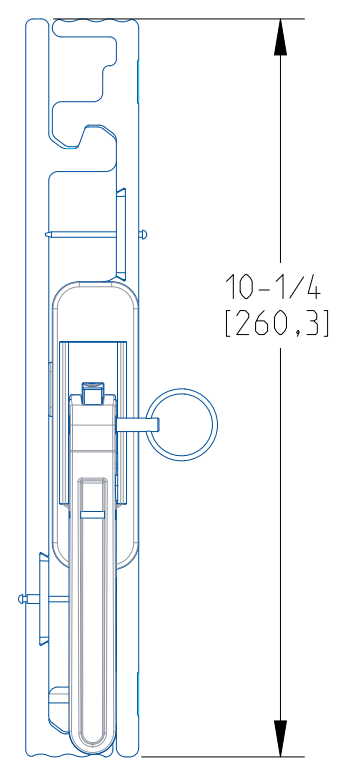


UNLOCKED POSITION
STORAGE POSITION
WITH HANDLE THROWN
TOP PLATE SLID FOR
CLEARANCE PURPOSES

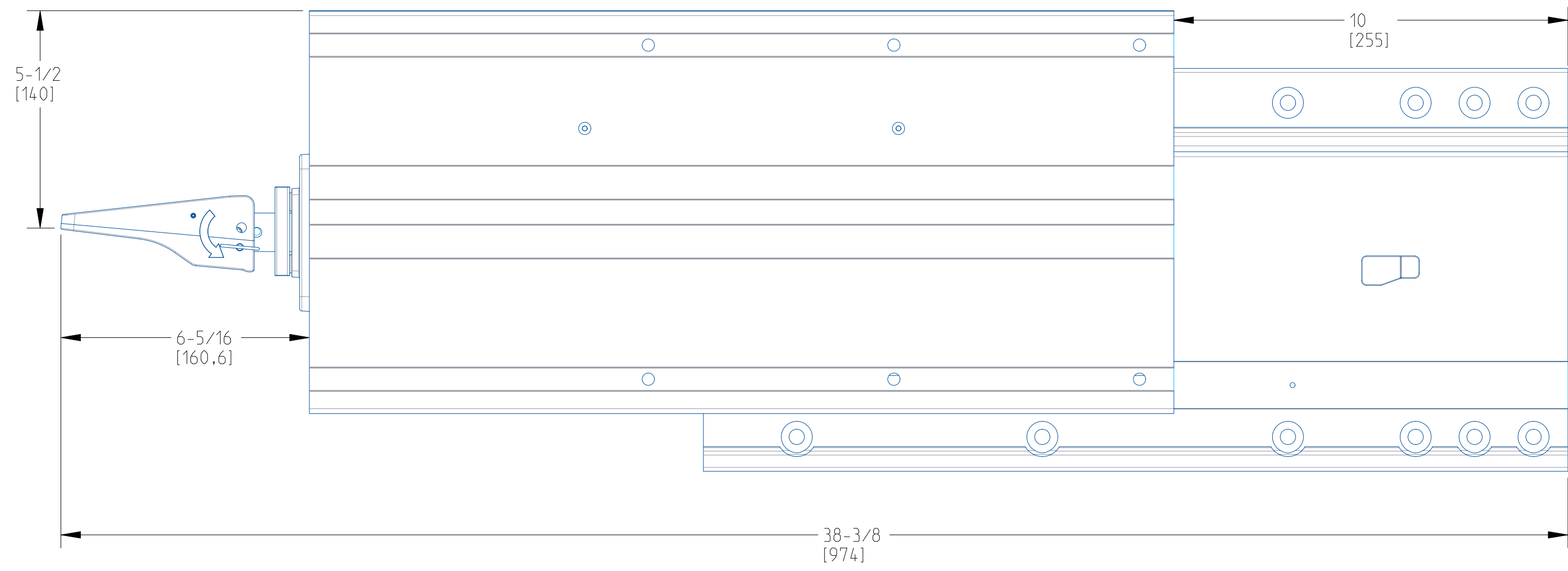
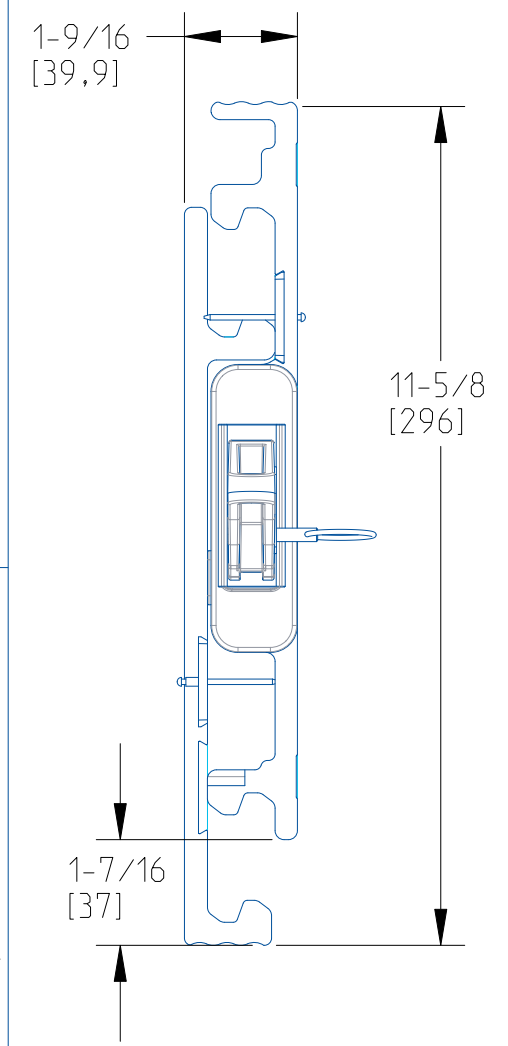
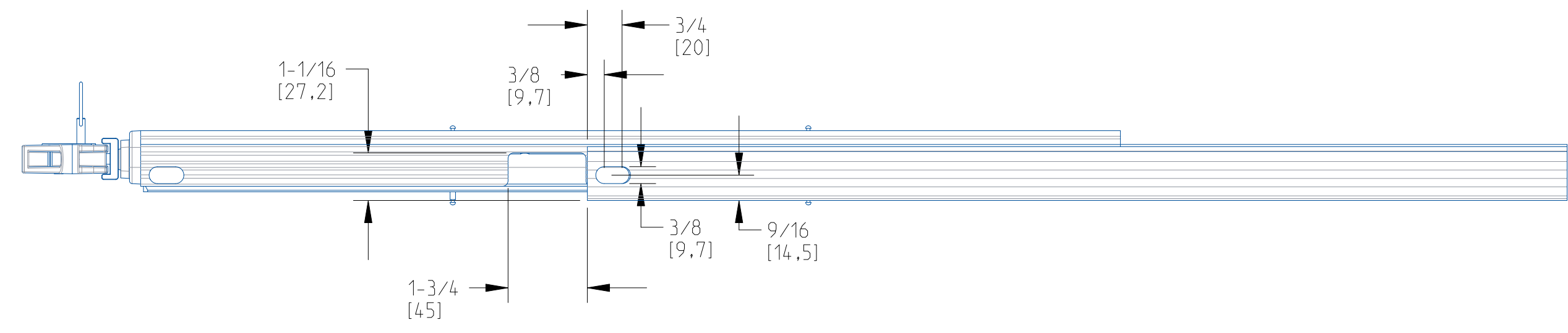
CAUTION: ALWAYS WEAR SAFETY GLASSES AND GLOVES. DISCONNECT ALL POWER BEFORE BEGINNING ANY WORK OR MAINTENANCE. JOHNSON OUTDOORS INC. IS NOT RESPONSIBLE FOR ANY DAMAGE DUE TO IMPROPER RIGGING OR INSTALLATION. IF YOU DO NOT HAVE THE SKILLS, EXPERIENCE AND TOOLS TO PERFORM THE FOLLOWING MAINTENANCE AND REPAIRS, WE RECOMMEND YOU SEEK THE HELP OF AN AUTHORIZED SERVICE CENTER. OR CONTACT OUR TECHNICAL SERVICE DEPARTMENT BY DIALING 800-227-6433.

CUSTOMER DRAWING			
JOHNSON OUTDOORS MARINE ELECTRONICS, INC.			
DRAWING NAME:	1854057	U/M:	REV: A
DRAWING NO:	CD0002	IN.	

REVISIONS				
REV.	ECN NO.	DESCRIPTION	BY	DATE
		SEE SHEET 1		



LOCKED STORAGE POSITION



UNLOCKED POSITION WITH HANDLE THROWN STORAGE POSITION TOP PLATE SLID FOR CLEARANCE PURPOSES

CUSTOMER DRAWING			
JOHNSON OUTDOORS MARINE ELECTRONICS, INC.			
DRAWING NAME:	1854057	U/M:	REV: A
DRAWING NO.:	CD0002	IN.	

CAUTION: ALWAYS WEAR SAFETY GLASSES AND GLOVES. DISCONNECT ALL POWER BEFORE BEGINNING ANY WORK OR MAINTENANCE. JOHNSON OUTDOORS INC. IS NOT RESPONSIBLE FOR ANY DAMAGE DUE TO IMPROPER RIGGING OR INSTALLATION. IF YOU DO NOT HAVE THE SKILLS, EXPERIENCE AND TOOLS TO PERFORM THE FOLLOWING MAINTENANCE AND REPAIRS, WE RECOMMEND YOU SEEK THE HELP OF AN AUTHORIZED SERVICE CENTER. OR CONTACT OUR TECHNICAL SERVICE DEPARTMENT BY DIALING 800-227-6433.