



# How to Retrofit Your Ocean Kayak for the Round Gaspachi® Hatch

If you have any questions or problems at any time during your installation, please give Ocean Kayak a call at 1-800-8-KAYAKS.

**Your kit will contain:** round hatch cover with a strap attached, (2) blind rivets, and (1) strap eye.

## Tools you will need:

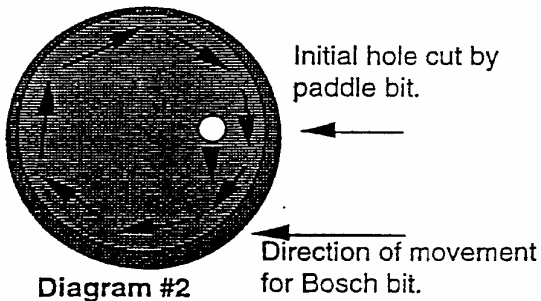
Option # 1 (easy way) – router, Bosch router bit # 85612, paddle bit, drill, and blind rivet gun\* .

Option # 2 (more challenging) – jigsaw with a fine plastic blade, drill, ¼” drill bit, 80 grit sandpaper, small Surform rasp, and blind rivet gun\* .

\* A regular rivet gun can be used. A wire cutter will be needed to cut off the aluminum piece that will be sticking up if a regular rivet gun is used.

## Installation Option # 1

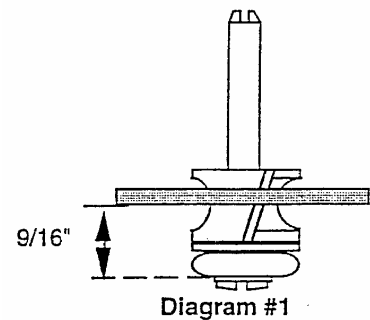
1. Cut a hole in the flat area of the hatch an inch from hatch rim using the drill with a paddle bit.
2. Install the Bosch router bit with the router platform 9/16” from the bottom of the bit (see diagram 1).



3. Insert the router in the hole and move toward the edge in a clockwise direction.

Moving the router steadily and smoothly, cut all the way around the hatch (see diagram 2).

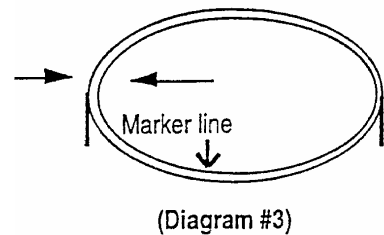
4. Check for smoothness on inside edge of hatch. Use the router again to smooth if needed.
5. Refer to page 2 for installation of the strap eye.



## Installation Option # 2

(has to be used to install the Oval Hatch onto the Malibu Two XL)

1. With a fine marker, draw a circle 3/8” inward from edge of hatch rim (see diagram 3).
2. Drill a ¼” hole at least 1” from the edge of the hatch rim.
3. With a plastic blade in jigsaw, cut along the marked line slowly and carefully all the way around.
4. Sand the rough edge smooth with the Surform rasp and 80 grit sandpaper.
5. Refer to page 2 for installation of the strap eye.



## Directions for Installation of the Strap Eye for all Round Gaspachi® Hatches

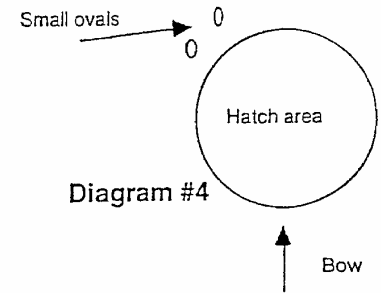
Once the strap eye is installed, there will be a place to hook the Gaspachi Hatch to the kayak so it doesn't get lost when you open the hatch or during transport.

**Tools you will need:** drill, blind rivet gun\*, and 3/16" drill bit.

\* A regular rivet gun can be used. A wire cutter will be needed to cut off the aluminum piece that will be left sticking up if a regular rivet gun is used.

### Instructions:

1. Locate the two small ovals near the hatch area. Refer to Diagram #4 for an example of where the small ovals are located. The ovals are located on the stern side of the hatch area on some models. Drill out the ovals.
2. Insert the rivets into the strap eye and then insert through the holes in the ovals onto the boat. Pop rivet the strap eye to the boat using a blind rivet gun.
3. Clip the leash from the Gaspachi hatch lid to the strap eye.

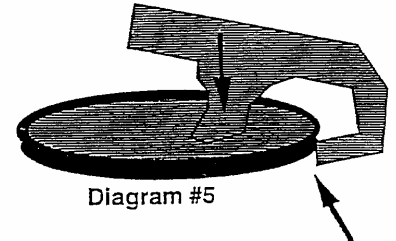


## How to Use Your Gaspachi Hatch

Note: The fit of the Gaspachi hatch is tight. A snug fit was our priority in the design of the hatch. If your hatch has never been on a boat, it will be more difficult to put on the first time. After 24 hours on the boat, the hatch conforms to the hatch rim and is much easier to pull on and off. It is also recommended you leave the hatch on the boat when the boat is being stored.

### To remove your Round Gaspachi Hatch:

1. Put your thumbs together and point them towards you. Push down with thumbs on the top of the hatch towards the edge furthest from you (see diagram #5).
2. Wrap your fingertips around the far side of the hatch, lift up and roll the edge back. Once a small area of the hatch cover is off the hatch lip, the hatch cover is easy to pull off.



### To Place Your Gaspachi Hatch Back On:

1. Hook one edge of the cover over the hatch opening. Push down on hooked edge with heels of both hands.
2. Round Hatch – While pushing down, work heels of hands around the edges in opposite directions until your hands meet again.
3. Check with the finger tips to make sure the lower edge of the hatch is even all the way around. If not, push the high spot down with the heel of your hand.

