

# PRECISION ONBOARD CHARGERS

MK106PC  
MK212PC  
MK230PC  
MK330PC  
MK440PC

MK110PC  
MK220PC  
MK318PC  
MK345PC  
MK460PC

USER MANUAL

# THANK YOU

Thank you for choosing Minn Kota. We believe that you should spend more time fishing and less time positioning your boat. That's why we build the smartest, toughest, most intuitive marine products on the water. Every aspect of a Minn Kota product is thought out and rethought until it's good enough to bear our name. Countless hours of research and testing provide you the advantages of a Minn Kota product that can truly take you "Anywhere. Anytime." We don't believe in shortcuts. We are Minn Kota. And we are never done helping you catch more fish.

## REMEMBER TO KEEP YOUR RECEIPT AND IMMEDIATELY REGISTER YOUR PRODUCT.

A registration card is enclosed or you can complete registration on our website at [minnkotamotors.com](http://minnkotamotors.com).

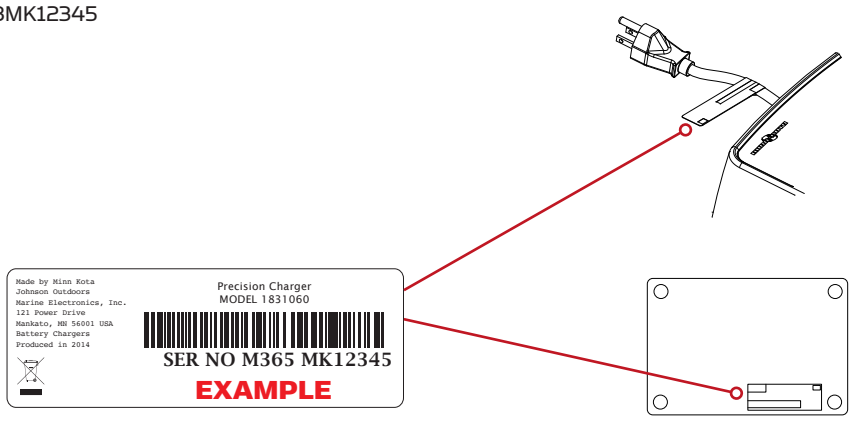
**NOTE:** Do not return your Minn Kota product to your retailer. Your retailer is not authorized to repair or replace this unit. You may obtain service by: calling Minn Kota at (800) 227-6433; returning your motor to the Minn Kota Factory Service Center; sending or taking your motor to any Minn Kota authorized service center. A list of authorized service centers is available on our website, at [minnkotamotors.com](http://minnkotamotors.com). Please include proof of purchase, serial number and purchase date for warranty service with any of the above options.

**Please thoroughly read this user manual.** Follow all instructions and heed all safety and cautionary notices below. Use of this motor is only permitted for persons that have read and understood these user instructions. Minors may use this motor only under adult supervision.

### LOCATING YOUR SERIAL NUMBER

Your Minn Kota 11-character serial number is very important. It helps to determine the specific model and year of manufacture. When contacting Consumer Service or registering your product, you will need to know your product's serial number. We recommend that you write the serial number down in the space provided below so that you have it available for future reference.

Serial number formats may include MKAD1234567 or J123MK12345



**The serial number on your Precision Charger is located on the input cord and the bottom of the charger.**

Made by Minn Kota  
Johnson Outdoors  
Marine Electronics, Inc.  
121 Power Drive  
Waukegan, WI 54981 USA  
Battery Chargers  
Produced in 2014

Precision Charger  
MODEL 1831060

SER NO M365 MK12345  
**EXAMPLE**

Model: \_\_\_\_\_

Serial Number: \_\_\_\_\_

Purchase Date: \_\_\_\_\_

Store Where Purchased: \_\_\_\_\_

# TABLE OF CONTENTS

---

<b>Three-Year Limited Warranty</b>	4
<b>Features</b>	5
<b>Safety Precautions</b>	6-8
<b>Installation</b>	9-10
Locating the Charger	9
Mounting the Charger	9
Installing the MK-EC Battery Extension Cable Accessory (not included)	10
<b>Operating the Charger</b>	11-14
Overview	11
Selecting the Battery Type	12
General Operation	12
Indicator LEDs	13
Multi-stage Charging	13-14
<b>Troubleshooting</b>	15
<b>Frequently Asked Questions</b>	16-17
<b>Service &amp; Maintenance</b>	18
<b>Compliance Statements</b>	19
<b>Parts Diagram &amp; Parts Lists</b>	21-25

# THREE-YEAR REPLACEMENT WARRANTY

---

## WARRANTY ON MINN KOTA BATTERY CHARGERS

Johnson Outdoors Marine Electronics, Inc. ("JOME") extends the following limited warranty to the original retail purchaser only. Warranty coverage is not transferable.

### MINN KOTA LIMITED THREE-YEAR REPLACEMENT WARRANTY ON THE ENTIRE PRODUCT

JOME warrants to the original retail purchaser only that the purchaser's new Minn Kota battery charger and battery maintainer will be materially free from defects in materials and workmanship appearing within three (3) years after the date of purchase. JOME will (at its option) replace, free of charge, any charger found by JOME to be defective during the term of this warranty. Such replacement shall be the sole and exclusive liability of JOME and the sole and exclusive remedy of the purchaser for breach of this warranty.

### EXCLUSIONS & LIMITATIONS

This limited warranty does not apply to products that have been used commercially or for rental purposes. This limited warranty does not cover normal wear and tear, blemishes that do not affect the operation of the product, or damage caused by accidents, abuse, alteration, modification, shipping damages, acts of God, negligence of the user or misuse, improper or insufficient care or maintenance. **DAMAGE CAUSED BY THE USE OF OTHER REPLACEMENT PARTS NOT MEETING THE DESIGN SPECIFICATIONS OF THE ORIGINAL PARTS WILL NOT BE COVERED BY THIS LIMITED WARRANTY.** The cost of normal maintenance or replacement parts which are not in breach of the limited warranty are the responsibility of the purchaser. Prior to using products, the purchaser shall determine the suitability of the products for the intended use and assumes all related risk and liability. Any assistance JOME provides to or procures for the purchaser outside the terms, limitations or exclusions of this limited warranty will not constitute a waiver of the terms, limitations or exclusions, nor will such assistance extend or revive the warranty. JOME will not reimburse the purchaser for any expenses incurred by the purchaser in repairing, correcting or replacing any defective products or parts, except those incurred with JOME's prior written permission. **JOME'S AGGREGATE LIABILITY WITH RESPECT TO COVERED PRODUCTS IS LIMITED TO AN AMOUNT EQUAL TO THE PURCHASER'S ORIGINAL PURCHASE PRICE PAID FOR SUCH PRODUCT.**

### MINN KOTA SERVICE INFORMATION

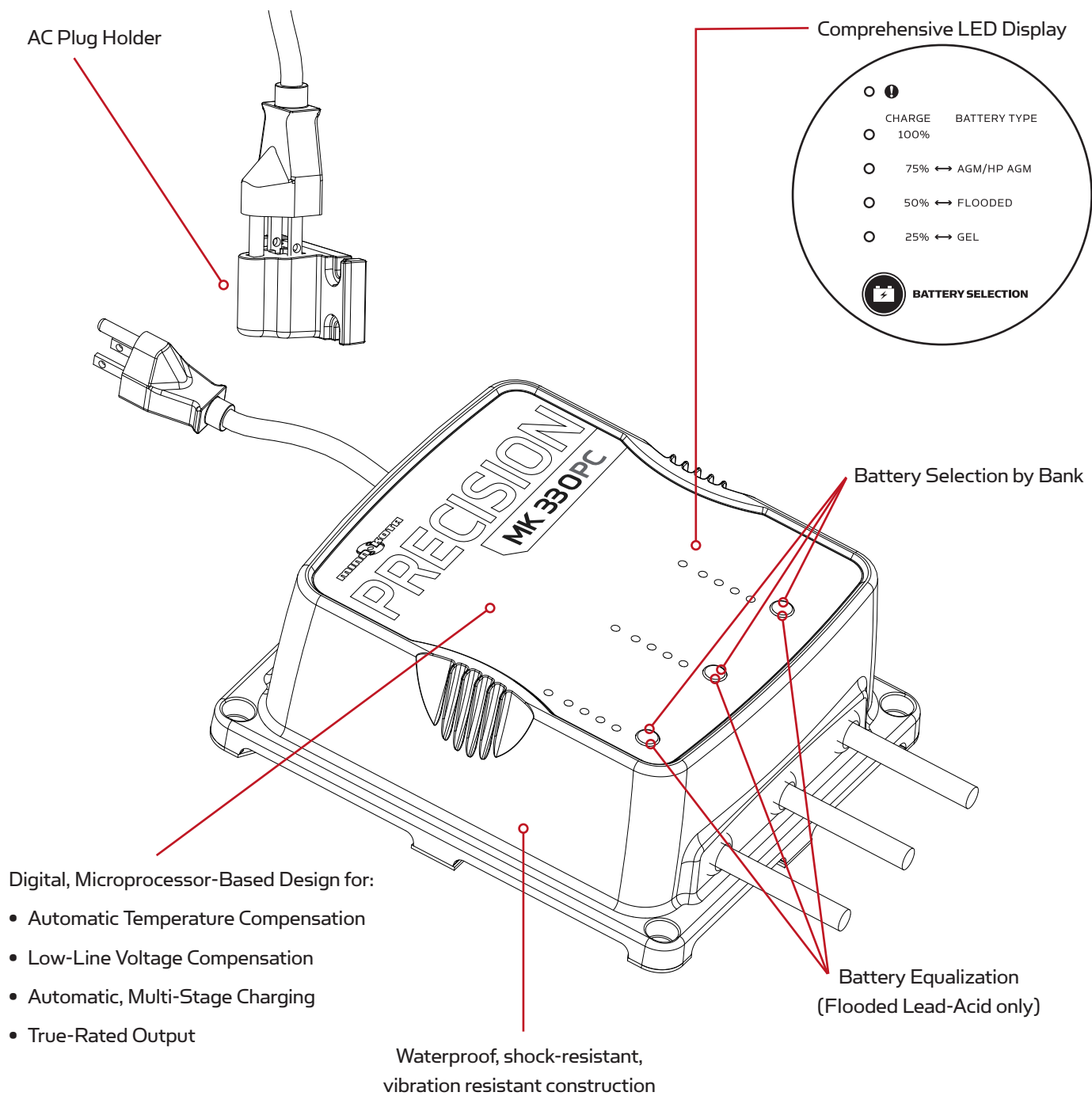
To obtain warranty service in the U.S., the product believed to be defective, and proof of original purchase (including the date of purchase), must be presented to Minn Kota's factory service center in Mankato, MN. Any charges incurred for service calls, transportation or shipping/freight to/from the Minn Kota Authorized Service Center or factory, labor to haul out, remove, re-install or re-rig products removed for warranty service, or any other similar items are the sole and exclusive responsibility of the purchaser. Products purchased outside of the U.S. must be returned prepaid with proof of purchase (including the date of purchase and serial number) to any Authorized Minn Kota Service Center in the country of purchase. Warranty service can be arranged by contacting a Minn Kota Authorized Service Center or by contacting the factory at 1-800-227-6433 or email [service@minnkotamotors.com](mailto:service@minnkotamotors.com). **Products repaired or replaced will be warranted for the remainder of the original warranty period [or for 90 days from the date of repair or replacement, whichever is longer]. For any product that is returned for warranty service that JOME finds to be not covered by or not in breach of this limited warranty, there will be a billing for services rendered at the prevailing posted labor rate and for a minimum of at least one hour.**

**NOTE:** Do not return your Minn Kota product to your retailer. Your retailer is not authorized to repair or replace products.

**THERE ARE NO EXPRESS WARRANTIES OTHER THAN THESE LIMITED WARRANTIES. IN NO EVENT SHALL ANY IMPLIED WARRANTIES INCLUDING ANY IMPLIED WARRANTIES OF MERCHANTABILITY OR FITNESS FOR PARTICULAR PURPOSE, EXTEND BEYOND THE DURATION OF THE RELEVANT EXPRESS LIMITED WARRANTY. IN NO EVENT SHALL JOME BE LIABLE FOR PUNITIVE, INDIRECT, INCIDENTAL, CONSEQUENTIAL OR SPECIAL DAMAGES. Without limiting the foregoing, JOME assumes no responsibility for loss of use of product, loss of time, inconvenience or other damage.**

Some states do not allow limitations on how long an implied warranty lasts or the exclusion or limitation of incidental or consequential damages, so the above limitations and/or exclusions may not apply to you. This warranty gives you specific legal rights and you may also have other legal rights which vary from state to state.

# FEATURES



Specifications subject to change without notice.

\*This diagram is for reference only and may differ from your actual charger.

# SAFETY PRECAUTIONS

## SAVE THESE INSTRUCTIONS!

This manual contains important safety and operating instructions applicable to the safe and efficient use of your Minn Kota battery charger.

**WARNING:** Risk of explosive gases - working in the vicinity of a lead acid battery is dangerous. Batteries contain sulfuric acid and produce explosive gases. A battery explosion could result in loss of eyesight or serious burns. For this reason, it is of utmost importance that you follow the instructions each time you use the charger.

To reduce the risk of battery explosion, follow these instructions and those published by the battery manufacturer for any equipment you intend to use in the vicinity of the battery. Review cautionary markings on these products and on engine, motor or other equipment requiring battery usage.

**WARNING:** Do not attempt to repair or service the charger yourself. Opening the charger may expose you to high voltages, the risk of electric shock, and other hazards.

## IMPORTANT SAFETY INSTRUCTIONS

- The Minn Kota battery charger is a powerful electrical device. If incorrectly installed, configured or operated, the battery charger can damage batteries and / or electrical equipment. Please thoroughly read the instructions and safety information contained in this manual before operating the battery charger.
- Use of an attachment not recommended or sold by Johnson Outdoors Inc. may result in risk of fire, electric shock, or injury to persons or property.
- The charger is not intended for use by young children or infirm persons without supervision. Young children should be supervised to ensure that they do not play with the charger.
- To reduce risk of damage to electric plug or cord, pull by the plug rather than the cord when disconnecting the battery charger. An AC extension cord should not be used unless absolutely necessary. Use of the improper AC extension cord could result in a risk of fire or electric shock. If an AC extension cord must be used, make sure:
  - That pins of plug of the extension cord are the same number, size and shape of those of the plug on the battery charger;
  - That extension cord is properly wired and in good electrical condition; and
  - That wire in extension cord is proper size according to the chart:
- Do not operate the battery charger with a damaged cord or plug.
- Do not operate the battery charger if it has received a sharp blow, been dropped or otherwise damaged in any way.
- Do not disassemble the charger. Incorrect reassembly may result in a risk of electric shock or fire.
- To reduce risk of electric shock, unplug the charger from outlet before attempting any maintenance or cleaning. Disconnecting the leads will not reduce this risk.
- To reduce risk of shock or spark, never touch the ring terminals together while the charger is plugged into an outlet or extension cord.
- External connections to the battery charger shall comply with the United States Coast Guard electrical regulations (33CFR183, Sub Part 1).

	25' AC Ext. Cord	50' AC Ext. Cord	100' AC Ext. Cord
<b>MK106PC/MK110PC/MK212PC/MK106D/MK210D</b>			
AWG Size	18	18	16
<b>MK440PC/MK345PC/MK440D</b>			
AWG Size	16	12	10
<b>MK220PC/MK230PC/MK318PC/MK330PC/MK220D/MK315D/MK330D</b>			
AWG Size	16	16	12
<b>MK460PC</b>			
AWG Size	14	12	10

---

## PERSONAL PRECAUTIONS

- a. Consider having someone close enough nearby to come to your aid when you work near a lead acid battery.
- b. Have plenty of fresh water and soap nearby in case battery acid contacts skin, clothing or eyes.
- c. Wear complete eye protection and clothing protection. Avoid touching eyes while working near battery.
- d. If battery acid contacts skin or clothing, wash immediately with soap and water. If acid enters eye, immediately flush eye with running cold water for at least 10 minutes and get medical attention immediately.
- e. Never smoke or allow a spark or flame in vicinity of battery, engine, motor or other flammable or explosive equipment.
- f. Be extra cautious to reduce risk of dropping a metal tool onto the battery or across the battery terminals. It might spark or short circuit the battery or other electrical component that may cause an explosion.
- g. Remove personal metal items such as rings, bracelets, necklaces, and watches when working with a lead acid battery. A lead acid battery can produce a short circuit current high enough to weld such items, causing severe burns.
- h. Use the Minn Kota battery charger for charging and maintaining FLOODED LEAD-ACID, MAINTENANCE FREE, GEL CELL, AND AGM / STARVED ELECTROLYTE batteries only. It is not intended to supply power to low voltage electrical systems other than for charging and maintaining batteries. Do not use the charger for charging dry-cell batteries that are commonly used with home appliances. These batteries may burst and cause injury to persons and damage to property.

## DC CONNECTION PRECAUTIONS

- a. The Minn Kota charger will only charge 12 volt 6 cell lead acid batteries including flooded lead/acid, AGM, and GEL batteries. Do not connect the output of the charger to any other voltage or type of battery.
- b. The charger's DC output terminals are designed to be permanently mounted and connected to batteries.
- c. Connect and disconnect DC output terminals only after disconnecting the AC plug from the electric outlet.
- d. The charger output leads must be connected with the correct polarity for the charger to function. The RED lead must be connected to the POSITIVE terminal of the battery and the BLACK lead must be connected to the NEGATIVE terminal of the battery, as indicated in e(5), e(6) and f(2), f(3).
- e. Follow these steps when the battery charger is installed in a boat or vehicle. A spark near the battery may cause battery explosion. To reduce the risk of a spark near the battery:
  1. Position AC and DC cords to reduce risk of damage by hood, door, or moving engine parts.
  2. Stay clear of fan blades, belts, pulleys and other parts that can cause injury to persons.
  3. Check polarity of battery posts. POSITIVE (POS, P, +) battery post is usually larger in diameter than NEGATIVE (NEG, N, -) post.
  4. Determine which post of the battery is grounded (connected) to the chassis (if any). If negative post is grounded to the boat hull or chassis (as in most vehicles), see step 5 below. If positive post is grounded to the boat hull or chassis, see step 6 below. If neither is grounded, the order in which the output leads are connected does not matter.
  5. For negative-grounded boat or vehicle, connect POSITIVE (RED) output terminal to POSITIVE (POS, P, +) ungrounded post of battery first. Then connect NEGATIVE (BLACK) output to NEGATIVE (NEG, N, -) grounded post of battery.
  6. For positive-grounded boat or vehicle, connect NEGATIVE (BLACK) output to NEGATIVE (NEG, N, -) ungrounded post of battery first. Then, connect POSITIVE (RED) output terminal to POSITIVE (POS, P, +) grounded post of battery.
  7. When disconnecting charger, disconnect AC power cord from electric outlet first.
  8. See operating instructions for length of charge information.

## SAFETY PRECAUTIONS

---

- f. Follow these steps when battery is outside boat or vehicle. A spark near battery may cause battery explosion. To reduce the risk of a spark near battery:
1. Check polarity of battery posts. POSITIVE (POS, P, +) battery post is usually larger in diameter than NEGATIVE (NEG, N, -) post.
  2. Connect POSITIVE (RED) output terminal to POSITIVE (POS, P, +) post of battery.
  3. Connect NEGATIVE (BLACK) output terminal to NEGATIVE (NEG, N, -) post of battery.
  4. Do not face battery when making final connection.
  5. When disconnecting charger, disconnect AC power cord from electric outlet first.
  6. When disconnecting output terminals from battery posts, always do so in reverse sequence of the connecting procedure.
  7. A marine (boat) battery does not need to be removed and charged on shore. However, instructions must be followed for location of charger when permanently mounted or used on board.

## AC POWER CORD CONNECTION PRECAUTIONS

The Minn Kota battery charger should be grounded to reduce risk of electric shock. The charger is equipped with an electric AC power cord. The plug must be plugged into an outlet that is properly installed in accordance with all local codes and ordinances.

**DANGER:** Never alter AC cord or plug provided – if it will not fit outlet, have proper outlet installed by a qualified electrician. Improper connection can result in a risk of an electric shock.

**CAUTION** – To reduce risk of fire or electric shock, connect battery charger directly to grounding receptacle (three-prong). An adapter should not be used with battery charger.

**CAUTION** - Due to the higher charging current of the Minn Kota charger it is recommended that you check with the battery manufacturer's maximum recommended charger current before connecting multiple charger outputs to 1 battery.



# INSTALLATION

---

## INSTALLATION AND MOUNTING

### LOCATING THE CHARGER

- a. Never place charger above battery being charged; gases from battery will corrode and damage charger.
- b. Never allow battery acid to drip on charger when reading electrolyte specific gravity or filling battery.
- c. Do not operate charger in a closed-in area or restrict ventilation in any way.
- d. Do not set a battery on top of charger.
- e. Do not mount the charger below the waterline of the boat or directly adjacent to fuel tanks.
- f. Each DC output cord is six feet long. Make sure that all DC output cords can reach the batteries and that the AC power cord can reach a power source. When using an extension cord, make the AC connection to the charger outside of the battery compartment as far away as practical to reduce the risk of a spark igniting gasses in the compartment.
- g. Do not shorten the DC output cords, as this can affect charger output.
- h. If the DC output cords are not long enough, they may be lengthened by splicing and soldering 12 AWG (minimum) wire. Each splice should be covered with dual wall adhesive lined heat shrink tubing to protect the joint from corroding. The splice should be made between the fork in the output cable and the fuse holder. The fuse holder should always remain within 7" of the battery terminals. The maximum extension length is 15 feet. You may contact the Minn Kota Service Department with any questions.  
**WARNING:** Do not splice the AC power cord, as this voids the three year Limited Warranty.
- i. Even though the Minn Kota charger is capable of operating in a high ambient temperature environment, a minimum of six inches of unobstructed area should be allowed on all sides of the unit for proper air circulation and cooling. Proper cooling and circulation will allow the charger to operate at peak efficiency.

### MOUNTING THE CHARGER

Due to the weight of the charger and the impact that boats routinely endure, take the time to securely mount the charger to prevent damage. Mounting with nuts, bolts and washers is preferable to mounting with screws.

1. Use the largest diameter bolts possible and use all four mounting holes.
2. After marking the locations, set the charger aside and drill the holes.
3. Apply a marine grade silicone sealant in each of the drilled holes to create a waterproof seal.
4. Then secure the charger in place using the mounting hardware.

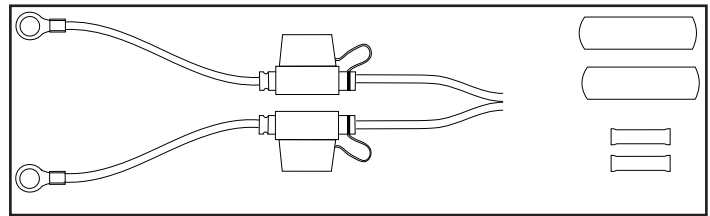
**NOTE:** Your battery charger is supplied with an AC plug holder designed to hold the power cord plug when not in use. Mount the AC plug holder with four screws in a convenient dry site to prevent corrosion to the AC plug and to prevent the AC plug from making contact with the battery posts.

**WARNING:** Make sure the charger is disconnected from ac power before connecting the batteries to the output cords.

**CAUTION:** Before making any connections to batteries in a confined space (such as a battery compartment of a boat), open the door or hatch of the compartment and allow it to air out for 15 minutes. This allows any gasses that have accumulated in the compartment to escape.

## OPTIONAL INSTALLATION

Parts Included:	
Description	Qty.
15ft Extension Cable	1
Wire Splice	2
Adhesive Heat Shrink	2



(OPTIONAL ACCESSORY KIT #1820089 - NOT INCLUDED)

## INSTALLING THE MK-EC EXTENSION CABLE ACCESSORY

The Minn Kota Battery Charger Output Extension Cables are ideal for extending charger output cables that do not reach bow, center or transom battery compartments. Featuring easy installation with waterproof adhesive heat shrink for use in saltwater environments. Each conductor is fused for protection against accidental short circuits.

### TOOLS AND RESOURCES REQUIRED:

- Wire Cutters
- Crimpers
- Wire Strippers
- Heat Gun

1. Remove AC power from your charger and disconnect the charger from ALL batteries.
2. Open the door or hatch of the compartment and allow it to air out for 15 minutes. This allows any gasses that have accumulated in the compartment to escape.
3. Find the charger output cable you would like to extend and use the wire cutters to cut the red or white (positive) and black (negative) wires before the fuse holders.

**NOTE:** Some output cables will have a temperature sensor in the cable covered by heat shrink. You must cut above the temperature sensor to avoid damaging the sensor (see Figure 1).

4. Remove the loose pieces of insulation from the ends of the extension cable wires and crimp the black (negative) wire into the Wire Splice connector using the crimpers (see Figure 2).
5. Strip the charger output cable wires 3/8" if they are 12AWG. Strip the output wires 3/4" if they are 14AWG or 16AWG.
6. Place one of the Adhesive Heat Shrinks over the Wire Splice and onto the black extension cable wire.
7. For 12AWG wire, insert the black charger output cable into the Wire Splice and crimp using the crimpers. For 14AWG or 16AWG wire, fold the stripped black charger output wire in half before inserting and crimping the wire.
8. Center the Adhesive Heat Shrink over the Wire Splice. Using the heat gun, warm the Adhesive Heat Shrink until it seals the connection.
9. Repeat steps 4 through 8 for connecting the red or white (positive) wires to the Wire Splice.
10. Prepare each battery in advance by cleaning off dirt, oil, battery corrosion, etc. Use a water and baking soda solution for cleaning corrosion. Wipe using a dry cloth.
11. Route the output extension cable away from sharp objects. Do not remove the fuse holders, since fuses are located on both the positive and negative wires for protection in case of a short circuit.
12. Now connect the extension cable to the battery. Be sure to connect the black (negative -) ring terminal to the negative battery post and connect the red (positive +) ring terminal to the positive battery post.

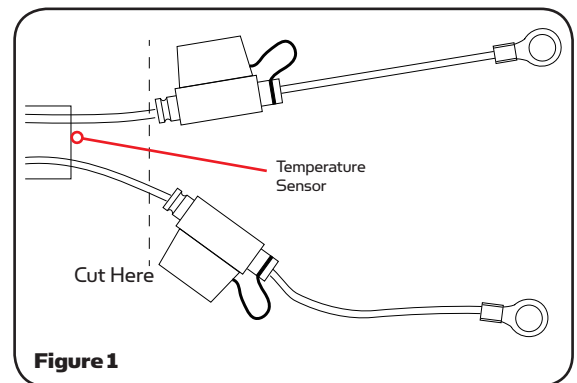


Figure 1

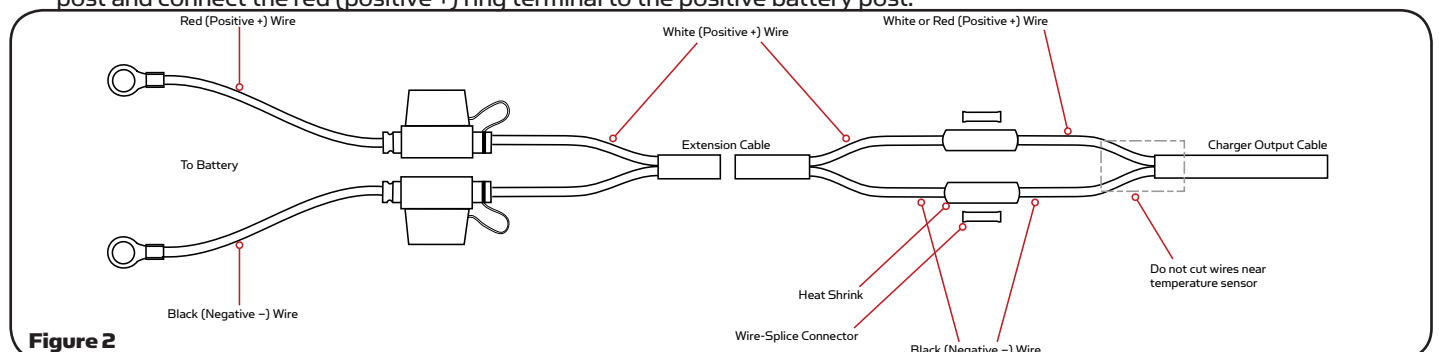


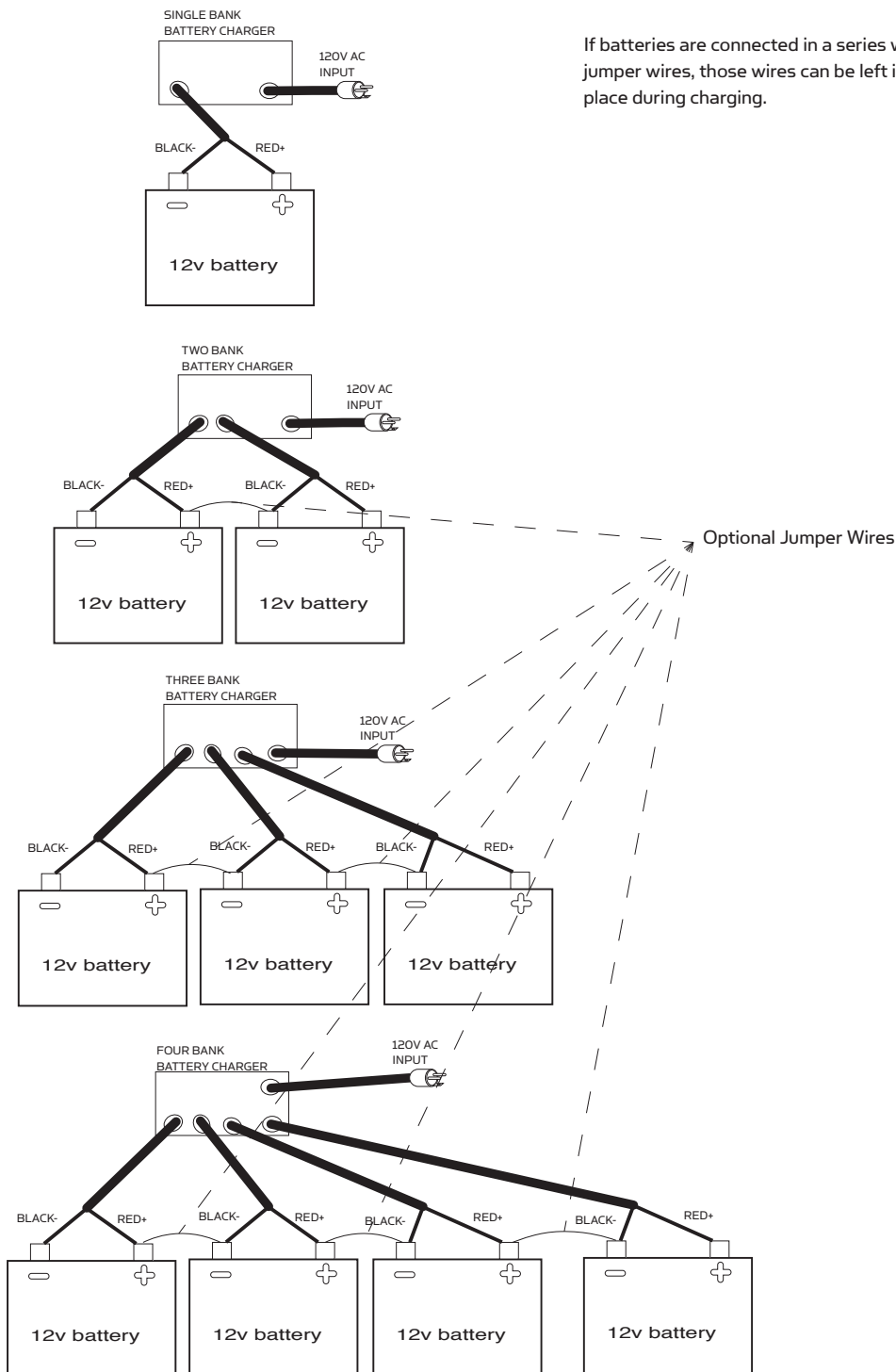
Figure 2

# OPERATING THE CHARGER

## OVERVIEW

This is a high performance battery charger that has the ability to properly and safely work with several different battery types. It is important to read and understand how to properly use the battery charger before charging batteries.

Each output bank is independent and isolated from one another and the AC input. The Minn Kota charger can charge independent batteries or combinations of batteries hooked in series or parallel without disconnecting the batteries from any switches or wires / straps joining the batteries.



If batteries are connected in a series with jumper wires, those wires can be left in place during charging.

# OPERATING THE CHARGER

## SELECTING THE BATTERY TYPE

The charger can be manually switched between 4 different modes; Gel Cell, Flooded Lead-Acid, AGM/High Performance AGM, and Equalize. In order to optimize the performance of your batteries or to prevent damage, you will need to properly set each charger bank for the correct battery type (each bank can be independently set). The factory default setting is Flooded Lead-Acid.

To set the battery type:

1. Plug the charger AC cord into an AC outlet.
2. During power up all LEDs will turn on, then 1 YELLOW LED will temporarily remain on. This YELLOW LED will indicate the current battery type.
3. To change battery type press and hold the Battery Selection button until the YELLOW LED indicates the desired battery type, then release the button. The battery type will be saved even if the AC cord or DC output cords are disconnected.

Flooded Lead-Acid batteries should be equalized per the battery manufacturers' recommendations. Only Flooded Lead-Acid batteries should be equalized. The charger will only allow selection of the Equalize Mode if the previous selection was Flooded Lead-Acid. To set Equalize Mode, press and hold the Battery Selection button until all 3 YELLOW LEDs are lit, then release the button. Once in Equalize Mode, the equalize process will only be performed one time. Once this cycle is completed or if the cycle is interrupted (by unplugging the AC or a DC cord) the charger will revert back to the Flooded Lead-Acid battery type

**WARNING:** Battery type is factory preset for Flooded Lead-Acid. If you are using alternate type batteries, select Gel or AGM/High Performance AGM. Failure to do so could result in damage to your battery and/or cause acid leaks.

## GENERAL OPERATION

After the AC cord on the charger is plugged in and a battery is connected to the output cable correctly, the 25% charging LED will turn on. After 4 seconds the charger will begin charging the battery. The 4 second delay is added to allow the user to establish a good connection before the charger output is turned on. This will help prevent unwanted sparks during battery connections. The YELLOW LEDs will indicate how far the charger is in the charging process. Once the 100% GREEN LED is flashing, the charger is holding the battery in Maintenance Mode. The charger will stay in Maintenance Mode for 12 hours. After 12 hours in the Maintenance Mode, the charger output will turn off and the 100% GREEN LED will switch to steady GREEN.

**NOTE:** If a ① RED LED is flashing, reference the troubleshooting section on page 15 to determine the reason and take the necessary corrective action to remedy the situation. If you are unable to remedy the situation and need help, call the Minn Kota Service Department at 1.800.227.6433 and a technical support representative will be happy to assist you.

**CAUTION:** We recommend that you not recharge your battery, (or batteries), with the watercraft or motor lower unit in the water during electrical storms. Severe damage to the motor or charging system may occur if lightning strikes nearby or if storm related high voltage conditions exist.

**CAUTION:** If using a generator to power the charger, it must have a clean output and be safe for use on electrical equipment. Generators with a sine wave output can be used to power this charger. See Table 1 for power requirements.

**WARNING:** To reduce risk of electric shock, do not perform any servicing other than those contained in the operating instructions.

Table 1

Model	Input Power (120VAC, 60Hz)
MK106PC	100W
MK110PC	165W
MK212PC	200W
MK220PC	330W
MK318PC	300W
MK330PC	500W
MK440PC	660W
MK230PC	500W
MK345PC	700W
MK460PC	900W

---

## INDICATOR LEDs

Each bank has the following LEDs:

- **!** (RED): A solid **!** RED LED indicates there is an issue with the battery connection.
- A flashing **!** RED LED indicates an error. See Troubleshooting on page 15.
- 25%, 50%, 75% (YELLOW): These LEDs indicate the progress of charging.
- 100% (GREEN): Flashing GREEN LED indicates battery is fully charged in Maintenance Mode and ready to use.
- Solid GREEN LED indicates battery is fully charged in long term Maintenance Mode and ready to use.
- Flashing GREEN and 25% YELLOW LEDs indicates the battery is less than 10.5 volts and the charger is in low power safety mode. Full charging will begin once the battery reaches 10.5 volts. If the battery does not rise above 10.5 volts, then make sure all loads are disconnected from the battery and try again.

## MULTI-STAGE CHARGING

Minn Kota's Multi-Stage Charging delivers a fast, precise charge profile by automatically controlling current and voltage without overcharging your batteries.

**Bulk Mode:** During this stage, the charger delivers full current until the battery reaches ~75% charge.

**Absorption Mode:** The charging current tapers down while the battery voltage is held constant (see Table 2 for voltages).

**Mild Equalize Mode (Flooded Lead-Acid Only):** The voltage is automatically increased with each charging cycle for a maximum of 1.5 hours to desulfate and mix fluids in each battery.

**Equalize Mode (Flooded Lead-Acid Only):** The equalize mode must be manually selected for each bank that is to be equalized. The voltage is increased for a maximum of 4 hours to desulfate and mix fluids in each battery.

**Maintenance Mode:** When the battery reaches full charge, the charger voltage is reduced (see Table 1 on page 14 for voltages). A flashing 100% GREEN LED is lit for each bank to indicate the battery is in Maintenance Mode and ready to use. After 12 hours, the charger automatically turns off and a steady 100% GREEN LED is lit for each bank to indicate the battery is in long term Maintenance Mode and ready to use. The charger will automatically resume charging when the battery voltage drops below 12.6V.

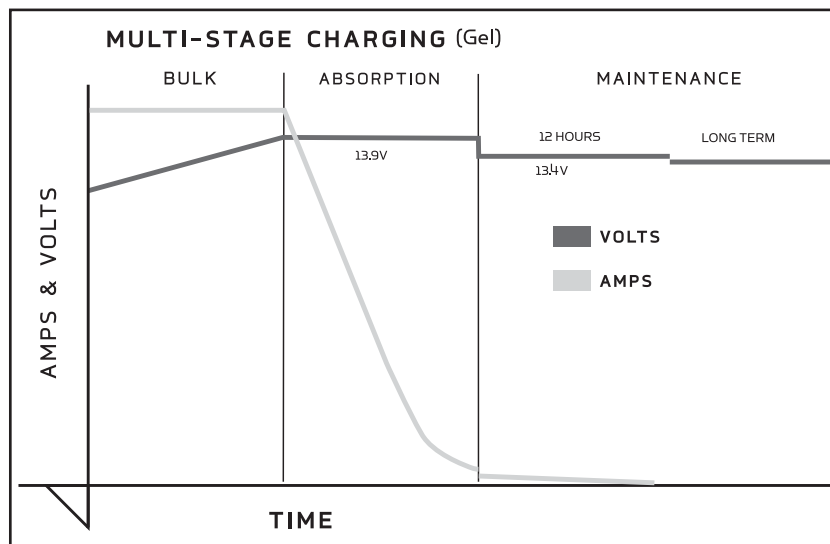
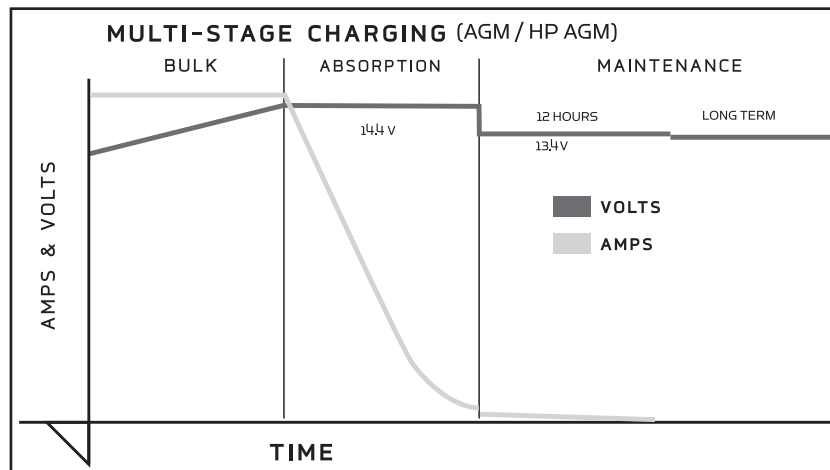
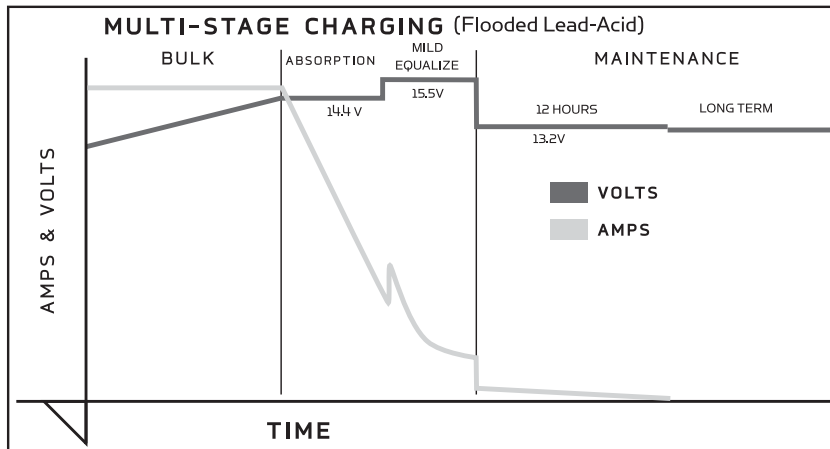
## INLINE FUSE

Each output cord has inline fuses on the RED and BLACK leads located near the ring terminals. These fuses serve as protection from surges and short circuits caused by a damaged charger output cable. If a fuse blows, replace it with a 30 amp ATC 32V automotive fuse. Improper battery connections will normally not cause a fuse to blow since this is handled by the internal circuitry of the charger.

# OPERATING THE CHARGER

Table 2

CHARGING PROFILE @ 25° C			
Battery Type	Absorption	Equalize	Float
Flooded Lead-Acid	14.4V	15.5V	13.2V
AGM/High Performance AGM (Absorbed Glass Mat)	14.4V	n/a	13.4V
Gel	13.9V	n/a	13.4V



# TROUBLESHOOTING

## TROUBLESHOOTING

ERROR CONDITION	SOLUTION
<p>ⓘ RED LED is lit Check connection.</p>	<ul style="list-style-type: none"> <li>• Check polarity of leads to battery.</li> <li>• Check connections to battery and fuses in output cord.</li> <li>• Check voltage at battery. The bank will not charge a battery below 0.5 volts or above 16 volts.</li> <li>• If still not working, call the Minn Kota Service Department at 1-800-227-6433.</li> </ul>
<p>ⓘ RED LED is flashing with solid 25% YELLOW LED Low-voltage time expired.</p>	<ul style="list-style-type: none"> <li>• Check to make sure there are no power loads on the battery.</li> <li>• Check the fluid in the battery and add fluid per battery manufacturer's specifications.</li> <li>• If the voltage of the battery does not increase above 10.5 volts, then the bank will shut down and will not charge. The battery should be tested.</li> <li>• If still not working, call the Minn Kota Service Department at 1-800-227-6433.</li> </ul>
<p>ⓘ RED LED is flashing with solid 50% YELLOW LED. Bulk time expired.</p>	<ul style="list-style-type: none"> <li>• Check to make sure there are no heavy or large loads on the battery.</li> <li>• Check the fluid in the battery and add fluid per battery manufacturer's specifications.</li> <li>• If the voltage of the battery does not increase to the absorption voltage in 30 hours, then the bank will shut down and will not charge. The battery should be tested.</li> <li>• If still not working, call the Minn Kota Service Department at 1-800-227-6433.</li> </ul>
<p>ⓘ RED LED is flashing with solid 75% YELLOW LED. Temperature sensor error.</p>	<ul style="list-style-type: none"> <li>• Reset the charger by unplugging the AC cord. Wait for all LEDs to turn off.</li> <li>• Plug in the AC cord.</li> <li>• If still not working, call the Minn Kota Service Department at 1-800-227-6433.</li> </ul>
<p>ⓘ RED LED is flashing with solid 25% and 75% YELLOW LEDs Charger is overheated.</p>	<ul style="list-style-type: none"> <li>• Reset the charger by unplugging the AC cord. Wait for all LEDs to turn off and allow charger to cool.</li> <li>• Plug in the AC cord.</li> <li>• If still not working, call the Minn Kota Service Department at 1-800-227-6433.</li> </ul>
<p>Indicator lights will not illumine</p>	<ul style="list-style-type: none"> <li>• Check the AC power at the outlet.</li> <li>• Make sure the GFCI (Ground Fault Circuit Interrupter) for the outlet has not tripped.</li> <li>• If an extension cord is being used, check the AC power at the end of the extension cord.</li> <li>• If still not working, call the Minn Kota Service Department at 1-800-227-6433.</li> </ul>
<p>Charger powers up and then turns off</p>	<ul style="list-style-type: none"> <li>• If an extension cord is being used, check the AC power at the end of the extension cord.</li> <li>• Extension cord AWG is too small - refer to the chart on pg. 6 of the Safety Precautions.</li> <li>• Very low AC voltage is applied to the charger.</li> <li>• If still not working, call the Minn Kota Service Department at 1-800-227-6433.</li> </ul>

SPECIFICATIONS										INPUT VOLTAGE: 95-135VAC, 60Hz	
Model	Part No.	System Volts	Banks	Output per Bank (amps)	Total Output (amps)	Input Cable	Output Cable	Size L x W x H	Weight (lbs)	Input Current (120VAC, 60Hz)	
MK106PC	1831060	12	1	6	6	18AWG - 6'	16AWG - 6'	9-1/4" x 4" x 3-1/4"	4.5	1.5A	
MK110PC	1831100	12	1	10	10	18AWG - 6'	16AWG - 6'	9-1/4" x 4" x 3-1/4"	4.5	2.4A	
MK212PC	1832120	12 / 24	2	6	12	18AWG - 6'	16AWG - 6'	9-1/4" x 8-1/4" x 3-1/4"	8	3A	
MK220PC	1832200	12 / 24	2	10	20	18AWG - 6'	16AWG - 6'	9-1/4" x 8-1/4" x 3-1/4"	8	4.8A	
MK318PC	1833180	12 / 24 / 36	3	6	18	18AWG - 6'	16AWG - 6'	9-1/4" x 8-1/4" x 3-1/4"	11	4.5A	
MK330PC	1833300	12 / 24 / 36	3	10	30	18AWG - 6'	16AWG - 6'	9-1/4" x 8-1/4" x 3-1/4"	11	7.2A	
MK440PC	1834400	12 / 24 / 36 / 48	4	10	40	16AWG - 6'	16AWG - 6'	9-1/4" x 10-1/2" x 3-1/4"	14	9.6A	
MK230PC	1832300	12 / 24	2	15	30	14AWG - 6'	12AWG - 6'	7-5/8 x 9-1/4 x 3	9.6	7A	
MK345PC	1833450	12 / 24 / 36	3	15	45	14AWG - 6'	12AWG - 6'	11 x 9-1/4 x 3	13.7	10.5A	
MK460PC	1834600	12 / 24 / 36 / 48	4	15	60	14AWG - 6'	12AWG - 6'	14-3/8 x 9-1/4 x 3	18	14A	

# FREQUENTLY ASKED QUESTIONS

---

**Q Are Minn Kota On-Board Precision Chargers tested and approved for use with Odyssey batteries?**

A All Minn Kota On-board Precision Chargers have been tested by Odyssey and found to properly charge all batteries rated from 7-114 Ah.

**Q Are the Minn Kota battery chargers waterproof?**

A Yes, the battery chargers are waterproof, however, they should not be operated while immersed.

**Q Can I charge two batteries on one charger bank?**

A Yes, but it is not recommended. It takes double the amount of time to charge two batteries and could result in an error being displayed if the batteries take too long to charge.

**Q Can I connect two charger banks to one battery?**

A Yes, this will charge the battery almost twice as fast. However, the water in the battery is more likely to evaporate with higher charging currents. Thus, the electrolyte level should be checked more often. The maximum safe charging current on most deep cycle batteries is 20 amps. Consult your battery manufacturer for recommendations.

**Q Can I extend the Minn Kota battery charger output leads?**

A Yes, please refer to Accessory Kit 1820089 - MK-EC-15 Wire Extension Kit (see Pg. 10).

**Q Can the Minn Kota battery charger be mounted in any position?**

A Yes, but it is highly recommended that the charger not be mounted below the waterline.

**Q Do I need to disconnect the series or parallel battery connection(s) when using Minn Kota chargers?**

A No, the battery jumper wire(s) can remain in place for both types of wiring.

**Q Does losing AC power or unplugging the Precision charger from an AC outlet affect battery type selection?**

A No, once a battery type is selected it will be stored until a new battery type is selected by the user.

**Q Does losing AC power or unplugging the Precision charger from an AC outlet affect Deep Equalization mode?**

A Yes, the Deep Equalization mode is cancelled and the charger will restart the charging cycle in normal Flooded Lead Acid battery mode.

**Q How do I set Equalization mode on my Minn Kota Precision charger?**

A Minn Kota Precision Chargers feature Automatic Equalization Technology that cleans and conditions batteries with each charge cycle (flooded Lead-Acid only). Precision Chargers also feature a user selectable by bank Deep Equalization Mode. Select Deep Equalization Mode (recommended every 30th charge cycle) – Deep Equalization should only be performed on Flooded Lead-Acid batteries. Before you can select Deep Equalization mode you must first make sure that the current battery selection is set to Flooded Lead Acid. Press and hold the “BATTERY SELECTION” button until you see three yellow LED’s illuminate, then release the “BATTERY SELECTION” button. If any of the yellow LED’s begin to flash you are in Deep Equalization Mode.

**NOTE:** The state of charge LED’s will continue to flash through the entire charge cycle including the 12-hour maintenance mode.

**Q How often should I perform Deep Equalization?**

A Deep Equalization is recommended every 30th charge cycle or once a year.

**Q How do I determine what battery type is selected on my Minn Kota PC Charger?**

A Press and release the “BATTERY SELECTION” button. The yellow LED located next to the corresponding battery type selected will illuminate for 2-5 seconds.

**Q How warm do Minn Kota battery chargers get?**

A The Minn Kota battery chargers can reach 150° F. They may get warm in an enclosed area. The maximum recommended room temperature for charging batteries is 122° F. If the charger seems to get “hot,” try opening a hatch to help cool the charger. When the charger is hot, the output current will drop to protect the charger and the battery.

**Q What happens if AC power is lost during a charging cycle with the Minn Kota Precision battery charger?**

A The PC charger will simply restart the charging cycle with the battery type that was originally selected. Losing power or unplugging the PC charger does not clear your battery type selection.

**Q What size fuses are used on Minn Kota battery chargers?**

A Chargers with a yellow fuse holder use a 30 amp AGX 32V automotive fuse. An AGC can be used but may not fit as well as the AGX. Chargers with a red fuse holder use a 30 amp ATC 32V automotive fuse.



**Q What Batteries can be charged by a Minn Kota charger?**

A Minn Kota Chargers can charge 12 volt 6 cell lead-acid batteries. Minn Kota D Series Chargers and Minn Kota Portable Chargers work well with Flooded Lead Acid and AGM battery types. Minn Kota PC series Chargers have optimized charging for Flooded Lead Acid, AGM and Gel battery types. You should verify with your Battery's Manufacturer the maximum Amp input for your Battery. The Amp Hour or AH rating for your battery should be in the range indicated below for the per bank amp output of the battery charger selected.

BATTERY CHARGER OUTPUT PER BANK	BATTERY AMP HOUR RATING
5 AMPS	20-125 AH
6 AMPS	24-125 AH
10 AMPS	40-125 AH
15 AMPS	60-180 AH

**Q Why do the LED's on my Precision Charger stay illuminated for a period of time after unplugged from AC power?**

A This is normal and does not affect your batteries. It is simply a function of the Precision charging ensuring the charger is disconnected prior to terminating the charge cycle. The PC charger takes many complex and detailed measurements of the battery during a charge cycle. The software in the charger processes this information to make the best possible decisions to give your battery the best charge on the market. In some cases the measurements and software algorithms make it difficult to detect when AC has been disconnected and therefore the charger may take a while to power down and turn off.

**Q Will I damage my batteries if I leave the charger plugged in over long periods of non-use (like storage)?**

A No. Minn Kota's on-board chargers float the battery voltage between 13.2V and 13.5V in the "maintenance" stage (3rd stage). This will allow you to keep your battery charger plugged in for long periods of time without "boiling the battery dry." Note: It is important to check the electrolyte level approximately every 30 days. Batteries should be filled after charging, and the electrolyte level should be even in all cells and below the fill well in each cell. If the battery plates are exposed before charging, add just enough water to cover the plates. If the battery is overfilled before charging, it may overflow during charging.

**Q Can I charge Lithium batteries?**

A Minn Kota has not worked directly with any Lithium battery suppliers to determine if our charger are compatible with their batteries. Most of the Lithium Battery manufactures post required charge stage information on their web sites.

**Q Are any of the charger foot prints compatible with other chargers?**

A Footprints are not compatible with different charger models and sizes. The only exception is the MK212PC, MK318PC, MK220PC and MK330PC have compatible footprints.

**Q Are the chargers serviceable?**

A There are no serviceable components inside the charger.

**Q Can one bank be disconnected while charging batteries on other banks?**

A Yes, The charger banks are fully independent chargers. Unused banks can be left disconnected from batteries. The output of the unused banks are not energized. It is always a good idea to cover or tape the loose end to prevent shorting of other electrical systems in the boat.

**Q Can I use a portable generator to run my charger?**

A Careful selection should be used when deciding on a portable generator for electronics. There are 2 important factors that must be considered:

- Output power: Generators are marketed in output wattage. This wattage must be higher than the power required by the battery charger. Please review power requirements stated in the user manual for your specific charger.
- Output type: MinnKota chargers require clean output power from the generator to prevent permanent damage. The generator must replicate the power from a standard AC outlet in your home (sine wave output).

# SERVICE & MAINTENANCE

---

## GENERAL MAINTENANCE

- Check battery charger for dirt, oil, battery corrosion, etc. Use a water and baking soda solution for cleaning corrosion. Wipe clean using a dry cloth.
- Check ring terminals for dirt, oil, and battery corrosion; then disconnect from battery posts and clean as necessary with water and baking soda solution and dry with a clean cloth.
- When the charger is not in use, coil the power cord to prevent damage.
- When storing the battery charger, store in a clean dry area.
- If power cord or plug becomes damaged, you may contact the Minn Kota Service Repair Department for service repair information. Otherwise, dispose of the battery charger in compliance with local law. Damaged cords and plugs can cause electric shock or electrocution.

## FOR FURTHER TROUBLESHOOTING AND REPAIR

We offer several options to help you troubleshoot and/or repair your product. Please read through the options listed below.



### FREQUENTLY ASKED QUESTIONS

We have FAQs available on our website to help answer all of your Minn Kota questions. Visit [minnkotamotors.com](http://minnkotamotors.com) and click on “Frequently Asked Questions” to find an answer to your question.



### CALL US (FOR U.S. AND CANADA)

Our consumer service representatives are available Monday – Friday between 7:00 a.m. – 4:30 p.m. CST at 800-227-6433. If you are calling to order parts, please have the 11-character serial number from your product, specific part numbers, and credit card information available. This will help expedite your call and allow us to provide you with the best consumer service possible. You can reference the parts list located in your manual to identify the specific part numbers.



### EMAIL US

You can email our consumer service department with questions regarding your Minn Kota products. To email your question, visit [minnkotamotors.com](http://minnkotamotors.com) and click on “Support”.



### AUTHORIZED SERVICE CENTERS

Minn Kota has over 300 authorized service centers in the United States and Canada where you can purchase parts or get your products repaired. Please visit our Authorized Service Center page on our website to locate a service center in your area.

# COMPLIANCE STATEMENTS

---

## ENVIRONMENTAL COMPLIANCE STATEMENT:

It is the intention of JOME to be a responsible corporate citizen, operating in compliance with known and applicable environmental regulations, and a good neighbor in the communities where we make or sell our products.

## WEEE DIRECTIVE:

EU Directive 2002/96/EC “Waste of Electrical and Electronic Equipment Directive (WEEE)” impacts most distributors, sellers, and manufacturers of consumer electronics in the European Union. The WEEE Directive requires the producer of consumer electronics to take responsibility for the management of waste from their products to achieve environmentally responsible disposal during the product life cycle.

WEEE compliance may not be required in your location for electrical & electronic equipment (EEE), nor may it be required for EEE designed and intended as fixed or temporary installation in transportation vehicles such as automobiles, aircraft, and boats. In some European Union member states, these vehicles are considered outside of the scope of the Directive, and EEE for those applications can be considered excluded from the WEEE Directive requirement.

This symbol (WEEE wheelee bin) on product indicates the product must not be disposed of with other household refuse. It must be disposed of and collected for recycling and recovery of waste EEE. Johnson Outdoors Inc. will mark all EEE products in accordance with the WEEE Directive. It is our goal to comply in the collection, treatment, recovery, and environmentally sound disposal of those products; however, these requirements do vary within European Union member states. For more information about where you should dispose of your waste equipment for recycling and recovery and/or your European Union member state requirements, please contact your dealer or distributor from which your product was purchased.



## DISPOSAL:

Minn Kota chargers are not subject to the disposal regulations EAG-VO (electric devices directive) that implements the WEEE directive. Nevertheless never dispose of your Minn Kota charger in a garbage bin but at the proper place of collection of your local town council.

Never dispose of a battery in a garbage bin. Comply with the disposal directions of the manufacturer or his representative and dispose of them at the proper place of collection of your local town council.

**WARNING: This product contains chemicals known to the State of California to cause cancer and birth defects or other reproductive harm.**

## COMPLIANCE STATEMENTS

---

### FCC COMPLIANCE

This device complies with Part 15 of the FCC rules.

#### **Operation is subject to the following two conditions:**

1. This device may not cause harmful interference.
2. This device must accept any interference that may be received, including interference that may cause undesired operation.

Changes or modifications not expressly approved by Johnson Outdoors Marine Electronics, Inc. could void the user's authority to operate this equipment.

**NOTE:** This equipment has been tested and found to comply with the limits for a Class A digital device, pursuant to part 15 of the FCC Rules. These limits are designed to provide reasonable protection against harmful interference in a commercial installation. This equipment generates, uses and can radiate radio frequency energy and, if not installed and used in accordance with the instructions, may cause harmful interference to radio communications. However, there is no guarantee that interference will not occur in a particular installation. **If this equipment does cause harmful interference to radio or television reception, which can be determined by turning the equipment off and on, the user is encouraged to try to correct the interference by one or more of the following measures:**

- Reorient or relocate the receiving antenna.
- Increase the separation between the equipment and receiver.
- Connect the equipment into an outlet on a circuit different from that to which the receiver is connected.
- Consult the dealer or an experienced radio/TV technician for help.

### INDUSTRY CANADA COMPLIANCE

This product meets the applicable Industry Canada technical specifications. Operation is subject to the following two conditions: (1) this device may not cause interference, and (2) this device must accept any interference, including interference that may cause undesired operation of the device.

Changes or modifications not expressly approved by Johnson Outdoors Marine Electronics, Inc. could void the user's authority to operate this equipment.

### ENVIRONMENTAL RATINGS

Ambient operating temperature range: -10C to 50C

Ambient operating humidity range: 5% to 95%

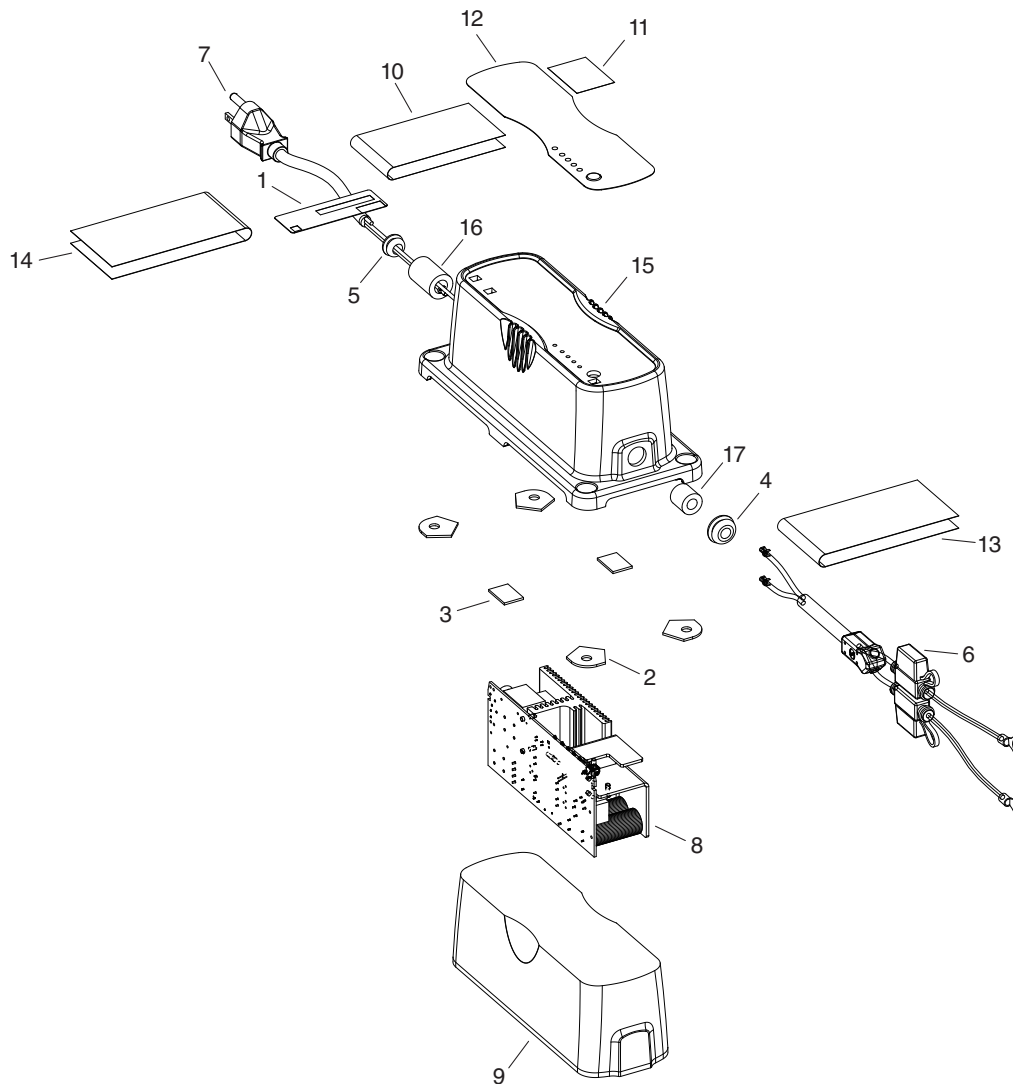
Maximum operating altitude: 10,000 feet

# PARTS DIAGRAM & LIST

## MK106PC / MK110PC

This page provides Minn Kota® WEEE compliance instructions. Charger can not be disassembled, but the cords can be cut and removed. For more information about where you should dispose of your waste equipment for recycling and recovery and/or your European Union member state requirements, please contact your dealer or distributor from which your product was purchased.

Tools required, but not limited to: wire cutters.



ITEM	QTY	DESCRIPTION
1	1	SERIAL NUMBER DECAL-CORD
2	4	RUBBER MOUNTING PAD - ROUND
3	2	RUBBER MOUNTIN PAD - SQUARE
4	1	GROMMET
5	1	GROMMET
6	1	OUTPUT CORD TWO COND.16AWG
7	1	INPUT CORD 18AWG
8	1	BOARD ASSEMBLY
9	1	BOARD POTTING

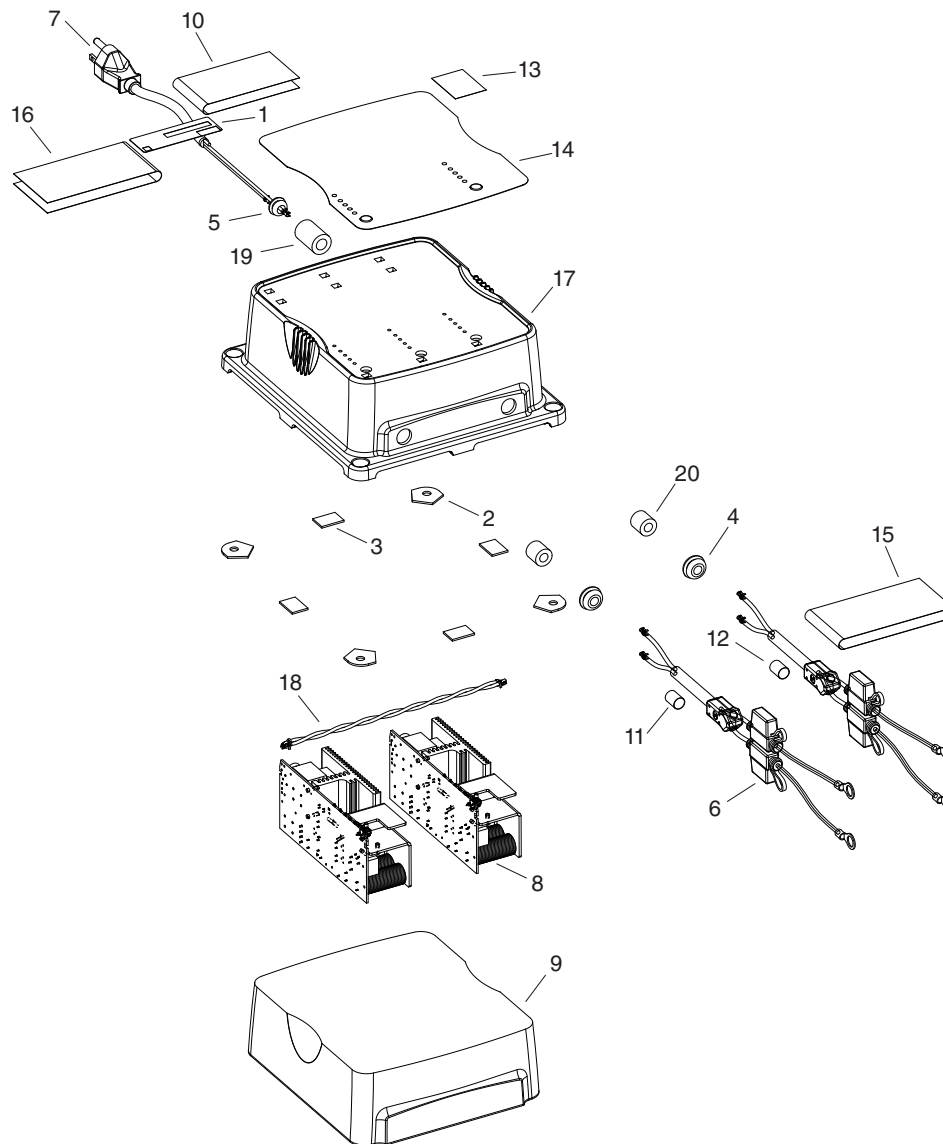
ITEM	QTY	DESCRIPTION
10	1	INPUT WARNING LABEL
11	1	BATTERY SELECTION OVERLAY
12	1	DECAL
13	1	ERROR CODE DECAL
14	1	WARNING DECAL
15	1	ONE BANK PC CHARGER COVER
16	1	FERRITE BEAD
17	1	FERRITE BEAD

# PARTS DIAGRAM & LIST

## MK212PC / MK220PC

This page provides Minn Kota® WEEE compliance instructions. Charger can not be disassembled, but the cords can be cut and removed. For more information about where you should dispose of your waste equipment for recycling and recovery and/or your European Union member state requirements, please contact your dealer or distributor from which your product was purchased.

Tools required, but not limited to: wire cutters.



ITEM	QTY	DESCRIPTION
1	1	SERIAL NUMBER DECAL-CORD
2	4	RUBBER MOUNTING PAD - ROUND
3	4	RUBBER MOUNTIN PAD - SQUARE
4	2	GROMMET
5	1	GROMMET
6	2	OUTPUT CORD TWO COND. 16AWG
7	1	INPUT CORD 18AWG
8	2	BOARD ASSEMBLY
9	1	BOARD POTTING
10	1	INPUT WARNING LABEL

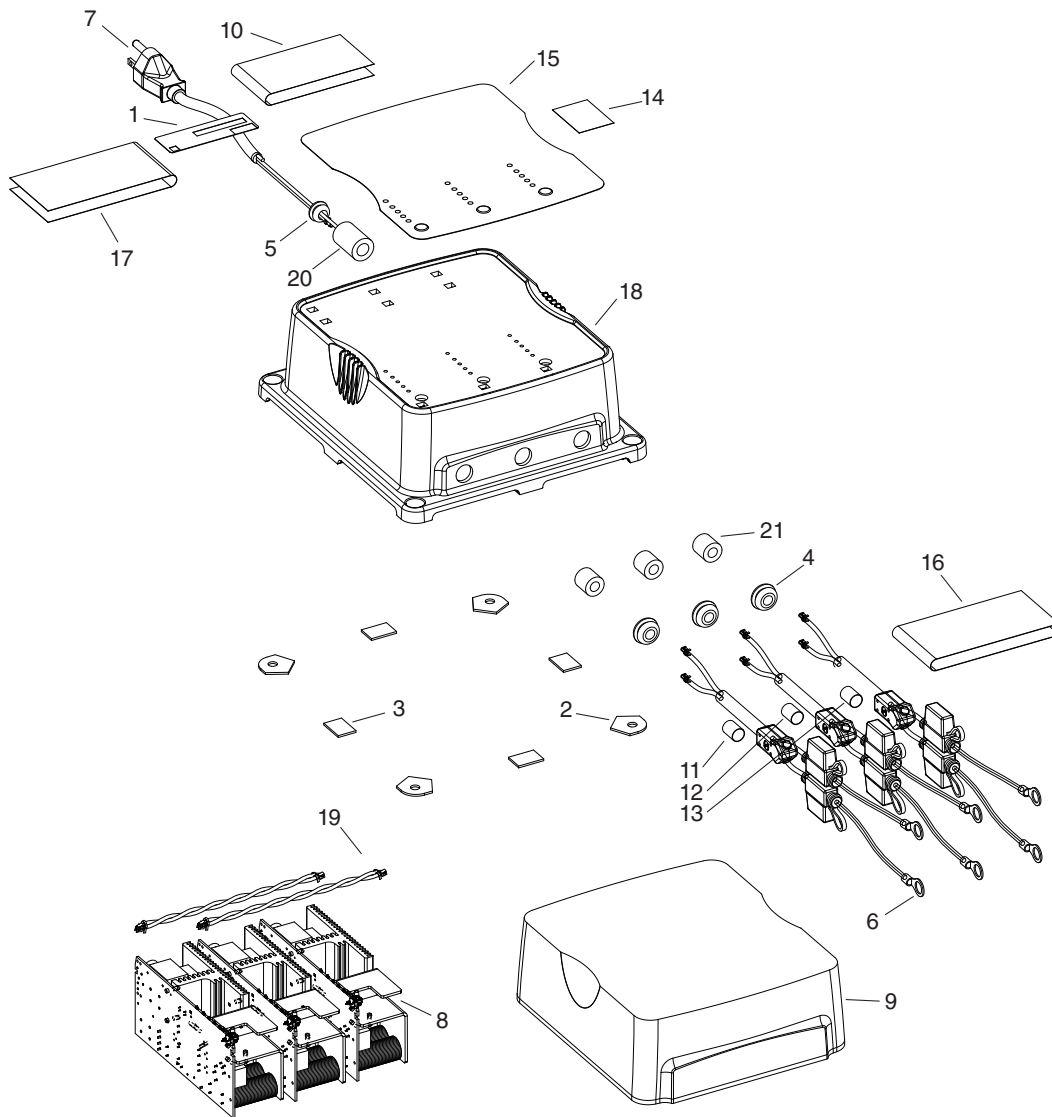
ITEM	QTY	DESCRIPTION
11	1	BANK 1 DECAL
12	1	BANK 2 DECAL
13	1	BATTERY SELECT OVERLAY
14	1	DECAL
15	1	ERROR CODE DECAL
16	1	WARNING DECAL
17	1	COVER PC. CHARGERS TWO BANK
18	1	AC BOARD CONNECTION 18AWG
19	1	FERRITE BEAD
20	2	FERRITE BEAD

# PARTS DIAGRAM & LIST

## MK318PC / MK330PC

This page provides Minn Kota® WEEE compliance instructions. Charger can not be disassembled, but the cords can be cut and removed. For more information about where you should dispose of your waste equipment for recycling and recovery and/or your European Union member state requirements, please contact your dealer or distributor from which your product was purchased.

Tools required, but not limited to: wire cutters.



ITEM	QTY	DESCRIPTION
1	1	SERIAL NUMBER DECAL-CORD
2	4	RUBBER MOUNTING PAD - ROUND
3	2	RUBBER MOUNTIN PAD - SQUARE
4	1	GROMMET
5	1	GROMMET
6	3	OUTPUT CORD TWO COND. 16AWG
7	1	INPUT CORD 18AWG
8	1	BOARD ASSEMBLY
9	1	BOARD POTTING
10	1	INPUT WARNING LABEL
11	1	BANK 1 DECAL

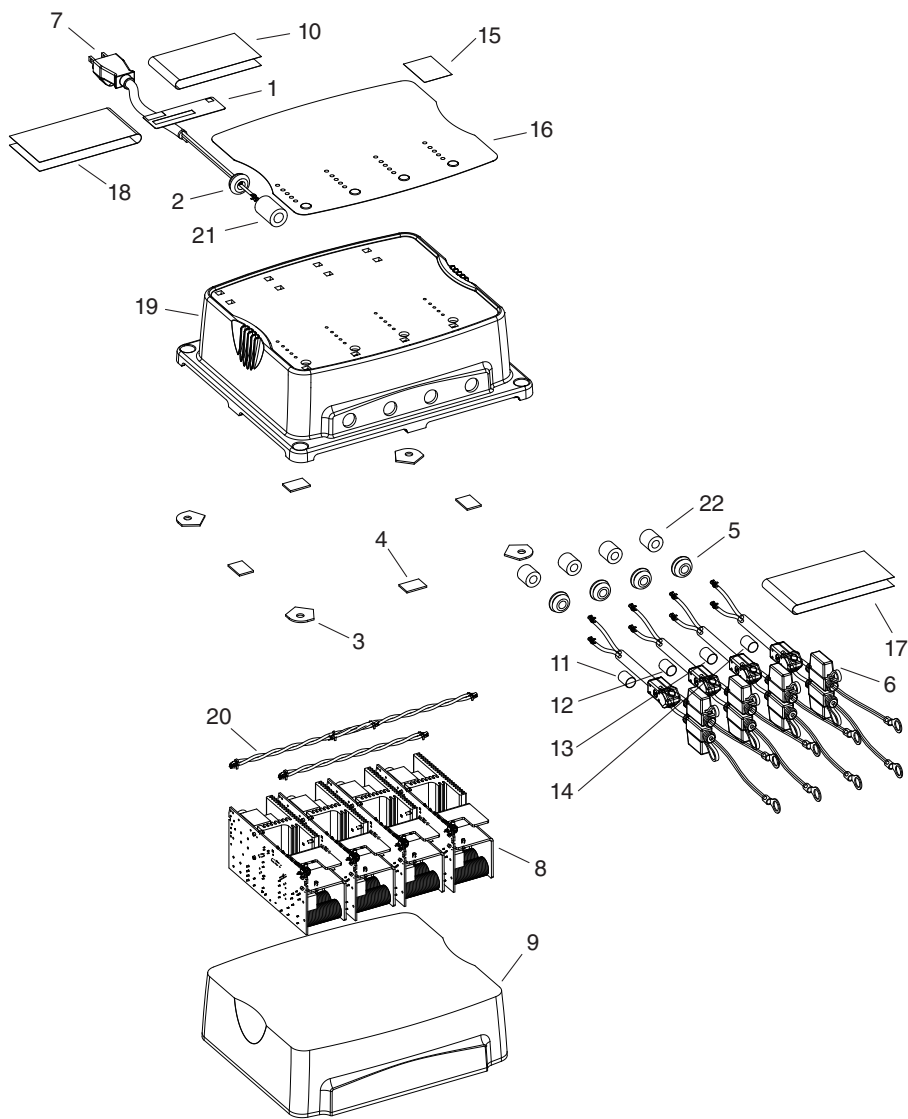
ITEM	QTY	DESCRIPTION
12	1	BANK 2 DECAL
13	1	BANK 3 DECAL
14	1	BATTERY SELECT OVERLAY
15	1	DECAL
16	1	ERROR CODE DECAL
17	1	WARNING DECAL
18	1	COVER PC. CHARGERS TWO BANK
19	2	AC BOARD CONNECTION
20	1	FERRITE BEAD
21	3	FERRITE BEAD

# PARTS DIAGRAM & LIST

## MK440PC

This page provides Minn Kota® WEEE compliance instructions. Charger can not be disassembled, but the cords can be cut and removed. For more information about where you should dispose of your waste equipment for recycling and recovery and/or your European Union member state requirements, please contact your dealer or distributor from which your product was purchased.

Tools required, but not limited to: wire cutters.



ITEM	QTY	DESCRIPTION
1	1	SERIAL NUMBER DECAL-CORD
2	1	GROMMET
3	4	RUBBER MOUNTING PAD - ROUND
4	4	RUBBER MOUNTIN PAD - SQUARE
5	4	GROMMET
6	4	OUTPUT CORD TWO COND. 16AWG
7	1	INPUT CORD 18AWG
8	1	BOARD ASSEMBLY
9	1	BOARD POTTING
10	1	INPUT WARNING LABEL
11	1	BANK 1 DECAL

ITEM	QTY	DESCRIPTION
12	1	BANK 2 DECAL
13	1	BANK 3 DECAL
14	1	BANK 4 DECAL
15	1	BATTERY SELECT OVERLAY
16	1	DECAL
17	1	ERROR CODE DECAL
18	1	WARNING DECAL
19	1	COVER PC. CHARGERS TWO BANK
20	3	AC BOARD CONNECTION
21	1	FERRITE BEAD
22	4	FERRITE BEAD

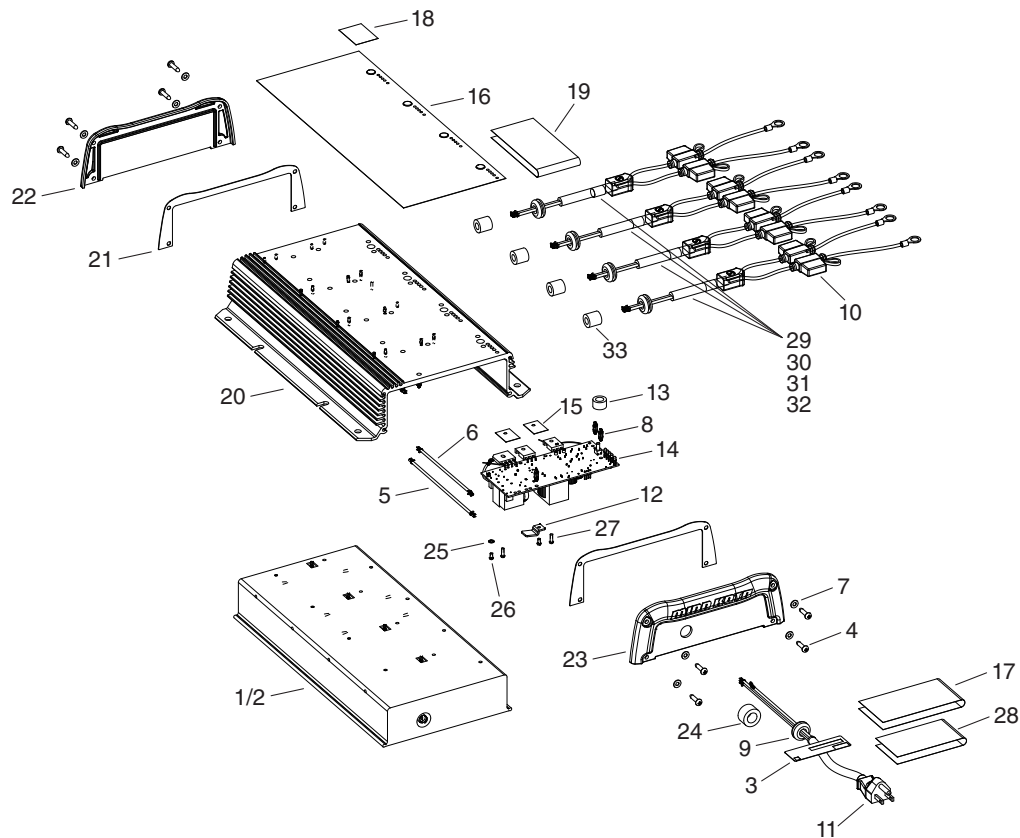


# PARTS DIAGRAM & LIST

## MK230PC / MK345PC / MK460PC

This page provides Minn Kota® WEEE compliance instructions. Charger can not be disassembled, but the cords can be cut and removed. For more information about where you should dispose of your waste equipment for recycling and recovery and/or your European Union member state requirements, please contact your dealer or distributor from which your product was purchased.

Tools required, but not limited to: wire cutters.



ITEM	QTY	DESCRIPTION
1	1	POTTING PART A
2	1	POTTING PART B
3	1	SERIAL NUMBER DECAL-CORD
4	8	SCREW
5	3	AC BOARD CONNECTION 16AWG WHITE
6	3	AC BOARD CONNECTION 16AWG BLACK
7	8	WASHER
8	12	STAND OFF, 0.25"
9	5	GROMMET
10	4	OUTPUT CORD
11	1	INPUT CORD, 14 AWG
12	4	SPRING CLIP
13	4	GASKET
14	4	BOARD ASSEMBLY
15	8	INSULATING PAD
16	1	MK230PC DECAL
	1	MK345PC DECAL
	1	MK460PC DECAL
17	1	MK230PC WARNING DECAL
	1	MK345PC WARNING DECAL

ITEM	QTY	DESCRIPTION
	1	MK460PC WARNING DECAL
18	1	BATTERY TYPE OVERLAY LABEL
19	1	ERROR CODE DECAL - PC
20	1	EXTRUSION - MK230
	1	EXTRUSION - MK345
	1	EXTRUSION - MK460
21	2	GASKET
22	1	ENDCAP
23	1	ENDCAP, 1 OUTPUT
24	1	FERRITE BEAD
25	4	WASHER
26	8	SCREW
27	8	SCREW
28	1	INPUT WARNING LABEL
29	1	BANK 1 DECAL
30	1	BANK 2 DECAL
31	1	BANK 3 DECAL (345PC & 460PC ONLY)
32	1	BANK 4 DECAL (460PC ONLY)
33	4	FERRITE BEAD

# RECOMMENDED ACCESSORIES

## CHARGER OUTPUT EXTENSION CABLES (MK-EC-15)

Extension cables are ideal when standard charger cables will not reach bow, center or transom battery compartments. Features WAGO® Wall-Nut™ quick connectors (UL Listed). Fused (30 amp) positive and negative leads. Available in 15' length.



## AC POWER PORT (FRESHWATER & SALTWATER)

Our convenient adapter allows quick thru-hull connection to an AC extension cord using the male AC plug from any of our chargers. No cutting or splicing required. The watertight cover and gasket prevent corrosion on the AC plug when it isn't in use.



MKR-21



MKR-23

## TALON SHALLOW WATER ANCHOR

Talon deploys faster, holds stronger and runs quieter than any other shallow water anchor. Available in depths up to 12' and bold color options including camo, it boasts an arsenal of features and innovations that no other anchor can touch:



- Vertical, Multi-Stage Deployment
- User-Selectable Anchoring Modes
- 2x Anchoring Force
- Fast Deploy
- Auto Up/Down
- Triple Debris Shields
- Built-In Wave Absorption
- Noise Dissipation
- Versatile Adjustments

## MINN KOTA ACCESSORIES

We offer a wide variety of trolling motor accessories, including:



- 60-Amp Circuit Breaker
- Mounting Brackets
- Stabilizer Kits
- Extension Handles
- Battery Connectors
- Battery Boxes
- Quick Connect Plugs

For a complete listing of Trolling Motor Accessories, visit [minnkotamotors.com](http://minnkotamotors.com)

Follow us:



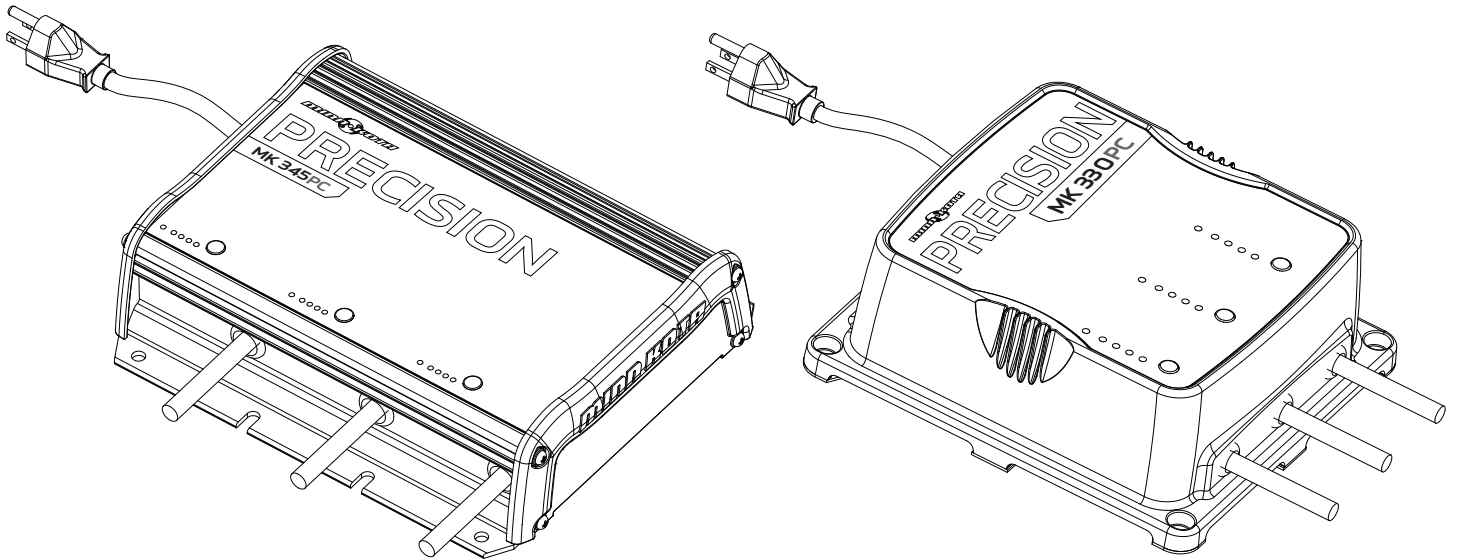
[minnkotamotors.com](http://minnkotamotors.com)

Minn Kota Consumer & Technical Service  
Johnson Outdoors Marine Electronics, Inc.  
PO Box 8129  
Mankato, MN 56001

121 Power Drive  
Mankato, MN 56001  
Phone (800) 227-6433  
Fax (800) 527-4464



©2016 Johnson Outdoors Marine Electronics, Inc.  
All rights reserved.



# CHARGEURS DE BORD PRECISION

MK106PC  
MK212PC  
MK230PC  
MK330PC  
MK440PC

MK110PC  
MK220PC  
MK318PC  
MK345PC  
MK460PC

USER MANUAL

# MERCI

Nous vous remercions d'avoir choisi Minn Kota. Nous sommes persuadés que vous devriez consacrer plus de temps à pêcher et moins de temps à amarrer votre bateau. C'est la raison pour laquelle nous construisons les articles marins les plus intelligents, les plus solides et les plus intuitifs. Chaque aspect d'un article Minn Kota est envisagé et étudié jusqu'à ce qu'il soit digne de porter notre nom. Des heures incalculables de recherche et d'essai vous assurent les avantages d'un article Minn Kota qui vous mènera n'importe où, n'importe quand. « Nous croyons que les raccourcis ne satisfont que ceux qui se contentent de moins. Nous sommes Minn Kota. Et nous ne cesserons jamais de vous aider à pêcher plus de poissons.

N'oubliez pas de conserver votre reçu et d'enregistrer immédiatement votre article.

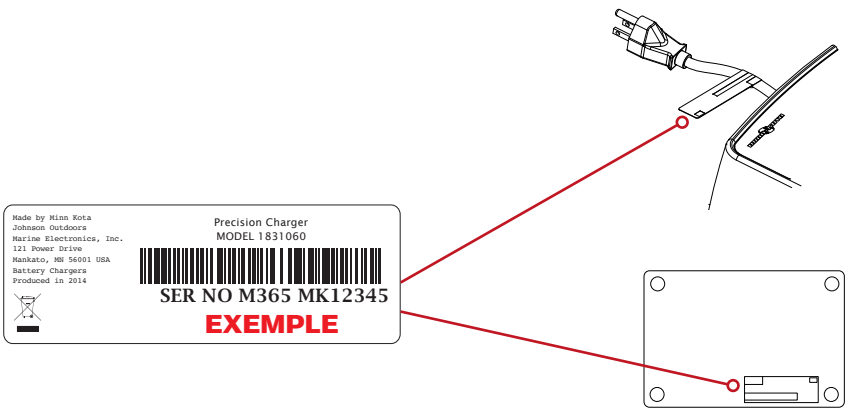
Vous pouvez remplir le formulaire d'enregistrement par Internet à l'adresse [www.minnkotamotors.com](http://www.minnkotamotors.com).

REMARQUE : Ne retournez pas votre article Minn Kota à votre détaillant. Votre détaillant n'est pas autorisé à réparer ou à remplacer cet appareil. Vous pouvez obtenir le service en appelant Minn Kota au (800) 227-6433; en retournant votre moteur au Centre de service de la manufacture Minn Kota, en envoyant ou en emmenant votre article à un centre de service agréé de Minn Kota. Une liste des centres de service agréés est disponible sur notre site Web sous [www.minnkotamotors.com/service/asclocator.aspx](http://www.minnkotamotors.com/service/asclocator.aspx). Veuillez inclure une preuve d'achat, le numéro de série ainsi que la date d'achat pour obtenir un service sous garantie pour les options mentionnées ci-dessus. Veuillez lire attentivement ce manuel de l'utilisateur. Suivez toutes les instructions et tenez compte de toutes les consignes de sécurité et de mise en garde décrites ci-dessous. L'utilisation de cet article n'est autorisée que pour les personnes qui ont lu et compris ces instructions. Les mineurs peuvent utiliser ce moteur uniquement sous la supervision d'un adulte.

**LOCALISATION DE VOTRE NUMÉRO DE SÉRIE**


Votre numéro de série Minn Kota à 11 caractères est très important. Cela permet de déterminer le modèle spécifique et l'année de fabrication. Lorsque vous contactez le service à la clientèle ou que vous enregistrez votre article, vous aurez besoin du numéro de série de votre article. Nous vous suggérons d'inscrire le numéro de série dans l'espace fourni ci-dessous afin qu'il soit disponible ultérieurement. Le format du numéro de série peut inclure MKAD1234567 ou J123MK12345

**Le numéro de série de votre chargeur Precision se trouve sur le cordon d'entrée et en dessous du chargeur.**



Made by Minn Kota  
Johnson Outdoors  
Marine Electronics, Inc.  
121 Power Drive  
Mankato, MN 56001 USA  
Battery Chargers  
Produced in 2014

Precision Charger  
MODEL 1831060



SER NO M365 MK12345  
**EXEMPLE**

Modèle : \_\_\_\_\_

Numéro de série : \_\_\_\_\_

Date de l'achat : \_\_\_\_\_

Magasin où l'achat a été effectué : \_\_\_\_\_

# TABLE DES MATIÈRES

---

<b>Garantie Limitée de Trois Ans</b>	30
<b>Caractéristiques</b>	31
<b>Précautions de Sécurité</b>	32-34
<b>Installation</b>	35-36
Emplacement du Chargeur	35
Montage du Chargeur	35
Installation de la Rallonge MK-EC (non incluse)	36
<b>Fonctionnement du Chargeur</b>	37-40
Vue d'ensemble	37
Sélection du Type de Batterie	38
Fonctionnement Général	38
Indicateurs DEL	39
Charge Multiphase	39-40
<b>Dépannage</b>	41
<b>Foire Aux Questions</b>	42-43
<b>Service et Entretien</b>	44
<b>Déclaration de Conformité</b>	45
<b>Schéma des Pièces et Listes des Pièces</b>	47-51

# GARANTIE DE REMPLACEMENT DE TROIS ANS

## GARANTIE DES DE CHARGEURS DE BATTERIES

Johnson Outdoors Marine Electronics, Inc. (« JOME ») offre la garantie limitée suivante uniquement à l'acheteur au détail initial. La garantie n'est pas transférable.

### GARANTIE LIMITÉE DE TROIS ANS DE MINN KOTA SUR L'ENSEMBLE DU PRODUIT

JOME garantit uniquement à l'acheteur au détail initial que son nouveau propulseur électrique pour eau douce Minn Kota est exempt de défauts résultant d'un vice de fabrication et de main-d'œuvre pouvant survenir au cours des trois (3) ans suivant la date d'achat. JOME se réserve le droit de réparer ou de remplacer, au choix et gratuitement, toute pièce pouvant s'avérer défectueuse pendant la durée de la présente garantie. Cette réparation ou ce remplacement est l'unique et exclusive responsabilité de JOME et constitue le seul recours de l'acheteur pour tout manquement à la présente garantie.

### EXCLUSIONS & LIMITATIONS

La présente garantie limitée ne s'applique pas aux produits qui ont été utilisés en eau salée, en eau saumâtre ou à des fins commerciales ou locatives. Cette garantie ne couvre pas l'usure normale, les imperfections qui n'affectent pas le fonctionnement du moteur, ni les dommages causés par les accidents, l'abus, l'altération, la modification, les dommages durant le transport, les désastres naturels, la négligence de l'utilisateur, l'utilisation abusive, un soin ou un entretien inadéquat. **LES DOMMAGES CAUSÉS PAR L'UTILISATION DE PIÈCES DE REMPLACEMENT NON CONFORMES AUX SPÉCIFICATIONS DE CONCEPTION DES PIÈCES ORIGINALES NE SONT PAS COUVERTS PAR LA PRÉSENTE GARANTIE LIMITÉE.** Le coût de l'entretien normal ou des pièces de rechange qui ne contreviennent pas à la garantie limitée incombe à l'acheteur. Avant utilisation, l'acheteur doit déterminer si le produit convient à l'emploi prévu et assume tous les risques et responsabilités connexes. Toute assistance fournie par JOME à l'acheteur ou au nom de ce dernier hors du cadre des modalités, des restrictions et des exclusions de la présente garantie limitée ne constitue pas une renonciation à l'égard de telles modalités, restrictions ou exclusions, et une telle assistance n'aura pas pour effet de prolonger ni de restaurer la garantie. JOME ne remboursera aucune dépense encourue par l'acheteur dans le cadre de la réparation, de la correction ou du remplacement de pièces ou de produits défectueux, à l'exception des dépenses engagées sur consentement écrit préalable de JOME. **LA RESPONSABILITÉ GLOBALE DE JOME À L'ÉGARD DES PRODUITS COUVERTS PAR LA GARANTIE EST LIMITÉE À UN MONTANT ÉQUIVALENT AU PRIX D'ACHAT PAYÉ POUR LE PRODUIT EN QUESTION.**

### INFORMATION SUR LE SERVICE MINN KOTA

Pour obtenir le service au titre de la garantie aux États-Unis, le produit jugé défectueux et la preuve d'achat originale (comportant la date d'achat), doivent être présentés au centre de service de l'usine de Minn Kota à Mankato, au Minnesota. Tous les frais encourus pour des appels de service, de transport ou d'expédition à destination ou à partir du centre de service agréé ou de l'usine Minn Kota, de main-d'œuvre pour transporter, retirer, réinstaller ou regérer les articles retirés pour le service de garantie, ou tout autre élément similaire, sont sous la seule et unique responsabilité unique et exclusive de l'acheteur. Les articles achetés à l'extérieur des États-Unis doivent être retournés, port payé avec la preuve d'achat (y compris la date d'achat et le numéro de série), à tout centre de service agréé Minn Kota dans le pays de l'achat. Le service au titre de la garantie peut être obtenu en communiquant avec le centre de service agréé de Minn Kota ou l'usine au +1 (800) 227-6433 ou par courriel à l'adresse suivante [service@minnkotamotors.com](mailto:service@minnkotamotors.com). Les produits réparés ou remplacés seront garantis pour la durée restante de la période de garantie initiale [ou pendant 90 jours à compter de la date de réparation ou de remplacement, la période la plus longue étant retenue]. Tout produit retourné aux fins de services en vertu de la garantie qui, selon JOME, n'est pas couvert par la garantie limitée ou n'y contrevient pas sera facturé pour les services rendus au taux horaire de main-d'œuvre affiché en vigueur, pour une facturation minimale d'une heure.

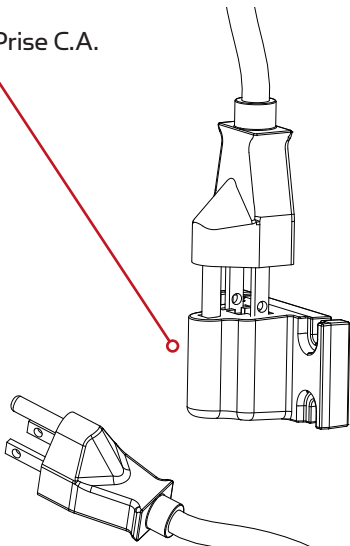
**REMARQUE:** ne pas retourner l'article Minn Kota au détaillant. Le détaillant n'est pas autorisé à le réparer ou à le remplacer.

**IL N'Y A AUCUNE GARANTIE EXPRESSE AUTRE QUE LES PRÉSENTES GARANTIES LIMITÉES. AUCUNE GARANTIE IMPLICITE, Y COMPRIS QUELQUE GARANTIE IMPLICITE DE QUALITÉ MARCHANDE OU D'ADÉQUATION À UN USAGE PARTICULIER, NE SE PROLONGERA AU-DELÀ DE LA DURÉE DE LA PRÉSENTE GARANTIE LIMITÉE EXPRESSE. JOME NE POURRA EN AUCUNE FAÇON ÊTRE TENUE RESPONSABLE DES DOMMAGES PUNITIFS, INDIRECTS, ACCESSOIRES, CONSÉCUTIFS OU PARTICULIERS. Sans limiter la portée de ce qui précède, JOME décline toute responsabilité en cas de perte d'utilisation du produit, perte de temps, d'inconvénient et d'autre dommage.**

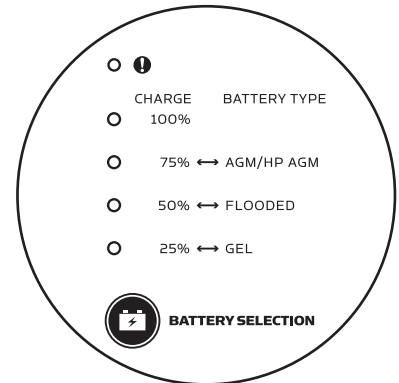
Certains états ne permettent pas de limites sur la durée d'une garantie implicite ou l'exclusion ou limitation des dommages accessoires ou indirects, donc, les limitations ou exclusions ci-dessus peuvent ne pas s'appliquer à vous. La présente garantie vous donne des droits légaux spécifiques et vous pouvez également bénéficier d'autres droits qui varient d'un État à l'autre.

# CARACTÉRISTIQUES

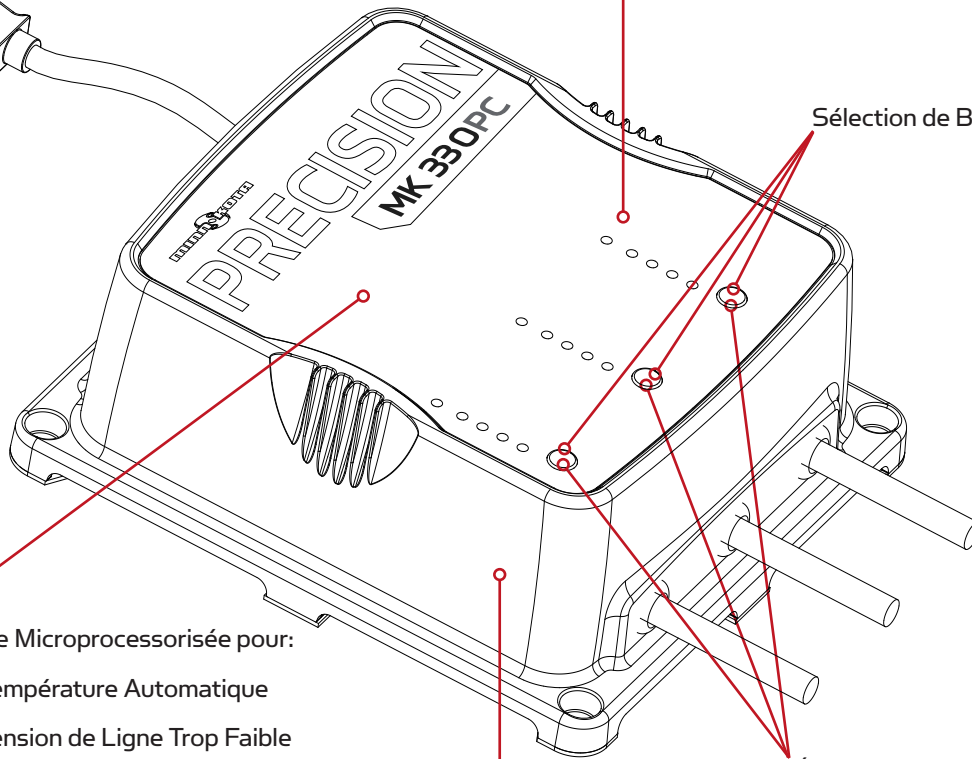
Porte Prise C.A.



Affichage à DEL complet



Sélection de Batterie par Banc



Conception Numérique Microprocessorisée pour:

- Compensation de Température Automatique
- Compensation de Tension de Ligne Trop Faible
- Chargement Multiétagé Automatique
- Puissance Nominale Vraie

Égalisation de la batterie  
(plomb/acide seulement)

Construction imperméable, résistante  
aux chocs et aux vibrations

Les spécifications sont sujettes à changement sans préavis.

\*Le schéma est fourni aux fins de référence seulement et peut différer de votre chargeur actuel.

# PRÉCAUTIONS DE SÉCURITÉ

## CONSERVEZ CES CONSIGNES!

Ce manuel contient d'importantes instructions de fonctionnement et de sécurité liées à l'emploi sûr et efficace de votre chargeur de batterie Minn Kota.

**AVERTISSEMENT:** risque de gaz explosifs - travailler autour d'une batterie à acide de plomb est dangereux. Les batteries contiennent de l'acide sulfurique et produisent des gaz explosifs. Une explosion de batterie peut entraîner la perte de la vue ou des brûlures graves. Pour cette raison, il est extrêmement primordial que vous suiviez ces instructions chaque fois que vous utilisez le chargeur.

Pour réduire le risque d'explosion de batterie, suivez ces instructions et celles publiées par le fabricant de batterie pour tout équipement que vous prévoyez utiliser près de la batterie. Réviser les marques d'avertissement sur ces produits et sur le moteur ou autre équipement nécessitant l'emploi de batterie.

**AVERTISSEMENT:** ne tentez pas de réparer le chargeur vous-même. L'ouverture du chargeur peut vous exposer à des tensions élevées, des risques d'électrocution et d'autres dangers.

## CONSIGNES DE SÉCURITÉ IMPORTANTES

- Votre chargeur Minn Kota est un appareil électrique puissant. S'il est mal installé, configuré ou utilisé, le chargeur peut endommager les batteries et/ou l'équipement électrique. Veuillez lire complètement les instructions et l'information sur la sécurité contenues dans ce manuel avant de l'utiliser.
- L'utilisation d'un accessoire pas recommandé ni vendu par Johnson Outdoors Inc. peut entraîner un risque d'incendie, de chocs électriques, de blessures corporelles ou de dégâts matériels.
- Le chargeur n'est pas destiné à être utilisé par les enfants en bas âges ou les personnes infirmes sans surveillance. Les enfants en bas âges devraient être surveillés pour garantir qu'ils ne joueront pas avec le chargeur.
- Afin de réduire le risque de dégâts à la fiche ou au câble électrique, tirez sur la fiche plutôt que sur le câble pour débrancher le chargeur de batterie.
- Une rallonge ne devrait être utilisée que s'il en est absolument nécessaire. L'utilisation d'une mauvaise rallonge pourrait résulter en un risque d'incendie ou de chocs électriques. Si vous devez utiliser une rallonge, assurez-vous que:
  - il y a autant de broches sur la fiche de la rallonge qu'il y en a sur le chargeur de batterie et qu'elles soient de la même taille et forme;
  - la rallonge est proprement câblée et en bon état électrique; et
  - les fils dans la rallonge sont de la bonne taille comme suivant:
- N'utilisez pas le chargeur de batterie avec un câble ou une fiche endommagé.
- N'utilisez pas le chargeur de batterie s'il a reçu un coup sec, s'il est tombé ou s'il a de toute autre manière été endommagé.
- Ne démontez pas le chargeur. Le mauvais remontage peut entraîner un risque de choc électrique ou d'incendie.
- Afin de réduire le risque de chocs électriques, débranchez le chargeur de la prise avant d'essayer tout entretien ou nettoyage. Débrancher les fils ne réduira pas ce risque.
- Afin de réduire le risque de choc électrique ou d'étincelle électrique, ne mettez jamais en contact les cosses à anneau les unes avec les autres alors que le chargeur est branché à la prise ou à la rallonge.
- Les connexions externes au chargeur se plieront au Garde-côte Américain les règlements électriques (33CFR183, Sub Part 1).

	25' AC Ext. Cord	50' AC Ext. Cord	100' AC Ext. Cord
<b>MK106PC/MK110PC/MK212PC/MK106D/MK210D</b>			
AWG Size	18	18	16
<b>MK440PC/MK345PC/MK440D</b>			
AWG Size	16	12	10
<b>MK220PC/MK230PC/MK318PC/MK330PC/MK220D/MK315D/MK330D</b>			
AWG Size	16	16	12
<b>MK460PC</b>			
AWG Size	14	12	10



## PRÉCAUTIONS PERSONNELLES

- a. Pensez à avoir quelqu'un assez proche de vous pour vous venir en aide quand vous travaillez près d'une batterie à acide de plomb.
- b. Ayez beaucoup d'eau douce et de savon à proximité au cas où de l'acide de batterie toucherait votre peau, vos vêtements ou vos yeux.
- c. Portez une protection complète pour vos yeux, ainsi que pour vos vêtements. Évitez de vous toucher les yeux alors que vous travaillez près d'une batterie.
- d. Si l'acide de la batterie entre en contact avec la peau ou les vêtements, lavez immédiatement la zone touchée avec de l'eau et du savon. Si l'acide pénètre dans les yeux, rincez immédiatement les yeux avec de l'eau froide pendant au moins 10 minutes et obtenez des soins médicaux sans délai.
- e. Ne fumez ni ne permettez jamais d'étincelle ou de flamme à proximité d'une batterie, d'un moteur ou d'autres équipements inflammables ou explosifs.
- f. Soyez extrêmement prudent pour réduire le risque de laisser tomber un outil métallique sur la batterie ou les bornes de la batterie. Cela pourrait provoquer une étincelle ou court-circuiter la batterie ou d'autre composant électrique, ce qui peut provoquer une explosion.
- g. Enlevez les articles personnels en métal comme des bagues, bracelets, colliers et montres quand vous travaillez avec une batterie à acide de plomb. Une batterie à acide de plomb peut produire un courant de court-circuit assez élevé pour souder de tels articles, causant des brûlures graves.
- h. Utilisez le chargeur de batterie Minn Kota pour le chargement et le maintien de la charge des batteries PLOMB/ACIDE, SANS ENTRETIEN, CELLULE GEL ET AGM/APPAUVRIE EN ÉLECTROLYTE seulement. Il n'est pas destiné à fournir de l'énergie à des systèmes électriques à basse tension autrement que pour le chargement et le maintien de la charge des batteries. N'utilisez pas le chargeur pour recharger les batteries de piles sèches qui sont couramment utilisées dans les appareils ménagers. Ces batteries peuvent exploser et causer des blessures aux personnes et des dommages aux biens.

## PRÉCAUTIONS POUR LES CONNEXIONS CC

- a. Le chargeur Minn Kota ne charge que les batteries plomb/acide de 12 volts et 6 cellules y compris les batteries plomb / acide, AGM et GEL inondées. Ne connectez pas la sortie du chargeur à une batterie de toute autre tension ou de tout autre type.
- b. Les bornes de sortie CC du chargeur sont conçues pour être montées et connectées à la batterie de façon permanente.
- c. Connectez et déconnectez les bornes de sortie CC seulement après avoir débranché la fiche CA de la prise électrique.
- d. Les câbles de sortie du chargeur doivent être connectés en respectant la polarité pour que le chargeur fonctionne. Le câble ROUGE doit être connecté à la borne POSITIVE de la batterie et le câble NOIR doit être connecté à la borne NÉGATIVE de la batterie, comme cela est indiqué dans e(5), e(6) et f(2), f(3).
- e. Suivez ces étapes quand le chargeur de batterie est installé dans un bateau ou un véhicule. Une étincelle près de la batterie peut en causer l'explosion. Afin de réduire le risque d'une étincelle près de la batterie:
  1. Positionnez les câbles de courant alternatif et de courant continu de façon à réduire les risques de dégâts causés par le capot, une portière ou des pièces mobiles du moteur.
  2. Restez à l'écart des pales de ventilateur, des courroies, des poulies et de toutes autres pièces qui peuvent causer des blessures corporelles.
  3. Vérifiez la polarité des bornes de batterie. La borne POSITIVE (POS, P, +) de la batterie est habituellement d'un diamètre plus large que celui de la NÉGATIVE (NEG, N, -).
  4. Déterminez quelle borne de la batterie est mise à la terre (connectée au châssis) (le cas échéant). Si la borne négative est mise à la terre sur la coque du bateau ou sur le châssis (comme sur la plupart des véhicules), voir (5) ci-dessous. Si la borne positive est mise à la terre sur la coque du bateau ou sur le châssis, voir (6) ci-dessous. Si rien n'est mis à la terre, l'ordre dans lequel les câbles de sortie sont connectés n'a pas d'importance.
  5. Pour les véhicules ou bateaux mis à la masse par le négatif, connectez tout d'abord la cosse de sortie POSITIVE (ROUGE) à la borne POSITIVE (POS, P, +), n'étant pas mise à la masse, de la batterie. Puis connectez la cosse de sortie NÉGATIVE (NOIRE) à la borne NÉGATIVE (NEG, N, -), mise à la masse, de la batterie.
  6. Pour les véhicules ou bateaux mis à la masse par le positif, connectez tout d'abord la cosse de sortie NÉGATIVE (NOIRE) à la borne NÉGATIVE (NEG, N, -), n'étant pas mise à la masse, de la batterie. Puis connectez la cosse de sortie POSITIVE (ROUGE) à la borne POSITIVE (POS, P, +), mise à la masse, de la batterie.
  7. Quand vous débranchez le chargeur, débranchez tout d'abord le câble de courant alternatif de la prise électrique.
  8. Voir les instructions de fonctionnement pour des informations sur la durée de la charge.

## PRÉCAUTIONS DE SÉCURITÉ

---

- f. Suivez ces étapes quand la batterie se trouve à l'extérieur du bateau ou du véhicule. Une étincelle près de la batterie peut en causer l'explosion. Afin de réduire le risque d'une étincelle près de la batterie:
1. Vérifiez la polarité des bornes de batterie. La borne POSITIVE (POS, P, +) de la batterie est habituellement d'un diamètre plus large que celui de la NÉGATIVE (NEG, N, -).
  2. Connectez la cosse de sortie POSITIVE (ROUGE) à la borne POSITIVE (POS, P, +) de la batterie.
  3. Connectez la cosse de sortie NÉGATIVE (NOIRE) à la borne NÉGATIVE (NEG, N, -) de la batterie.
  4. Ne faites pas face à la batterie quand vous réalisez la connexion finale.
  5. Quand vous débranchez le chargeur, débranchez tout d'abord le câble de courant alternatif de la prise électrique.
  6. Quand vous débranchez les cosses de sortie des bornes de la batterie, faites-le toujours dans l'ordre inverse à celui de la procédure de raccordement tout en restant aussi éloigné que possible de la batterie.
  7. Une batterie marine (sur un bateau) n'a pas à être déposée et chargée sur le quai. Néanmoins, les instructions liées à l'emplacement du chargeur doivent être suivies quand il est monté de façon permanente ou utilisé à bord.

## AC PRÉCAUTIONS DU CORDON D'ALIMENTATION

Le chargeur de batterie Minn Kota devrait être mis à la terre pour réduire les risques d'électrocution. Le chargeur est équipé d'un cordon d'alimentation électrique CA avec une prise. La fiche doit être branchée dans une prise qui est correctement installée en conformité avec tous les codes et règlements locaux.

**DANGER:** Ne modifiez jamais le cordon d'alimentation CA ou la fiche fournie – si elle ne s'adapte pas à la prise, faites installer une prise adéquate par un électricien qualifié. Une mauvaise connexion peut entraîner un risque d'électrocution.

**PRÉCAUTION:** Pour réduire les risques d'électrocution ou d'incendie, brancher le chargeur de la batterie directement dans une prise avec mise à la terre (trois broches). Les adaptateurs ne doivent pas être utilisés avec le chargeur de batterie.

**PRÉCAUTION:** Dû au haut courant de charge du chargeur Minn Kota, il est recommandé que chaque sortie ne soit connectée qu'à une batterie. Connecter 2 rangées à une batterie peut causer une chaleur excessive dans la batterie et une fuite d'acide ou l'explosion de la batterie..

# INSTALLATION

---

## EMPLACEMENT ET MONTAGE DU CHARGEUR

### EMPLACEMENT DU CHARGEUR

- a. Ne placez jamais le chargeur au-dessus de la batterie lors de la charge, car les gaz de la batterie corroderont et endommageront le chargeur.
- b. Ne laissez jamais l'acide de la batterie s'égoutter sur le chargeur lors de la lecture de la densité de l'électrolyte ou le remplissage de la batterie.
- c. N'utilisez pas le chargeur dans une zone fermée et ne bloquez pas la ventilation de quelque façon que ce soit.
- d. Ne placez pas la batterie sur le chargeur.
- e. Ne montez pas le chargeur en dessous de la ligne de flottaison du bateau ou directement à côté des réservoirs de carburant.
- f. Chaque câble de sortie de courant continu mesure 2 m (6 pi) de long. Assurez-vous que tous les fils de courant continu puissent atteindre les batteries et que le câble de courant alternatif puisse atteindre la source d'électricité. Quand vous utilisez une rallonge, connectez le courant alternatif au chargeur à l'extérieur du compartiment de batterie aussi loin que concevable pour réduire le risque d'une étincelle allumant les gaz dans le compartiment.
- g. Ne pas raccourcir les cordons de sortie DC, car cela peut affecter la production chargeur.
- h. Si les fils à courant continu de la batterie ne sont pas assez longs, ils peuvent être rallongés en épissant et soudant du fil de calibre 12 AWG (minimum). Chaque épissure devrait être couverte de tube thermorétractable à double paroi pour protéger le raccord contre la corrosion. L'épissure devrait être réalisée entre la fourche du câble de sortie et le porte-fusible. Le porte-fusible ne devrait jamais être à plus de 18 cm (7 po) des cosses de la batterie. La longueur maximale de rallonge est de 4,5 m (15 pi). Vous pouvez contacter le département d'entretien Minn Kota pour toute question.  
**AVERTISSEMENT:** Ne faites pas d'épissures sur le câble de courant alternatif puisque cela annule la garantie limitée de trois ans.
- i. Bien que le chargeur Minn Kota est capable de fonctionner dans des environnements à haute température ambiante, une zone sans obstruction d'un minimum de 15 cm (six po) devrait être prévue de chaque côté de l'unité pour offrir une circulation d'air et un refroidissement appropriés. De bons refroidissement et circulation permettront au chargeur de fonctionner à une efficacité de pointe.

### MONTAGE DU CHARGER

Prenez le temps de bien fixer le chargeur pour éviter tout dommage en raison du poids du chargeur et des chocs que les bateaux endurent régulièrement. Le montage avec des écrous, des boulons et des rondelles est préférable au montage avec des vis.

1. Utilisez des boulons du plus grand diamètre possible et utilisez les quatre trous de montage.
2. Après avoir marqué les emplacements, mettez le chargeur de côté et percez les trous.
3. Appliquez un scellant de silicone de qualité marine dans chacun des trous percés pour créer un joint étanche à l'eau.
4. Fixez ensuite le chargeur en place en utilisant le matériel de montage.

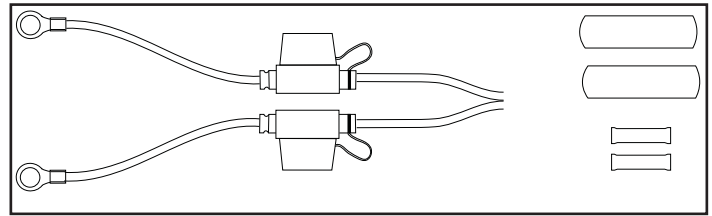
**REMARQUE:** Votre chargeur de batterie est fourni avec un support de fiche de courant alternatif conçu pour tenir la fiche du câble de courant quand elle n'est pas utilisée. Montez le support de fiche de courant alternatif avec quatre vis dans un endroit sec et pratique pour éviter la corrosion de la fiche de courant alternatif et pour éviter que la fiche de courant alternatif ne fasse contact avec les bornes de batterie.

**AVERTISSEMENT:** Assurez-vous que le chargeur est débranché de la prise de courant avant de connecter des batteries avec les câbles de sortie.

**ATTENTION:** Avant toute connexion à des batteries dans un espace confiné (comme le compartiment à batterie d'un bateau), ouvrez la porte ou la trappe du compartiment et laissez-le s'aérer pendant 15 minutes. Cela permet aux gaz qui se sont accumulés dans le compartiment de s'échapper.

## INSTALLATION OPTIONNELLE

Parts Included:	
Description	Qty.
15ft Extension Cable	1
Wire Splice	2
Adhesive Heat Shrink	2



(TROUSSE NO 1820089 EN OPTION, NON INCLUSE)

## INSTALLATION DE LA RALLONGE MK-EC

Les rallonges de sortie du chargeur de batterie Minn Kota sont idéales pour rallonger les câbles de sortie du chargeur qui n'atteignent pas les compartiments de batterie situés à l'avant, au centre ou à l'arrière du bateau. Faciles à installer avec des manchons thermorétractables, adhésifs et étanches pour utilisation en environnement d'eau salée. Chaque conducteur comporte un fusible pour le protéger contre les courts-circuits accidentels.

## LES OUTILS SUIVANTS SERONT NÉCESSAIRES:

- Coupe Fils
- Pincettes à Sertir
- Pincettes à Dénuder
- Pistolet de Chauffage

1. Débranchez la source de courant alternatif de votre chargeur et débranchez le chargeur de TOUTES les batteries.
2. Ouvrez la porte ou l'écrouille du compartiment et laissez-le aérer pendant 15 minutes. Ceci permet l'évacuation des gaz qui se sont accumulés dans le compartiment.
3. Trouvez le câble de sortie du chargeur que vous voulez rallonger et utilisez le coupe fils pour couper les fils rouge ou blanc (positif) et noir (négatif) avant les porte-fusibles.

**AVERTISSEMENT:** Quelques câbles de sortie comporteront un capteur de température dans le câble couvert par un tube thermorétractable. Vous devez couper avant le capteur de température pour éviter de l'endommager (voyez la figure 1).

4. Enlevez les morceaux lâches d'isolant des extrémités des fils de la rallonge et sertissez le fil noir (négatif) dans le manchon bout à bout au moyen des pincettes à sertir (voyez la figure 2).
5. Dénudez les fils du câble de sortie du chargeur sur 9,54 mm (3/8 po) s'ils sont d'un calibre de 12 AWG. Dénudez-les de 19,06 mm (3/4 po) s'ils sont de 14 AWG ou 16 AWG.
6. Placez un des manchons thermorétractables adhésifs sur le manchon bout à bout et sur le fil noir de la rallonge.
7. Pour le fil de 12 AWG, insérez le câble noir de sortie du chargeur dans le manchon bout à bout et sertissez-le à l'aide des pincettes à sertir. Pour le fil de 14 AWG ou 16 AWG, pliez la partie dénudée du fil noir de sortie du chargeur avant de l'insérer dans et de sertir le manchon.
8. Centrez le manchon thermorétractable adhésif sur le manchon bout à bout. À l'aide du pistolet de chauffage, chauffez le manchon thermorétractable adhésif jusqu'à ce qu'il scelle la connexion.
9. Répétez les étapes 4 à 8 pour connecter le fil rouge ou blanc (positive) au manchon bout à bout.
10. Préparez chaque batterie à l'avance en éliminant toute saleté, huile, corrosion, etc. Utilisez une solution à base de bicarbonate de soude et d'eau pour éliminer la corrosion. Essuyez-les avec un chiffon sec.
11. Acheminez la rallonge de sortie à l'écart de tout objet coupant. Ne retirez aucun porte-fusible, puisque des fusibles se trouvent dans les fils négatif et positif pour les protéger en cas de court-circuit.
12. Raccordez maintenant la rallonge à la batterie. Assurez-vous de connecter la cosse à œil du fil noir (négatif -) à la borne négative de la batterie et la cosse à œil du rouge (positif +) à la borne positive de la batterie.

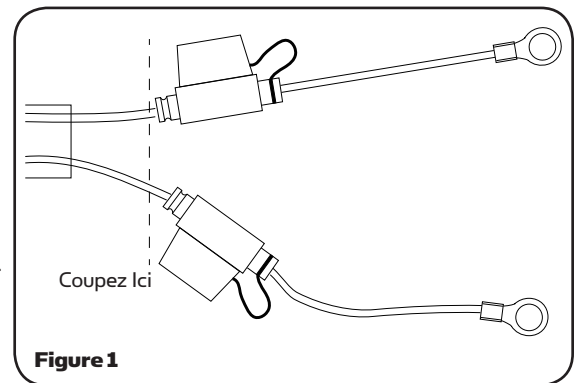


Figure 1

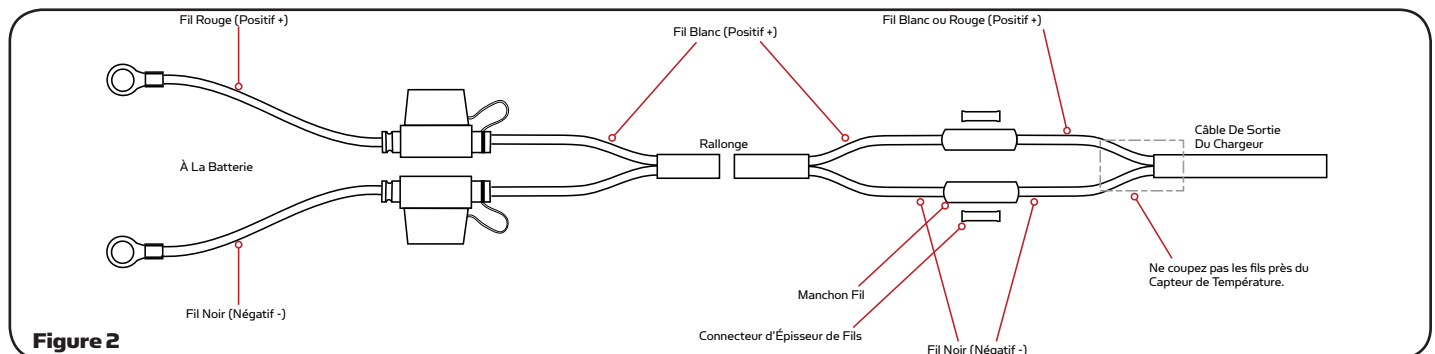


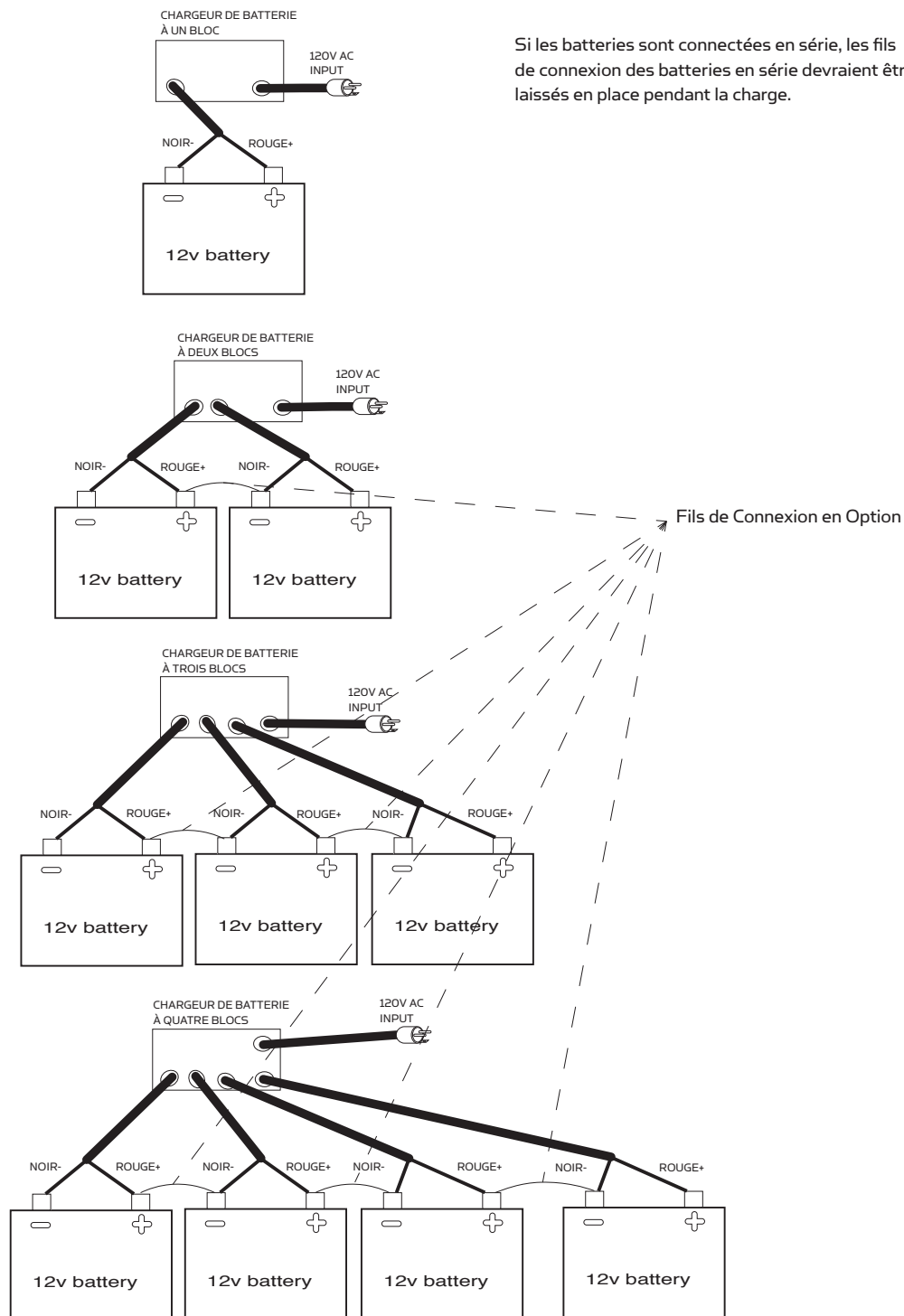
Figure 2

# FONCTIONNEMENT DU CHARGEUR

## VUE D'ENSEMBLE

Il s'agit d'un chargeur de batterie haute performance qui a la capacité de bien fonctionner en toute sécurité avec plusieurs types de batteries différentes. Il est important de lire et de comprendre comment utiliser correctement le chargeur de batterie avant de charger des batteries.

Chaque bloc de sortie est indépendant et est isolé des autres et de l'entrée CA. Le chargeur Minn Kota peut charger des batteries indépendantes ou des combinaisons de batteries branchées en série ou en parallèle sans déconnecter les batteries des commutateurs ou des câbles/sangles qui les relient.



# FONCTIONNEMENT DU CHARGEUR

## SÉLECTION DU TYPE DE BATTERIE

Le chargeur peut être commuté manuellement entre 4 modes différents; gel, plomb/acide, AGM/AGM haute performance, et égalisation. Vous aurez à configurer correctement chaque bloc de charge pour le bon type de batterie afin d'optimiser les performances de vos batteries et d'éviter les dommages (chaque bloc peut être réglé indépendamment). Le réglage par défaut est plomb/acide.

Pour définir le type de batterie:


1. Branchez le cordon d'alimentation CA du chargeur dans une prise secteur.
2. Tous les voyants DEL s'allument lors de la mise sous tension, puis la DEL de mise sous tension VERTE et une DEL JAUNE vont rester tempo rarement allumées. Cette DEL JAUNE indiquera le type de la batterie actuelle.
3. Appuyez et maintenez enfoncé le bouton de sélection de la batterie jusqu'à ce que la DEL JAUNE indique le type de batterie désirée puis relâchez le bouton. Le type de batterie sera sauvegardé même si le cordon d'alimentation CA ou les câbles de sortie CC sont déconnectés.

Les batteries plomb/acide doivent être égalisées conformément aux recommandations des fabricants de batteries. Seules les batteries plomb/acide doivent être égalisées. Le chargeur ne permettra la sélection du mode Égalisation que si la sélection précédente a été Plomb/acide. Pour définir le mode Égalisation, appuyez et maintenez le bouton de sélection de la batterie jusqu'à ce que les trois DEL JAUNES soient allumées puis relâchez le bouton. Le processus d'égalisation sera effectué en une seule occasion une fois en mode Égalisation. Une fois le cycle terminé ou si le cycle est interrompu (en débranchant le cordon d'alimentation CA ou CC), le chargeur va retourner au type de batterie plomb/acide.

**AVERTISSEMENT:** Le type de batterie est pré-réglé en usine à la valeur plomb/acide. Si vous utilisez des batteries d'un autre type, sélectionnez gel ou AGM/AGM haute performance. Ne pas le faire pourrait entraîner des dommages à votre batterie et/ou causer des fuites d'acide.

## FONCTIONNEMENT GÉNÉRAL

La DEL de charge 25 % va s'allumer une fois que le cordon d'alimentation du chargeur sera branché et que la batterie sera correctement connectée au câble de sortie. Le chargeur commence à charger la batterie après 4 secondes. Le délai de 4 secondes est ajouté afin de permettre à l'utilisateur d'établir une bonne connexion avant la mise sous tension de la sortie du chargeur. Cela aidera à éviter les étincelles indésirables lors de la connexion de la batterie. Les DEL JAUNES indiqueront l'avancement du chargeur dans le processus de charge. Le chargeur garde la batterie en mode Maintien de la charge une fois que la DEL VERTE 100 % clignote. Le chargeur restera en mode Maintien de la charge pendant 24 heures. La sortie du chargeur s'éteindra et la DEL VERTE 100 % deviendra fixe après 12 heures en mode Maintien de la charge.

**PRÉCAUTION:** Si une  DEL ROUGE clignote, débranchez le cordon d'alimentation CA du chargeur immédiatement. Déterminer la raison d'après les informations ci-dessus et prenez les mesures correctives nécessaires pour remédier à la situation. Si vous ne parvenez pas à remédier à la situation et si vous avez besoin d'aide, appelez le service à la clientèle de Minn Kota au 1.800.227.6433 et un représentant du soutien technique se fera un plaisir de vous aider.

**PRÉCAUTION:** Nous vous recommandons de ne pas recharger votre batterie (ou batteries) alors que l'embarcation ou l'unité inférieure du moteur se trouve dans l'eau pendant un orage électrique. De graves dégâts au moteur ou au système de charge peuvent se produire si un éclair frappait près ou si des conditions de haute tension liées à l'orage existaient.

**PRÉCAUTION:** Les générateurs produisant une sortie d'onde carrée modifiée peuvent endommager ce chargeur MINN KOTA. Les générateurs produisant une sortie d'onde courbe peuvent être utilisés pour alimenter ce chargeur. Voir le tableau 1 pour les exigences de puissance.

**AVERTISSEMENT:** Afin de réduire le risque de chocs électriques, ne réalisez aucun entretien autres que ceux contenus dans les instructions de fonctionnement.

Tableau 1

Model	Input Power (120VAC, 60Hz)
MK106PC	100W
MK110PC	165W
MK212PC	200W
MK220PC	330W
MK318PC	300W
MK330PC	500W
MK440PC	660W
MK230PC	500W
MK345PC	700W
MK460PC	900W

---

## INDICATEURS DEL

Chaque bloc possède les DEL suivantes:

- **!** (ROUGE): Une **!** DEL ROUGE fixe indique qu'il y a un problème avec une connexion.
- Une **!** DEL ROUGE qui clignote indique une erreur. Voir Dépannage à la page 41.
- 25 %, 50 %, 75 % (JAUNE) : Ces DEL indiquent l'état d'avancement de la charge.
- 100% (VERTE): Une DEL VERTE qui clignote indique que la batterie est entièrement chargée en mode Maintien de la charge et est prête à utiliser.
- Une DEL VERTE fixe indique que la batterie est entièrement chargée en mode Maintien de la charge à long terme et est prête à utiliser.
- La DEL VERTE clignotante et les DEL JAUNES 25 % indiquent que la batterie a une tension inférieure à 10,5 volts et que le chargeur est en mode de sécurité faible puissance. La charge complète commencera lorsque la batterie aura atteint une tension de 10,5 volts. Si la tension de la batterie ne dépasse pas 10,5 volts, assurez-vous que toutes les charges sont déconnectées puis essayez à nouveau.

## CHARGE MULTIPHASE

La charge multiphase de Minn Kota fournit un profil de charge rapide et précis en contrôlant automatiquement le courant et la tension pour éviter de surcharger vos batteries.

**Mode Pleine Puissance:** Durant cette phase, le chargeur délivre un courant maximum jusqu'à ce que la batterie atteigne environ 75 % de sa charge.

**Mode Absorption:** Le courant de charge baisse alors que la tension de la batterie est maintenue constante (voir le Tableau 2 pour les tensions)).

**Mode Égalisation Léger (Batterie Plomb/Acide Seulement):** La tension est augmentée automatiquement à chaque cycle de charge pendant un maximum de 1,5 heure afin de désulfater et de mélanger les fluides dans chaque batterie.

**Mode Égalisation (Batterie Plomb/Acide Seulement):** Le mode Égalisation doit être sélectionné manuellement pour chaque groupe de batterie qui est à égaliser. La tension est augmentée pendant un maximum de 4 heures afin de désulfater et de mélanger les fluides dans chaque batterie.

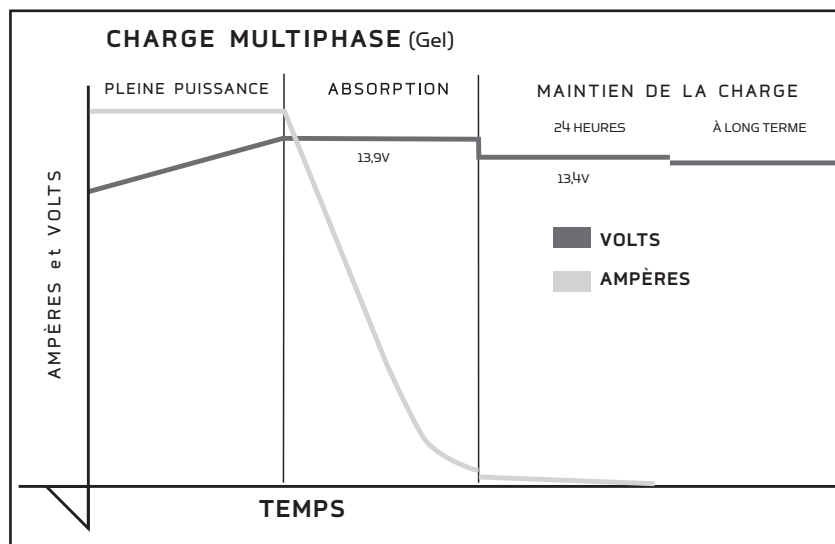
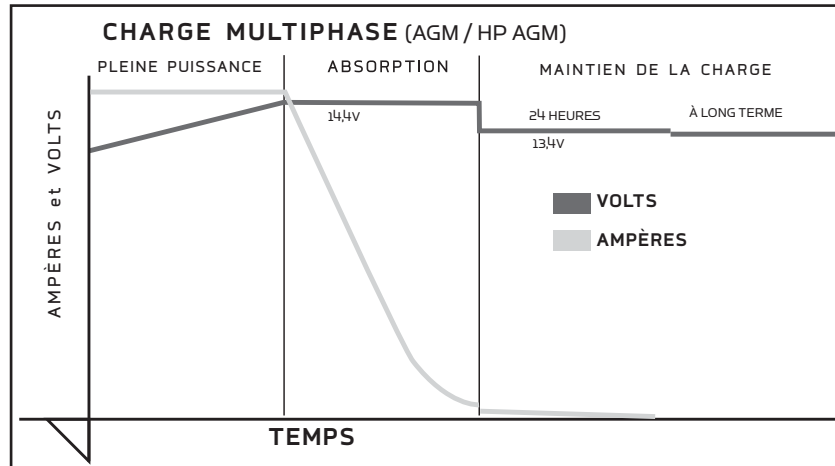
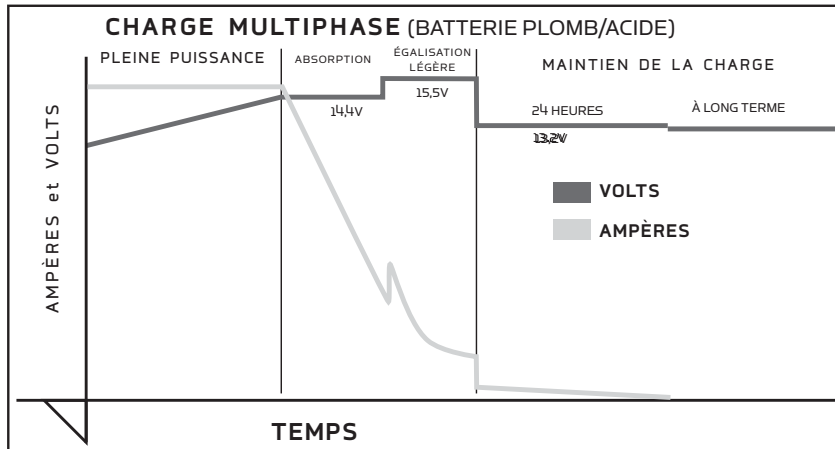
**Mode Maintien de la Charge:** Lorsque la batterie atteint sa pleine charge, la tension du chargeur est réduite (voir le Tableau 1 pour les tensions). Une DEL VERTE 100 % qui clignote est allumée pour chaque bloc afin d'indiquer que la batterie est en mode Maintien de la charge et est prête à utiliser. Le chargeur s'éteint automatiquement après 24 heures et une DEL VERTE 100 % fixe s'allume pour chaque bloc afin d'indiquer que la batterie est en mode Maintien de la charge à long terme et est prête à l'emploi. Le chargeur se remet automatiquement en marche lorsque la tension de la batterie descend en dessous de 12,6 V.

## IFUSIBLES EN LIGNE

Chaque câble de sortie comporte des fusibles en ligne sur les fils ROUGES et NOIRS se trouvant près des cosses. Ces fusibles servent de protection contre les pointes de courant et les courts-circuits causés par un câble de sortie endommagé du chargeur. Si un fusible grille, remplacez-le par un du même type et de la même valeur que celui d'origine. De mauvaises connexions de batterie ne causeront pas normalement à un fusible de griller puisque ceci est résolu par les circuits internes du chargeur.

Tableau 2

PROFILER de CHARGE @ 25° C			
Type de Batterie	Absorption	Égaliser	Maintien
Plomb/acide	14,4V	15,5V	13,2V
AGM/Haute Performance AGM (Absorbed Glass Mat)	14,4V	s/o	13,4V
Gel	13,9V	s/o	13,4V





# DÉPANNAGE

## DÉPANNAGE

ERROR CONDITION	SOLUTION
<p>⚠ La DEL ROUGE est allumée. Vérifier la connexion.</p>	<ul style="list-style-type: none"> <li>Vérifiez la polarité des câbles de batterie.</li> <li>Vérifiez les connexions à la batterie et les fusibles des câbles de sortie.</li> <li>Vérifiez la tension à la batterie. La rangée ne chargera pas une batterie présentant une tension inférieure à 0,5 V ou supérieure à 16 V.</li> <li>S'il ne fonctionne toujours pas, appelez le département d'entretien de Minn Kota au -800-227-6433.</li> </ul>
<p>⚠ La DEL ROUGE clignote et la DEL JAUNE 25 % est fixe Le temps à basse tension s'est écoulé.</p>	<ul style="list-style-type: none"> <li>Assurez-vous qu'il n'y a pas de charges lourdes ou grandes sur la batterie.</li> <li>Vérifiez le liquide dans la batterie et ajoutez-en selon les spécifications du fabricant de la batterie.</li> <li>Si la tension de la batterie n'augmente pas au-dessus de 10,5 volts, le bloc de charge va s'éteindre et ne chargera pas la batterie. La batterie doit être testée.</li> <li>S'il ne fonctionne toujours pas, appelez le département d'entretien de Minn Kota au 1-800-227-6433.</li> </ul>
<p>⚠ La DEL ROUGE clignote et la DEL JAUNE 50 % est fixe. Le temps global s'est écoulé.</p>	<ul style="list-style-type: none"> <li>Assurez-vous qu'il n'y a pas de charges lourdes ou grandes sur la batterie.</li> <li>Vérifiez le liquide dans la batterie et ajoutez-en selon les spécifications du fabricant de la batterie.</li> <li>Si la tension de la batterie n'augmente pas jusqu'à la tension d'absorption dans les 30 heures, le bloc de charge va s'éteindre et ne chargera pas la batterie. La batterie doit être testée.</li> <li>S'il ne fonctionne toujours pas, appelez le département d'entretien de Minn Kota au -800-227-6433.</li> </ul>
<p>⚠ La DEL ROUGE clignote et la DEL JAUNE 75 % est fixe. Erreur du capteur de température.</p>	<ul style="list-style-type: none"> <li>Le capteur thermique du chargeur est peut-être endommagé.</li> <li>Réinitialisez le chargeur en débranchant le cordon d'alimentation CA. Attendez que toutes les DEL s'éteignent.</li> <li>Branchez le cordon d'alimentation.</li> <li>S'il ne fonctionne toujours pas, appelez le département d'entretien de Minn Kota au 1-800-227-6433.</li> </ul>
<p>⚠ La DEL ROUGE clignote et les DEL JAUNES 25% et 75 % sont fixes. Le chargeur surchauffe.</p>	<ul style="list-style-type: none"> <li>Le chargeur a surchauffé et s'est arrêté.</li> <li>Réinitialisez le chargeur en débranchant le cordon d'alimentation CA. Attendez que toutes les DEL s'éteignent et laissez le chargeur refroidir.</li> <li>Branchez le cordon d'alimentation.</li> <li>S'il ne fonctionne toujours pas, appelez le département d'entretien de Minn Kota au 1-800-227-6433.</li> </ul>
<p>Les voyants indicateurs ne s'allument pas.</p>	<ul style="list-style-type: none"> <li>Vérifiez l'alimentation CA à la prise.</li> <li>Assurez-vous que le GFCI (le disjoncteur de fuite de terre) pour la sortie ne s'est pas déclenché.</li> <li>Si une rallonge est utilisée, vérifiez l'alimentation en CA à la fin de la rallonge.</li> <li>S'il ne fonctionne toujours pas, appelez le département d'entretien de Minn Kota au -800-227-6433.</li> </ul>
<p>Les pouvoirs du chargeur vers le haut et puis s'éteint.</p>	<ul style="list-style-type: none"> <li>CA à la prise peut-être trop faible.</li> <li>Extension cord AWG is too small - refer to the chart on pg. 6 of the Safety Precautions.</li> <li>CA à la prise peut-être trop faible. S'il ne fonctionne toujours pas, appelez le département d'entretien de Minn Kota au 1-800-227-6433.</li> </ul>

FICHE TECHNIQUE							TENSION D'ENTRÉE: 95-135VCC, 60Hz			
Modèle	N° de Pièce	Tension du Système	Rangées	Rendement par rangée (ampères)	Rendement total (ampères)	Câble d'entrée	Câble de sortie	Taille : Longueur x largeur x hauteur	Poids (lb)	Courant d'entrée (120 VCC, 60 Hz)
MK106PC	1831060	12	1	6	6	18AWG - 6'	16AWG - 6'	9-1/4" x 4" x 3-1/4"	4.5	1,5A
MK110PC	1831100	12	1	10	10	18AWG - 6'	16AWG - 6'	9-1/4" x 4" x 3-1/4"	4.5	2,4A
MK212PC	1832120	12 / 24	2	6	12	18AWG - 6'	16AWG - 6'	9-1/4" x 8-1/4" x 3-1/4"	8	3A
MK220PC	1832200	12 / 24	2	10	20	18AWG - 6'	16AWG - 6'	9-1/4" x 8-1/4" x 3-1/4"	8	4,8A
MK318PC	1833180	12 / 24 / 36	3	6	18	18AWG - 6'	16AWG - 6'	9-1/4" x 8-1/4" x 3-1/4"	11	4,5A
MK330PC	1833300	12 / 24 / 36	3	10	30	18AWG - 6'	16AWG - 6'	9-1/4" x 8-1/4" x 3-1/4"	11	7,2A
MK440PC	1834400	12 / 24 / 36 / 48	4	10	40	16AWG - 6'	16AWG - 6'	9-1/4" x 10-1/2" x 3-1/4"	14	9,6A
MK230PC	1832300	12 / 24	2	15	30	14AWG - 6'	12AWG - 6'	7-5/8 x 9-1/4 x 3	9.6	7A
MK345PC	1833450	12 / 24 / 36	3	15	45	14AWG - 6'	12AWG - 6'	11 x 9-1/4 x 3	13.7	10,5A
MK460PC	1834600	12 / 24 / 36 / 48	4	15	60	14AWG - 6'	12AWG - 6'	14-3/8 x 9-1/4 x 3	18	14A

# FOIRE AUX QUESTIONS

**Q Les chargeurs de bord Precision de Minn Kota sont-ils testés et approuvés pour être utilisés avec les batteries Odyssey?**

A Tous les chargeurs de bord Precision de Minn Kota ont été testés par Odyssey et ont fait la preuve qu'ils chargent correctement toutes les batteries comprises entre 7 et 114 Ah.

**Q Les chargeurs de Minn Kota sont-ils imperméables??**

A Oui, les chargeurs sont imperméables. Cependant, ils ne devraient pas être utilisés lorsqu'ils sont immergés.

**Q Puis-je charger deux batteries dans un banc du chargeur?**

A Oui, mais cela est déconseillé. Charger deux batteries nécessite deux fois plus de temps et une erreur peut s'afficher si les batteries prennent trop de temps à charger.

**Q Puis-je connecter deux bancs du chargeur à une batterie?**

A Oui, la batterie se chargera presque deux fois plus vite. Cependant, l'eau contenue dans la batterie risque de s'évaporer davantage en présence de courants de charge plus élevés. De ce fait, il faudra vérifier le niveau d'électrolytes plus souvent. Le courant de charge maximal sécuritaire pour la plupart des batteries à cycle profond est de 20 ampères. Consultez votre fabricant de batteries pour obtenir ses recommandations.

**Q Puis-je rallonger les cordons de sortie du chargeur de Minn Kota?**

A Oui, veuillez vous référer à la trousse d'accessoire 1820089 - trousse de rallonge MK-EC-15 (voir p. 36).

**Q Le chargeur de Minn Kota peut-il être assemblé dans n'importe quelle position?**

A Oui, mais il est fortement recommandé que le chargeur ne soit pas assemblé sous la ligne de flottaison.

**Q Dois-je débrancher la série ou la (les) connexion(s) en parallèle de la batterie lorsque j'utilise les chargeurs de Minn Kota?**

A Non, le ou les fils de connexion de la batterie peuvent rester en place avec les deux types de câblage.

**Q Une panne d'alimentation en courant alternatif ou le fait de déconnecter le chargeur Precision d'une sortie c.a. affecte-t-il le type de batterie sélectionné?**

A Non, une fois qu'un type de batterie est sélectionné, il est gardé en mémoire jusqu'à ce qu'un nouveau type de batterie soit sélectionné par l'utilisateur.

**Q Une panne d'alimentation en courant alternatif ou le fait de déconnecter le chargeur Precision d'une sortie c.a. affecte-t-il le mode d'égalisation en profondeur?**

A Oui, le mode d'égalisation en profondeur est annulé et le chargeur remet en marche le cycle de charge en mode normal d'égalisation de la batterie plomb/acide.

**Q Comment puis-je activer le mode d'égalisation de mon chargeur Precision de Minn Kota?**

A Les chargeurs Precision de Minn Kota sont dotés de la technologie d'égalisation automatique qui nettoie et entretient les batteries à chaque cycle de charge (batteries plomb/acide seulement). Les chargeurs Precision disposent aussi d'un mode d'égalisation en profondeur par banc sélectionnable par l'utilisateur. Sélectionnez le mode d'égalisation en profondeur (recommandé chaque 30<sup>e</sup> cycle de charge). L'égalisation en profondeur doit être effectuée seulement avec les batteries plomb/acide. Avant de sélectionner le mode d'égalisation en profondeur, vous devez d'abord vous assurer que le type de batterie actuellement sélectionné soit «Flooded Lead Acid» (plomb/acide). Maintenez le bouton «BATTERY SELECTION» (sélection de la batterie) enfoncé jusqu'à ce que les trois voyants DEL jaunes s'allument, puis relâchez le bouton «BATTERY SELECTION» (sélection de la batterie). Si l'un des voyants DEL se met à clignoter, vous êtes en mode d'égalisation en profondeur.

**REMARQUE:** Les voyants DEL affichant l'état de la charge continueront à clignoter tout au long du cycle de charge, y compris en mode maintenance de 12 heures.

**Q Combien de fois dois-je effectuer l'égalisation en profondeur?**

A Il est recommandé d'effectuer l'égalisation en profondeur à chaque 30 cycle de charge ou une fois par an.

**Q Comment puis-je déterminer le type de batterie sélectionné sur mon chargeur Precision de Minn Kota?**

A Appuyez sur le bouton «BATTERY SELECTION» (sélection de la batterie) et relâchez-le. Le voyant DEL situé à côté du type de batterie correspondant sélectionné s'allumera pendant 2 à 5 secondes.

**Q Quel niveau de chaleur les chargeurs de Minn Kota atteignent-ils?**

A Les chargeurs de Minn Kota peuvent atteindre 150 °F (66 °C). Ils peuvent devenir chauds dans un endroit clos. La température ambiante maximale recommandée pour charger les batteries est de 122 °F (50 °C). Si le chargeur semble devenir «chaud», ouvrez une écrouille pour aider le chargeur à refroidir. Lorsque le chargeur est chaud, le courant de sortie diminue pour protéger le chargeur et la batterie.

**Q Qu'arrive-t-il en cas de panne d'alimentation en courant alternatif pendant un cycle de charge du chargeur Precision de Minn Kota?**

A Le chargeur Precision remet simplement le cycle de charge en marche selon le type de batterie sélectionné au départ. Une panne d'alimentation ou le fait de déconnecter le chargeur Precision n'efface pas le type de batterie sélectionné.

**Q Quelle est la taille des fusibles utilisés dans les chargeurs de Minn Kota?**

A Les chargeurs dotés d'un porte-fusible jaune comportent un fusible automobile de type AGX 32 V de 30 ampères. Un fusible de type CAG peut être utilisé, mais il pourrait ne pas convenir aussi bien qu'un fusible de type AGX. Les chargeurs dotés d'un porte-fusible rouge comportent un fusible automobile de type ATC 32 V de 30 ampères.

**Q Quelles batteries le chargeur de Minn Kota peut-il charger?**

A Les chargeurs de Minn Kota ne chargent que les batteries plomb/acide de 12 volts et 6 cellules. Les chargeurs de Minn Kota de série D et les chargeurs portatifs de Minn Kota fonctionnent avec des batteries plomb/acide ainsi qu'avec des batteries de type AGM. Les chargeurs de Minn Kota de série PC ont une charge optimisée pour les batteries de type plomb/acide, AGM et à électrolyte gélifié. Il est conseillé de consulter le fabricant de votre batterie pour connaître la sortie maximale en ampères recommandée pour votre batterie. Les ampères-heures ou le classement AH de votre batterie doivent être compris dans la gamme présentée ci-dessous pour la sortie en ampères par banc du chargeur sélectionné.

SORTIE DU CHARGEUR PAR BANC	CLASSEMENT AMPÈRES HEURES DE LA BATTERIE
5 AMPÈRES	20 à 125 AH
6 AMPÈRES	24 à 125 AH
10 AMPÈRES	40 à 125 AH
15 AMPÈRES	60 à 180 AH

**Q Pourquoi les voyants DEL de mon chargeur Precision restent-ils allumés pendant un certain temps une fois le chargeur débranché du courant alternatif?**

A Cela est normal et n'affecte pas vos batteries. Il s'agit simplement d'une fonction de la charge Precision qui s'assure que le chargeur est débranché avant de terminer le cycle de charge. Le chargeur PC prend beaucoup de mesures complexes et détaillées de la batterie pendant un cycle de charge. Le logiciel dans le chargeur traite ces renseignements pour prendre les meilleures décisions possibles afin d'offrir la meilleure charge à votre batterie sur le marché. Dans certains cas, les mesures et les algorithmes logiciels sont difficiles à détecter lorsque le c.a. a été débranché, ce qui fait que le chargeur peut prendre un certain temps à se mettre hors circuit et s'éteindre.

**Q Vais-je endommager mes batteries si je laisse le chargeur branché pendant de longues périodes de temps sans l'utiliser (comme lorsqu'il est rangé)?**

A Non. Les chargeurs de bord de Minn Kota maintiennent la tension de la batterie entre 13,2 V et 13,5 V pendant l'étape de la «maintenance» (3e étape). Cela vous permet de laisser votre chargeur branché pendant de longues périodes de temps sans «chauffer la batterie à sec»  
**REMARQUE:** il est important de vérifier le niveau d'électrolytes environ tous les 30 jours. Les batteries doivent être remplies après avoir été chargées, et le niveau d'électrolytes doit être égal dans toutes les cellules et se trouver sous le niveau de remplissage dans chaque cellule. Si les plaques de batterie sont exposées avant la charge, ajoutez suffisamment d'eau pour les couvrir. Si la batterie est trop remplie avant d'être chargée, il se peut qu'elle déborde pendant la charge.

**Q Puis-je charger des batteries au lithium?**

A Minn Kota n'a collaboré directement avec aucun fournisseur de batteries au lithium lui permettant de déterminer si son chargeur est compatible avec leurs batteries. La plupart des fournisseurs de batteries au lithium affiche les renseignements relatives à l'étape de la charge sur leur site Web.

**Q Y a-t-il des empreintes de chargeur compatibles avec d'autres chargeurs?**

A Les empreintes ne sont pas compatibles avec les chargeurs de modèle et de taille différents. Les seules exceptions sont le MK212PC, le MK318PC, le MK220PC et le MK330PC qui ont des empreintes compatibles.

**Q Les chargeurs sont-ils remplaçables?**

A Il n'y a aucune pièce remplaçable à l'intérieur du chargeur.

**Q Un banc peut-il être débranché lorsque des batteries se chargent sur d'autres bancs?**

A Oui, les bancs du chargeur sont entièrement indépendants. Les bancs inutilisés peuvent rester débranchés des batteries. La sortie des bancs inutilisés n'est pas sous tension. Il est conseillé de couvrir ou de fixer au moyen de ruban adhésif l'extrémité libre afin d'empêcher le court-circuitage d'autres systèmes électriques dans le bateau.

**Q Puis-je utiliser une génératrice portable pour faire fonctionner mon chargeur?**

A Il est recommandé d'user de prudence au moment de choisir une génératrice portable à utiliser avec un appareil électronique. Deux facteurs importants sont à considérer:

- La puissance de sortie : Les génératrices ont une puissance en watts. Cette puissance en watts doit être plus élevée que la puissance requise par le chargeur. Veuillez revoir les exigences relatives à la puissance présentées dans le guide de l'utilisateur pour votre chargeur déterminé.
- Type de sortie : Les chargeurs de Minn Kota nécessitent une puissance de sortie propre de la génératrice pour empêcher des dommages permanents. La génératrice doit reproduire la puissance d'une sortie c.a. normale dans votre maison (sortie sinusoïdale).

# SERVICE ET ENTRETIEN

---

## D'ENTRETIEN GÉNÉRAL

- Voyez si le chargeur de batterie est sale, comporte de l'huile, s'il y a de la corrosion de batterie, etc. Utilisez une solution à base de bicarbonate de soude et d'eau pour éliminer la corrosion. Essuyez-le avec un chiffon sec.
- Voyez si les cosses à anneau sont sales, si elles comportent de l'huile ou de la corrosion de batterie ; puis débranchez-les des bornes de la batterie, nettoyez-les au besoin avec une solution de bicarbonate de soude et d'eau et séchez-les avec un chiffon propre.
- Quand le chargeur n'est pas utilisé, enrroulez le câble de courant pour éviter de l'endommager.
- Quand vous rangez le chargeur de batterie, entreposez-le dans un endroit propre et sec.
- Si le câble de courant ou sa fiche sont endommagés, vous pouvez entrer en contact avec le Service de réparation d'entretien de Minn Kota pour obtenir des renseignements sur les réparations. Autrement, débarrassez-vous du chargeur de batterie en conformité avec les lois locales. Des câbles ou des fiches endommagés peuvent causer des chocs électriques ou l'électrocution.

## POUR D'AUTRES SERVICES DE DÉPANNAGE ET DE RÉPARATION

Nous offrons plusieurs options de dépannage et/ou de réparation pour le produit. Veuillez parcourir les options énumérées ci-dessous.



### FOIRE AUX QUESTIONS

Notre site Web présente FAQ visant à répondre à toutes vos questions au sujet des produits Minn Kota. Veuillez visiter le site Web [minnkotamotors.com](http://minnkotamotors.com), puis cliquer sur « Foire aux questions » pour trouver réponse à vos questions.



### COMMUNIQUEZ AVEC NOUS (POUR LES ÉTATS-UNIS ET LE CANADA)

Nos représentants du service à la clientèle sont disponibles du lundi au vendredi, de 7 h 00 à 16 h 30 (HNC), au +1 (800) 227-6433. Pour commander des pièces, veuillez avoir sous la main le numéro de série à 11 chiffres du produit, les numéros des pièces nécessaires et les renseignements relatifs à la carte de crédit. Vous économiserez ainsi du temps pour un service à la clientèle de qualité supérieure. Vous pouvez consulter la liste de votre manuel pour obtenir les numéros exacts de pièce.



### ENVOYEZ-NOUS UN COURRIEL

Envoyez-nous un courriel pour transmettre à notre service à la clientèle vos questions au sujet des produits Minn Kota. Pour transmettre votre question par courriel, visitez le site Web [minnkotamotors.com](http://minnkotamotors.com), puis cliquer sur « Nous contacter ».



### CENTRES DE SERVICE AGRÉÉS

On compte plus de 300 centres de service agréés Minn Kota aux États-Unis et au Canada pour acheter des pièces et faire réparer vos produits. Veuillez consulter la page Web pour la liste des centres de service agréés et trouver un centre de service dans votre région.

# DÉCLARATION DE CONFORMITÉ

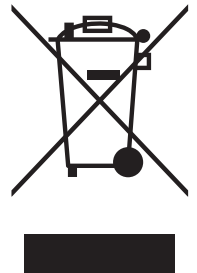
## DÉCLARATION DE CONFORMITÉ ENVIRONNEMENTALE

Il est dans l'intention de JOME d'être une entreprise citoyenne responsable, dont l'exploitation est conforme à la réglementation environnementale en vigueur et qui est connue pour être un bon voisin dans les collectivités où nous fabriquons ou vendons nos produits.

### DIRECTIVE DEEE:

La directive européenne 2002/96/CE « Directive concernant les déchets d'équipements électriques et électroniques (DEEE) » a un impact sur la plupart des distributeurs, vendeurs et fabricants d'électronique pour le grand public au sein de l'Union européenne. La directive DEEE exige que le producteur d'électronique pour le grand public prenne une part de responsabilité, en ce qui concerne la gestion des déchets de leurs produits, afin d'atteindre une élimination écologique, et ce, tout au long du cycle de vie du produit.

Il se peut que, selon votre emplacement, vous ne soyez pas tenu (e) de vous conformer à la directive DEEE pour ce qui est des équipements électriques et électroniques (EEE), et il se peut qu'il en soit de même pour les EEE conçus et destinés à être utilisés comme installations fixes ou temporaires dans les véhicules de transport tels que les voitures, les avions et les bateaux. Dans certains États de l'Union européenne, ces véhicules sont réputés ne pas relever de la directive, et les EEE, pour ces applications peuvent être considérés comme exclus de l'exigence de la directive DEEE.



Ce symbole (DEEE poubelle sur roues) sur le produit indique que ce dernier ne doit pas être jeté avec les déchets domestiques. Il doit être éliminé et collecté pour le recyclage et la récupération des DEEE. Johnson Outdoors Inc. marquera tous les produits EEE en conformité avec la directive DEEE. C'est notre but de nous conformer à la collecte, au traitement, à la récupération et à l'élimination écologique judicieuse de ces produits, mais ces exigences varient au sein des différents États membres de l'Union européenne. Pour de l'information supplémentaire sur l'endroit où vous pouvez éliminer les équipements usagés pour leur recyclage et leur récupération et/ou selon les exigences particulières de l'État membre de l'Union européenne, veuillez communiquer avec le détaillant ou le distributeur duquel vous avez acheté le produit.

### ÉLIMINATION:

Les chargeurs Minn Kota ne sont pas soumis à la réglementation concernant l'élimination VGE-VO (directive pour les dispositifs électriques), qui transpose la directive DEEE. Néanmoins, ne jamais jeter le chargeur Minn Kota dans une poubelle, mais plutôt à l'endroit approprié où s'effectue la collecte, recommandé par le conseil municipal local.

Ne jamais jeter aucune batterie à la poubelle. Se conformer aux directives d'élimination du fabricant ou de son représentant et la jeter à l'endroit approprié où s'effectue la collecte, recommandé par le conseil municipal local.

**AVERTISSEMENT: Ce produit contient des produits chimiques reconnus par l'État de la Californie comme causant le cancer, des anomalies congénitales ou d'autres effets nocifs sur la reproduction.**

# DÉCLARATION DE CONFORMITÉ

---

## CONFORMITÉ FCC

Cet appareil est conforme à la section 15 des règles de la FCC.

### Son fonctionnement est soumis aux deux conditions suivantes :

1. Ce dispositif ne doit pas causer d'interférences nuisibles.
2. Cet appareil doit accepter toute interférence qui peut être reçue, y compris les interférences susceptibles de perturber son fonctionnement.

Les changements ou modifications non expressément approuvés par Johnson Outdoors Marine Electronics, Inc. peuvent annuler le droit d'utilisation de cet équipement accordé à l'utilisateur.

**Remarque:** Cet équipement a été testé et s'est avéré conforme aux limites pour un appareil numérique de classe A, conformément à la section 15 des règles de la FCC. Ces limites sont conçues pour fournir une protection raisonnable contre les interférences nuisibles dans une installation commerciale. Cet équipement génère, utilise et peut émettre des fréquences radio et, s'il n'est pas installé et utilisé conformément aux instructions, peut causer des interférences nuisibles pour les communications radio. Il n'existe cependant aucune garantie que des interférences ne se produiront pas dans une installation donnée. Si cet équipement provoque des interférences nuisibles à la réception radio ou télévision, ce qui peut être déterminé en l'éteignant et en le rallumant, l'utilisateur est encouragé à essayer de corriger l'interférence par une ou plusieurs des mesures suivantes :

- Réorienter ou déplacer l'antenne de réception.
- Augmenter la distance entre l'équipement et le récepteur.
- Connecter l'équipement à une sortie sur un circuit différent de celui sur lequel est branché le récepteur.
- Consulter le revendeur ou un technicien radio/TV expérimenté.

## CONFORMITÉ AUX NORMES D'INDUSTRIE CANADA

Ce produit est conforme aux spécifications techniques applicables d'Industrie Canada. Son fonctionnement est soumis aux deux conditions suivantes: (1) cet appareil ne peut causer d'interférences et (2) il doit tolérer toute interférence, même celle pouvant causer un fonctionnement indésirable de l'appareil.

Les changements ou les modifications non expressément approuvés par Johnson Outdoors Marine Electronics, Inc. Peuvent annuler l'autorisation de l'utilisateur de faire fonctionner cet équipement.

## COTES ENVIRONNEMENTALES

Température ambiante de fonctionnement : -10 à 50 °C

Humidité ambiante de fonctionnement : 5 à 95 %

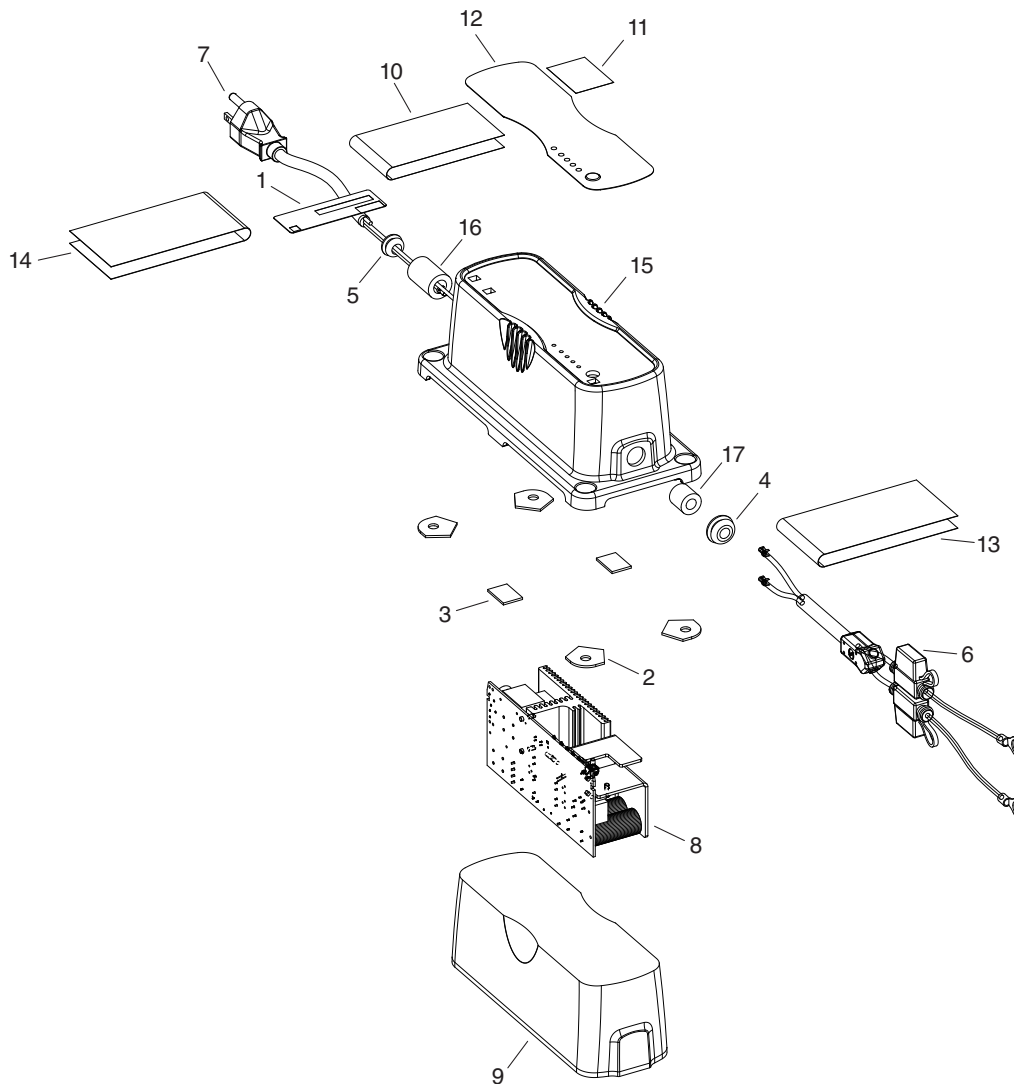
Altitude maximale de fonctionnement : 10 000 pieds (3 048 mètres)

# SCHÉMA ET LISTES DES PIÈCES

## MK106PC / MK110PC

Cette page fournit les instructions de Minn Kota en conformité avec la directive DEEE. Le chargeur ne doit pas être démonté, mais les cordons peuvent être coupés et retirés. Pour plus d'informations sur l'endroit où vous devez disposer de vos déchets d'équipements pour le recyclage et la récupération et/ou selon les exigences de votre État membre de l'Union européenne, veuillez contacter votre détaillant ou le distributeur duquel vous avez acheté votre produit.

Liste non exhaustive des outils requis : Coupe-fils.



ITEM	QTY	DESCRIPTION
1	1	AUTOCOLLANT DU NUMÉRO DE SÉRIE - CORDON
2	4	PAD DE MONTAGE ROND EN CAOUTCHOUC
3	2	PAD DE MONTAGE EN CAOUTCHOUC CARRÉ
4	1	ANNEAU
5	1	ANNEAU
6	1	CORDON DE SORTIE
7	1	CORDON D'ENTRÉE, 18 AWG
8	1	PLAQUETTE D'ASSEMBLAGE
9	1	PLAQUETTE D'ENROBAGE

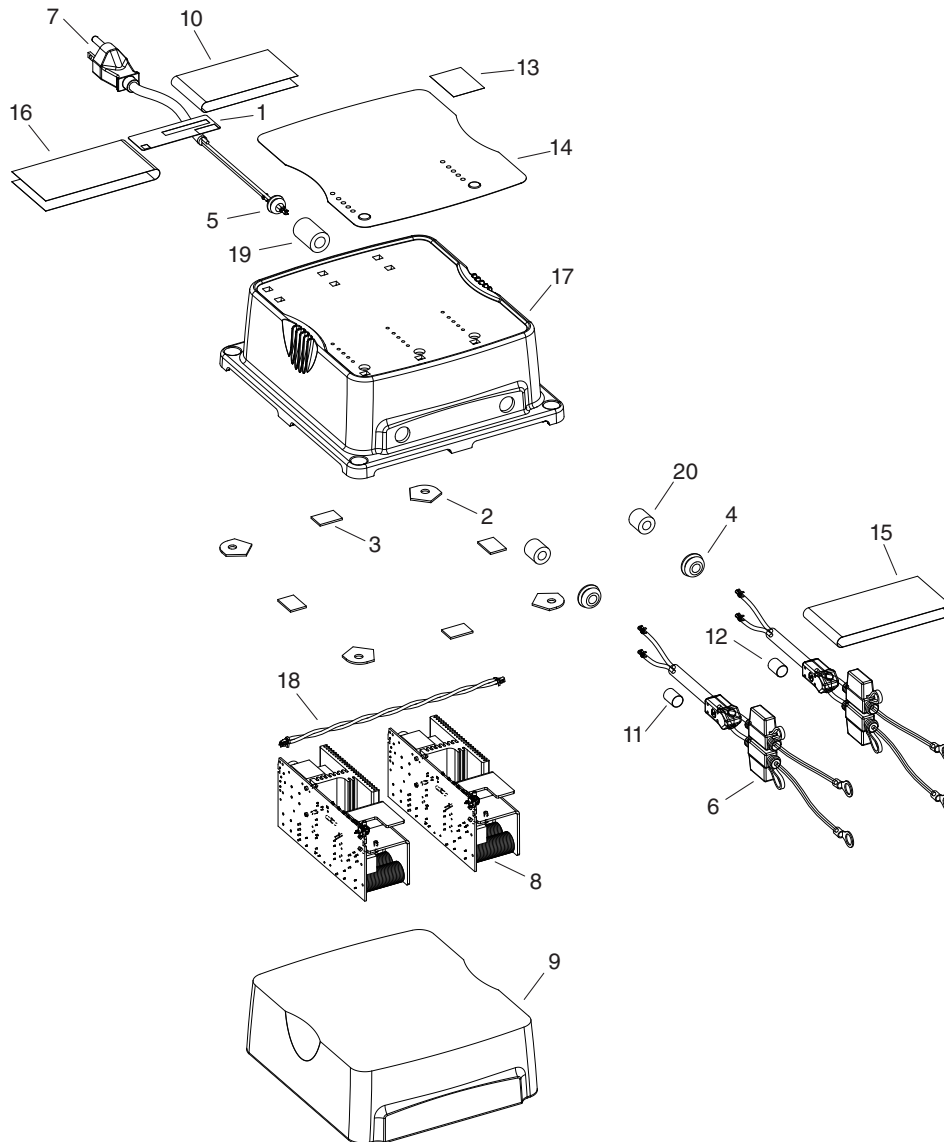
ITEM	QTY	DESCRIPTION
10	1	AUTOCOLLANT DE MISE EN GARDE RELATIVE À L'ENTRÉE
11	1	AUTOCOLLANT RECOUVRANT RELATIF AU TYPE DE BATTERIE
12	1	AUTOCOLLANT
13	1	AUTOCOLLANT DE CODE D'ERREUR
14	1	AUTOCOLLANT DE MISE EN GARDE
15	1	COUVERCLE CHARGEURS
16	1	PERLE EN FERRITE
17	1	PERLE EN FERRITE

# SCHÉMA ET LISTES DES PIÈCES

## MK212PC / MK220PC

Cette page fournit les instructions de Minn Kota en conformité avec la directive DEEE. Le chargeur ne doit pas être démonté, mais les cordons peuvent être coupés et retirés. Pour plus d'informations sur l'endroit où vous devez disposer de vos déchets d'équipements pour le recyclage et la récupération et/ou selon les exigences de votre État membre de l'Union européenne, veuillez contacter votre détaillant ou le distributeur duquel vous avez acheté votre produit.

Liste non exhaustive des outils requis : Coupe-fils.



ITEM	QTY	DESCRIPTION
1	1	AUTOCOLLANT DU NUMÉRO DE SÉRIE - CORDON
2	4	ANNEAU
3	4	PAD DE MONTAGE ROND EN CAOUTCHOUC
4	2	PAD DE MONTAGE EN CAOUTCHOUC CARRÉ
5	1	ANNEAU
6	2	CORDON DE SORTIE
7	1	CORDON D'ENTRÉE, 18 AWG
8	2	PLAQUETTE D'ASSEMBLAGE
9	1	PLAQUETTE D'ENROBAGE
10	1	AUTOCOLLANT DE MISE EN GARDE RELATIVE À L'ENTRÉE

ITEM	QTY	DESCRIPTION
11	1	AUTOCOLLANT BANC 1
12	1	AUTOCOLLANT BANC 2
13	1	AUTOCOLLANT RECOUVRANT RELATIF AU TYPE DE BATTERIE
14	1	AUTOCOLLANT
15	1	AUTOCOLLANT DE CODE D'ERREUR
16	1	AUTOCOLLANT DE MISE EN GARDE
17	1	COUVERCLE CHARGEURS
18	1	PLAQUETTE DE RACCORDEMENT C.A.
19	1	PERLE EN FERRITE
20	2	PERLE EN FERRITE

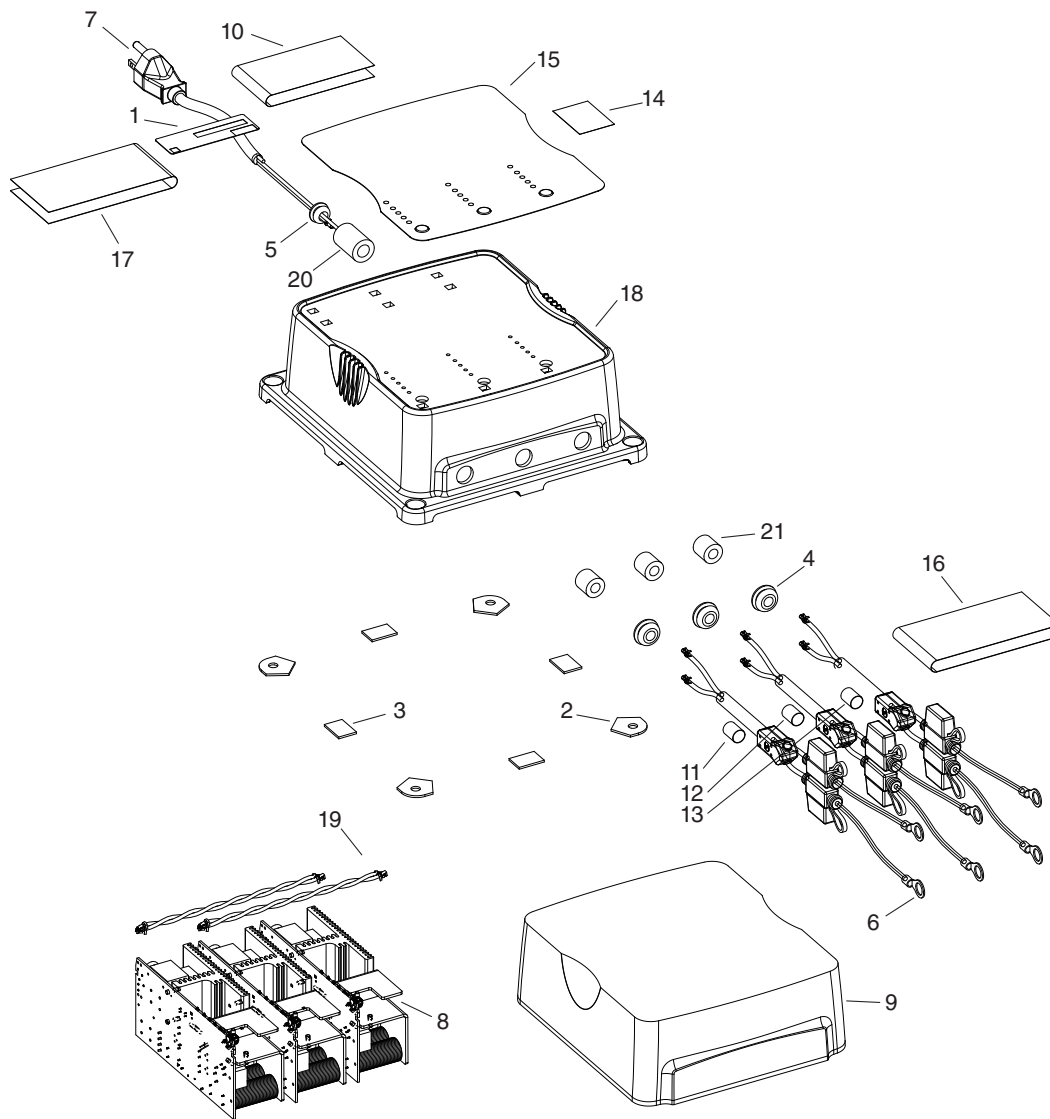


# SCHÉMA ET LISTES DES PIÈCES

## MK318PC / MK330PC

Cette page fournit les instructions de Minn Kota en conformité avec la directive DEEE. Le chargeur ne doit pas être démonté, mais les cordons peuvent être coupés et retirés. Pour plus d'informations sur l'endroit où vous devez disposer de vos déchets d'équipements pour le recyclage et la récupération et/ou selon les exigences de votre État membre de l'Union européenne, veuillez contacter votre détaillant ou le distributeur duquel vous avez acheté votre produit.

Liste non exhaustive des outils requis : Coupe-fils.



ITEM	QTY	DESCRIPTION
1	1	AUTOCOLLANT DU NUMÉRO DE SÉRIE - CORDON
2	4	ANNEAU
3	2	PAD DE MONTAGE ROND EN CAOUTCHOUC
4	1	PAD DE MONTAGE EN CAOUTCHOUC CARRÉ
5	1	ANNEAU
6	3	CORDON DE SORTIE
7	1	CORDON D'ENTRÉE, 14 AWG
8	1	PLAQUETTE D'ASSEMBLAGE
9	1	PLAQUETTE D'ENROBAGE
10	1	AUTOCOLLANT DE MISE EN GARDE RELATIVE À L'ENTRÉE
11	1	AUTOCOLLANT BANC 1

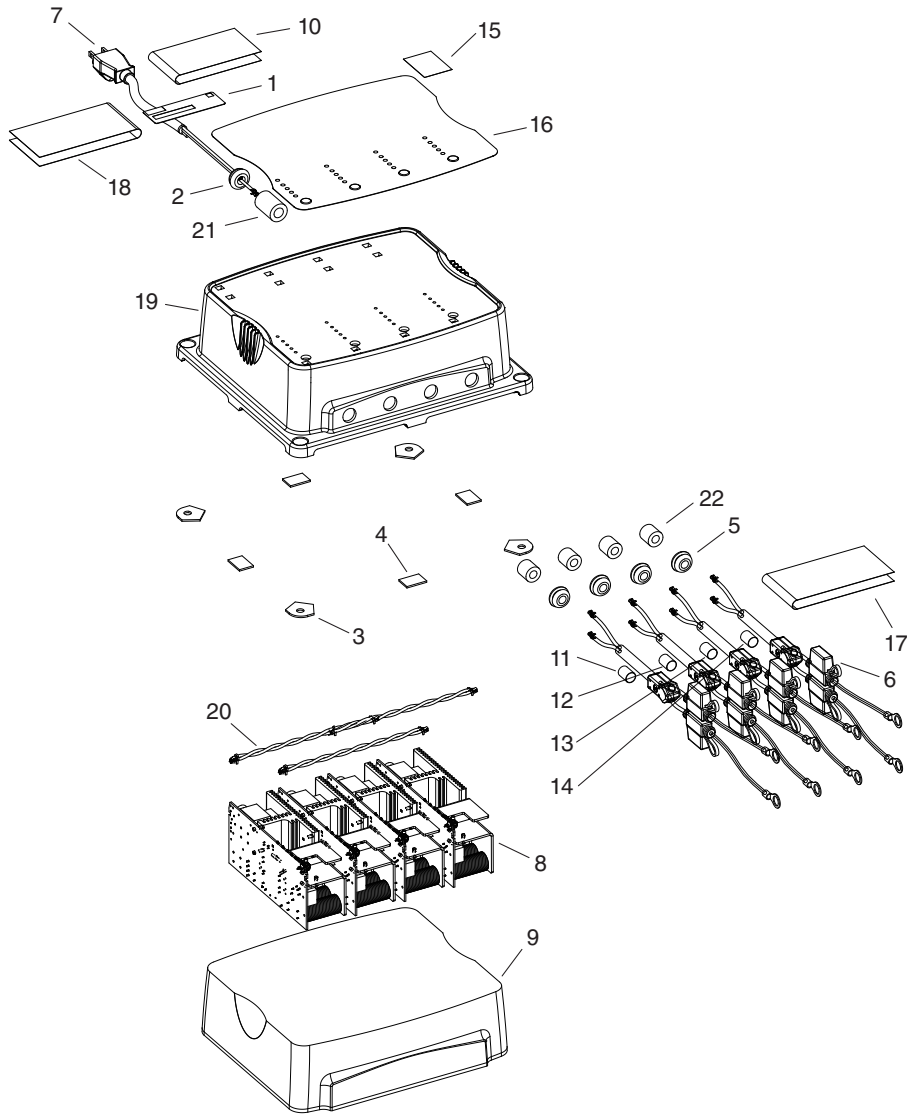
ITEM	QTY	DESCRIPTION
12	1	AUTOCOLLANT BANC 2
13	1	AUTOCOLLANT BANC 3
14	1	AUTOCOLLANT RECOUVRANT RELATIF AU TYPE DE BATTERIE
15	1	AUTOCOLLANT
16	1	AUTOCOLLANT DE CODE D'ERREUR
17	1	AUTOCOLLANT DE MISE EN GARDE
18	1	COUVERCLE CHARGEURS
19	2	PLAQUETTE DE RACCORDEMENT C.A.
20	1	PERLE EN FERRITE
21	3	PERLE EN FERRITE

# SCHÉMA ET LISTES DES PIÈCES

## MK440PC

Cette page fournit les instructions de Minn Kota en conformité avec la directive DEEE. Le chargeur ne doit pas être démonté, mais les cordons peuvent être coupés et retirés. Pour plus d'informations sur l'endroit où vous devez disposer de vos déchets d'équipements pour le recyclage et la récupération et/ou selon les exigences de votre État membre de l'Union européenne, veuillez contacter votre détaillant ou le distributeur duquel vous avez acheté votre produit.

Liste non exhaustive des outils requis : Coupe-fils.



ITEM	QTY	DESCRIPTION
1	1	AUTOCOLLANT DU NUMÉRO DE SÉRIE - CORDON
2	1	ANNEAU
3	4	PAD DE MONTAGE ROND EN CAOUTCHOUC
4	4	PAD DE MONTAGE EN CAOUTCHOUC CARRÉ
5	4	ANNEAU
6	4	CORDON DE SORTIE
7	1	CORDON D'ENTRÉE, 14 AWG
8	1	PLAQUETTE D'ASSEMBLAGE
9	1	PLAQUETTE D'ENROBAGE
10	1	AUTOCOLLANT DE MISE EN GARDE RELATIVE À L'ENTRÉE
11	1	AUTOCOLLANT BANC 1

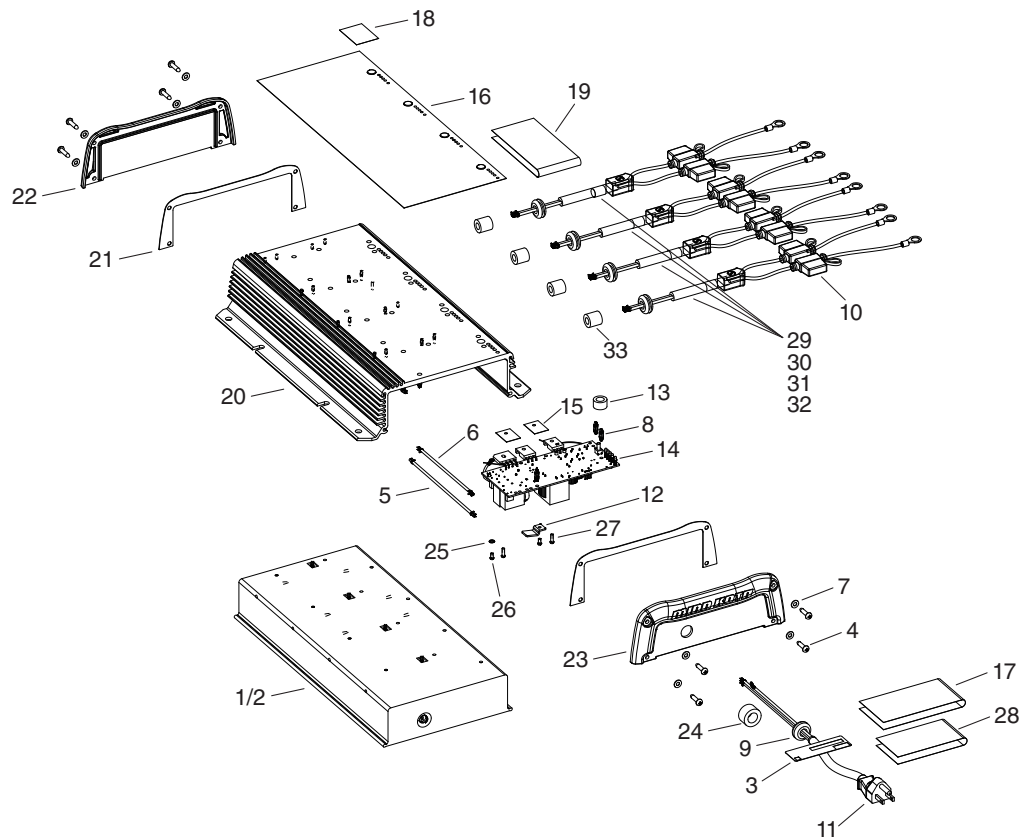
ITEM	QTY	DESCRIPTION
12	1	AUTOCOLLANT BANC 2
13	1	AUTOCOLLANT BANC 3
14	1	AUTOCOLLANT BANC 4
15	1	AUTOCOLLANT RECOUVRANT RELATIF AU TYPE DE BATTERIE
16	1	AUTOCOLLANT
17	1	AUTOCOLLANT DE CODE D'ERREUR
18	1	AUTOCOLLANT DE MISE EN GARDE
19	1	COUVERCLE CHARGEURS
20	3	PLAQUETTE DE RACCORDEMENT C.A.
21	1	PERLE EN FERRITE
22	4	PERLE EN FERRITE

# SCHÉMA ET LISTES DES PIÈCES

## MK230PC / MK345PC / MK460PC

Cette page fournit les instructions de Minn Kota en conformité avec la directive DEEE. Le chargeur ne doit pas être démonté, mais les cordons peuvent être coupés et retirés. Pour plus d'informations sur l'endroit où vous devez disposer de vos déchets d'équipements pour le recyclage et la récupération et/ou selon les exigences de votre État membre de l'Union européenne, veuillez contacter votre détaillant ou le distributeur duquel vous avez acheté votre produit.

Liste non exhaustive des outils requis : Coupe-fils.



ITEM	QTY	DESCRIPTION
1	1	PIÈCE D'ENROBAGE A
2	1	PIÈCE D'ENROBAGE B
3	1	AUTOCOLLANT DU NUMÉRO DE SÉRIE - CORDON
4	8	VIS
5	3	PLAQUETTE DE RACCORDEMENT C.A. 16 AWG BLANCHE
6	3	PLAQUETTE DE RACCORDEMENT C.A. 16 AWG NOIRE
7	8	RONDELLE
8	12	PIED DE LAVAGE, 0,25 PO (0,64 CM) (
9	5	ANNEAU
10	4	CORDON DE SORTIE
11	1	CORDON D'ENTRÉE, 14 AWG
12	4	AGRAFE-RESSORT
13	4	JOINT
14	4	PLAQUETTE D'ASSEMBLAGE
15	8	PLAQUE ISOLANTE
16	1	AUTOCOLLANT MK230PC
	1	AUTOCOLLANT MK345PC
	1	AUTOCOLLANT MK460PC
17	1	AUTOCOLLANT DE MISE EN GARDE MK230PC
	1	AUTOCOLLANT DE MISE EN GARDE MK345PC

ITEM	QTY	DESCRIPTION
	1	AUTOCOLLANT DE MISE EN GARDE MK460PC
18	1	AUTOCOLLANT RECOUVRANT RELATIF AU TYPE DE BATTERIE
19	1	AUTOCOLLANT DE CODE D'ERREUR - PC
20	1	PROFILÉ - MK230
	1	PROFILÉ - MK345
	1	PROFILÉ - MK460
21	2	JOINT
22	1	CAPUCHON
23	1	CAPUCHON, SORTIE 1
24	1	PERLE EN FERRITE
25	4	RONDELLE
26	8	VIS
27	8	VIS
28	1	AUTOCOLLANT DE MISE EN GARDE RELATIVE À L'ENTRÉE
29	1	AUTOCOLLANT BANC 1
30	1	AUTOCOLLANT BANC 2
31	1	AUTOCOLLANT BANC 3 (345 PC ET 460 PC SEULEMENT)
32	1	AUTOCOLLANT BANC 4 (460 PC SEULEMENT)
33	4	PERLE EN FERRITE

# ACCESSOIRES RECOMMANDÉS

## CHARGEUR DE RALLONGES DE SORTIE (MK-EC-15)

Les rallonges sont idéales lorsque les câbles de chargeur standards n'atteignent pas les compartiments de l'arc, du centre ou de la traverse de la batterie. Doté de connecteurs rapides WAGO® Wall-Nut™ (homologués UL). Fils positif et négatif équipés d'un fusible (30 ampères). Offert dans une longueur de 15 pi (4,5 m).



## PORT DE COURANT ALTERNATIF (EAU DOUCE ET EAU SALÉE)

Notre adaptateur pratique permet une connexion dans la coque rapide à une rallonge c.a. en utilisant la prise mâle c.a. de n'importe lequel de nos chargeurs. Aucune coupe ou épissure requises. Le couvercle imperméable et le joint empêchent la corrosion sur la prise c.a. lorsque le chargeur n'est pas utilisé.



MKR-21



MKR-23

## ANCRE POUR EAUX PEU PROFONDES TALON

Les ancres Talon se déploient rapidement, ont une force de retenue plus élevée et sont plus silencieuses que tout autre ancre pour eaux peu profondes. Offerts en profondeurs allant jusqu'à 12 pi (3,66 m) et en options de couleurs vives, elles comportent plusieurs fonctionnalités et innovations uniques dans le domaine:



- Déploiement Vertical en Plusieurs Étapes
- Modes D'ancrage Pouvant être Sélectionnés par L'utilisateur
- 2x la Force d'ancrage
- Déploiement Rapide
- Descente/Montée Automatique
- Triple Protection Contre les Débris
- Amortisseur Automatique de Vague Intégré
- Dissipation de Bruit
- Réglages Polyvalents

## ACCESSOIRES MINN KOTA

Nous offrons un large éventail d'accessoires pour les propulseurs électriques, y compris:



- Un Disjoncteur de 60 A
- Des Supports de Montage
- Des Ensembles Stabilisateur
- Des Rallonges de Poignée
- Des connecteurs de batterie
- Bacs à Batterie
- Des fiches de connexion rapide

Pour la liste complète des pêche à la traîne motor accessories, veuillez visiter le site Web [minnkotamotors.com](http://minnkotamotors.com)

Suivez-nous:



[minnkotamotors.com](http://minnkotamotors.com)

Minn Kota Consumer & Technical Service  
Johnson Outdoors Marine Electronics, Inc.  
PO Box 8129  
Mankato, MN 56001

121 Power Drive  
Mankato, MN 56001  
Phone (800) 227-6433  
Fax (800) 527-4464



©2016 Johnson Outdoors Marine Electronics, Inc.  
All rights reserved.