

HELIX® PORTABLE CONTROL HEAD Installation Guide

532503-2_C

Follow the instructions in this installation guide to install the control head in the portable case.

There may be some minor differences between the hardware described in this manual and the actual hardware included, depending on the configuration you purchased. We encourage you to read this guide completely so that you may understand the installation requirements.

Technical Support: If you find that any items are missing from your installation kit, visit our Web site at humminbird.johnsonoutdoors.com or contact Humminbird Technical Support through our Help Center at <https://humminbird-help.johnsonoutdoors.com/hc/en-us>.

Supplies: In addition to the installation kit, you will need a Phillips-head screwdriver, flat-head screwdriver, awl, hammer, and pliers.

NOTE

The procedures and features described in this guide are subject to change without notice. This guide was written in English and may have been translated to another language. Humminbird is not responsible for incorrect translations or discrepancies between documents.

The illustrations in this guide may not look the same as your product, but your unit will function in the same way.

PORTABLE CONVERSION KIT

If you have a Portable Conversion Kit, you must first un-install the control head and the transducer from their fixed mounting positions before performing the portable installation instructions described in this guide. Once you have converted the control head and the transducer to portable configurations, you will be ready to mount the portable case.

1 | Converting the Control Head to Portable

1. Disconnect the cables from the control head installed on your boat.
2. Loosen the gimbal knobs and slide the control head out of the gimbal bracket.
3. Go to **Portable Case Assembly** and follow the instructions through the section **Installing the Base in the Portable Bag**.

2 | Converting the Transducer to Portable

1. Unscrew the transducer from the fixed mounting bracket on your boat, saving the original screws for any future fixed mounting configuration (new portable mounting screws are provided in the Portable Conversion Kit).
2. Proceed to the portable transducer installation guide and follow the instructions to install the transducer.

INSTALLATION PREPARATION

1 | Charging the Battery

You should fully charge your battery before using it for the first time to ensure peak performance. You should also re-charge your battery at least once every 6 months to maintain your battery's peak performance levels. This is especially important during periods of prolonged storage.

WARNING

Do NOT use the Humminbird charger with other manufacturers' batteries. The Humminbird charger is only compatible with Humminbird batteries. If you have questions, please see our Web site at humminbird.johnsonoutdoors.com or contact Humminbird Technical Support through our Help Center at <https://humminbird-help.johnsonoutdoors.com/hc/en-us>.

HELIX® PORTABLE CONTROL HEAD Installation Guide

532503-2_C

NOTE

Some international models may not include a battery or battery charger.

1. Charge the battery, using the included battery charger, until it is fully charged as indicated by the LED on the charger. Charging usually requires 8 continuous hours, but may vary depending on your configuration.

NOTE

The battery charger uses a yellow LED to indicate it is charging. On some models, this light might appear closer to orange than yellow. When this happens, the battery is still charging properly and should be left to charge until the LED becomes green.

2. Slide the battery terminal adapter over each spade terminal.

CAUTION

Do not pull on the battery or charger cables when you are trying to connect them or disconnect them from the battery terminals. Push or pull gently on the spade terminals instead. If the connector feels tight, use a slight wiggling motion to slide the spade connector into place on the terminal.

NOTE

The Battery Terminal Adapter allows you to power your control head and charge it at the same time.

PORTABLE CASE ASSEMBLY

Perform the portable case assembly tasks in order, referring to the step-by-step procedures that represent the following main assembly tasks:

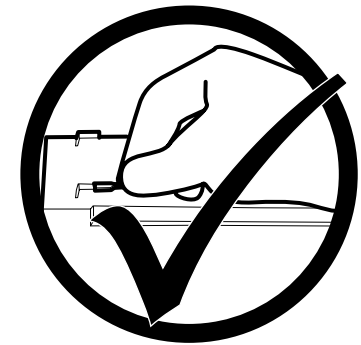
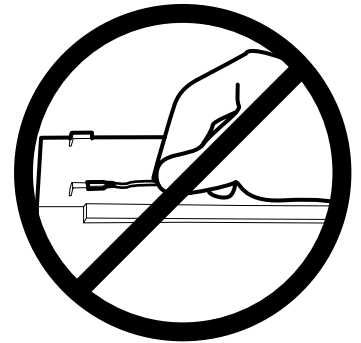
- Installing the riser blocks and gimbal bracket onto the portable base
- Routing the cables in the base
- Finalizing the portable base assembly
- Installing the battery
- Installing the base in the portable bag
- Stowing the portable transducer and battery charger in the portable bag

When you are finished, the control head and the transducer will be part of the portable case assembly. If you plan to use the portable case assembly for ice fishing, you will be ready to take your portable case on the ice for final setup.

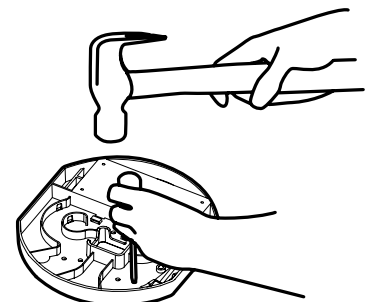
1 | Assembling the Portable Base

1. Turn over the base, and locate the 4 holes labeled D.
2. Use a screwdriver [or an awl] with a hammer to punch out the selected mounting holes.
3. Turn the base right side up.
4. Install the riser blocks on the portable base using the following guidelines:
 - Line up the holes on the riser blocks with the holes you punched out of the base in step 2.
 - Align the riser blocks so that the wider end of each block is on the base. The narrow end of each riser block should be facing up. The angled corners on the riser blocks should be facing out.
 - See the illustrations *Aligning the Riser Blocks* and *Installing the Riser Blocks on the Base*.

Handling the Spade Terminals

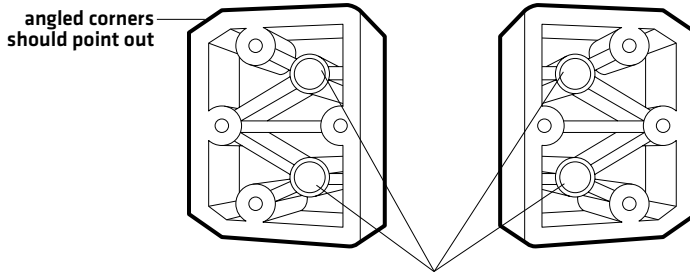


Punching Holes



HELIX® PORTABLE CONTROL HEAD Installation Guide

532503-2_C

Aligning the Riser Blocks


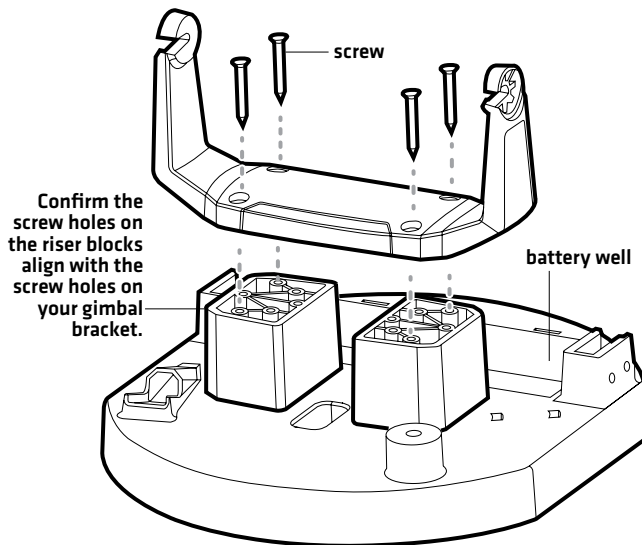
Align the screw holes on the riser blocks with the punched-out holes in the base.

- Secure the riser blocks to the base with the four included #8-15 x 3/4" screws. See the illustration *Installing the Riser Blocks on the Base*. Hand tighten only!

CAUTION

Do not use a high speed driver on this combination of fasteners. Hand tighten only.

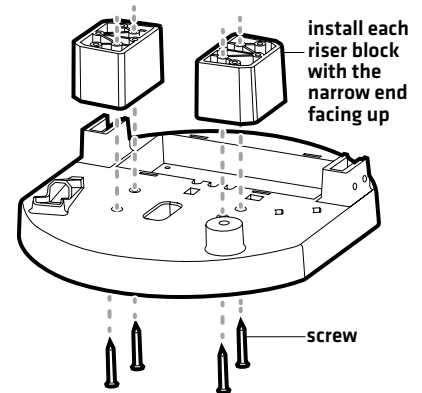
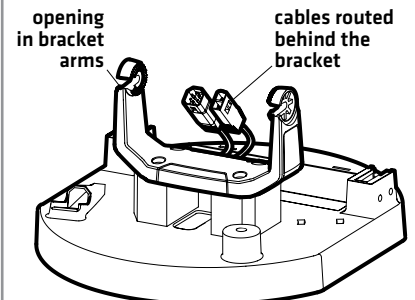
- Select the gimbal bracket for your control head model.
- Line up the mounting holes on the gimbal bracket with the screw holes on the top of the riser blocks. Make sure the opening in the gimbal bracket arms faces away from the battery well on the base.

Installing the Gimbal Bracket on the Riser Blocks


- Using a Phillips-head screwdriver, secure the gimbal bracket with the four included #8 x 1 1/4" screws. **Hand tighten only!**
- Route the power cable and the transducer jumper cable from under the base and up through the hole in the base. See the illustration *Portable Base Assembly*.
- Install the gimbal knobs into each side of the control head. Tighten the knobs just enough so you can slide the control head into the gimbal bracket arms.
- Insert the power and the transducer jumper cable connectors into the correct ports on your control head. Refer to the illustration that matches the number of ports on your control head.

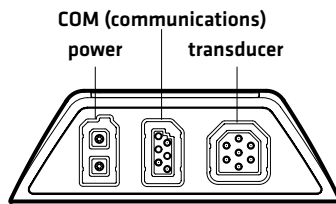
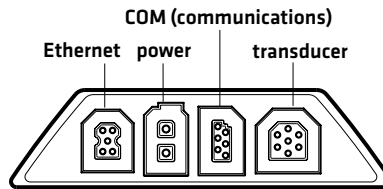
NOTE

The control head ports are keyed to prevent reversed installation, so be careful not to force the connectors into the wrong ports.

Installing the Riser Blocks on the Base

Portable Base Assembly


HELIX® PORTABLE CONTROL HEAD Installation Guide

532503-2_C

Control Head with 3 Ports

**Control Head with 4 Ports
(includes Ethernet)**


12. Confirm there is enough cable slack to allow the control head to pivot through its full tilt range and for connecting or disconnecting the cables. Carefully pull the excess cable from beneath the portable base.
13. Disconnect the cables from the control head. Slide the control head out of the gimbal bracket and set it aside.

It is important to note the amount of cable you will need to reconnect to the control head when you install it on the portable base later in the installation.

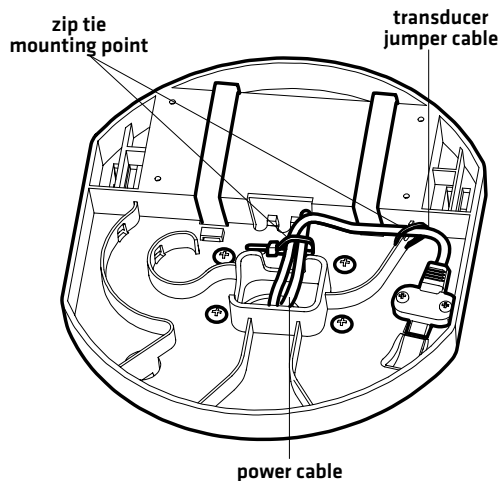
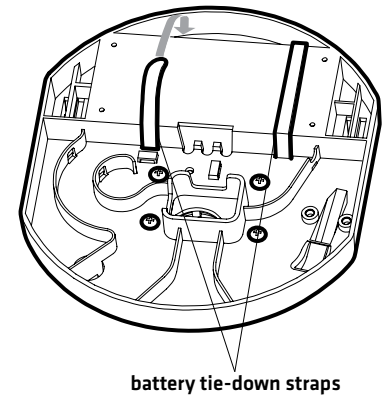
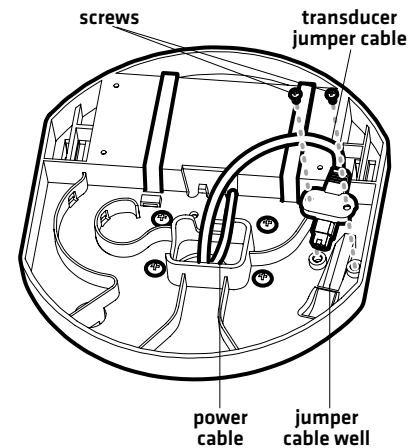
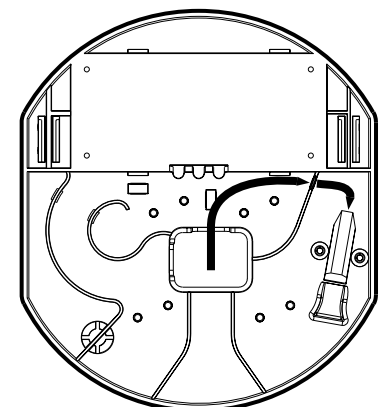
2 | Routing the Cables in the Base

In this procedure, you will route the power and transducer jumper cables on the underside of the base and attach the tie-down straps that will be used to secure the battery to the base in a later procedure.

NOTE

As you route the cables, make sure you leave enough cable length on the surface of the portable base to reconnect the cables to the control head later in the installation.

1. Turn the base upside down.
2. Thread the two included battery tie-down straps from the bottom of the base up through each side of the battery well, using the strap holes in the base. Make sure the soft side of the strap faces down.
3. Insert the power cable into the **center slot** of the battery well. [If you need to adjust the cable route, you can select a different slot.]
4. Route the transducer jumper cable as shown in the illustrations *Installing the Cables onto the Base* and *Transducer Jumper Cable Path*.
5. Fit the transducer jumper cable connector down into the jumper cable well and snap it into place. Insert the two #6-32 x 1/4" screws included to secure the transducer jumper connector and tighten them using a Phillips-head screwdriver. **Hand tighten only!**
6. Adjust the cables as needed. Secure all cables to the base using the included zip ties at the points shown in the illustration *Tying Down the Cables*.

Tying Down the Cables

**Attaching the Battery
Tie-Down Straps**

Installing the Cables onto the Base

Transducer Jumper Cable Path


HELIX® PORTABLE CONTROL HEAD Installation Guide

532503-2_C

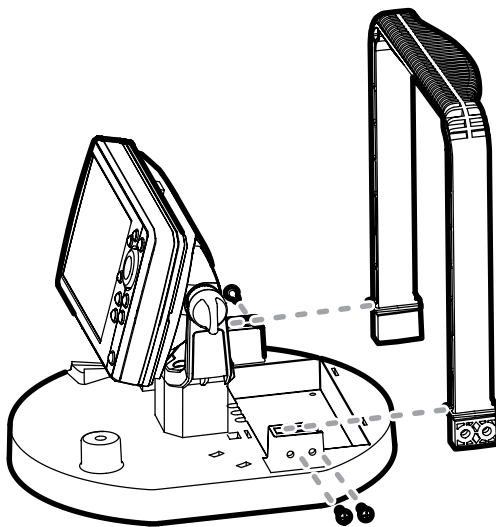
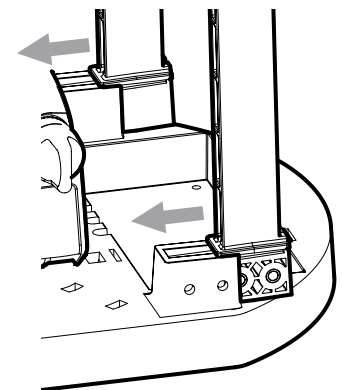
- Turn the base right side up and pull up gently on the battery tie-down straps to remove the slack.

NOTE

As Before you install the battery into the portable case, finish the assembly procedures and charge the battery for 8 hours. See *Charging the Battery* and *Installing the Battery* for more information.

3 | Finalizing the Portable Base Assembly

- Slide the control head [with gimbal knobs installed] into the gimbal bracket arms.
- Insert the power and the transducer jumper cable connectors into the control head ports. See the illustrations *Control Head with 3 Ports* and *Control Head with 4 Ports (includes Ethernet)* for details.
- Adjust the control head viewing angle, and tighten the gimbal knobs so the control head is secured on the gimbal bracket. **Hand tighten only!**
- Install the handle onto the base, so that the curved part of the handle faces towards the back of the base, towards the battery well.

Installing the Handle onto the Base

Sliding in the Handle


- Install the four included #8-32 x 7/16" screws, two on each side of the handle, to attach the handle to the base. **Hand tighten only!**

NOTE

The handle is keyed so that it only fits onto the base in one way.

4 | Installing the Battery

Before proceeding with this procedure, confirm the battery is fully charged [see *Charging the Battery*].

NOTE

Some international models may not include a battery or battery charger.

- Move the tie-down straps out of the way so that the battery well is fully accessible.

NOTE

For ease of access to the battery well, move the tie-down straps to the side and secure them around the handle.

HELIX® PORTABLE CONTROL HEAD Installation Guide

532503-2_C

- Center the foam pad on the battery well.
- Place the battery on the foam pad and push the battery into the battery well. Make sure the power cable is fitted snugly into the slot in the well so that the battery does not rest on it, and that the foam pad fits evenly around the battery well edges.
- Pull the two battery tie-down straps over the top of the battery and connect both ends of each strap over the top. Make sure that the straps are pulled tight around the battery and that the battery is seated securely in the battery well.

NOTE

Do NOT connect the power cable to the battery at this time. You should wait until just before fishing to connect the power cable to the battery.

5 | Installing the Base in the Portable Bag

- Unzip the front opening on the portable bag.
- Insert the base into the portable bag, so the control head faces out of the bag.
- Pull the bag over one shoulder of the handle at a time. Make sure you can grab the handle through the fabric handhold inset from the outside top of the portable bag.

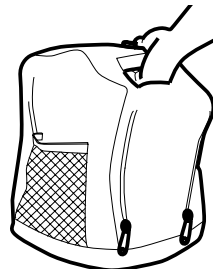
Installing the Base into the Bag



Pulling the Bag over the Handle



Holding the Portable Bag



6 | Connecting Power and the Transducer Cable to the Portable Case

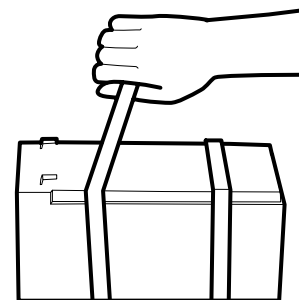
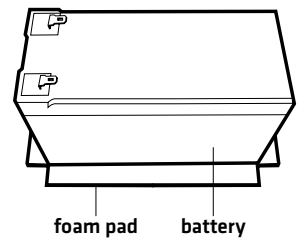
- Make sure the large opening in the front of the portable bag is unzipped. You may want to roll up the flap and secure it while you're working.
- Plug the transducer cable into the jumper port in the portable case to the left of the control head, as you face the front of the bag [see the illustration *Plugging in the Transducer*].
- Turn the portable case around so that you can access the back, and open the back zippers. Connect the spade clip on the red wire of the power cable to the red terminal on the battery, and the spade clip on the black wire of the power cable to the black terminal on the battery. Make sure the spade clips are snugly attached to the terminals [see the illustration *Connecting the Spade Clips*].
- Make sure the back battery door is zipped close, but leave the front of the bag unzipped for operation.

Stowing the Portable Transducer and Battery Charger in the Portable Bag

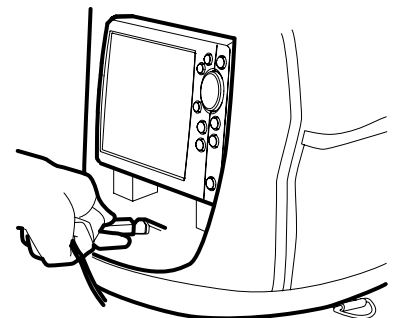
When you're finished using your portable fishfinder, it is important to store the transducer and battery charger, and disconnect power.

- Remove the transducer from the water, wipe it dry, and stow it in the front of the portable case, under the control head.
- Stow the battery charger in the portable case.
- Disconnect Power: Unplug the power cable when not in use.
- Make sure all the zippers are closed.

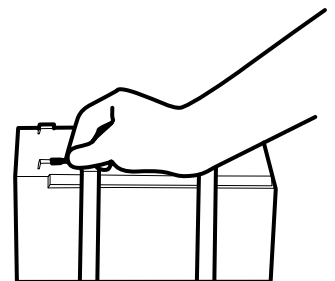
Typing Down the Battery



Plugging in the Transducer



Connecting the Spade Clips



HELIX® PORTABLE CONTROL HEAD Installation Guide

532503-2_C

MAINTENANCE

Your Humminbird Portable fishfinder is designed to provide years of trouble-free operation with virtually no maintenance. Follow the simple procedures below to ensure that your Humminbird Portable continues to deliver top performance.

Control Head Maintenance

It is important to consider the following precautions when using your control head.

⚠ CAUTION

Do not use a chemical glass cleaner on the screen. Chemicals in the solution may cause cracking in the lens of the unit.

- Chemicals, such as those found in bug spray and sunscreen, may cause permanent damage to the control head screen. Such damage is not covered by the warranty.
- Never leave your Humminbird Portable unit in a closed car or trunk — the high temperatures generated in hot weather can damage the electronics.

Use the following information to keep the control head and screen clean.

- **Screen:** When cleaning the LCD protective screen, use a chamois and non-abrasive, mild cleaner. Be careful to avoid scratching the lens.

NOTE

Do not wipe the screen while dirt or grease is on the screen.

- **Control Head:** If the unit comes into contact with salt spray, wipe the affected surfaces with a cloth dampened in fresh water.

Portable Case Maintenance

- If the Portable case comes into contact with salt spray, wipe the affected surfaces with a lint-free cloth, then apply a commercially available anti-corrosive treatment to all exposed electrical contacts.
- If the portable case bag becomes dirty, clean the bag with mild soap, water, and a soft rag or brush and then hang it up to dry.

How to Remove Water from the Portable Case

Open the front zipper and pull the case down to allow water to exit the case. If needed, remove the case from the plastic base and air-dry it. Follow recommended maintenance procedures for salt spray exposure, if needed.

SPECIFICATIONS

Power Requirement 12 Volt sealed lead acid battery;
up to 16 hours continuous operation

CONTACT HUMMINBIRD

Contact Humminbird Technical Support through our Help Center at <https://humminbird-help.johnsonoutdoors.com/hc/en-us> or in writing to the address below:

Humminbird Service Department
678 Humminbird Lane
Eufaula, AL 36027 USA

⚠ WARNING

Disassembly and repair of this electronic unit should only be performed by authorized service personnel. Any modification of the serial number or attempt to repair the original equipment or accessories by unauthorized individuals will void the warranty.

Do NOT use the Humminbird charger with other manufacturers' batteries. The Humminbird charger is only compatible with Humminbird batteries. If you have questions, visit our Web site at humminbird.johnsonoutdoors.com or contact Humminbird Technical Support.

NOTE

Product specifications and features are subject to change without notice.

For operations information, see the Operations Summary Guide and control head operations manual.

ENVIRONMENTAL COMPLIANCE STATEMENT: It is the intention of Johnson Outdoors Marine Electronics, Inc. to be a responsible corporate citizen, operating in compliance with known and applicable environmental regulations, and a good neighbor in the communities where we make or sell our products.

WEEE DIRECTIVE: EU Directive 2002/96/EC "Waste of Electrical and Electronic Equipment Directive (WEEE)" impacts most distributors, sellers, and manufacturers of consumer electronics in the European Union. The WEEE Directive requires the producer of consumer electronics to take responsibility for the management of waste from their products to achieve environmentally responsible disposal during the product life cycle.

WEEE compliance may not be required in your location for electrical & electronic equipment (EEE), nor may it be required for EEE designed and intended as fixed or temporary installation in transportation vehicles such as automobiles, aircraft, and boats. In some European Union member states, these vehicles are considered outside of the scope of the Directive, and EEE for those applications can be considered excluded from the WEEE Directive requirement.



This symbol (WEEE wheeled bin) on product indicates the product must not be disposed of with other household refuse. It must be disposed of and collected for recycling and recovery of waste EEE.

Johnson Outdoors Marine Electronics, Inc. will mark all EEE products in accordance with the WEEE Directive. It is our goal to comply in the collection, treatment, recovery, and environmentally sound disposal of those products; however, these requirements do vary within European Union member states. For more information about where you should dispose of your waste equipment for recycling and recovery and/or your European Union member state requirements, please contact your dealer or distributor from which your product was purchased.

L'UNITÉ PORTABLE HELIX Guide d'Installation

532503-2_C

Suivez les instructions contenues dans ce guide d'installation pour installer la tête de commande dans la mallette de transport.

Il pourrait y avoir quelques différences mineures entre la quincaillerie décrite dans cette notice et la quincaillerie réellement fournie, car elle dépend de la configuration du produit acheté. Nous vous encourageons à lire ce guide dans son intégralité afin de prendre connaissance des exigences d'installation.

Support technique : Si vous découvrez que des articles sont manquants dans votre trousse d'installation, rendez-vous sur notre site Web, humminbird.johnsonoutdoors.com, ou contactez le support technique Humminbird via notre centre d'aide à l'adresse <https://humminbird-help.johnsonoutdoors.com/hc/en-us>.

Matériel : Outre la trousse d'installation, vous aurez besoin d'un tournevis à pointe cruciforme et d'un tournevis à tête plate, d'un poinçon, d'un marteau, et d'une pince.

REMARQUE

Les procédures et les fonctionnalités décrites dans ce manuel sont susceptibles d'être modifiées à tout moment sans préavis. Ce manuel a été rédigé en anglais et a été traduit dans d'autres langues. Humminbird n'est pas responsable de la traduction inexacte ou des légères anomalies susceptibles d'être rencontrées dans les différents documents.

Même si les illustrations de ce manuel ne représentent pas exactement votre appareil, celui-ci fonctionne de la même façon.

TROUSSE DE CONVERSION EN UNITÉ PORTABLE

Si vous disposez d'une trousse de conversion en unité portable, vous devez tout d'abord désinstaller la tête de commande et le transducteur de leurs emplacements fixes respectifs sur le bateau avant de suivre les directives d'installation standard pour l'appareil portable, décrites dans cette notice. Lorsque vous aurez converti la tête de commande et le transducteur en leurs configurations portables, vous serez prêt à monter le boîtier portable.

1 | Conversion de la tête de commande en unité portable

1. Débranchez les câbles de la tête de commande installée sur le bateau.
2. Desserrez les molettes du cardan et retirez la tête de commande du support à cardan en la faisant glisser.
3. Passez à la section **Montage du boîtier portable** et suivez les directives indiquées à la **Installation de la base dans la mallette de transport**.

2 | Conversion du transducteur en unité portable

1. Dévissez le transducteur de son support fixé au bateau, en prenant soin de conserver les vis d'origine pour toute configuration de montage fixe future éventuelle [de nouvelles vis de montage sont fournies dans la trousse de conversion en unité portable].
2. Passez au guide d'installation du transducteur et suivez les instructions détaillées.

PRÉPARATION DE L'INSTALLATION

1 | Charger la batterie

Vous devez charger complètement votre batterie avant de l'utiliser pour la première fois afin d'assurer des performances optimales. Vous devez également recharger votre batterie au moins une fois tous les 6 mois pour maintenir les niveaux de performance de pointe de votre batterie. Ceci est particulièrement important pendant les périodes de stockage prolongé.

AVERTISSEMENT

NE PAS utiliser le chargeur Humminbird avec des piles d'autres fabricants. Le chargeur Humminbird n'est compatible qu'avec des piles Humminbird. Pour toute question, rendez-vous sur notre site Web à l'adresse humminbird.johnsonoutdoors.com, ou contactez le support technique Humminbird via notre centre d'aide à l'adresse <https://humminbird-help.johnsonoutdoors.com/hc/en-us>.

L'UNITÉ PORTABLE HELIX Guide d'Installation

532503-2_C

REMARQUE

La batterie et le chargeur ne sont pas inclus avec certains modèles internationaux.

1. Chargez la batterie à l'aide du chargeur inclus en veillant à la charger à fond, indiqué par le voyant du chargeur. En général, la charge de la batterie prend 8 heures continues mais cela peut varier avec votre configuration.

REMARQUE

Le chargeur de batterie signale la mise en charge par un voyant jaune. Sur certains modèles, ce voyant se rapproche plus de l'orange que du jaune. La batterie continue alors de se charger normalement, et la mise en charge doit se poursuivre tant que le témoin n'est pas passé au vert.

2. Faites glisser l'adaptateur de borne de batterie sur chaque borne en fourche.

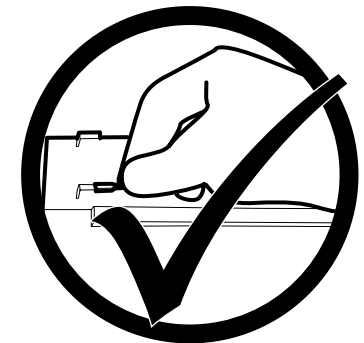
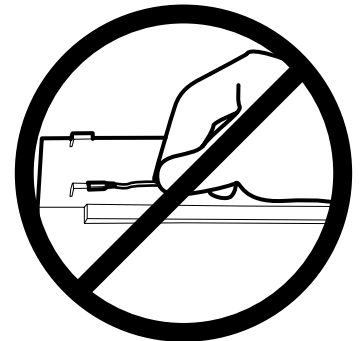
⚠ MISE EN GARDE

Ne tirez pas sur les câbles de la batterie ou du chargeur en tentant de les brancher ou de les débrancher des bornes de la batterie. Il vaut mieux enfoncer ou tirer délicatement sur les bornes en fourche. Si le connecteur paraît trop serré, appliquez un léger mouvement oscillant pour faire glisser le connecteur en fourche sur la borne.

REMARQUE

L'adaptateur de borne de batterie permet d'alimenter la tête de commande et de la charger en même temps.

Manipulation des bornes en fourche



MONTAGE DU BOÎTIER PORTABLE

Vous devriez effectuer les tâches de montage du boîtier portable dans la séquence indiquée, c'est-à-dire en suivant systématiquement les procédures de montage principales suivantes:

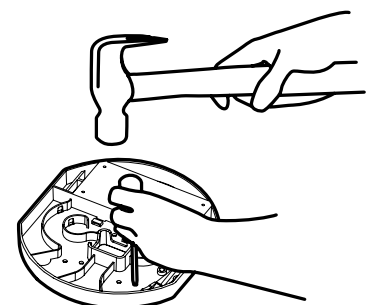
- Installation des blocs surélévateurs et du support à cardan sur le boîtier portable
- Acheminement des câbles dans la base
- Finalisation de l'ensemble de boîtier portable
- Installation de la batterie
- Installation de la base dans la mallette de transport
- Mise en place du transducteur portable et du chargeur de batterie dans le boîtier portable

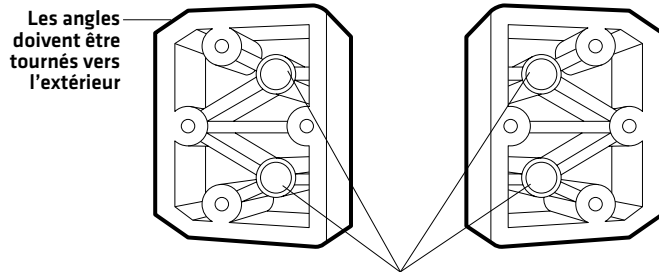
Une fois terminé, la tête de commande et le transducteur sont intégrés au boîtier portable. Si vous envisagez d'utiliser la mallette de transport pour la pêche sous glace, vous serez prêt à emporter votre mallette de transport sur la glace pour un réglage final.

1 | Assemblage du boîtier portable

1. Retournez la base et localisez les 4 trous étiquetés D.
2. Utilisez un tournevis ou un foret avec un marteau pour perforer les trous de montage sélectionnés.
3. Mettez la partie droite de la base vers le haut.
4. Installez les blocs surélévateurs sur le boîtier portable en respectant les directives suivantes :
 - Alignez les orifices des blocs surélévateurs sur les trous que vous avez poinçonnés sur le boîtier dans l'étape 2.
 - Alignez les blocs surélévateurs de façon à ce que l'extrémité la plus large de chaque bloc se trouve sur le boîtier. L'extrémité étroite de chaque bloc surélévateur doit être vers le haut. Les angles des blocs surélévateurs doivent être vers l'extérieur.
 - Consultez les illustrations *Alignement des blocs surélévateurs* et *Installation des blocs surélévateurs sur le boîtier*.

Perforation des trous



Alignement des blocs surélevateurs


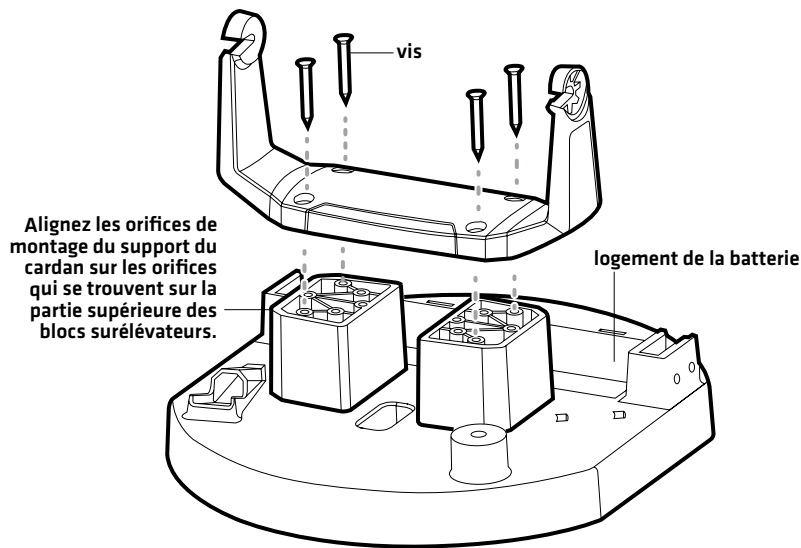
Alignez les orifices des vis des blocs surélevateurs sur les orifices poinçonnés sur le boîtier.

- Fixer les blocs surélevateurs montante à la base avec les quatre inclus n° 8-15 x 3/4 po vis. Consultez l'illustration *Installation des blocs surélevateurs sur le boîtier*. Serrer à la main seulement!

⚠ MISE EN GARDE

Ne pas utiliser de visseuse à grande vitesse avec cet ensemble de dispositifs de fixation. **Serrer à la main seulement.**

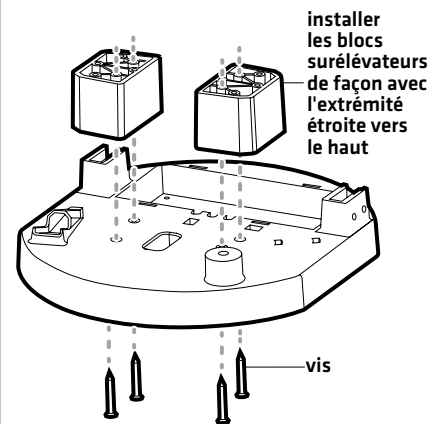
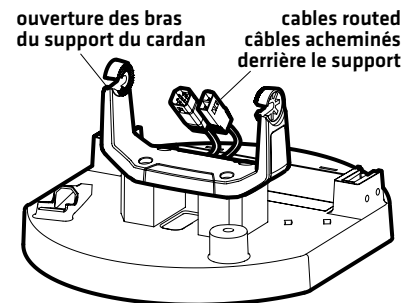
- Sélectionnez le support du cardan pour le modèle de votre tête de commande.
- Alignez les orifices de montage du support du cardan sur les trous de vis qui se trouvent sur la partie supérieure des blocs surélevateurs. Vérifiez que l'ouverture des bras du support du cardan est dos au logement de la batterie sur la base.

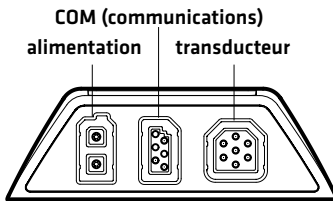
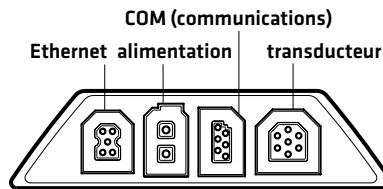
Installation du support à cardan sur les blocs surélevateurs de façon


- À l'aide d'un tournevis à tête cruciforme, fixez le support à cardan utilisant les quatre inclus n° 8 x 1 1/4 po vis. **Serrer à la main seulement!**
- Faites passer le câble d'alimentation et le câble de démarrage du transducteur du dessous de la base dans l'orifice du socle. Consultez l'illustration *Assemblage de base portable*.
- Placez les molettes du cardan de chaque côté de la tête de commande. Serrez les molettes juste assez pour pouvoir faire glisser la tête de commande dans les bras du support à cardan.
- Insérez les fiches du câble d'alimentation et du câble du transducteur dans les ports de forme correspondante sur la tête de commande. Reportez-vous à l'illustration correspondant au nombre de ports sur votre tête de commande.

REMARQUE

Les connecteurs de tête de commande sont clavetés afin de prévenir leur inversion, alors assurez-vous de ne pas forcer les connecteurs dans les mauvaises fentes.

Installation des blocs surélevateurs sur le boîtier

Assemblage de base portable


Tête de commande à 3 ports

**Tête de commande à 4 ports
(avec Ethernet)**


12. Assurez-vous que le câble ait assez de mou pour permettre à la tête de commande de pivoter entièrement et le branchement et le débranchement des câbles. Tirez doucement sur le mou du câble sous le boîtier portable.
13. Débranchez les câbles de la tête de commande. Retirez la tête de commande du support à cardan en la faisant glisser et mettez-la de côté. Il est important de noter la quantité de câble dont vous aurez besoin pour la reconnexion à la tête de commande lorsque vous l'installerez sur le boîtier portable ultérieurement au cours de l'installation.

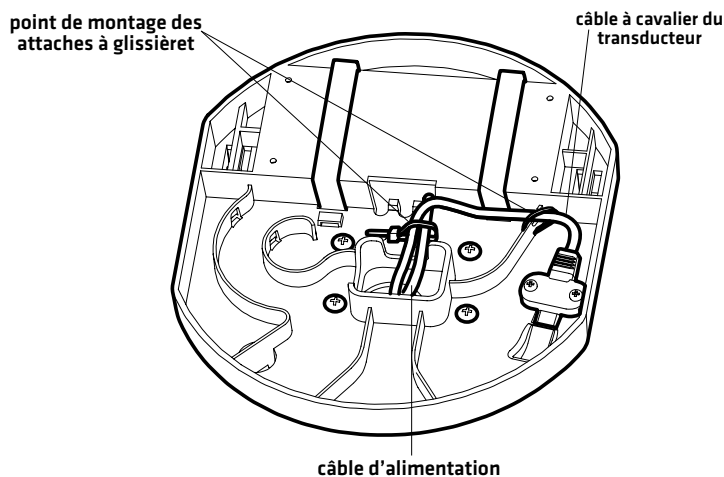
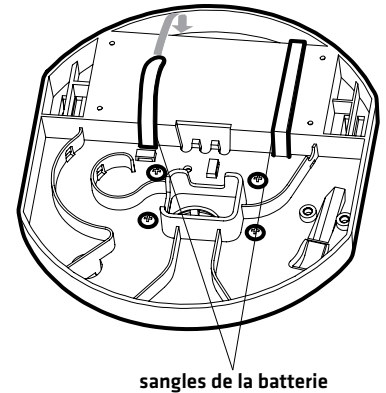
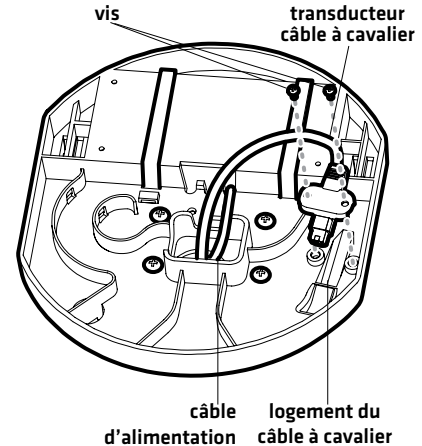
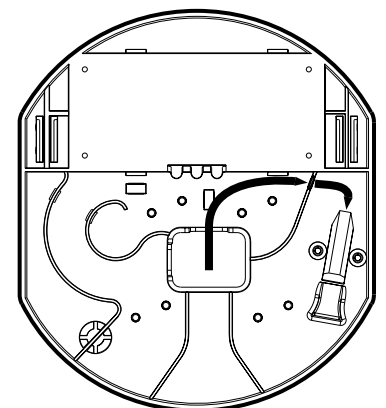
2 | Acheminement des câbles dans la base

Suivez cette procédure pour acheminer le câble d'alimentation et le câble à cavalier du transducteur sur le dessous de la base, et attacher les sangles qui seront utilisées plus tard pour fixer la batterie à la base.

REMARQUE

Lorsque vous acheminez les câbles, vérifiez que vous laissez la longueur de câble suffisante sur la surface du boîtier portable pour pouvoir reconnecter ces câbles à la tête de commande ultérieurement au cours de l'installation.

1. Mettez le socle à l'envers.
2. Enfilez les deux sangles de batterie (fournies) depuis la base du socle à travers les trous des sangles de part et d'autre du logement de batterie. Assurez-vous que la face lisse de la sangle est orientée vers le bas.
3. Insérez le câble d'alimentation dans la **fente centrale** du logement de la batterie. (Si vous avez besoin d'ajuster le parcours du câble, vous pouvez sélectionner un autre fente.)
4. Acheminez le câble à cavalier du transducteur comme indiqué dans les illustrations **Installation des câbles sur le socle** et **Parcours du câble à cavalier du transducteur**.
5. Ajustez le connecteur du câble à cavalier du transducteur vers le bas dans le logement du câble à cavalier et enclenchez-le en place. Insérez les deux vis n° 6-32 x 1/4 po incluses pour fixer le connecteur à cavalier du transducteur et serrez en utilisant un tournevis à tête cruciforme. **Serrez la vis à la main seulement!**
6. Ajuster les câbles au besoin. En utilisant les attaches à glissière incluses, fixez tous les câbles à la base aux points de montage indiqués dans l'illustration **Fixation des câbles**.

Fixation des câbles

Fixation des sangles de la batterie

Installation des câbles sur le socle

Parcours du câble à cavalier du transducteur


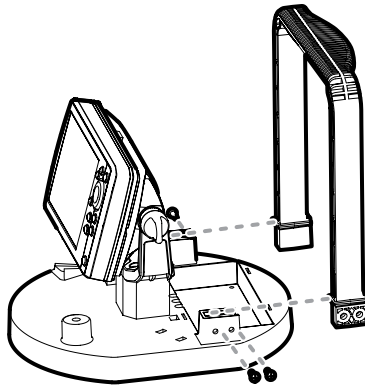
- Retournez la base à l'endroit et tirez sans forcer sur les sangles de la batterie pour éliminer le mou.

REMARQUE

Terminez les procédures d'assemblage et chargez la batterie pendant 8 heures avant d'installer celle-ci dans la mallette de transport. Voir **Charger la batterie** et **Installation de la batterie** pour plus d'informations à ce sujet.

3 | Finalisation de l'ensemble de boîtier portable

- Faites glisser la tête de commande [molettes du cardan installées] dans les bras du support du cardan.
- Insérez les fiches du câble d'alimentation et du câble du transducteur dans les ports de la tête de commande. Consultez l'illustrations **Tête de commande à 3 ports** et **Tête de commande à 4 ports [avec Ethernet]** pour plus d'informations.
- Réglez l'angle de la tête de commande et serrez les molettes du cardan jusqu'à ce que la tête de commande soit solidement maintenue sur le support du cardan. **Serrez la vis à la main seulement!**
- Installez la poignée sur le socle de façon à orienter la partie recourbée de la poignée vers la partie arrière du socle, en direction du logement de la batterie.

Installation de la poignée sur la base


- Utilisez les quatre vis n° 8-32 x 7/16 po [fournies], à raison de deux sur chaque côté de la poignée pour fixer celle-ci au socle. **Serrez la vis à la main seulement!**

REMARQUE

La poignée est indentée et ne s'installe sur la base que d'une seule façon.

4 | Installation de la batterie

Avant de procéder à cette procédure, vérifiez que la batterie est chargée (voir **Charger la batterie**).

REMARQUE

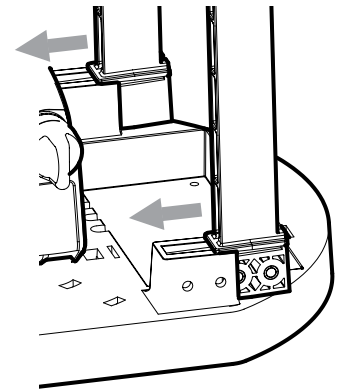
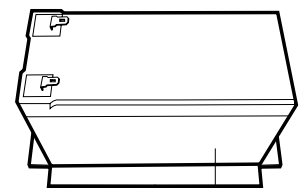
Il est possible que la batterie et le chargeur ne soient pas inclus dans certains modèles internationaux.

- Dégagez les sangles de fixation du logement de la batterie pour que celle-ci soit facile d'accès.

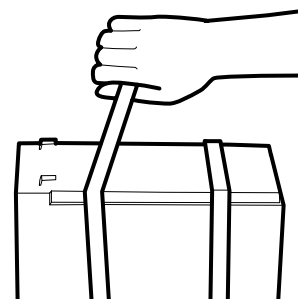
REMARQUE

Pour faciliter l'accès à le logement de la batterie, déplacer les sangles d'arrimage sur le côté et les fixer autour de la poignée.

- Centrez le coussin d'étanchéité sur le logement de la batterie.
- Placez la batterie sur le coussin d'étanchéité et poussez la batterie dans le logement de la batterie. Assurez-vous que le câble d'alimentation est bien en place dans son logement afin que la batterie ne repose pas dessus, et du coussin d'étanchéité autour des bords du logement.

Insertion de la poignée

Fixation de la batterie


coussin d'étanchéité batterie



L'UNITÉ PORTABLE HELIX Guide d'Installation

532503-2_C

- Faites passer les deux sangles au-dessus de la batterie et raccordez les deux extrémités de chaque sangle en haut, en veillant à ce que les sangles soient étroitement serrées autour de la batterie et que la batterie soit bien en place dans son logement.

REMARQUE

Ne branchez PAS le câble d'alimentation à la batterie à ce stade. Vous devriez attendre jusqu'au moment de la pêche pour brancher le câble d'alimentation à la batterie.

5 | Installation de la base dans la mallette de transport

- Ouvrez la fermeture à glissière avant de la mallette de transport.
- Introduisez le socle dans la mallette de transport, en orientant la tête de commande vers l'avant de la mallette de transport.
- Tirez le sac sur un épaulement de la poignée à la fois. Assurez-vous de pouvoir saisir la poignée à travers le tissu depuis la partie supérieure externe de la mallette de transport.

Installation de la base dans le boîtier



Tirage du boîtier par dessus la poignée



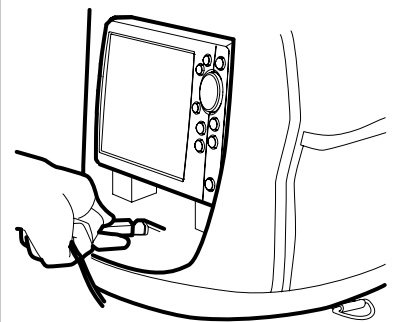
Port du boîtier portable



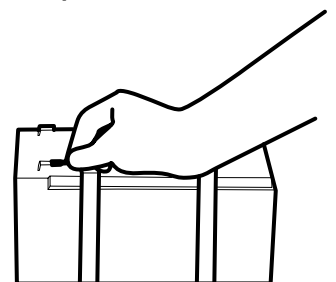
6 | Raccorder les câbles du transducteur et de l'alimentation au boîtier portatif

- Assurez-vous que la grande ouverture à l'avant du boîtier portatif est ouverte. Pour une utilisation plus aisée, enroulez le rabat et maintenez-le à l'aide de la sangle et de l'attache fournies.
- Branchez le câble du transducteur dans le port de démarrage du sac de transport, à gauche de la tête de commande en faisant face au sac (voir l'illustration **Branchement dans le transducteur**).
- Retournez le boîtier portable afin de pouvoir avoir accès à l'arrière et ouvrez les fermetures à glissière située à l'arrière. Raccordez la pince à fourche sur le cordon rouge du câble d'alimentation à la borne rouge de la batterie et la pince à fourche sur le cordon noir du câble d'alimentation à la borne noire de la batterie. Assurez-vous que les pinces à fourche sont bien fixées aux bornes (voir l'illustration **Raccordement des pinces à fourche**).
- Le volet arrière du logement de la batterie doit être refermé, mais laissez la partie avant de la poche ouverte pour opération.

Branchement dans le transducteur



Raccordement des pinces en fourche



Mise en place du transducteur portable et chargeur de batterie dans le boîtier portable

Une fois que vous avez terminé d'utiliser votre détecteur de poissons portable, il est important de ranger le transducteur et chargeur de batterie, et d'éteindre l'alimentation.

- Sortez le transducteur de l'eau, essuyez-le, et rangez-le dans la face avant de la mallette de transport, sous la tête de commande.
- Rangez le chargeur de batterie dans la mallette de transport.
- Puissance Déconnecter** : Débranchez le câble d'alimentation si l'appareil n'est pas utilisé.
- Assurez-vous que les glissières sont bien fermées.

L'UNITÉ PORTABLE HELIX Guide d'Installation

532503-2_C

ENTRETIEN

Votre détecteur de poissons portable Humminbird a été conçu pour fonctionner correctement pendant des années sans pratiquement aucun entretien. Suivez les procédures simples énumérées ci-dessous pour assurer un bon fonctionnement continu de votre appareil Humminbird portable.

MISE EN GARDE

N'utilisez pas de nettoyant chimique pour verre sur l'écran, car cela risquerait de le fendre.

- Les produits chimiques, tels que ceux qui se trouvent dans les insecticides ou les écrans solaires peuvent endommager de façon permanente l'écran de la tête de commande. De tels dégâts ne sont pas couverts par la garantie.
- Ne laissez jamais votre appareil dans une voiture fermée, ou le coffre d'une voiture fermée, car les températures extrêmes des journées chaudes pourraient endommager les composants électroniques.

Utilisez les informations suivantes pour maintenir l'écran et la tête de contrôle propres.

- Écran :** Lorsque vous nettoyez le verre protecteur de l'affichage LCD, utilisez une peau de chamois et un détergent doux non abrasif. Veillez à ne pas rayer le verre.

REMARQUE

N'essayez pas tant qu'il reste de la poussière ou de la graisse sur le verre.

- Tête de commande :** Si l'appareil est exposé à des embruns salés, essuyez les surfaces concernées avec un linge humecté d'eau douce.

Entretien du boîtier portable

- Si le boîtier portatif a été exposé à des embruns salés, essuyez les surfaces touchées avec un linge sans peluche, puis appliquez un traitement anticorrosif du commerce à tous les contacts électriques exposés.
- Si le sac du boîtier portatif devient sale, nettoyez-le avec de l'eau, du savon doux et un chiffon ou une brosse douce, puis pendez-le pour le faire sécher.

Comment faire sortir l'eau du boîtier portatif

Ouvrez la glissière avant et tirez le boîtier vers le bas pour permettre à l'eau de sortir du boîtier. Au besoin, retirez le boîtier de son socle en plastique et faites-le sécher à l'air. Au besoin, suivez les procédures d'entretien recommandées en cas d'exposition aux embruns salés.

CARACTÉRISTIQUES

Alimentation requise. . . Batterie acide-plomb scellée de 12 volts, pour jusqu'à 6 heures de fonctionnement continu

POUR COMMUNIQUER AVEC HUMMINBIRD

Contactez le support technique Humminbird via notre centre d'aide à l'adresse <https://humminbird-help.johnsonoutdoors.com/hc/en-us> ou par écrit à l'adresse ci-dessous :

Humminbird Service Department
678 Humminbird Lane
Eufaula, AL 36027 USA

AVERTISSEMENT

La réparation et/ou le démontage de cet appareil électronique doit être effectué uniquement par un personnel d'entretien autorisé. Toute modification du numéro de série et/ou réparation par un personnel non autorisé entraînera l'annulation de la garantie.

NE PAS utiliser le chargeur Humminbird avec des piles d'autres fabricants. Le chargeur Humminbird n'est compatible qu'avec des piles Humminbird. Pour toute question, rendez-vous sur notre site Web à l'adresse humminbird.johnsonoutdoors.com, ou contactez le support technique Humminbird via notre centre d'aide à l'adresse <https://humminbird-help.johnsonoutdoors.com/hc/en-us>.

REMARQUE

Les caractéristiques et spécifications de ce produit peuvent être modifiées sans préavis.

Consultez le guide de d'utilisation résumé et le guide d'utilisation de la tête de commande pour en savoir plus sur le fonctionnement.

DÉCLARATION DE CONFORMITÉ AVEC L'ENVIRONNEMENT : Johnson Outdoors Marine Electronics, Inc. entend agir en de façon responsable, et respecter la réglementation environnementales connues et applicables et la politique de bon voisinage des communautés où elle fabrique et vend ses produits.

DIRECTIVE DEEE : La directive EU 2002/96/CE sur les « déchets d'équipements électriques et électroniques (DEEE) » concerne la plupart des distributeurs, vendeurs et fabricants d'équipements électroniques grand public dans l'Union européenne. La directive DEEE requiert que le producteur d'équipements électroniques grand public prenne en charge la gestion des déchets de leurs produits et mettent en oeuvre leur élimination en respectant l'environnement, pendant le cycle de vie du produit.

Il est possible que la conformité à la directive DEEE ne soit pas requise sur le site pour les équipements électriques et électroniques (EEE), ou pour les équipements EEE conçus et destinés à des installations temporaires ou fixes sur les véhicules de transport tels que les automobiles, les aéronefs ou les bateaux. Dans certains pays membres de l'Union européenne, ces véhicules n'entrent pas dans le domaine d'application de la directive, et les EEE pour ces applications peuvent être considérés exclus de la conformité à la directive WEEE.



Ce symbole (poubelle DEEE) figurant sur le produit indique qu'il ne doit pas être mis au rebut avec les autres déchets ménagers. Il doit être éliminé et recueilli pour le recyclage et la récupération des équipements EEE à mettre au rebut. Johnson Outdoors Marine Electronics, Inc. marque tous les produits EEE conformément à la directive DEEE. Notre but est de respecter les directives sur la collecte, le traitement, la récupération et la mise au rebut de ces produits en respectant l'environnement ; ces exigences varient toutefois d'un état membre à l'autre de l'Union européenne. Pour obtenir d'autres renseignements sur les sites d'élimination des déchets d'équipements en vue de leur recyclage et de leur récupération et/ou sur les exigences des états membres de l'Union européenne, renseignez-vous auprès du distributeur ou du lieu d'achat de votre produit.