

FRESHWATER INSTALLATION

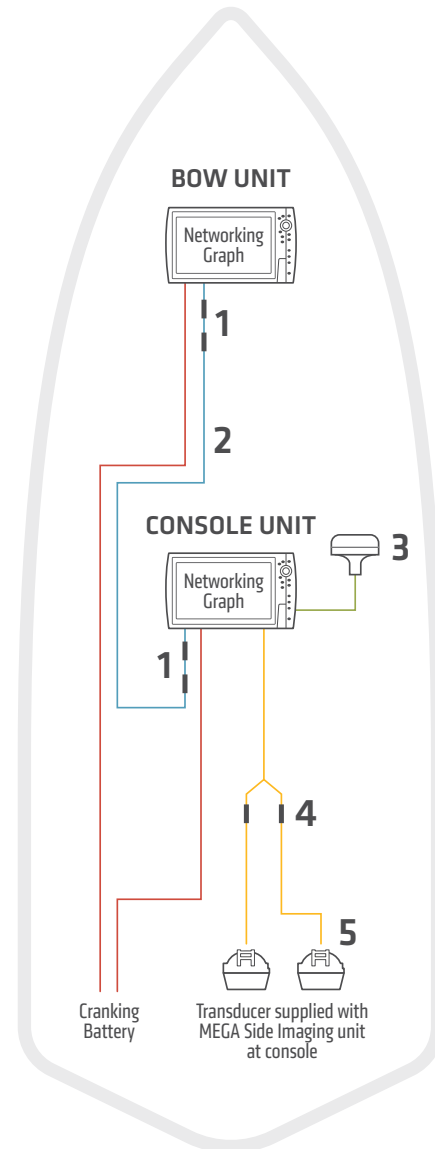


» (1) Bow-mounted Humminbird unit and (1) console-mounted unit networked together, with heading sensor GPS puck and high-speed transducer with y-cable.

HELIX SERIES	APEX/SOLIX SERIES
1 Ethernet Adapter Cable (Need 2) AS EC QDE #720074-1	Ethernet Adapter Cable N/A
2 Ethernet Cable AS EC 5E (5') #720073-6 AS EC 10E (10') #720073-2 AS EC 15E (15') #720073-5 AS EC 20E (20') #720073-3 AS EC 30E (30') #720073-4	Ethernet Cable AS EC 5E (5') #720073-6 AS EC 10E (10') #720073-2 AS EC 15E (15') #720073-5 AS EC 20E (20') #720073-3 AS EC 30E (30') #720073-4
3 GPS + Heading Sensor AS GPS HS #408400-1	GPS + Heading Sensor APEX: AS GPS HS #408400-1 AS GPS #720113-1 SOLIX: AS GPS HS #408400-1 AS GPS NMEA #720080-1
4 Transducer Splitter Cable 9 M SIDB Y #720101-1	Transducer Splitter Cable 14 M ID SIDB Y #720111-1
5 High Speed Transducer (fiberglass hull) XP 9 HW T #710276-1 High Speed Transducer (aluminum hull) XNT 9 HW T #710274-1	High Speed Transducer (fiberglass hull) XP 14 HW T #710287-1 High Speed Transducer (aluminum hull) XNT 14 HW T #710285-1

The accessories and part numbers listed above are valid as of November 2023. Installations shown are for HELIX G3N/G4N and APEX/SOLIX G2/G3 networking models and Minn Kota trolling motors with Adv GPS Navigation.

■ NMEA 0183
 ■ Ethernet
 ■ 12V DC Power
 ■ Transducer Cable
 Bluetooth® Signal



FRESHWATER INSTALLATION



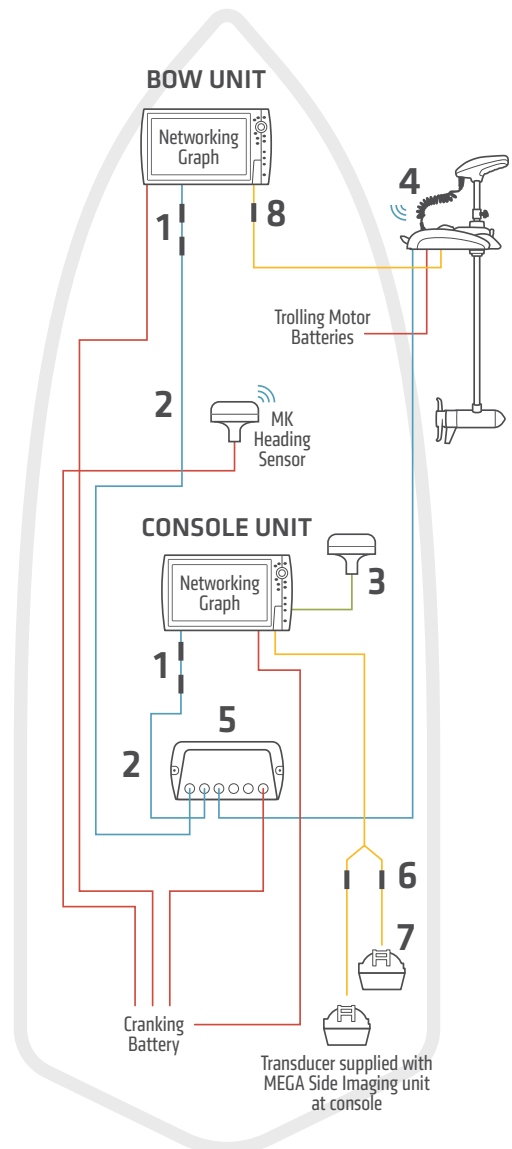
» Minn Kota trolling motor with Adv GPS Navigation and built-in MEGA Imaging, (1) bow-mounted Humminbird unit and (1) console-mounted Humminbird unit, with heading sensor GPS puck and high-speed transducer with y-cable.

HELIX SERIES	APEX/SOLIX SERIES
1 Ethernet Adapter Cable (Need 2) AS EC QDE #720074-1	Ethernet Adapter Cable N/A
2 Ethernet Cable (Need 2) AS EC 5E (5') #720073-6 AS EC 10E (10') #720073-2 AS EC 15E (15') #720073-5 AS EC 20E (20') #720073-3 AS EC 30E (30') #720073-4	Ethernet Cable (Need 2) AS EC 5E (5') #720073-6 AS EC 10E (10') #720073-2 AS EC 15E (15') #720073-5 AS EC 20E (20') #720073-3 AS EC 30E (30') #720073-4
3 GPS + Heading Sensor AS GPS HS #408400-1	GPS + Heading Sensor APEX: AS GPS HS #408400-1 AS GPS #720113-1 SOLIX: AS GPS HS #408400-1 AS GPS NMEA #720080-1
4 Minn Kota Trolling Motor with Adv GPS Navigation and built-in MEGA Imaging or Dual Spectrum CHIRP*	Minn Kota Trolling Motor with Adv GPS Navigation and built-in MEGA Imaging or Dual Spectrum CHIRP*
5 5-Port Ethernet Switch AS ETH SPGL #411850-1	5-Port Ethernet Switch AS ETH SPGL #411850-1 Note: Networks exclusively with APEX units do not require 5-Port Ethernet Switch
6 Transducer Splitter Cable 9 M SIDB Y #720101-1	Transducer Splitter Cable 14 M ID SIDB Y item # 720111-1
7 High Speed Transducer (fiberglass hull) XP 9 HW T #710276-1 High Speed Transducer (aluminum hull) XNT 9 HW T #710274-1	High Speed Transducer (fiberglass hull) XP 14 HW T #710287-1 High Speed Transducer (aluminum hull) XNT 14 HW T #710285-1
8 Adapter Cable for Minn Kota built-in MEGA Imaging: MKR-MI-1 (HELIX 8-15 MEGA Imaging) #1852088 MKR-MDI-2 (HELIX 7 MEGA Imaging) #1852086** Adapter Cable for Minn Kota built-in Dual Spectrum CHIRP: MKR-MI-1 (All HELIX with CHIRP) #1852088	Adapter Cable for Minn Kota built-in MEGA Imaging: N/A

*One (1) AS ECX 30E ethernet extension cable included with Adv GPS Navigation trolling motor.

**Compatible with Minn Kota Built-in MEGA DI only

The accessories and part numbers listed above are valid as of November 2023. Installations shown are for HELIX G3N/G4N and APEX/SOLIX G2/G3 networking models and Minn Kota trolling motors with Adv GPS Navigation.



■ NMEA 0183 ■ Ethernet ■ 12V DC Power ■ Transducer Cable ■ Bluetooth® Signal

FRESHWATER INSTALLATION



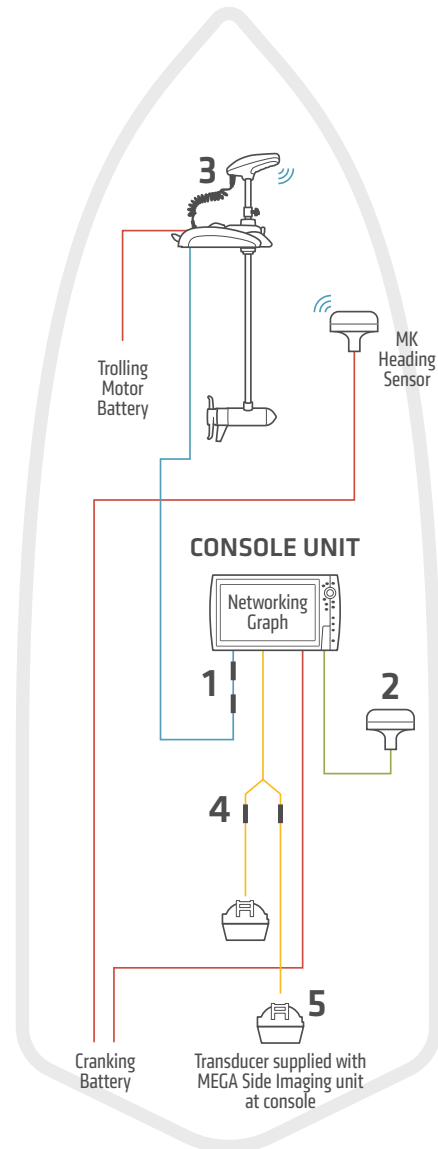
» Minn Kota trolling motor with Adv GPS Navigation and (1) console-mounted Humminbird unit, with heading sensor GPS puck and high-speed transducer with y-cable.

	HELIX SERIES	APEX/SOLIX SERIES
1	Ethernet Adapter Cable AS EC QDE #720074-1	Ethernet Adapter Cable N/A
2	GPS + Heading Sensor AS GPS HS #408400-1	GPS + Heading Sensor APEX: AS GPS HS #408400-1 AS GPS #720113-1 SOLIX: AS GPS HS #408400-1 AS GPS NMEA #720080-1
3	Minn Kota Trolling Motor with Adv GPS Navigation*	Minn Kota Trolling Motor with Adv GPS Navigation*
4	Transducer Splitter Cable 9 M SIDB Y #720101-1	Transducer Splitter Cable 14 M ID SIDB Y #720111-1
5	High Speed Transducer (fiberglass hull) XP 9 HWT #710276-1 High Speed Transducer (aluminum hull) XNT 9 HWT #710274-1	High Speed Transducer (fiberglass hull) XP 14 HWT #710287-1 High Speed Transducer (aluminum hull) XNT 14 HWT #710285-1

*One (1) AS ECX 30E ethernet extension cable included with Adv GPS Navigation trolling motor.

The accessories and part numbers listed above are valid as of November 2023. Installations shown are for HELIX G3N/G4N and APEX/SOLIX G2/G3 networking models and Minn Kota trolling motors with Adv GPS Navigation.

■ NMEA 0183 ■ Ethernet ■ 12V DC Power ■ Transducer Cable ■ Bluetooth® Signal

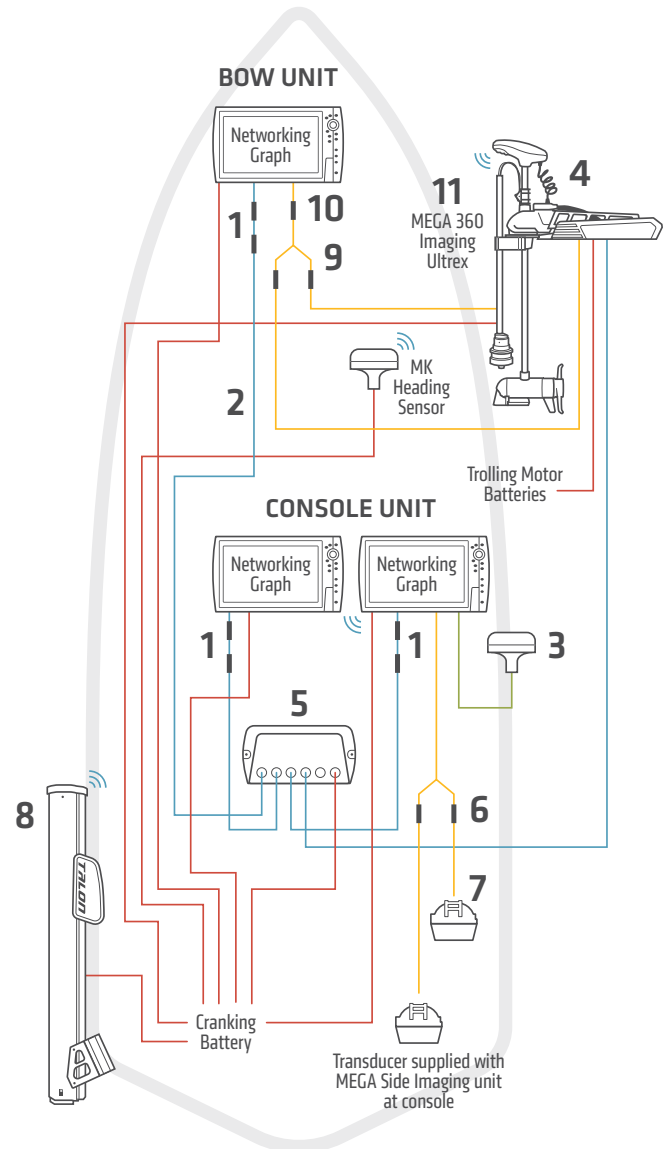


FRESHWATER INSTALLATION



» Minn Kota trolling motor with Adv GPS Navigation and built-in MEGA Imaging, (1) bow-mounted Humminbird unit, (2) console-mounted Humminbird units, MEGA 360 Imaging – Ultrex, Minn Kota Shallow Water Anchor, with heading sensor GPS puck and high-speed transducer with y-cable.

HELIX SERIES	APEX/SOLIX SERIES
1 Ethernet Adapter Cable (Need 3) AS EC QDE #720074-1	Ethernet Adapter Cable N/A
2 Ethernet Cable (Need 3) AS EC 5E (5') #720073-6 AS EC 10E (10') #720073-2 AS EC 15E (15') #720073-5 AS EC 20E (20') #720073-3 AS EC 30E (30') #720073-4	Ethernet Cable (Need 3) AS EC 5E (5') #720073-6 AS EC 10E (10') #720073-2 AS EC 15E (15') #720073-5 AS EC 20E (20') #720073-3 AS EC 30E (30') #720073-4
3 GPS + Heading Sensor AS GPS HS #408400-1	GPS + Heading Sensor APEX: AS GPS HS #408400-1 AS GPS #720113-1 SOLIX: AS GPS HS #408400-1 AS GPS NMEA #720080-1
4 Minn Kota Trolling Motor with Adv GPS Navigation and built-in MEGA Imaging or Dual Spectrum CHIRP*	Minn Kota Trolling Motor with Adv GPS Navigation and built-in MEGA Imaging or Dual Spectrum CHIRP*
5 5-Port Ethernet Switch AS ETH SPGL #411850-1	5-Port Ethernet Switch AS ETH SPGL #411850-1 Note: Networks exclusively with APEX units do not require 5-Port Ethernet Switch
6 Transducer Splitter Cable 9 M SIDB Y #720101-1	Transducer Splitter Cable 14 M ID SIDB Y #720111-1
7 High Speed Transducer (fiberglass hull) XP 9 HW T #710276-1 High Speed Transducer (aluminum hull) XNT 9 HW T #710274-1	High Speed Transducer (fiberglass hull) XP 14 HW T #710287-1 High Speed Transducer (aluminum hull) XNT 14 HW T #710285-1
8 Minn Kota Talon/Raptor with Bluetooth Talon SWA	Minn Kota Talon/Raptor with Bluetooth Talon SWA
9 MEGA 360 and MDI/2D Y-Cable 14 M360 2DDI Y #720108-1	MEGA 360 and MDI/2D Y-Cable 14 M360 2DDI Y #720108-1
10 Adapter Cable for MEGA 360 Y-Cable AD HELIX M360 (included with MEGA 360) #720109-1	Adapter Cable for MEGA 360 Y-Cable N/A
11 MEGA 360 Imaging MEGA 360 Imaging – Ultrex #411250-1	MEGA 360 Imaging MEGA 360 Imaging – Ultrex #411250-1



*One (1) AS ECX 30E ethernet extension cable included with Adv GPS Navigation trolling motor.
The accessories and part numbers listed above are valid as of November 2023 Installations shown are for HELIX G3N/G4N and APEX/SOLIX G2/G3 networking models and Minn Kota trolling motors with Adv GPS Navigation.

- NMEA 0183
- Ethernet
- 12V DC Power
- Transducer Cable
- Bluetooth® Signal

SALTWATER INSTALLATION



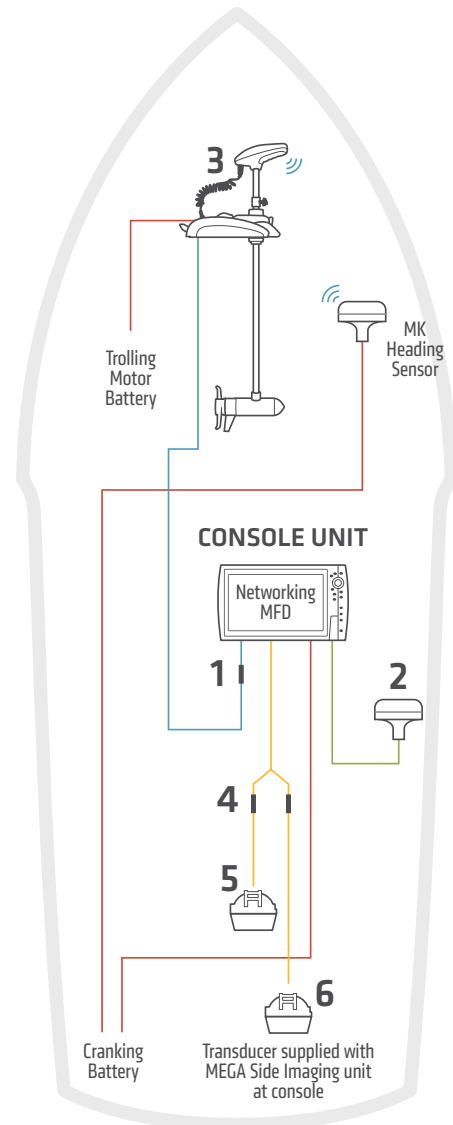
» Minn Kota Riptide trolling motor with Adv GPS Navigation and (1) console-mounted Humminbird unit, with heading sensor GPS puck and high-speed transducer with y-cable.

HELIX SERIES	APEX/SOLIX SERIES
1 Ethernet Adapter Cable AS EC QDE #720074-1	Ethernet Adapter Cable N/A
2 GPS + Heading Sensor AS GPS HS #408400-1	GPS + Heading Sensor APEX: AS GPS HS #408400-1 AS GPS #720113-1 SOLIX: AS GPS HS #408400-1 AS GPS NMEA #720080-1
3 Minn Kota Trolling Motor with Adv GPS Navigation*	Minn Kota Trolling Motor with Adv GPS Navigation*
4 Transducer Splitter Cable 9 M SIDB Y #720101-1	Transducer Splitter Cable 14 M ID SIDB Y #720111-1
5 High Speed Transducer (fiberglass hull) XP 9 HW T #710276-1 High Speed Transducer (aluminum hull) XNT 9 HW T #710274-1	High Speed Transducer (fiberglass hull) XP 14 HW T #710287-1 High Speed Transducer (aluminum hull) XNT 14 HW T #710285-1 Optional Transducer Airmar CHIRP Transducer
6 Optional Transducer (thru-hull) SSTH 14 HW MSI+ T #710302-1 MKR-MI-1 HB #1852088	Optional Transducer (thru-hull) SSTH 14 HW MSI+ T #710302-1

*One (1) AS EC 30E 30 ethernet cable included with trolling motor.

The accessories and part numbers listed above are valid as of November 2023. Installations shown are for HELIX G3N/G4N and APEX/SOLIX G2/G3 networking models and Minn Kota trolling motors with Adv GPS Navigation.

■ NMEA 0183
 ■ Ethernet
 ■ 12V DC Power
 ■ Transducer Cable
 📶 Bluetooth® Signal



SALTWATER INSTALLATION



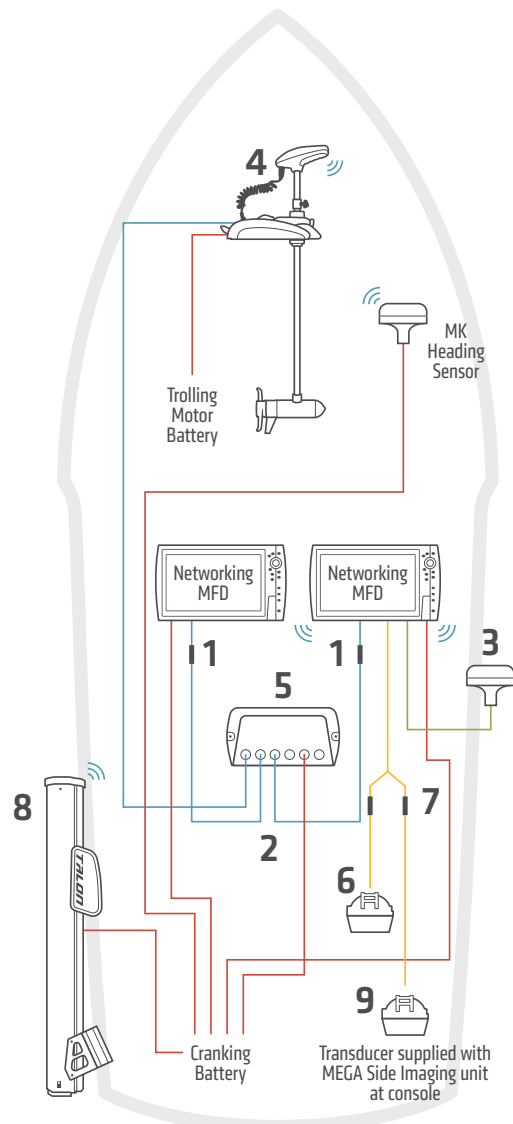
» Minn Kota Riptide trolling motor with Adv GPS Navigation and (2) console-mounted Humminbird units, with heading sensor GPS puck and high-speed transducer with y-cable.

HELIX SERIES	APEX/SOLIX SERIES
1 Ethernet Adapter Cable (Need 2) AS EC QDE #720074-1	Ethernet Adapter Cable N/A
2 Ethernet Cable (Need 2) AS EC 5E (5') #720073-6 AS EC 10E (10') #720073-2 AS EC 15E (15') #720073-5 AS EC 20E (20') #720073-3 AS EC 30E (30') #720073-4 AS ECX 30E (30') #760025-1	Ethernet Cable (Need 2) AS EC 5E (5') #720073-6 AS EC 10E (10') #720073-2 AS EC 15E (15') #720073-5 AS EC 20E (20') #720073-3 AS EC 30E (30') #720073-4 AS ECX 30E (30') #760025-1
3 GPS + Heading Sensor AS GPS HS #408400-1	GPS + Heading Sensor APEX: AS GPS HS #408400-1 AS GPS #720113-1 SOLIX: AS GPS HS #408400-1 AS GPS NMEA #720080-1
4 Minn Kota Trolling Motor with Adv GPS Navigation*	Minn Kota Trolling Motor with Adv GPS Navigation*
5 5-Port Ethernet Switch AS ETH SPGL #411850-1	5-Port Ethernet Switch AS ETH SPGL #411850-1 Note: Networks exclusively with APEX units do not require 5-Port Ethernet Switch
6 High Speed Transducer (fiberglass hull) XP 9 HW T #710276-1 High Speed Transducer (aluminum hull) XNT 9 HW T #710274-1	High Speed Transducer (fiberglass hull) XP 14 HW T #710287-1 High Speed Transducer (aluminum hull) XNT 14 HW T #710285-1 Optional Transducer Airmar CHIRP Transducer
7 Transducer Splitter Cable 9 M SIDB Y #720101-1	Transducer Splitter Cable 14 M ID SIDB Y #720111-1
8 Minn Kota Talon/Raptor with Bluetooth Talon SWA	Minn Kota Talon/Raptor with Bluetooth Talon SWA
9 Optional Transducer (thru-hull) SSTH 14 HW MSI+ T #710302-1 MKR-MI-1 HB #1852088	Optional Transducer (thru-hull) SSTH 14 HW MSI+ T #710302-1

*One (1) AS EC 30E 30 ethernet cable included with trolling motor.

The accessories and part numbers listed above are valid as of November 2023. Installations shown are for HELIX G3N/G4N and APEX/SOLIX G2/G3 networking models and Minn Kota trolling motors with Adv GPS Navigation.

- NMEA 0183
- Ethernet
- 12V DC Power
- Transducer Cable
- 📶 Bluetooth® Signal

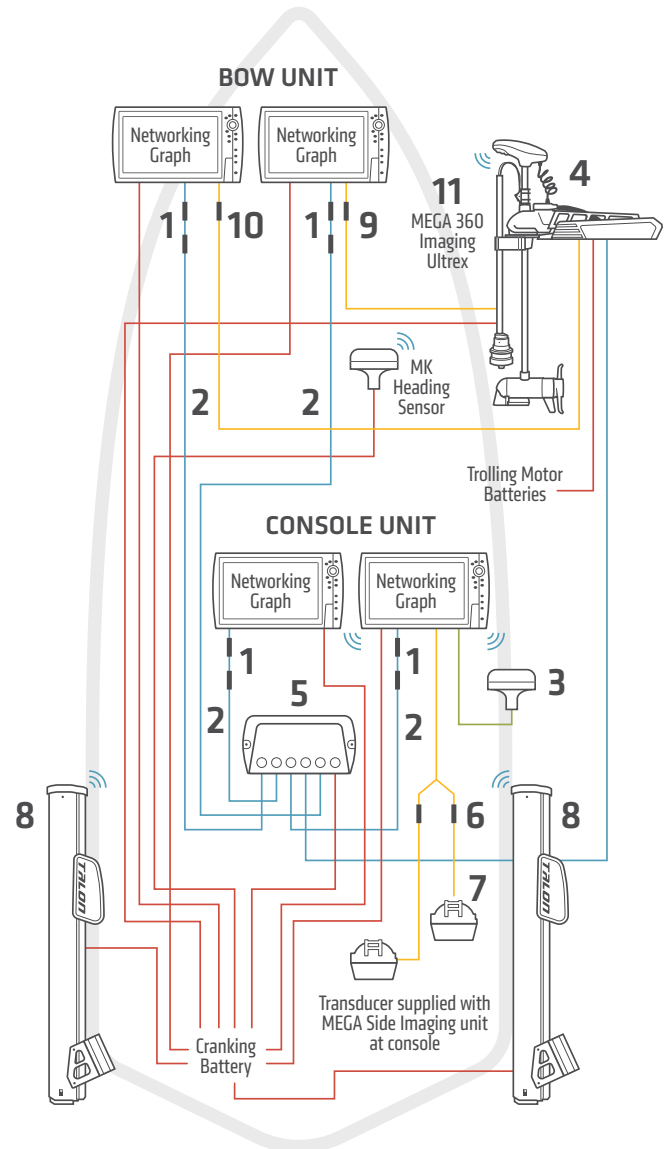


FRESHWATER INSTALLATION



» Minn Kota Ultrex trolling motor with Adv GPS Navigation and built-in MEGA Imaging, (2) bow-mounted Humminbird units, MEGA 360 Imaging – Ultrex, (2) console-mounted Humminbird units, Minn Kota Shallow Water Anchor, with heading sensor GPS puck and high-speed transducer with y-cable.

HELIX SERIES	APEX/SOLIX SERIES
1 Ethernet Adapter Cable (Need 4) AS EC QDE #720074-1	Ethernet Adapter Cable N/A
2 Ethernet Cable (Need 4) AS EC 5E (5') #720073-6 AS EC 10E (10') #720073-2 AS EC 15E (15') #720073-5 AS EC 20E (20') #720073-3 AS EC 30E (30') #720073-4	Ethernet Cable (Need 4) AS EC 5E (5') #720073-6 AS EC 10E (10') #720073-2 AS EC 15E (15') #720073-5 AS EC 20E (20') #720073-3 AS EC 30E (30') #720073-4
3 GPS + Heading Sensor AS GPS HS #408400-1	GPS + Heading Sensor APEX: AS GPS HS #408400-1 AS GPS #720113-1 SOLIX: AS GPS HS #408400-1 AS GPS NMEA #720080-1
4 Minn Kota Trolling Motor with Adv GPS Navigation and built-in MEGA Imaging or Dual Spectrum CHIRP*	Minn Kota Trolling Motor with Adv GPS Navigation and built-in MEGA Imaging or Dual Spectrum CHIRP*
5 5-Port Ethernet Switch AS ETH 5PGL #411850-1	5-Port Ethernet Switch AS ETH 5PGL #411850-1 Note: Networks exclusively with APEX units do not require 5-Port Ethernet Switch
6 Transducer Splitter Cable 9 M SIDB Y #720101-1	Transducer Splitter Cable 14 M ID SIDB Y item # 720111-1
7 High Speed Transducer (fiberglass hull) XP 9 HW T #710276-1 High Speed Transducer (aluminum hull) XNT 9 HW T #710274-1	High Speed Transducer (fiberglass hull) XP 14 HW T #710287-1 High Speed Transducer (aluminum hull) XNT 14 HW T #710285-1
8 Minn Kota Talon/Raptor with Bluetooth (Need 2) Talon SWA	Minn Kota Talon/Raptor with Bluetooth (Need 2) Talon SWA
9 MEGA 360 Adapter Cable AD HELIX M360 (included with MEGA 360) #720109-1	MEGA 360 Adapter Cable N/A
10 Adapter Cable for Minn Kota built-in MEGA Imaging: MKR-MI-1 (HELIX 8-15 MEGA Imaging) #1852088 MKR-MDI-2 (HELIX 7 MEGA Imaging) #1852086** Adapter Cable for Minn Kota built-in Dual Spectrum CHIRP: MKR-MI-1 (All HELIX with CHIRP) #1852088	Adapter Cable for Minn Kota built-in MEGA Imaging: N/A
11 MEGA 360 Imaging MEGA 360 Imaging – Ultrex #411250-1	MEGA 360 Imaging MEGA 360 Imaging – Ultrex #411250-1



*One (1) AS ECX 30E ethernet extension cable included with Adv GPS Navigation trolling motor.

**Compatible with Minn Kota Built-in MEGA DI only

The accessories and part numbers listed above are valid as of November 2023. Installations shown are for HELIX G3N/G4N and APEX/SOLIX G2/G3 networking models and Minn Kota trolling motors with Adv GPS Navigation.

- NMEA 0183
- Ethernet
- 12V DC Power
- Transducer Cable
- Bluetooth® Signal

FRESHWATER INSTALLATION



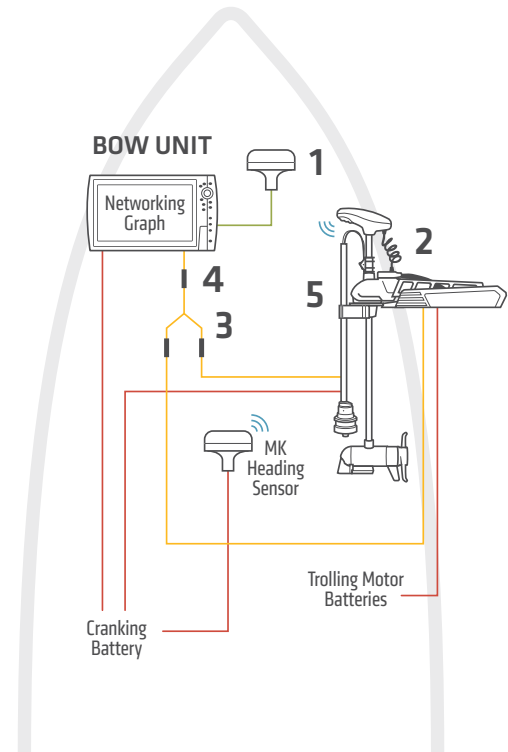
» Adding a MEGA 360 Imaging – Ultrex model to a boat with (1) bow-mounted Humminbird unit and Minn Kota motor with built-in MEGA Imaging.

HELIX SERIES	APEX/SOLIX SERIES
1 GPS + Heading Sensor AS GPS HS #408400-1	GPS + Heading Sensor APEX: AS GPS HS #408400-1 AS GPS #720113-1 SOLIX: AS GPS HS #408400-1 AS GPS NMEA #720080-1
2 Minn Kota Trolling Motor with Adv GPS Navigation and built-in MEGA Imaging or Dual Spectrum CHIRP*	Minn Kota Trolling Motor with Adv GPS Navigation and built-in MEGA Imaging or Dual Spectrum CHIRP*
3 MEGA 360 and MDI/2D Y-Cable 14 M360 2DDI Y #720108-1	MEGA 360 and MDI/2D Y-Cable 14 M360 2DDI Y #720108-1
4 MEGA 360 Adapter Cable AD HELIX M360 (included with MEGA 360) #720109-1	MEGA 360 Adapter Cable N/A
5 MEGA 360 Imaging MEGA 360 Imaging – Ultrex #411250-1	MEGA 360 Imaging MEGA 360 Imaging – Ultrex #411250-1

*One (1) AS ECX 30E ethernet extension cable included with Adv GPS Navigation trolling motor.

The accessories and part numbers listed above are valid as of November 2023. Installations shown are for HELIX G3N/G4N and APEX/SOLIX G2/G3 networking models and Minn Kota trolling motors with Adv GPS Navigation.

■ NMEA 0183
 ■ Ethernet
 ■ 12V DC Power
 ■ Transducer Cable
 📶 Bluetooth® Signal

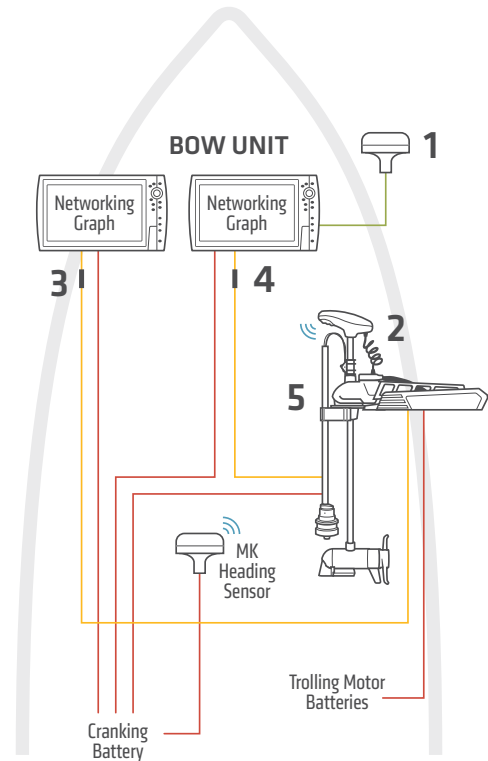


FRESHWATER INSTALLATION



» Adding a MEGA 360 Imaging – Ultrex model to a boat with (2) bow-mounted Humminbird units and Minn Kota motor with built-in MEGA Imaging.

HELIX SERIES	APEX/SOLIX SERIES
1 GPS + Heading Sensor AS GPS HS #408400-1	GPS + Heading Sensor APEX: AS GPS HS #408400-1 AS GPS #720113-1 SOLIX: AS GPS HS #408400-1 AS GPS NMEA #720080-1
2 Minn Kota Trolling Motor with Adv GPS Navigation and built-in MEGA Imaging or Dual Spectrum CHIRP*	Minn Kota Trolling Motor with Adv GPS Navigation and built-in MEGA Imaging or Dual Spectrum CHIRP*
3 Adapter Cable for Minn Kota built-in MEGA Imaging: MKR-MI-1 (HELIX 8-15 MEGA Imaging) #1852088 MKR-MDI-2 (HELIX 7 MEGA Imaging) #1852086** Adapter Cable for Minn Kota built-in Dual Spectrum CHIRP: MKR-MI-1 (All HELIX with CHIRP) #1852088	Adapter Cable for Minn Kota built-in MEGA Imaging: N/A
4 MEGA 360 Adapter Cable AD HELIX M360 (included with MEGA 360) #720109-1	MEGA 360 Adapter Cable N/A
5 MEGA 360 Imaging MEGA 360 Imaging – Ultrex #411250-1	MEGA 360 Imaging MEGA 360 Imaging – Ultrex #411250-1



*One (1) AS ECX 30E ethernet extension cable included with Adv GPS Navigation trolling motor.

**Compatible with Minn Kota Built-in MEGA DI only

The accessories and part numbers listed above are valid as of November 2023. Installations shown are for HELIX G3N/G4N and APEX/SOLIX G2/G3 networking models and Minn Kota trolling motors with Adv GPS Navigation.

- NMEA 0183
- Ethernet
- 12V DC Power
- Transducer Cable
- Bluetooth® Signal

FRESHWATER INSTALLATION

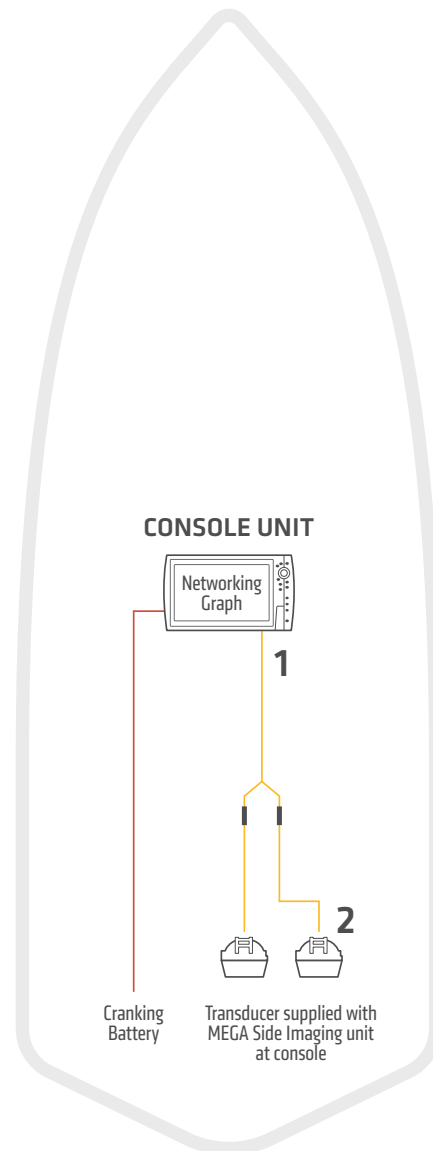


» (1) Console-mounted Humminbird unit with high-speed transducer and y-cable.

	HELIX SERIES	APEX/SOLIX SERIES
1	Transducer Splitter Cable 9 M SIDB Y #720101-1	Transducer Splitter Cable 14 M ID SIDB Y #720111-1
2	High Speed Transducer (fiberglass hull) XP 9 HWT #710276-1 High Speed Transducer (aluminum hull) XNT 9 HWT #710274-1	High Speed Transducer (fiberglass hull) XP 14 HWT #710287-1 High Speed Transducer (aluminum hull) XNT 14 HWT #710285-1

The accessories and part numbers listed above are valid as of November 2023. Installations shown are for HELIX G3N/G4N and APEX/SOLIX G2/G3 networking models and Minn Kota trolling motors with Adv GPS Navigation.

■ NMEA 0183 ■ Ethernet ■ 12V DC Power ■ Transducer Cable ■ Bluetooth® Signal

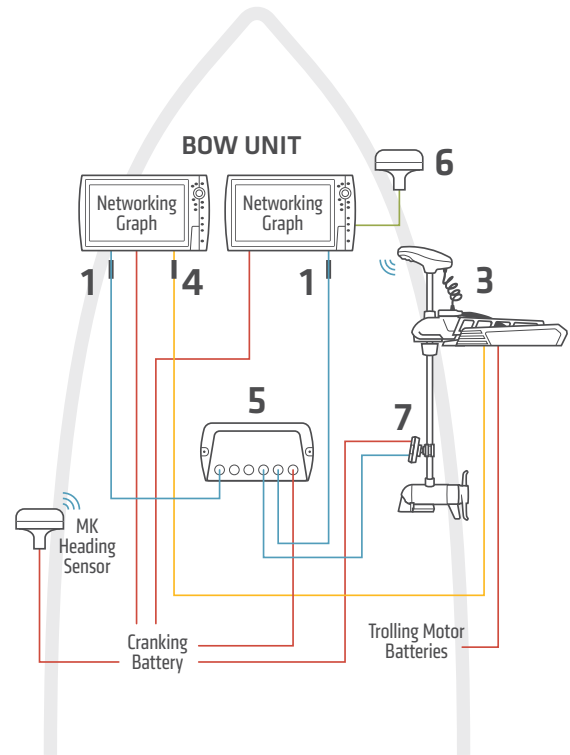


FRESHWATER INSTALLATION



» Adding a MEGA Live Imaging transducer to a boat with (2) bow-mounted Humminbird units and a Minn Kota motor with built-in MEGA Imaging.

HELIX SERIES	APEX/SOLIX SERIES
1 Ethernet Adapter Cable (Need 2) AS EC QDE #720074-1	Ethernet Adapter Cable N/A
2 Ethernet Cable (Need 2) AS EC 5E (5') #720073-6 AS EC 10E (10') #720073-2 AS EC 15E (15') #720073-5 AS EC 20E (20') #720073-3 AS EC 30E (30') #720073-4	Ethernet Cable (Need 2) AS EC 5E (5') #720073-6 AS EC 10E (10') #720073-2 AS EC 15E (15') #720073-5 AS EC 20E (20') #720073-3 AS EC 30E (30') #720073-4
3 Minn Kota Trolling Motor with Adv GPS Navigation and built-in MEGA Imaging or Dual Spectrum CHIRP*	Minn Kota Trolling Motor with Adv GPS Navigation and built-in MEGA Imaging or Dual Spectrum CHIRP*
4 Adapter Cable for Minn Kota built-in MEGA Imaging: MKR-MI-1 (HELIX 8-15 MEGA Imaging) #1852088 MKR-MDI-2 (HELIX 7 MEGA Imaging) #1852086** Adapter Cable for Minn Kota built-in Dual Spectrum CHIRP: MKR-MI-1 (All HELIX with CHIRP) #1852088	Adapter Cable for Minn Kota built-in MEGA Imaging: N/A
5 5-Port Ethernet Switch AS ETH 5PGL #411850-1	5-Port Ethernet Switch AS ETH 5PGL #411850-1 Note: Networks exclusively with APEX units do not require 5-Port Ethernet Switch
6 GPS + Heading Sensor AS GPS HS #408400-1	GPS + Heading Sensor APEX: AS GPS HS #408400-1 AS GPS #720113-1 SOLIX: AS GPS HS #408400-1 AS GPS NMEA #720080-1
7 MEGA Live Imaging MEGA Live Imaging Transducer #710304-1	MEGA Live Imaging MEGA Live Imaging Transducer #710304-1



*One (1) AS ECX 30E ethernet extension cable included with Adv GPS Navigation trolling motor.

**Compatible with Minn Kota Built-in MEGA DI only

The accessories and part numbers listed above are valid as of November 2023. Installations shown are for HELIX G3N/G4N and APEX/SOLIX G2/G3 networking models and Minn Kota trolling motors with Adv GPS Navigation.

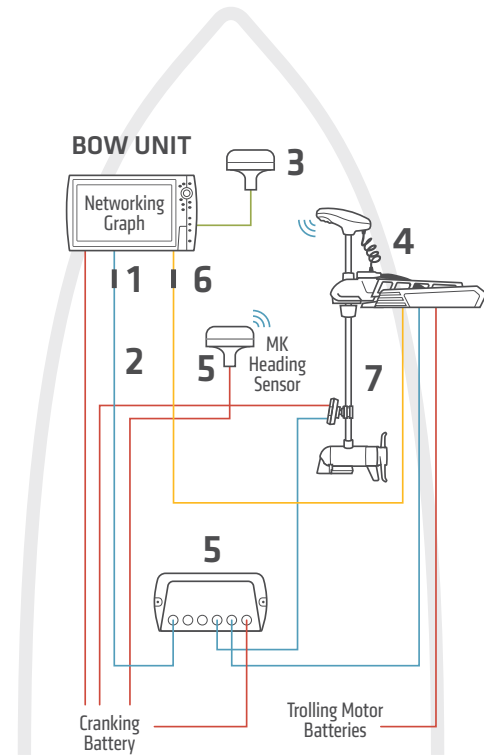
■ NMEA 0183
 ■ Ethernet
 ■ 12V DC Power
 ■ Transducer Cable
 📶 Bluetooth® Signal

FRESHWATER INSTALLATION



» Adding a MEGA Live Imaging transducer to a boat with (1) bow-mounted Humminbird unit and a Minn Kota motor with built-in MEGA Imaging.

HELIX SERIES	APEX/SOLIX SERIES
1 Ethernet Adapter Cable AS EC QDE #720074-1	Ethernet Adapter Cable N/A
2 Ethernet Cable AS EC 5E (5') #720073-6 AS EC 10E (10') #720073-2 AS EC 15E (15') #720073-5 AS EC 20E (20') #720073-3 AS EC 30E (30') #720073-4	Ethernet Cable AS EC 5E (5') #720073-6 AS EC 10E (10') #720073-2 AS EC 15E (15') #720073-5 AS EC 20E (20') #720073-3 AS EC 30E (30') #720073-4
3 GPS + Heading Sensor AS GPS HS #408400-1	GPS + Heading Sensor AS GPS HS #408400-1 AS GPS NMEA #720080-1
4 Minn Kota Trolling Motor with Adv GPS Navigation and built-in MEGA Imaging or Dual Spectrum CHIRP*	Minn Kota Trolling Motor with Adv GPS Navigation and built-in MEGA Imaging or Dual Spectrum CHIRP*
5 5-Port Ethernet Switch AS ETH SPGL #411850-1	5-Port Ethernet Switch AS ETH SPGL #411850-1 Note: Networks exclusively with APEX units do not require 5-Port Ethernet Switch
6 Adapter Cable for Minn Kota built-in MEGA Imaging: MKR-MI-1 (HELIX 8-15 MEGA Imaging) #1852088 MKR-MDI-2 (HELIX 7 MEGA Imaging) #1852086** Adapter Cable for Minn Kota built-in Dual Spectrum CHIRP: MKR-MI-1 (All HELIX with CHIRP) #1852088	Adapter Cable for Minn Kota built-in MEGA Imaging: N/A
7 MEGA Live Imaging MEGA Live Imaging Transducer #710304-1	MEGA Live Imaging MEGA Live Imaging Transducer #710304-1



*One (1) AS ECX 30E ethernet extension cable included with Adv GPS Navigation trolling motor.

**Compatible with Minn Kota Built-in MEGA DI only

The accessories and part numbers listed above are valid as of November 2023. Installations shown are for HELIX G3N/G4N and APEX/SOLIX G2/G3 networking models and Minn Kota trolling motors with Adv GPS Navigation.

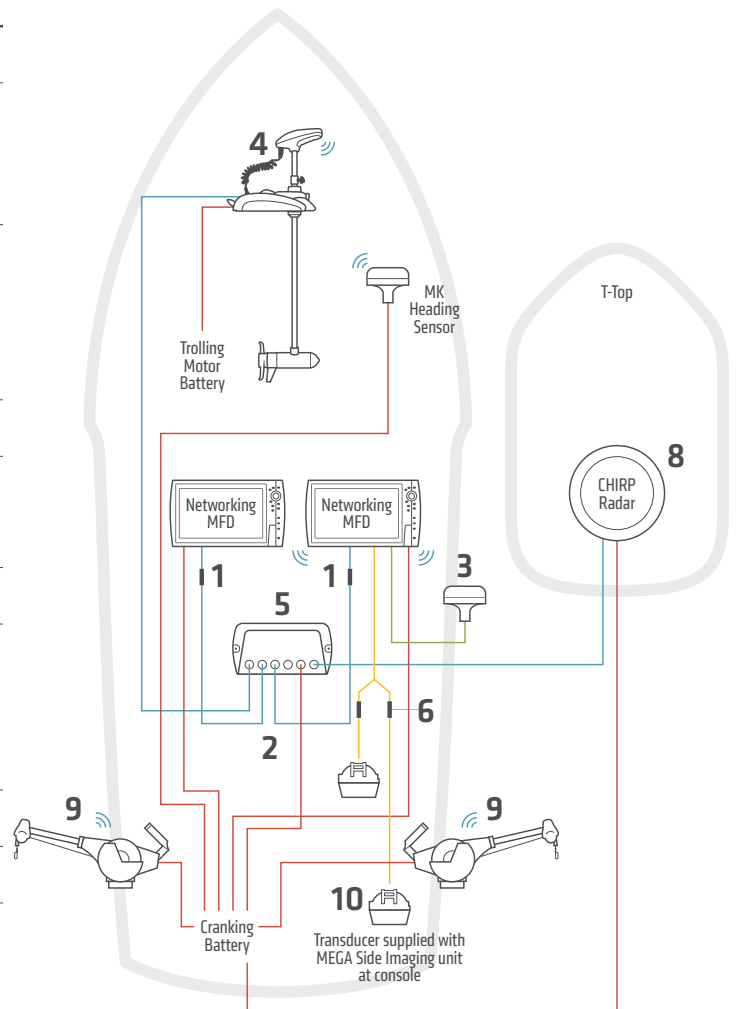


SALTWATER INSTALLATION



» Minn Kota Riptide trolling motor with Adv GPS Navigation, (2) console-mounted Humminbird units, Humminbird CHIRP radar, Cannon Optimum Downriggers, with heading sensor GPS puck and high-speed transducer with y-cable.

HELIX SERIES	APEX/SOLIX SERIES
1 Ethernet Adapter Cable (Need 2) AS EC QDE #720074-1	Ethernet Adapter Cable N/A
2 Ethernet Cable (Need 2) AS EC 5E (5') #720073-6 AS EC 10E (10') #720073-2 AS EC 15E (15') #720073-5 AS EC 20E (20') #720073-3 AS EC 30E (30') #720073-4	Ethernet Cable (Need 2) AS EC 5E (5') #720073-6 AS EC 10E (10') #720073-2 AS EC 15E (15') #720073-5 AS EC 20E (20') #720073-3 AS EC 30E (30') #720073-4
3 GPS + Heading Sensor AS GPS HS #408400-1	GPS + Heading Sensor APEX: AS GPS HS #408400-1 AS GPS #720113-1 SOLIX: AS GPS HS #408400-1 AS GPS NMEA #720080-1
4 Minn Kota Trolling Motor with Adv GPS Navigation*	Minn Kota Trolling Motor with Adv GPS Navigation*
5 5-Port Ethernet Switch AS ETH SPGL #411850-1	5-Port Ethernet Switch AS ETH SPGL #411850-1 Note: Networks exclusively with APEX units do not require 5-Port Ethernet Switch
6 Transducer Splitter Cable 9 M SIDB Y #720101-1	Transducer Splitter Cable 14 M ID SIDB Y #720111-1
6 High Speed Transducer (fiberglass hull) XP 9 HW T #710276-1 High Speed Transducer (aluminum hull) XNT 9 HW T #710274-1	High Speed Transducer (fiberglass hull) XP 14 HW T #710287-1 High Speed Transducer (aluminum hull) XNT 14 HW T #710285-1 Optional Transducer Airmar CHIRP Transducer
8 Radar HB 2124 CHIRP Radar #750013-1	Radar HB 2124 CHIRP Radar #750013-1
9 Optimum TS Downriggers (Need 2) Optimum TS #1902340	Optimum TS Downriggers (Need 2) Optimum TS #1902340
10 Optional Transducer (thru-hull) SSTH 14 HW MSI+ T #710302-1 MKR-MI-1 HB #1852088	Optional Transducer (thru-hull) SSTH 14 HW MSI+ T #710302-1



*One (1) AS EC 30E 30 ethernet cable included with Adv GPS Navigation trolling motor.

The accessories and part numbers listed above are valid as of November 2023. Installations shown are for HELIX G3N/G4N and APEX/SOLIX G2/G3 networking models and Minn Kota trolling motors with Adv GPS Navigation.

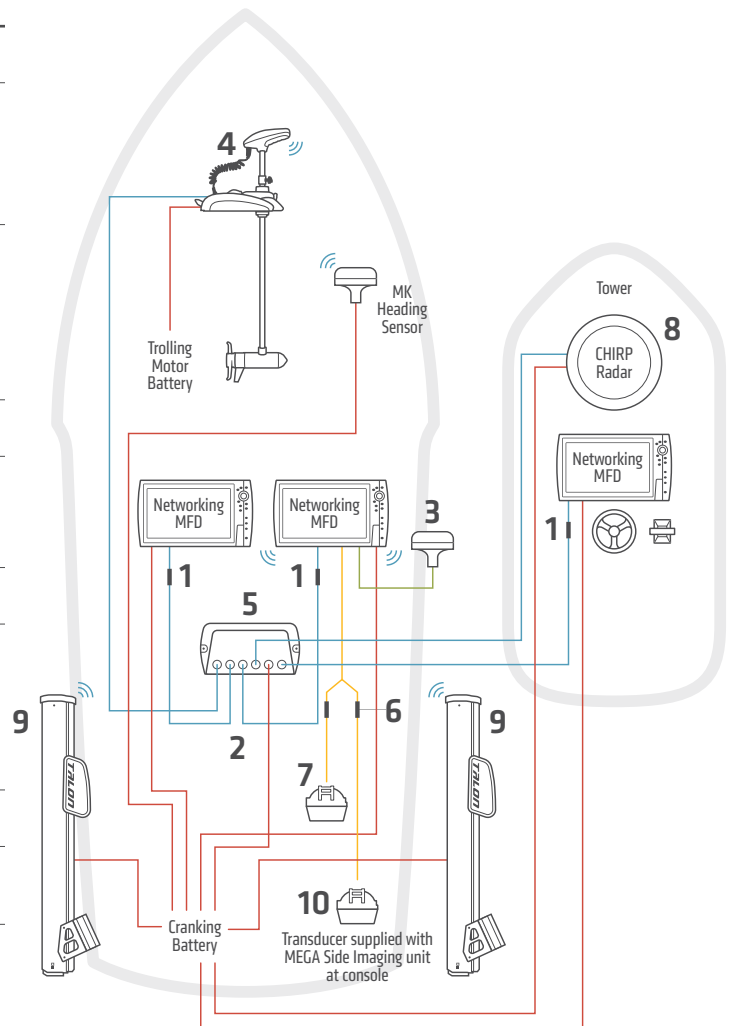
■ NMEA 0183
 ■ Ethernet
 ■ 12V DC Power
 ■ Transducer Cable
 Bluetooth® Signal

SALTWATER INSTALLATION



» Minn Kota Riptide trolling motor with Adv GPS Navigation, (2) console-mounted Humminbird units, (1) Humminbird unit at second station, Humminbird CHIRP radar and Talon Shallow Water Anchors.

HELIX SERIES	APEX/SOLIX SERIES
1 Ethernet Adapter Cable (Need 3) AS EC QDE #720074-1	Ethernet Adapter Cable N/A
2 Ethernet Cable (Need 3) AS EC 5E (5') #720073-6 AS EC 10E (10') #720073-2 AS EC 15E (15') #720073-5 AS EC 20E (20') #720073-3 AS EC 30E (30') #720073-4	Ethernet Cable (Need 3) AS EC 5E (5') #720073-6 AS EC 10E (10') #720073-2 AS EC 15E (15') #720073-5 AS EC 20E (20') #720073-3 AS EC 30E (30') #720073-4
3 GPS + Heading Sensor AS GPS HS #408400-1	GPS + Heading Sensor APEX: AS GPS HS #408400-1 AS GPS #720113-1 SOLIX: AS GPS HS #408400-1 AS GPS NMEA #720080-1
4 Minn Kota Trolling Motor with Adv GPS Navigation*	Minn Kota Trolling Motor with Adv GPS Navigation*
5 5-Port Ethernet Switch AS ETH SPGL #411850-1	5-Port Ethernet Switch AS ETH SPGL #411850-1 Note: Networks exclusively with APEX units do not require 5-Port Ethernet Switch
6 Transducer Splitter Cable 9 M SIDB Y #720101-1	Transducer Splitter Cable 14 M ID SIDB Y #720111-1
6 High Speed Transducer (fiberglass hull) XP 9 HW T #710276-1 High Speed Transducer (aluminum hull) XNT 9 HW T #710274-1	High Speed Transducer (fiberglass hull) XP 14 HW T #710287-1 High Speed Transducer (aluminum hull) XNT 14 HW T #710285-1 Optional Transducer Airmar CHIRP Transducer
8 Radar HB 2124 CHIRP Radar #750013-1	Radar HB 2124 CHIRP Radar #750013-1
9 Minn Kota Talon/Raptor with Bluetooth (Need 2) Talon SWA	Minn Kota Talon/Raptor with Bluetooth (Need 2) Talon SWA
10 Optional Transducer (thru-hull) SSTH 14 HW MSI+ T #710302-1 MKR-MI-1 HB #1852088	Optional Transducer (thru-hull) SSTH 14 HW MSI+ T #710302-1



*One (1) AS EC 30E 30 ethernet cable included with Adv GPS Navigation trolling motor.

The accessories and part numbers listed above are valid as of November 2023. Installations shown are for HELIX G3N/G4N and APEX/SOLIX G2/G3 networking models and Minn Kota trolling motors with Adv GPS Navigation.

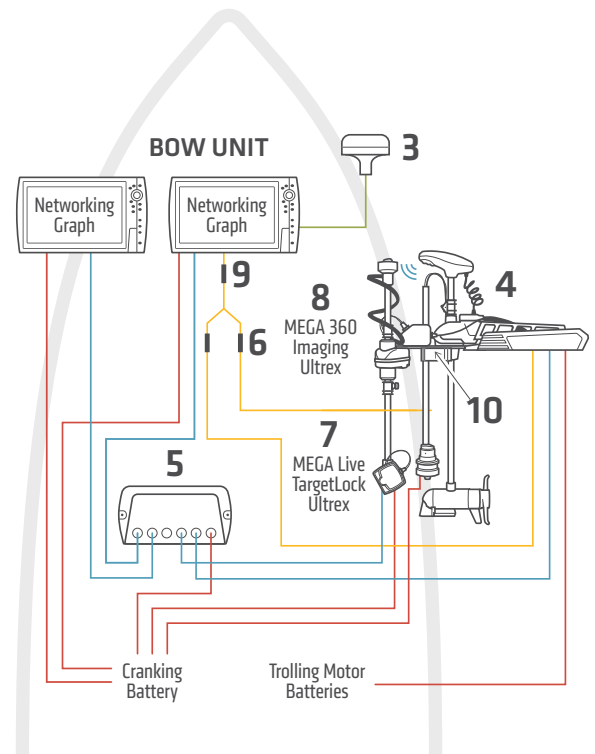
- NMEA 0183
- Ethernet
- 12V DC Power
- Transducer Cable
- Bluetooth® Signal

FRESHWATER INSTALLATION



» Adding MEGA Live TargetLock and MEGA 360 Imaging to a boat with (2) bow-mounted Humminbird units, Minn Kota Trolling Motor with built-in MEGA Imaging.

HELIX SERIES	APEX/SOLIX SERIES
1 Ethernet Adapter Cable AS EC QDE #720074-1	Ethernet Adapter Cable N/A
2 Ethernet Cable AS EC 5E (5') #720073-6 AS EC 10E (10') #720073-2 AS EC 15E (15') #720073-5 AS EC 20E (20') #720073-3 AS EC 30E (30') #720073-4	Ethernet Cable AS EC 5E (5') #720073-6 AS EC 10E (10') #720073-2 AS EC 15E (15') #720073-5 AS EC 20E (20') #720073-3 AS EC 30E (30') #720073-4
3 GPS + Heading Sensor AS GPS HS #408400-1	GPS + Heading Sensor APEX: AS GPS HS #408400-1 AS GPS #720113-1 SOLIX: AS GPS HS #408400-1 AS GPS NMEA #720080-1
4 Minn Kota Trolling Motor with Adv GPS Navigation and built-in MEGA Imaging or Dual Spectrum CHIRP*	Minn Kota Trolling Motor with Adv GPS Navigation and built-in MEGA Imaging or Dual Spectrum CHIRP*
5 5-Port Ethernet Switch AS ETH SPGL #411850-1	5-Port Ethernet Switch AS ETH SPGL #411850-1 Note: Networks exclusively with APEX units do not require 5-Port Ethernet Switch
6 MEGA 360 and MDI/2D Y-Cable 14 M360 2DDI Y #720108-1	MEGA 360 and MDI/2D Y-Cable 14 M360 2DDI Y #720108-1
7 MEGA Live TargetLock MEGA Live TargetLock Ultrex #710308-1 MEGA Live TargetLock Adapter Kit - Ultrex 60" 740222-1 (MEGA Live transducer not included)	MEGA Live TargetLock MEGA Live TargetLock Ultrex #710308-1 MEGA Live TargetLock Adapter Kit - Ultrex 60" 740222-1 (MEGA Live transducer not included)
8 MEGA 360 Imaging MEGA 360 Imaging - Ultrex #411250-1	MEGA 360 Imaging MEGA 360 Imaging - Ultrex #411250-1
9 Adapter Cable for MEGA 360 Y-Cable AD HELIX M360 (included with MEGA 360)	Adapter Cable for MEGA 360 Y-Cable N/A
10 MEGA Live / 360 Dual Mounting Plate MEGA Live TargetLock and MEGA 360 Dual Mount - Ultrex #740211-1	MEGA Live / 360 Dual Mounting Plate MEGA Live TargetLock and MEGA 360 Dual Mount - Ultrex #740211-1



One (1) AS ECX 30E ethernet extension cable included with Adv GPS Navigation trolling motor.

The accessories and part numbers listed above are valid as of December 2023. Installations shown are for HELIX G3N/G4N and APEX/SOLIX G2/G3 networking models and Minn Kota trolling motors with Adv GPS Navigation.

■ NMEA 0183 ■ Ethernet ■ 12V DC Power ■ Transducer Cable ■ Bluetooth® Signal