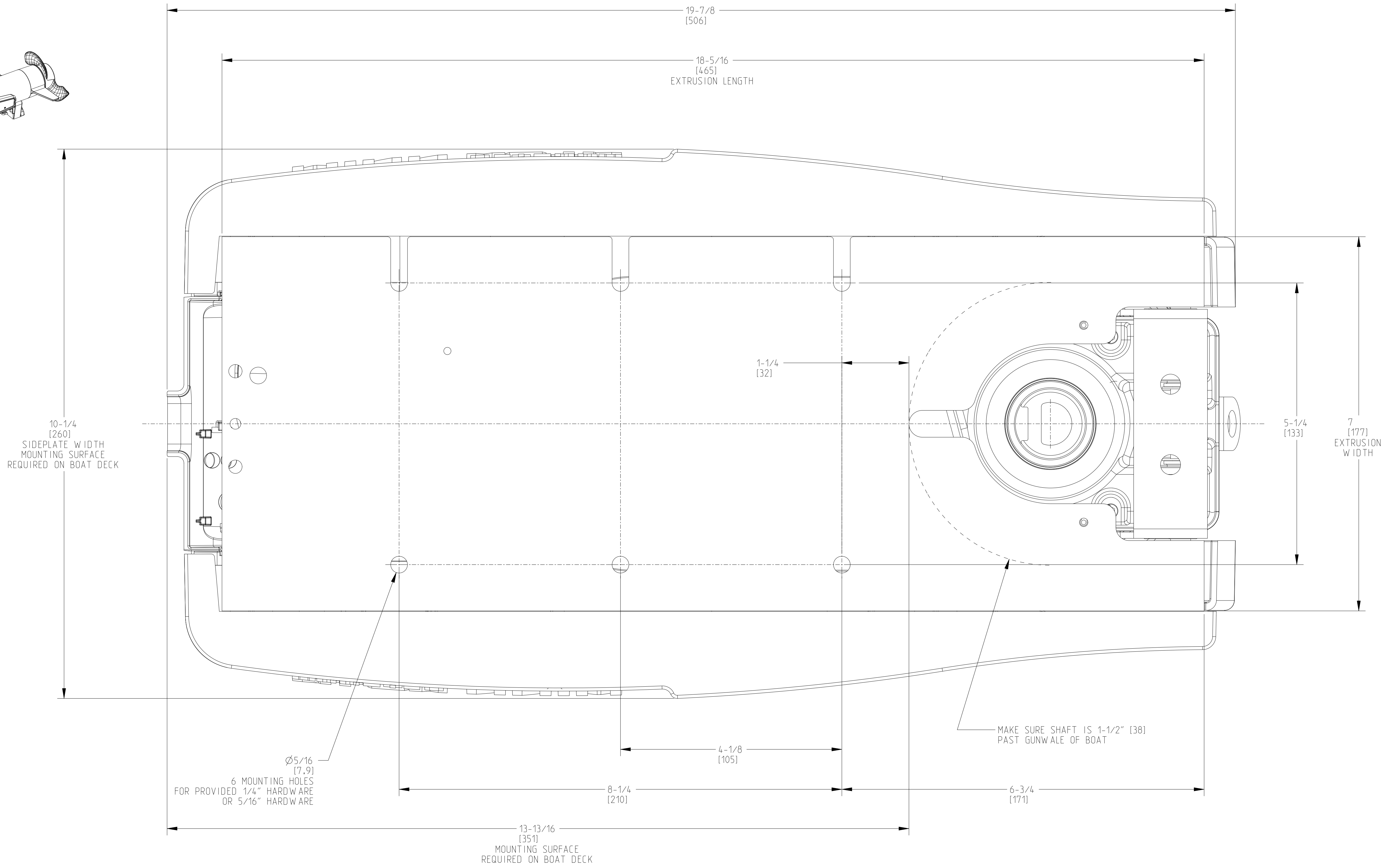
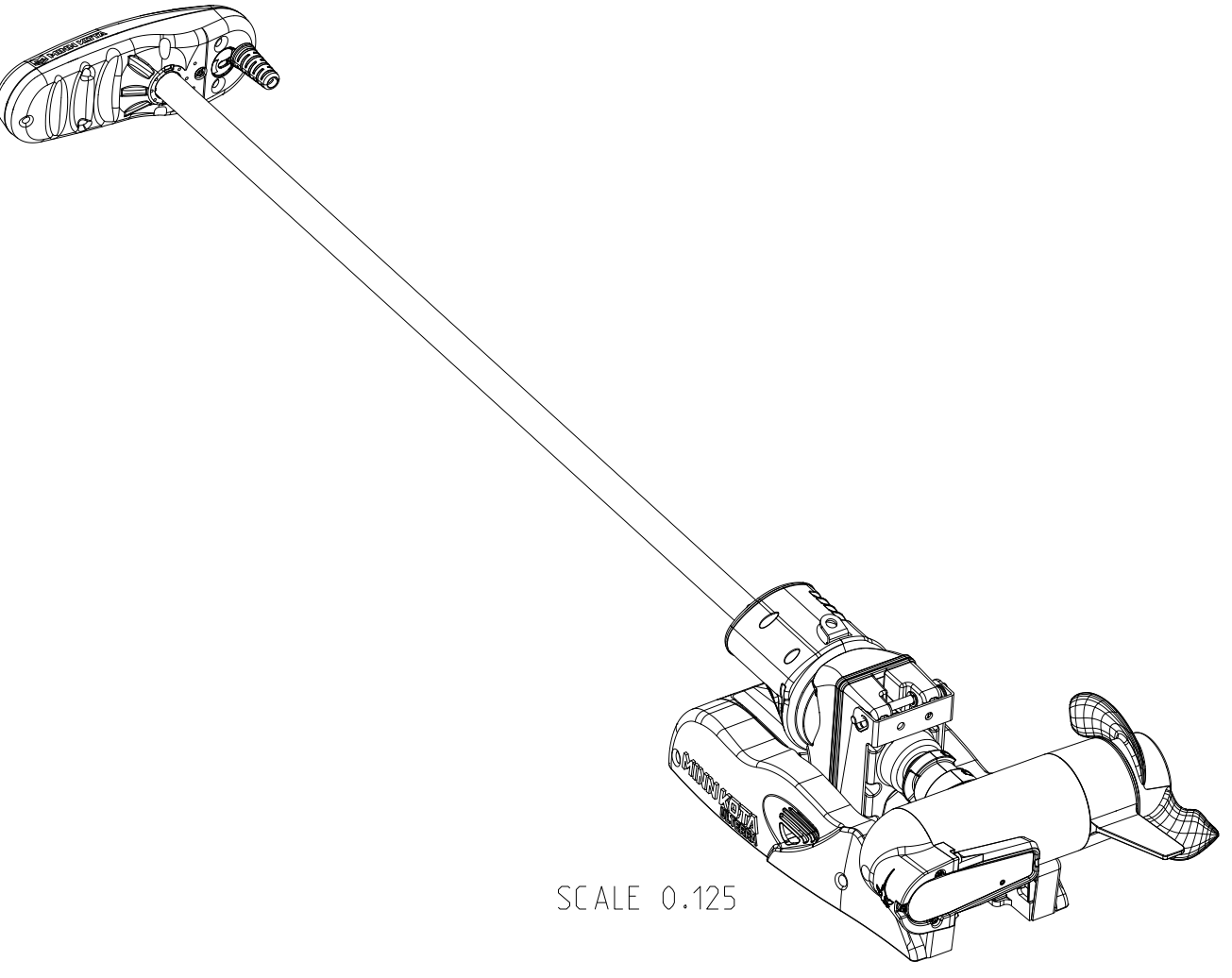


DRAWING NO. CD0018

REV. ECN NO.		REVISIONS DESCRIPTION	BY	DATE
A	44057	RELEASE FOR PRODUCTION	NMB	06JUN2023



SCALE 1.000

CAUTION: ALWAYS WEAR SAFETY GLASSES AND GLOVES. DISCONNECT ALL POWER BEFORE BEGINNING ANY WORK OR MAINTENANCE. JOHNSON OUTDOORS INC. IS NOT RESPONSIBLE FOR ANY DAMAGE DUE TO IMPROPER RIGGING OR INSTALLATION. IF YOU DO NOT HAVE THE SKILLS, EXPERIENCE AND TOOLS TO PERFORM THE FOLLOWING MAINTENANCE AND REPAIRS, WE RECOMMEND YOU SEEK THE HELP OF AN AUTHORIZED SERVICE CENTER. OR CONTACT OUR TECHNICAL SERVICE DEPARTMENT BY DIALING 800-227-6433.

CUSTOMER DRAWING

JOHNSON OUTDOORS
MARINE ELECTRONICS, INC.

DRAWING NAME: ULTERRA 80/112

DRAWING NO.: CD0018

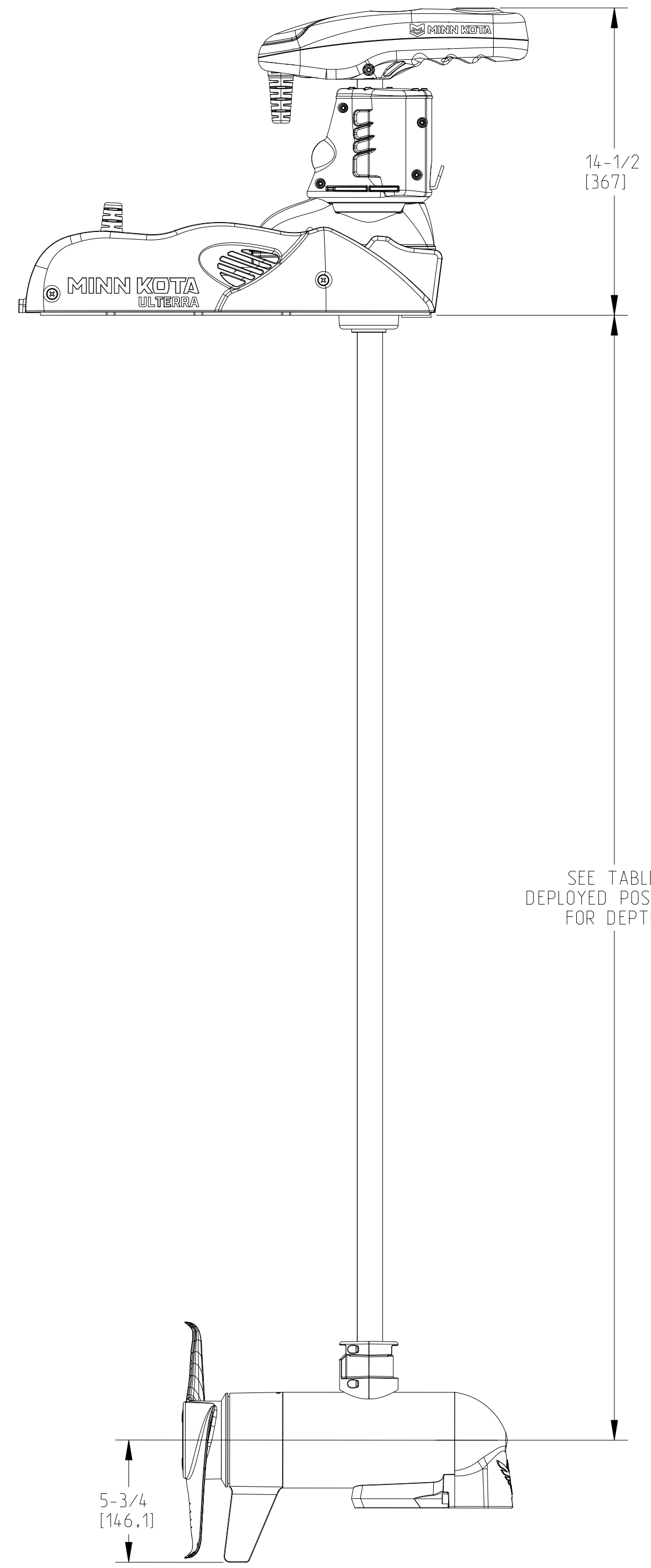
SHEET 1 OF 2

U/A IN. (MM)

REV: A

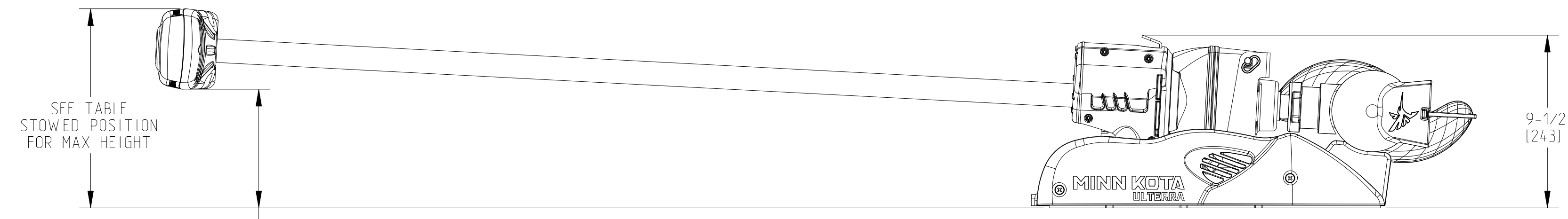
D SIZE

REVISIONS				
REV.	ECN NO.	DESCRIPTION	BY	DATE
		SEE SHEET 1		



SCALE 0.200

DEPLOYED POSITION	
MODEL	DEPTH
60"	53" [1346]
45"	38" [965]



SCALE 0.200



SEE TABLE STOWED POSITION FOR MAX LENGTH

STOWED POSITION			
MODEL	MAX HEIGHT	HEAD CLEARANCE	MAX LENGTH
60"	11" [279]	6-1/2" [165]	73" [1854]
45"	10-1/4" [260]	5-3/4" [146]	58" [1473]

CAUTION: ALWAYS WEAR SAFETY GLASSES AND GLOVES. DISCONNECT ALL POWER BEFORE BEGINNING ANY WORK OR MAINTENANCE. JOHNSON OUTDOORS INC. IS NOT RESPONSIBLE FOR ANY DAMAGE DUE TO IMPROPER RIGGING OR INSTALLATION. IF YOU DO NOT HAVE THE SKILLS, EXPERIENCE AND TOOLS TO PERFORM THE FOLLOWING MAINTENANCE AND REPAIRS, WE RECOMMEND YOU SEEK THE HELP OF AN AUTHORIZED SERVICE CENTER. OR CONTACT OUR TECHNICAL SERVICE DEPARTMENT BY DIALING 800-227-6433.

CUSTOMER DRAWING

JOHNSON OUTDOORS
MARINE ELECTRONICS, INC.

DRAWING NAME: ULTERRA 80/112

DRAWING NO.: CD0018

SHEET 2 OF 2

U/A: IN. (MM)

REV: A