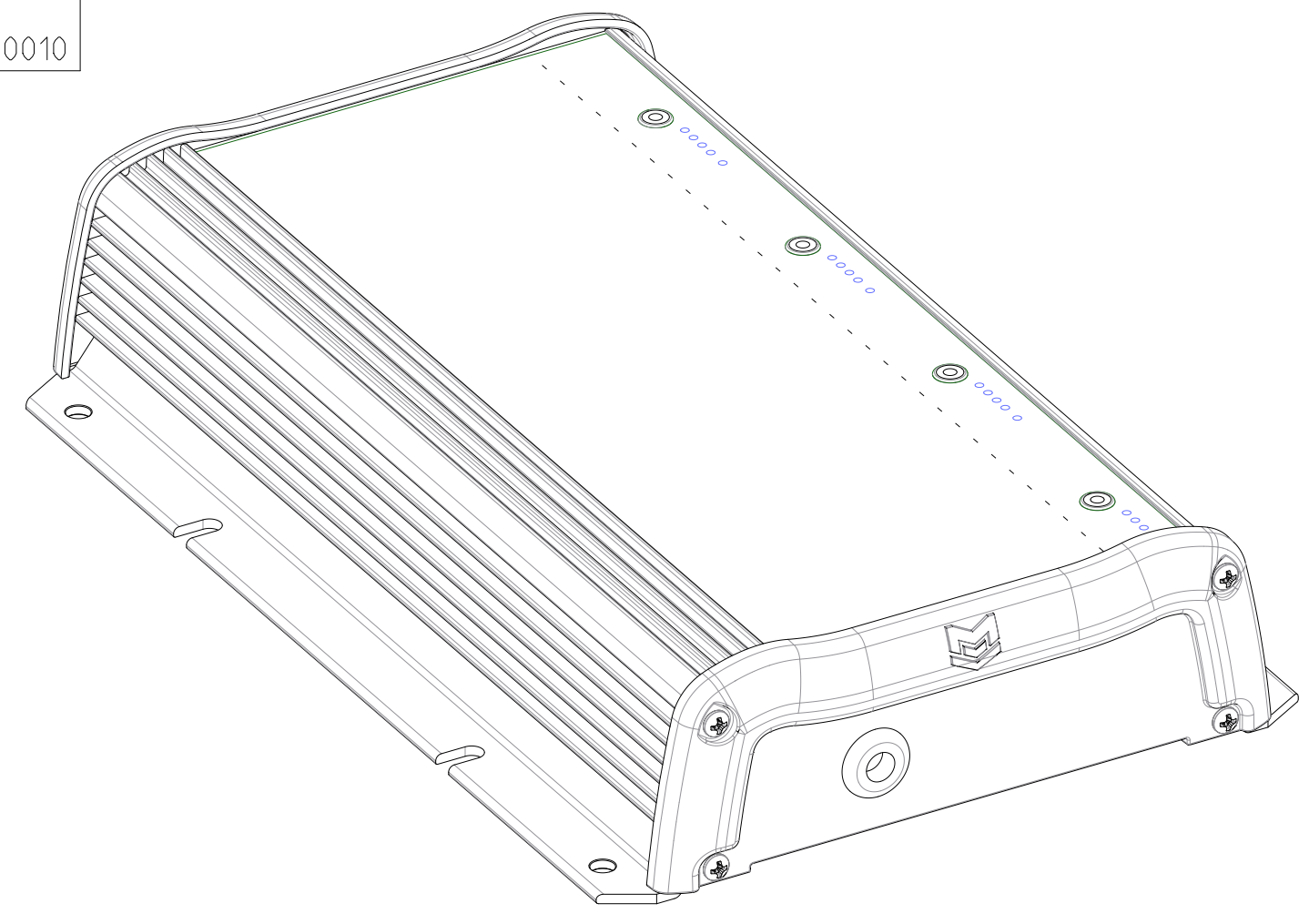
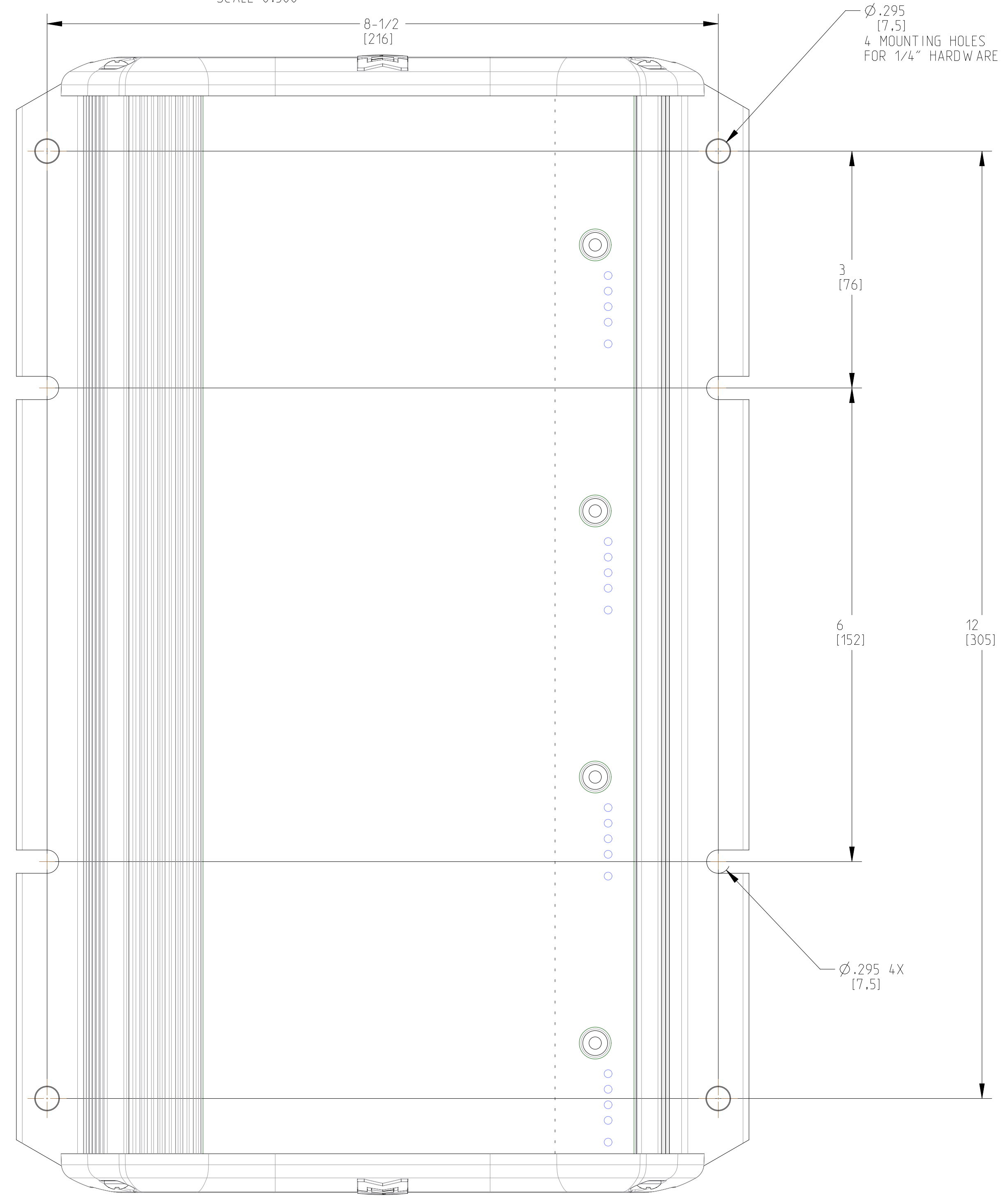


DRAWING NO. CD0010

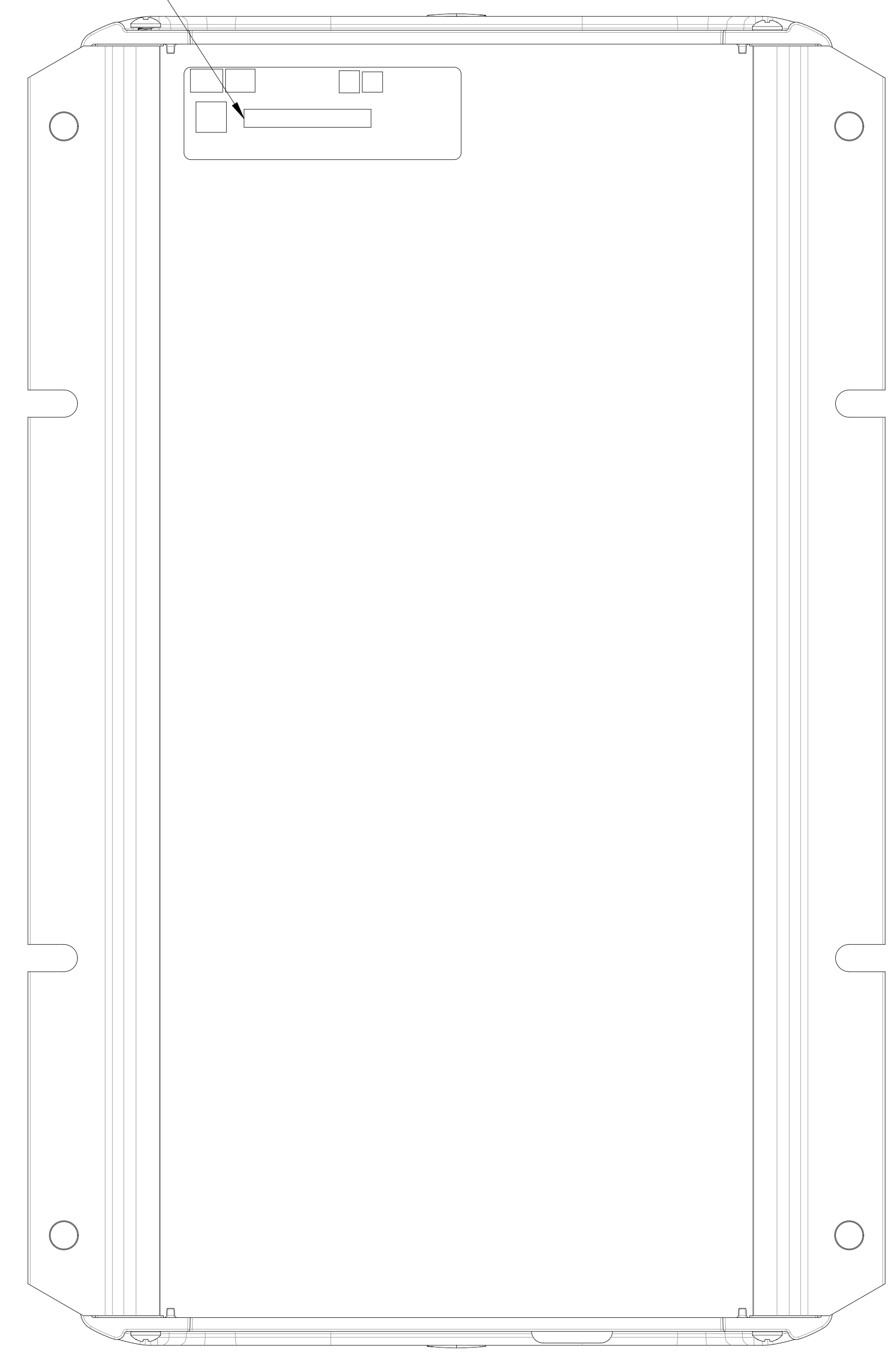
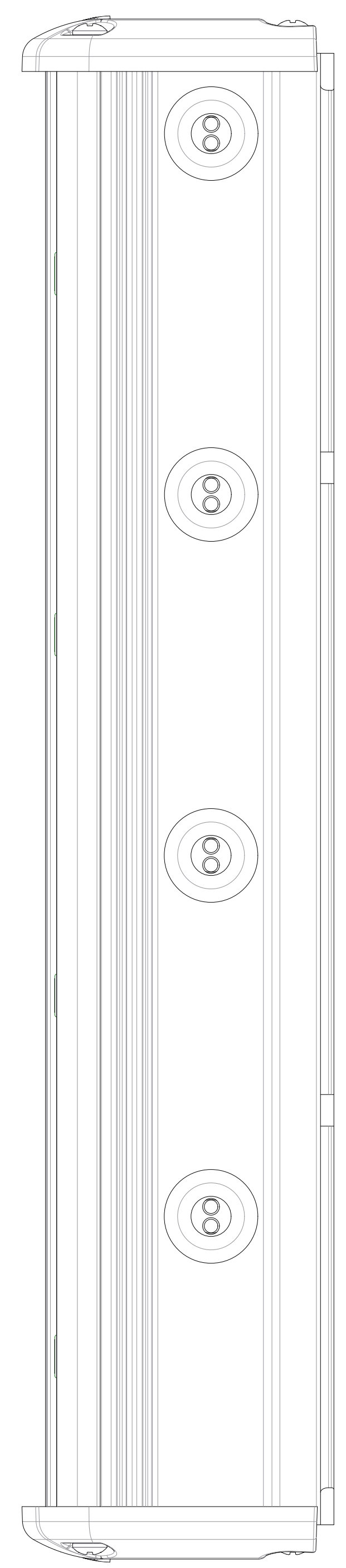
REV. ECN NO.		REVISIONS	BY	DATE
A	42647	RELEASE FOR PRODUCTION	NMB	11JAN2022
B	44387	ADDED SERIAL NUMBER INFORMATION	NMB	10NOV2023



SCALE 0.500



"M" IN SERIAL NUMBER
EX. 23001M00001



CAUTION: ALWAYS WEAR SAFETY GLASSES AND GLOVES. DISCONNECT ALL POWER BEFORE BEGINNING ANY WORK OR MAINTENANCE. JOHNSON OUTDOORS, INC. IS NOT RESPONSIBLE FOR ANY DAMAGE DUE TO IMPROPER RIGGING OR INSTALLATION. IF YOU DO NOT HAVE THE SKILLS, EXPERIENCE AND TOOLS TO PERFORM THE FOLLOWING MAINTENANCE AND REPAIRS, WE RECOMMEND YOU SEEK THE HELP OF AN AUTHORIZED SERVICE CENTER. OR CONTACT OUR TECHNICAL SERVICE DEPARTMENT BY DIALING 800-227-6433.

CUSTOMER DRAWING

JOHNSON OUTDOORS
MARINE ELECTRONICS, INC.

DRAWING NAME: MK460PCL CHARGER

DRAWING NO.: CD0010

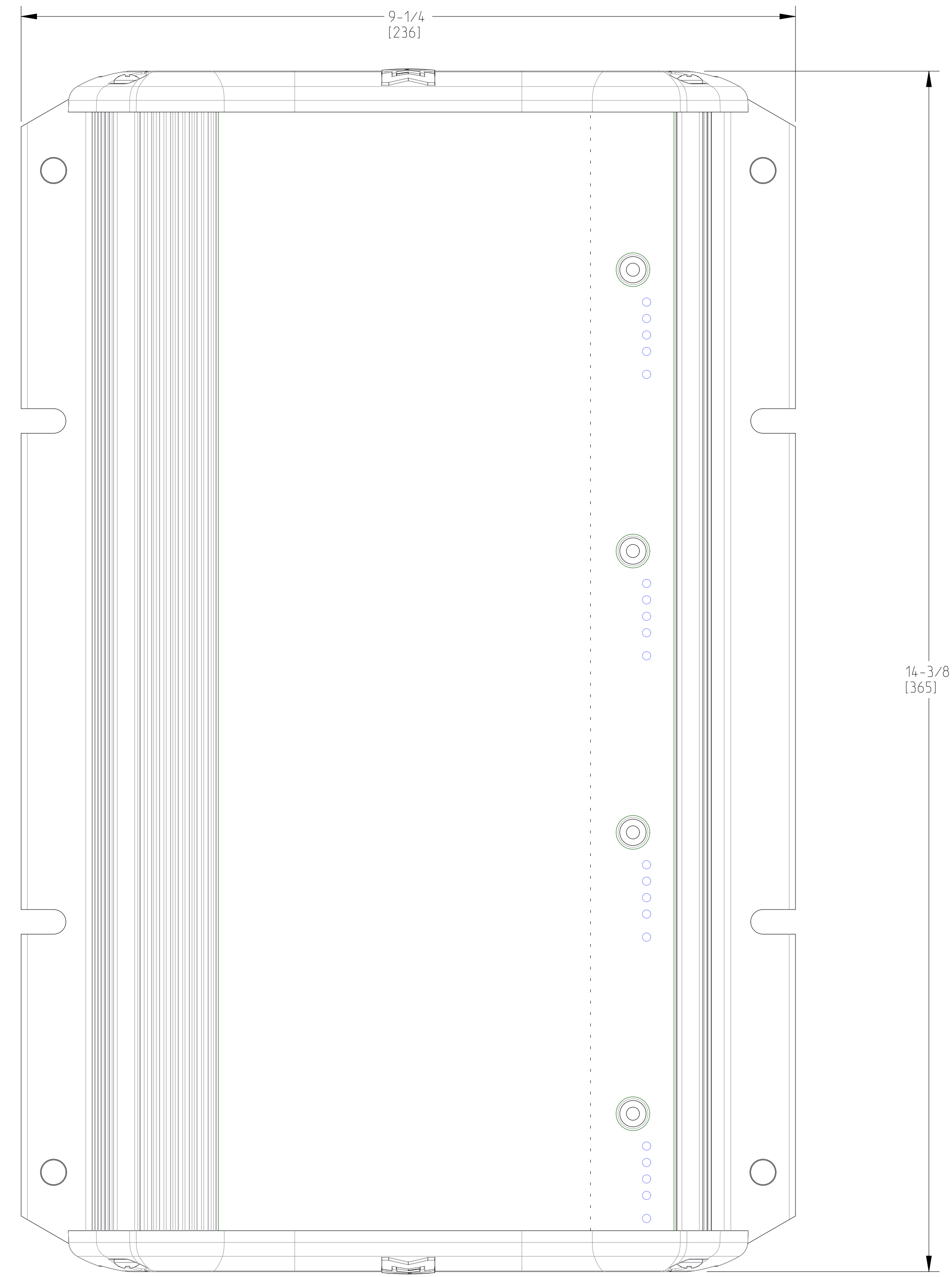
SHEET 1 OF 2

U/A IN. (MM)

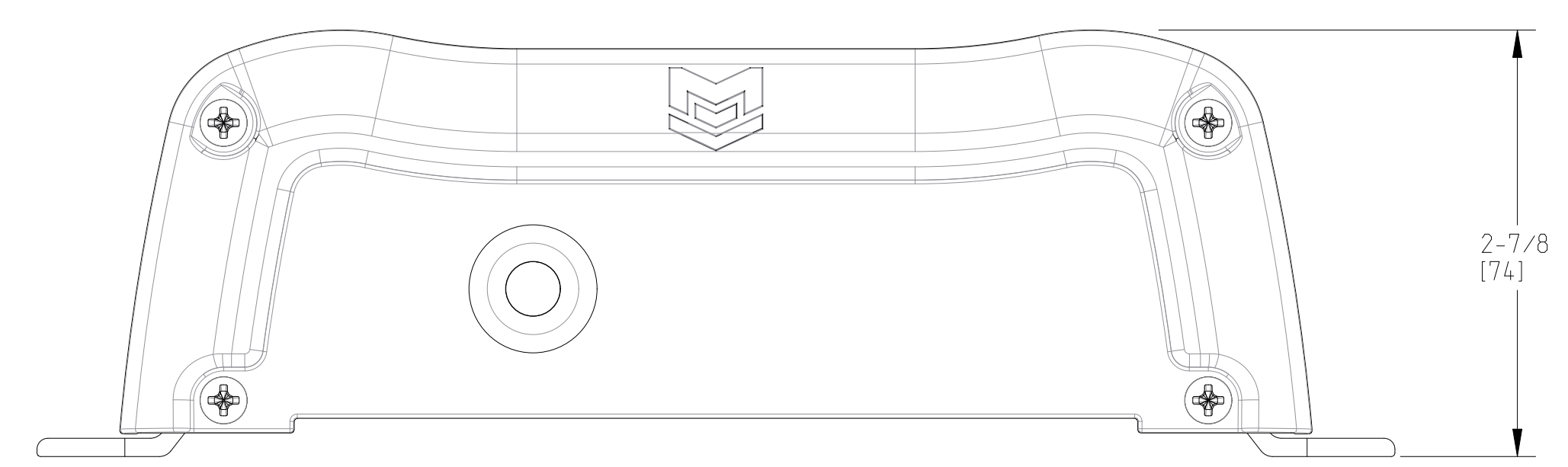
REV: B

D SIZE

REVISIONS				
REV.	ECN NO.	DESCRIPTION	BY	DATE
		SEE SHEET 1		



MAINTAIN SIX INCHES OF CLEARANCE ON ALL SIDES OF CHARGER FOR PROPER AIR CIRULATION AND COOLING



CAUTION: ALWAYS WEAR SAFETY GLASSES AND GLOVES. DISCONNECT ALL POWER BEFORE BEGINNING ANY WORK OR MAINTENANCE. JOHNSON OUTDOORS INC. IS NOT RESPONSIBLE FOR ANY DAMAGE DUE TO IMPROPER RIGGING OR INSTALLATION. IF YOU DO NOT HAVE THE SKILLS, EXPERIENCE AND TOOLS TO PERFORM THE FOLLOWING MAINTENANCE AND REPAIRS, WE RECOMMEND YOU SEEK THE HELP OF AN AUTHORIZED SERVICE CENTER. OR CONTACT OUR TECHNICAL SERVICE DEPARTMENT BY DIALING 800-227-6433.

CUSTOMER DRAWING

JOHNSON OUTDOORS
MARINE ELECTRONICS, INC.

DRAWING NAME: MK460PCL CHARGER D size

DRAWING NO: CD0010 REV: B

SHEET 2 OF 2 U/A IN. (MM)