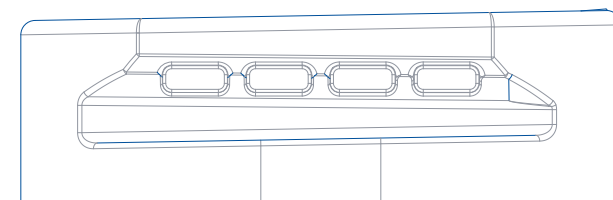
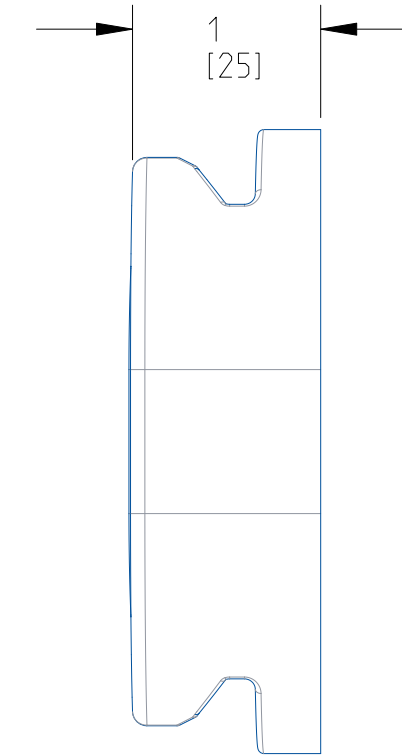
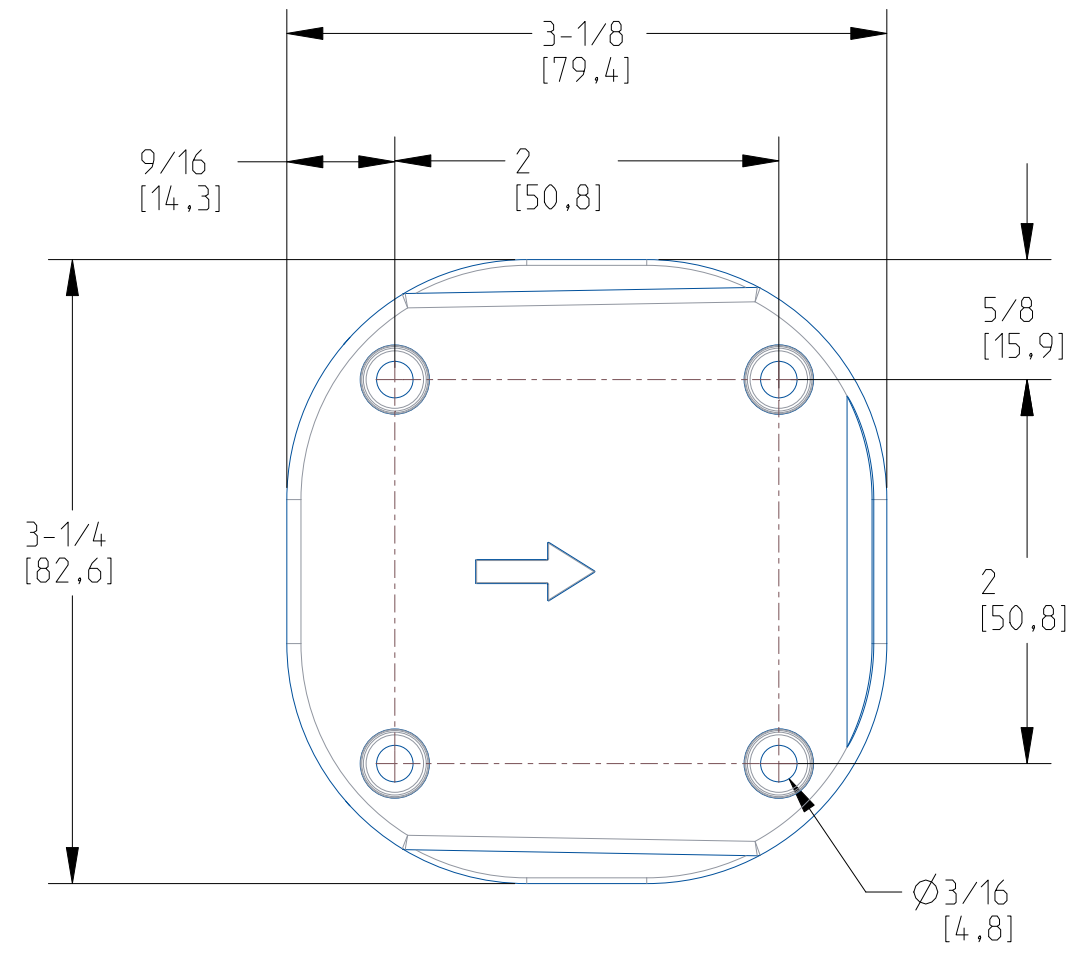


DRAWING NO:

CD0020

REVISIONS				
REV.	ECN NO.	DESCRIPTION	BY	DATE
A	44080	RELEASE FOR PRODUCTION	JRL	16JUN2023



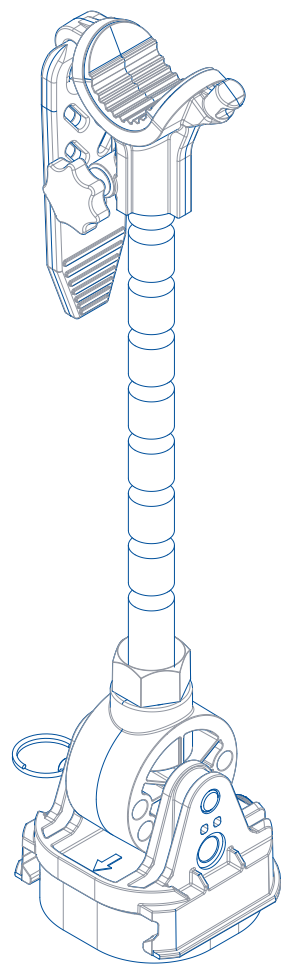
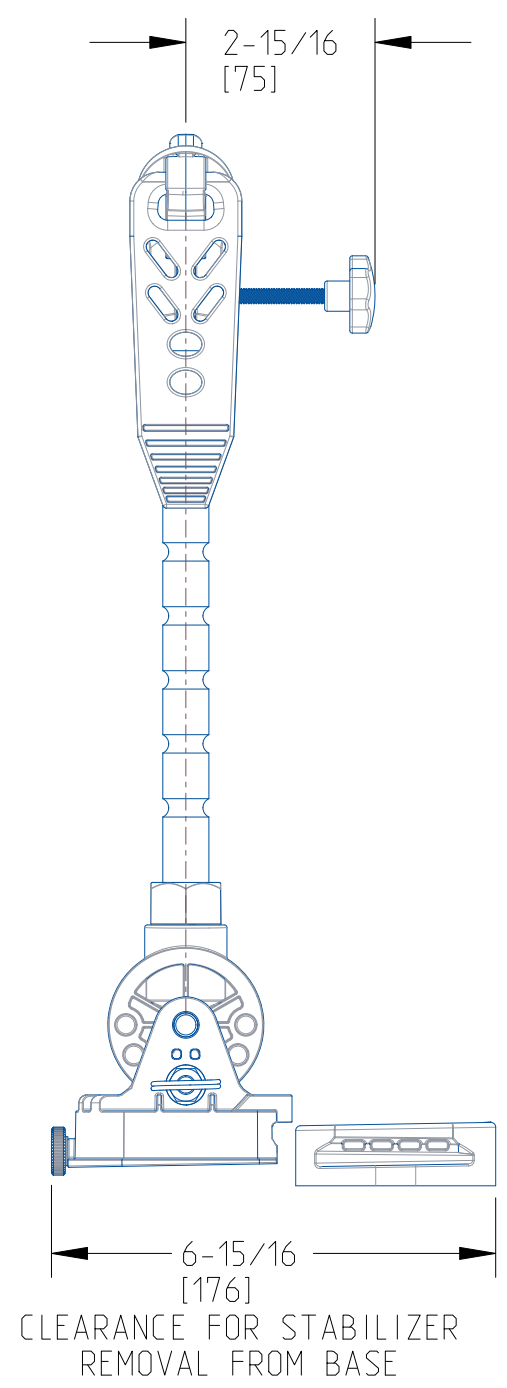
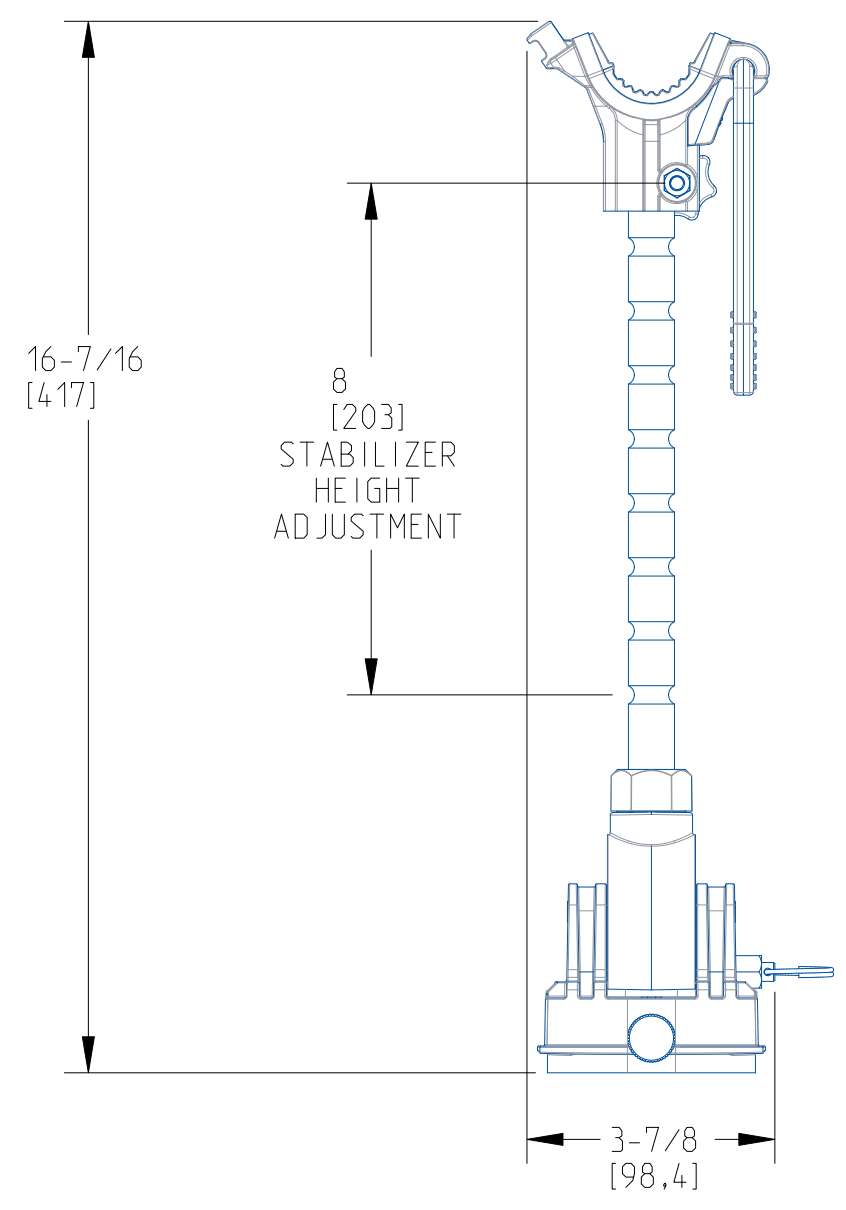
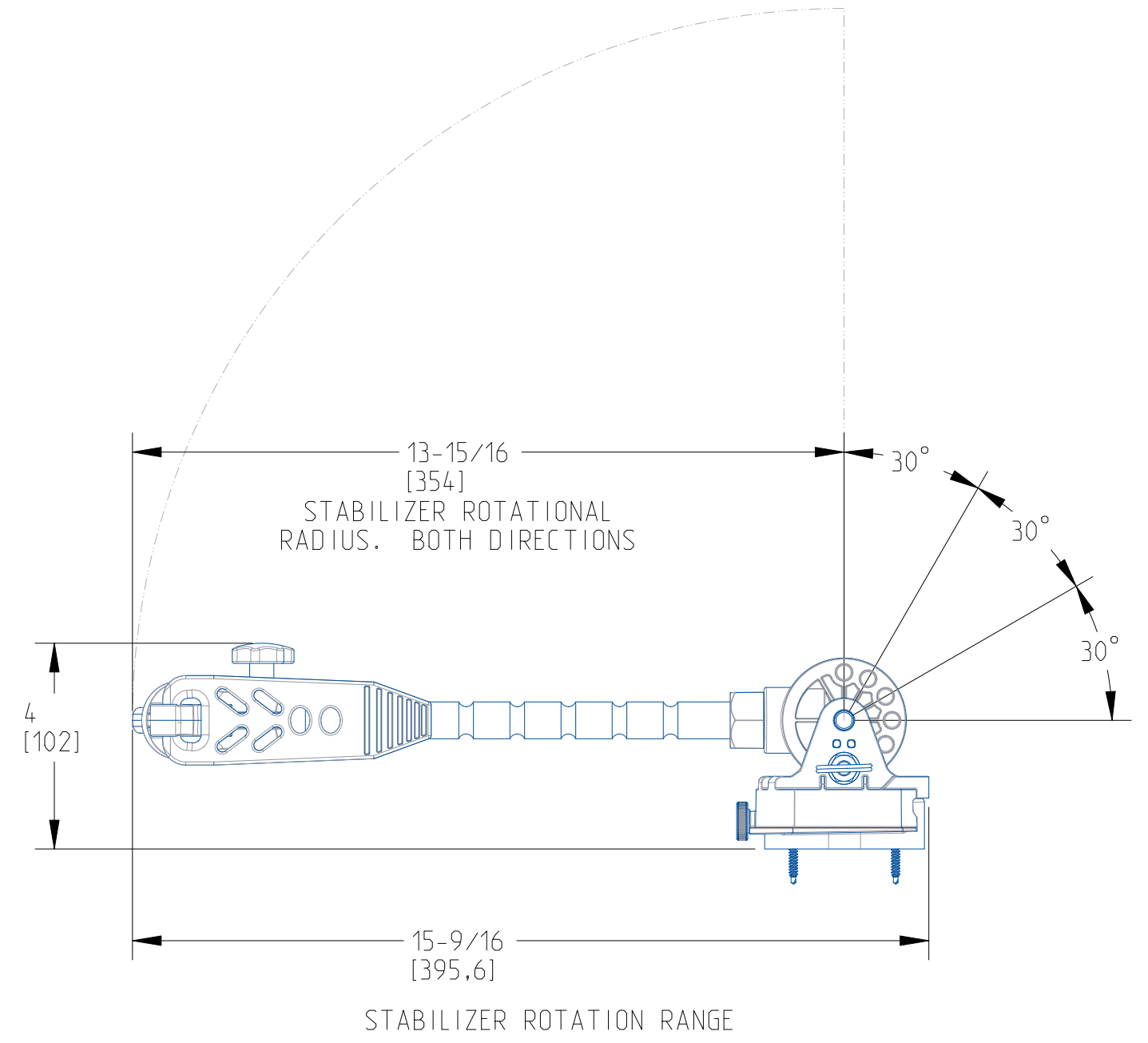
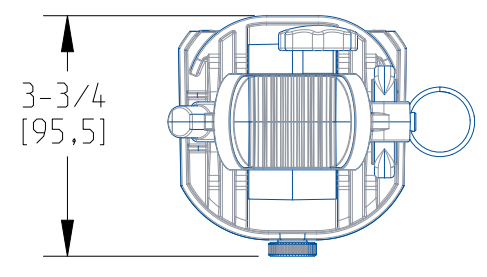
NOTES:

11. MOUNTING FASTENERS TO BE #8 MINNKOTA SUPPLIED SELF DRILLING SCREWS

CAUTION: ALWAYS WEAR SAFETY GLASSES AND GLOVES. DISCONNECT ALL POWER BEFORE BEGINNING ANY WORK OR MAINTENANCE. JOHNSON OUTDOORS INC. IS NOT RESPONSIBLE FOR ANY DAMAGE DUE TO IMPROPER RIGGING OR INSTALLATION. IF YOU DO NOT HAVE THE SKILLS, EXPERIENCE AND TOOLS TO PERFORM THE FOLLOWING MAINTENANCE AND REPAIRS, WE RECOMMEND YOU SEEK THE HELP OF AN AUTHORIZED SERVICE CENTER. OR CONTACT OUR TECHNICAL SERVICE DEPARTMENT BY DIALING 800-227-6433.

CUSTOMER DRAWING			
JOHNSON OUTDOORS MARINE ELECTRONICS, INC.			
DRAWING NAME: MKA-60			C SIZE
DRAWING NO: CD0020		U/M: IN.	REV: A

REV. ECN NO.		REVISIONS DESCRIPTION	BY	DATE
		SEE SHEET 1		



CAUTION: ALWAYS WEAR SAFETY GLASSES AND GLOVES. DISCONNECT ALL POWER BEFORE BEGINNING ANY WORK OR MAINTENANCE. JOHNSON OUTDOORS INC. IS NOT RESPONSIBLE FOR ANY DAMAGE DUE TO IMPROPER RIGGING OR INSTALLATION. IF YOU DO NOT HAVE THE SKILLS, EXPERIENCE AND TOOLS TO PERFORM THE FOLLOWING MAINTENANCE AND REPAIRS, WE RECOMMEND YOU SEEK THE HELP OF AN AUTHORIZED SERVICE CENTER. OR CONTACT OUR TECHNICAL SERVICE DEPARTMENT BY DIALING 800-227-6433.

CUSTOMER DRAWING			
JOHNSON OUTDOORS MARINE ELECTRONICS, INC.			
DRAWING NAME:	MKA-60	U/M:	REV: A
DRAWING NO.:	CD0020	IN.	