

# **RIPTIDE® MAXXUM®**

**BOW-MOUNT TROLLING MOTOR**

**Owner's Manual**

# INTRODUCTION

## THANK YOU

Thank you for choosing Minn Kota. We believe that you should spend more time fishing and less time positioning your boat. That's why we build the smartest, toughest, most intuitive trolling motors on the water. Every aspect of a Minn Kota trolling motor is thought out and rethought until it's good enough to bear our name. Countless hours of research and testing provide you the Minn Kota advantage that can truly take you "Anywhere. Anytime." We don't believe in shortcuts. We are Minn Kota. And we are never done helping you catch more fish.

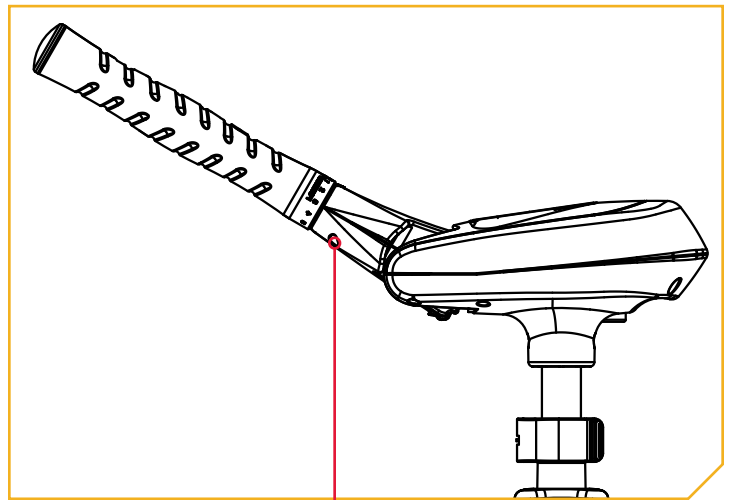
## REGISTRATION

Remember to keep your receipt and immediately register your trolling motor. A registration card is included with your motor or you can complete registration on our website at [minnkotamotors.com](http://minnkotamotors.com).

## SERIAL NUMBER

Your Minn Kota 11-character serial number is very important. It helps to determine the specific model and year of manufacture. When contacting Consumer Service or registering your product, you will need to know your product's serial number. We recommend that you write the serial number down so that you have it available for future reference.

**NOTICE:** The serial number on your Riptide Maxxum is located under the tiller handle.



## MOTOR INFORMATION (For Consumer Reference Only)

Model: \_\_\_\_\_

Serial Number: \_\_\_\_\_

Purchase Date: \_\_\_\_\_

Store Where Purchased: \_\_\_\_\_

**NOTICE:** Do not return your Minn Kota motor to your retailer. Your retailer is not authorized to repair or replace this unit. You may obtain service by: calling Minn Kota at (800) 227-6433; returning your motor to the Minn Kota Factory Service Center; sending or taking your motor to any Minn Kota authorized service center. A list of authorized service centers is available on our website, at [minnkotamotors.com](http://minnkotamotors.com). Please include proof of purchase, serial number and purchase date for warranty service with any of the above options.

# TABLE OF CONTENTS

////////////////////

<b>SAFETY CONSIDERATIONS</b> .....	4
<b>WARRANTY</b> .....	5
<b>FEATURES</b> .....	7
<b>INSTALLATION</b> .....	8
Installation of Motor to Mount.....	8
Installation of the Bow-mount.....	10
Installation of the Hold Down Strap.....	11
<b>BATTERY &amp; WIRING INSTALLATION</b> .....	12
Boat Rigging & Product Installation.....	12
Conductor Gauge and Circuit Breaker Sizing Table .....	12
Selecting the Correct Batteries.....	13
Additional Considerations.....	13
Connecting the Batteries .....	14
Connecting the Batteries in Series .....	15
<b>MOTOR WIRING DIAGRAM</b> .....	16
<b>USING &amp; ADJUSTING THE MOTOR</b> .....	18
Mount Features .....	18
Stowing & Deploying the Motor .....	19
Adjusting the Depth of the Motor .....	21
Controlling Speed and Direction with the Tiller .....	22
Adjusting the Tilt/Extend Tiller .....	22
<b>SERVICE &amp; MAINTENANCE</b> .....	24
Propeller Replacement.....	24
General Maintenance .....	25
Troubleshooting .....	25
For Further Troubleshooting And Repair.....	26
<b>COMPLIANCE STATEMENTS</b> .....	27
<b>PARTS DIAGRAM &amp; PARTS LIST</b> .....	29

# SAFETY CONSIDERATIONS

Please thoroughly read the user manual. Follow all instructions and heed all safety and cautionary notices. Use of this motor is only permitted for persons that have read and understood these user instructions. Minors may use this motor only under adult supervision.

## **WARNING**

You are responsible for the safe and prudent operation of your vessel. We have designed your Minn Kota product to be an accurate and reliable tool that will enhance boat operation and improve your ability to catch fish. This product does not relieve you from the responsibility for safe operation of your boat. You must avoid hazards to navigation and always maintain a permanent watch so you can respond to situations as they develop. You must always be prepared to regain manual control of your boat. Learn to operate your Minn Kota product in an area free from hazards and obstacles.

## **WARNING**

Never run the motor out of the water, as this may result in injuries from the rotating propeller. The motor should be disconnected from the power source when it is not in use or is off the water. When connecting the power-supply cables of the motor to the battery, ensure that they are not kinked or subject to chafe and route them in such a way that persons cannot trip over them. Before using the motor make sure that the insulation of the power cables is not damaged. Disregarding these safety precautions may result in electric shorts of battery(s) and/or motor. Always disconnect motor from battery(s) before cleaning or checking the propeller. Avoid submerging the complete motor as water may enter the lower unit through control head and shaft. If the motor is used while water is present in the lower unit considerable damage to the motor can occur. This damage will not be covered by warranty.

## **WARNING**

Take care that neither you nor other persons approach the turning propeller too closely, neither with body parts nor with objects. The motor is powerful and may endanger or injure you or others. While the motor is running watch out for persons swimming and for floating objects. Persons who lack the ability to run the motor or whose reactions are impaired by alcohol, drugs, medication, or other substances are not permitted to use this motor. This motor is not suitable for use in strong currents. The constant noise pressure level of the motor during use is less than 70dB(A). The overall vibration level does not exceed 2,5 m/sec<sup>2</sup>.

## **WARNING**

When stowing or deploying the motor, keep fingers clear of all hinge and pivot points and all moving parts. In the event of unexpected operation, remove power leads from the battery.

## **WARNING**

It is recommended to only use Johnson Outdoors approved accessories with your Minn Kota motor. Using non-approved accessories including to mount or control your motor may cause damage, unexpected motor operation and injury. Be sure to use the product and approved accessories, including remotes, safely and in the manner directed to avoid accidental or unexpected motor operation. Keep all factory installed parts in place including motor and accessory covers, enclosures and guards.

# WARRANTY

## WARRANTY ON MINN KOTA SALTWATER TROLLING MOTORS

Johnson Outdoors Marine Electronics, Inc. ("JOME") extends the following limited warranty to the original retail purchaser only. Warranty coverage is not transferable.

### Minn Kota Limited Two-Year Warranty on the Entire Product

JOME warrants to the original retail purchaser only that the purchaser's new Minn Kota saltwater trolling motor will be materially free from defects in materials and workmanship appearing within two (2) years after the date of purchase. JOME will (at its option) either repair or replace, free of charge, any parts found by JOME to be defective during the term of this warranty. Such repair, or replacement shall be the sole and exclusive liability of JOME and the sole and exclusive remedy of the purchaser for breach of this warranty.

### Minn Kota Limited Lifetime Warranty on Composite Shaft

JOME warrants to the original retail purchaser only that the composite shaft of the purchaser's Minn Kota trolling motor will be materially free from defects in materials and workmanship appearing within the original purchaser's lifetime. JOME will provide a new composite shaft, free of charge, to replace any composite shaft found by JOME to be defective during the term of this warranty. Providing a new composite shaft shall be the sole and exclusive liability of JOME and the sole and exclusive remedy of the purchaser for breach of this warranty; **and purchaser shall be responsible for installing, or for the cost of labor to install, any new composite shaft provided by JOME.**

### Exclusions & Limitations

This limited warranty does not apply to products that have been used commercially or for rental purposes. This limited warranty does not cover normal wear and tear, blemishes that do not affect the operation of the product, or damage caused by accidents, abuse, alteration, modification, shipping damages, negligence of the user or misuse, improper or insufficient care or maintenance. **DAMAGE CAUSED BY THE USE OF OTHER REPLACEMENT PARTS NOT MEETING THE DESIGN SPECIFICATIONS OF THE ORIGINAL PARTS WILL NOT BE COVERED BY THIS LIMITED WARRANTY.** The cost of normal maintenance or replacement parts which are not in breach of the limited warranty are the responsibility of the purchaser. Prior to using products, the purchaser shall determine the suitability of the products for the intended use and assumes all related risk and liability. Any assistance JOME provides to or procures for the purchaser outside the terms, limitations or exclusions of this limited warranty will not constitute a waiver of the terms, limitations or exclusions, nor will such assistance extend or revive the warranty. JOME will not reimburse the purchaser for any expenses incurred by the purchaser in repairing, correcting or replacing any defective products or parts, except those incurred with JOME's prior written permission. **JOME'S AGGREGATE LIABILITY WITH RESPECT TO COVERED PRODUCTS IS LIMITED TO AN AMOUNT EQUAL TO THE PURCHASER'S ORIGINAL PURCHASE PRICE PAID FOR SUCH PRODUCT.**

### Minn Kota Service Information

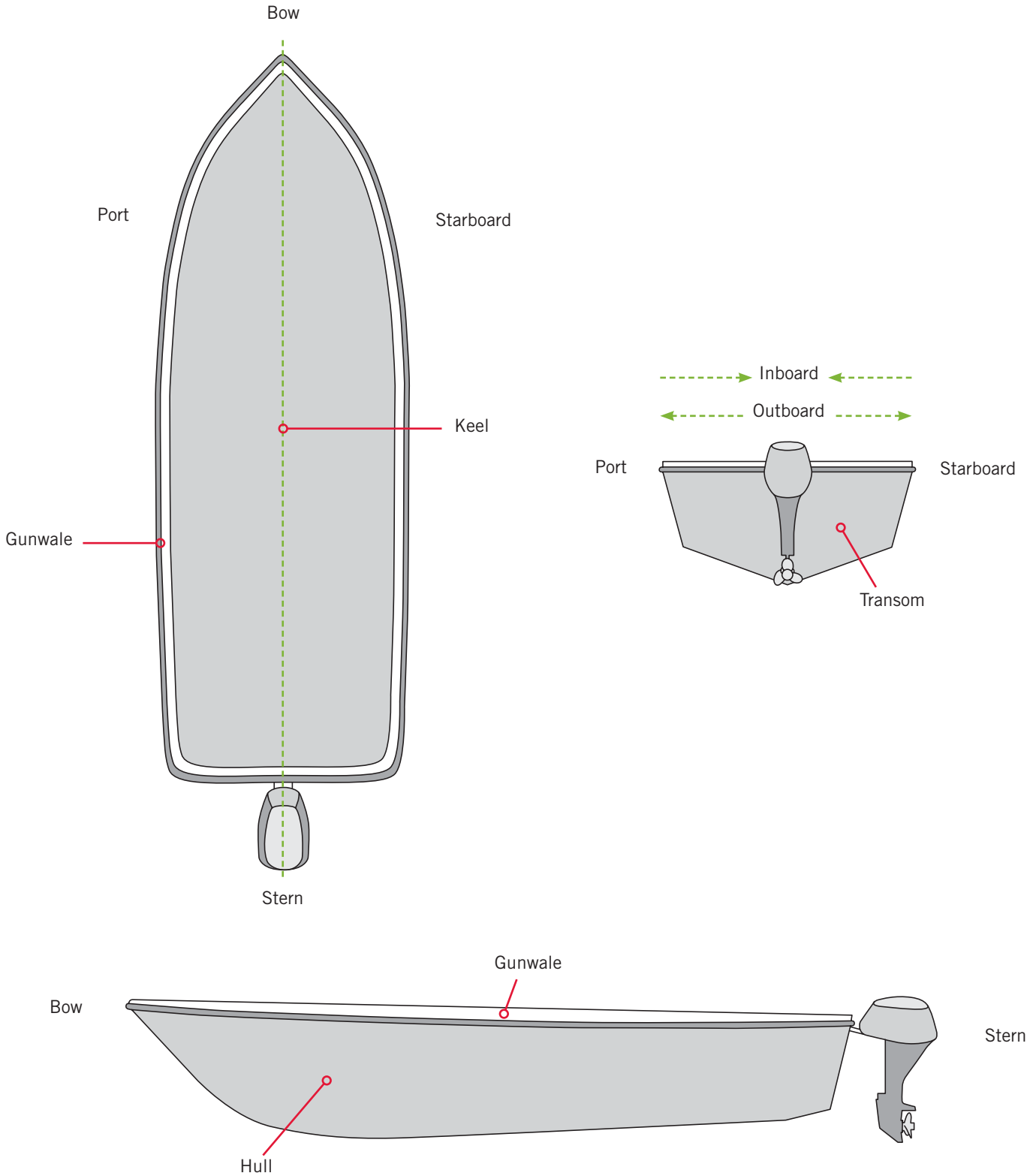
To obtain warranty service in the U.S., the product believed to be defective, and proof of original purchase (including the date of purchase), must be presented to a Minn Kota Authorized Service Center or to Minn Kota's factory service center in Mankato, MN. Any charges incurred for service calls, transportation or shipping/freight to/from the Minn Kota Authorized Service Center or factory, labor to haul out, remove, re-install or re-rig products removed for warranty service, or any other similar items are the sole and exclusive responsibility of the purchaser. Products purchased outside of the U.S. must be returned prepaid with proof of purchase (including the date of purchase and serial number) to any Authorized Minn Kota Service Center in the country of purchase. Warranty service can be arranged by contacting a Minn Kota Authorized Service Center or by contacting the factory at 1-800-227-6433 or email [service@minnkotamotors.com](mailto:service@minnkotamotors.com). **Products repaired or replaced will be warranted for the remainder of the original warranty period [or for 90 days from the date of repair or replacement, whichever is longer]. For any product that is returned for warranty service that JOME finds to be not covered by or not in breach of this limited warranty, there will be a billing for services rendered at the prevailing posted labor rate and for a minimum of at least one hour.**

**NOTICE:** Do not return your Minn Kota product to your retailer. Your retailer is not authorized to repair or replace products.

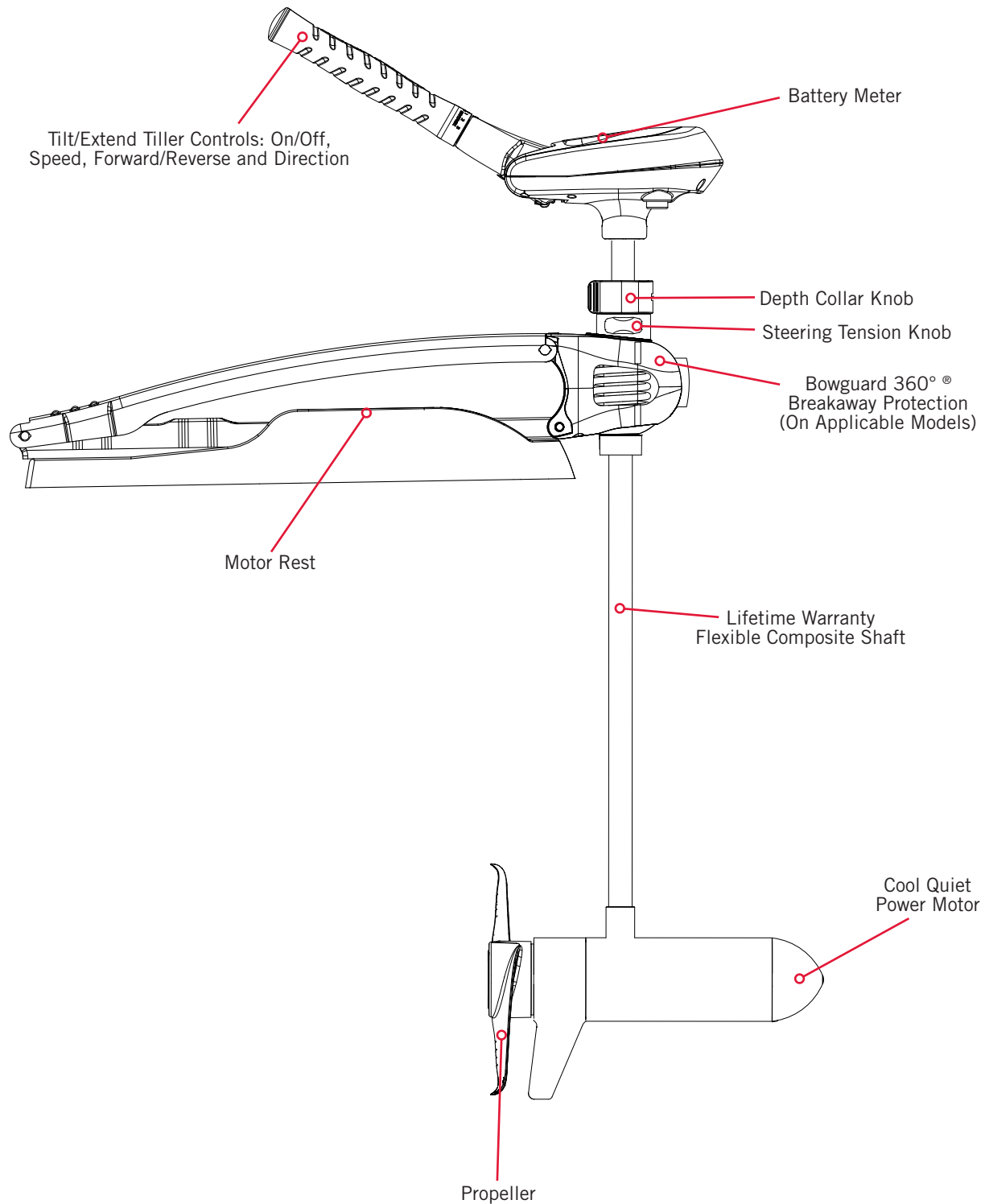
**NOTICE:** THERE ARE NO EXPRESS WARRANTIES OTHER THAN THESE LIMITED WARRANTIES. IN NO EVENT SHALL ANY IMPLIED WARRANTIES INCLUDING ANY IMPLIED WARRANTIES OF MERCHANTABILITY OR FITNESS FOR PARTICULAR PURPOSE, EXTEND BEYOND THE DURATION OF THE RELEVANT EXPRESS LIMITED WARRANTY. IN NO EVENT SHALL JOME BE LIABLE FOR PUNITIVE, INDIRECT, INCIDENTAL, CONSEQUENTIAL OR SPECIAL DAMAGES. Without limiting the foregoing, JOME assumes no responsibility for loss of use of product, loss of time, inconvenience or other damage.

Some states do not allow limitations on how long an implied warranty lasts or the exclusion or limitation of incidental or consequential damages, so the above limitations and/or exclusions may not apply to you. This warranty gives you specific legal rights and you may also have other legal rights which vary from state to state.

# KNOW YOUR BOAT



# FEATURES



**NOTICE:** Specifications subject to change without notice. This diagram is for reference only and may differ from your actual motor.

# INSTALLATION

## TOOLS AND RESOURCES REQUIRED >

- (2) 1/2" Wrenches
- 9/32" Drill Bit
- A second person to help with the installation
- Standard or Needle Nose Pliers
- File or Sandpaper
- Hand Saw
- 3/8" Nut Driver

## INSTALLATION >

### INSTALLATION OF MOTOR TO MOUNT

1



## WARNING

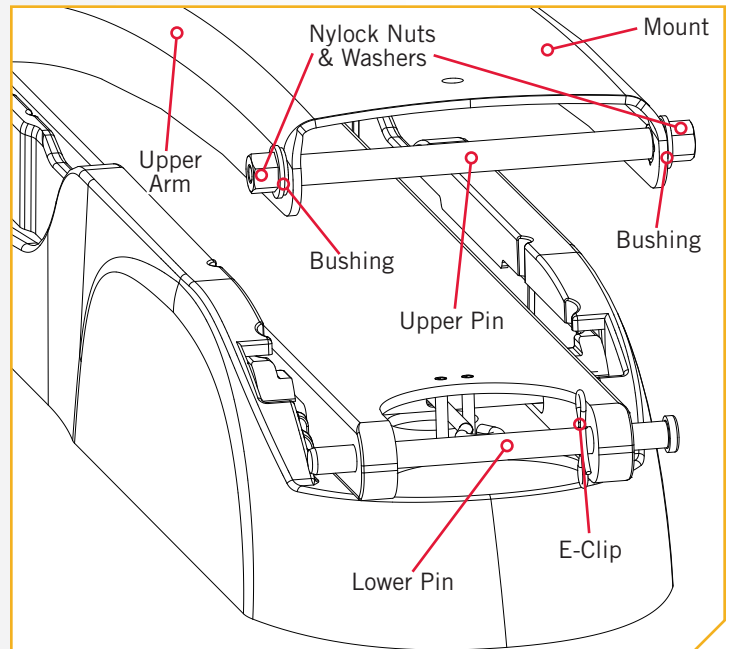
Make sure that the Power Cables from the battery are disconnected, or that the breaker, if equipped, is "off."

- With the Mount closed, use two 1/2" Wrenches to remove one of the two Nylock Nuts and Washers from the Upper Pin. Then remove the Pin from Mount.

**NOTICE:** The two Bushings in the Upper Arm may come out. If so, keep them for re-assembly.

- Using a pair of Pliers, remove the Spring Clip from the Lower Pin. Remove the Lower Pin from Mount.

**NOTICE:** This motor weighs approximately 60 lbs. We recommend having a second person help with the installation.





**2**

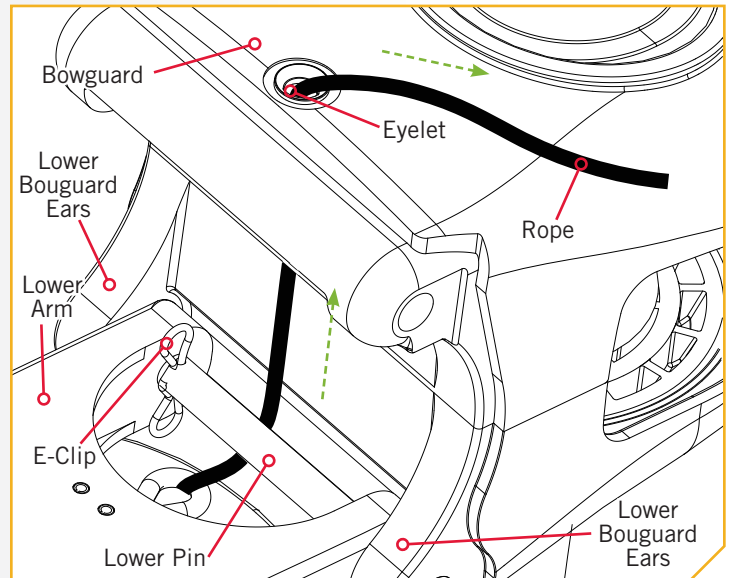
- c. Open the mount by lifting the Upper Arm up and opening the mount so it lays flat.



## WARNING

Carefully lower the Bowguard into place to avoid creating a pinch point between the Bowguard and Mount.

- d. Align the Lower Arm and the Lower Bowguard Ears. Once aligned, insert the Lower Pin, pushing it through both the Lower Arm and the Bowguard Ears.
- e. Re-install the E-Clips into the Lower Pin.
- f. Take the Rope and route it under the Lower Pin and through the bottom of the Eyelet and out the top of the Bowguard.



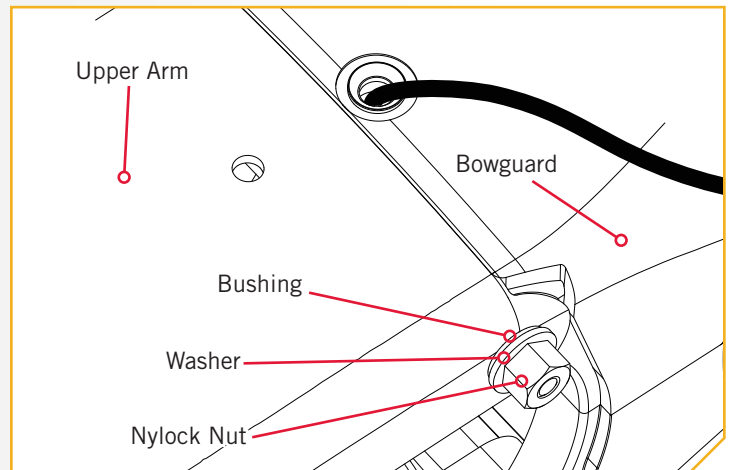
**3**

- g. Rotate the Upper Arm back in place to close the mount.
- h. Align the Upper Arm Holes with Upper Bowguard

**NOTICE:** The two Bushings in the Upper Arm may come out. Re-assemble them into the Upper Arm making sure the “keys” of the inserts are aligned with the “key” punchouts in the Upper Arm.

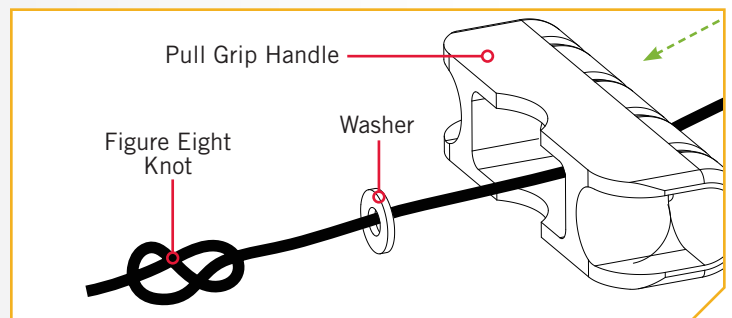
Ears and install the Upper Pin.

- i. Re-install the Washer and Nylock Nut and tighten using two 1/2" Wrenches.



**4**

- j. Route the Rope through the Pull Grip Handle and small Washer. Secure it by tying a Figure Eight Knot.



# INSTALLATION

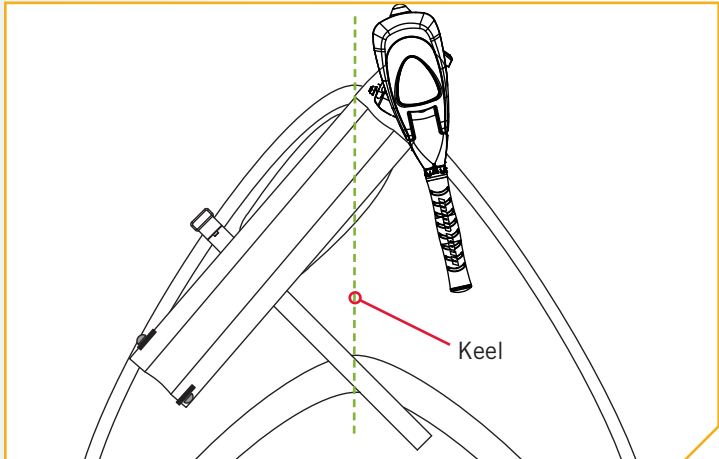
## › Installation of the Bow-mount

Please review the following guidelines before beginning the installation of the Bow-mount:

- The Motor should be mounted as close to the centerline or keel of the boat as possible when it is deployed.
- Make sure bow area under the chosen location is clear and unobstructed for drilling.
- Make sure the Motor Rest is positioned far enough beyond the edge of the boat. The motor, as it is lowered into the water or raised into the boat, must not encounter any obstructions.

**NOTICE:** We recommend that you have another person help with this installation.

**1** a. Review the mounting considerations at the beginning of this section. Place the Mount as close to the centerline or keel of the boat as possible, with the motor in the stowed position, on the deck of the boat. Check placement with the motor in the stowed and deployed positions.

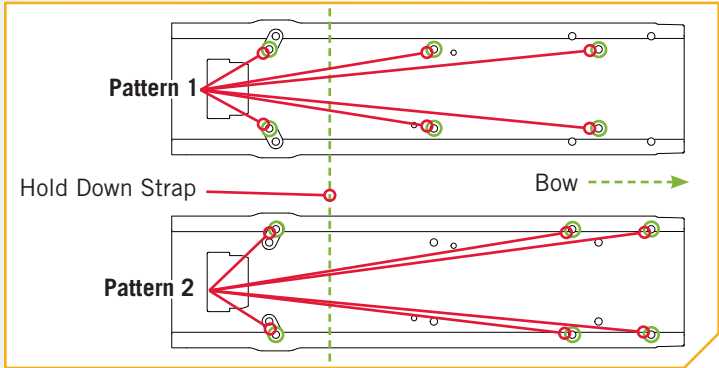


**⚠ WARNING**  
For installation, do not remove the shaft/motor from the Bowguard. The Bowguard spring is under tension and must always remain secured. Latch and Door models can be removed from the mount if needed.

**2** b. Once in position, determine which bolt pattern to use. Mark at least 4 of the holes (2 on each side) in the Bow Plate and drill through with a 9/32" Drill Bit. Either pattern may be used when installing the motor. Pattern 1 is the Minn Kota 3" bolt pattern standard motors and Pattern 2 is the alternate 4" bolt pattern commonly used.

c. Install the Hold Down Strap between the Motor and deck of boat between second and third set of Mounting Holes. The hook and loop side of the strap should face down and the metal loop should be outboard.

d. Mount the Plate to the bow through the drilled holes using the provided (1/4-20 x 3-1/2") bolts, nuts and washers.



**NOTICE:** To prevent seizing of the stainless steel hardware, do not use high speed installation tools. Wetting the screws or applying an anti-seize may help prevent seizing.

**NOTICE:** If possible, secure all sets of mounting bolts, nuts and washers.

## › Installation of the Hold Down Strap

The Hold Down Strap is not included on all models.

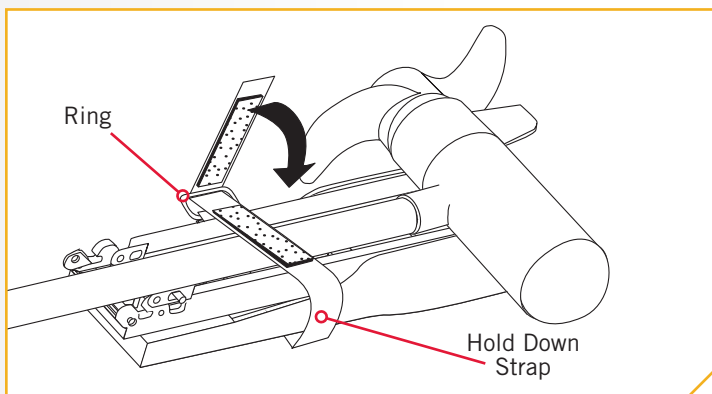
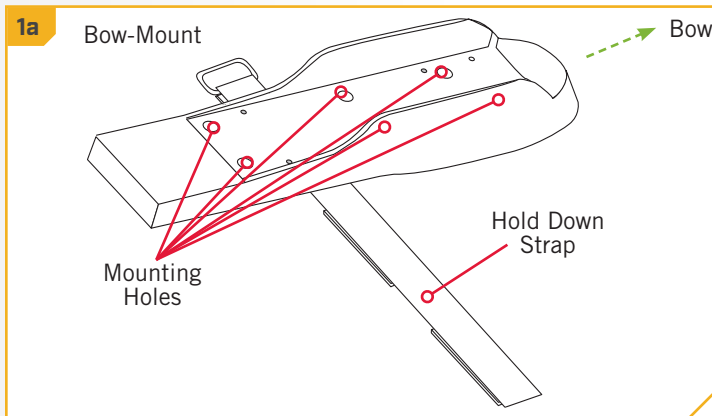
**1**

- a. Before mounting the trolling motor place the Hold Down Strap under the Bow-mount between the Mounting Holes near the back of the motor rest with the hook and loop side of the strap facing down.
- b. Secure the Bow-mount with the Mounting Bolts to capture the Hold Down Strap as noted in the Installation of the Bow-mount Section of this Manual.
- c. To secure, stow the motor, and then pull the Hold Down Strap through the rectangular Ring until snug. Press the hook pad of the strap, into the loop pad and secure. The Hold Down Strap should be used whenever the motor is stowed.



### WARNING

When the motor is being transported, on water or land, it is important to place the motor completely out of water. The motor should be positioned up close to the Bowguard. The motor should be positioned on the Rails of the Motor Rest and in the stowed position. Release the Depth Collar and slide it along the Shaft until it makes contact with the Bowguard, then re-secure the Depth Collar. For added security during transport secure the Hold Down Strap. This provides a secure stow and holds the motor in place during transportation when it is subject to high levels of shock and vibration. Failure to secure the motor may result in injury or damage to the unit.



# BATTERY & WIRING INSTALLATION

## BOAT RIGGING & PRODUCT INSTALLATION

For safety and compliance reasons, we recommend that you follow American Boat and Yacht Council (ABYC) standards when rigging your boat. Altering boat wiring should be completed by a qualified marine technician. The following specifications are for general guidelines only:

### CAUTION

These guidelines apply to general rigging to support your Minn Kota motor. Powering multiple motors or additional electrical devices from the same power circuit may impact the recommended conductor gauge and circuit breaker size. If you are using wire longer than that provided with your unit, follow the conductor gauge and circuit breaker sizing table below. If your wire extension length is more than 25 feet, we recommend that you contact a qualified marine technician.

### CAUTION

**An over-current protection device (circuit breaker or fuse) must be used.** Coast Guard requirements dictate that each ungrounded current-carrying conductor must be protected by a manually reset, trip-free circuit breaker or fuse. The type (voltage and current rating) of the fuse or circuit breaker must be sized accordingly to the trolling motor used. The table below gives recommended guidelines for circuit breaker sizing.

## CONDUCTOR GAUGE AND CIRCUIT BREAKER SIZING TABLE

This conductor and circuit breaker sizing table is only valid for the following assumptions:

1. No more than 2 conductors are bundled together inside of a sheath or conduit outside of engine spaces.
2. Each conductor has 105° C temp rated insulation.
3. No more than 5% voltage drop allowed at full motor power based on published product power requirements.

Motor Thrust / Model	Max Amp Draw	Circuit Breaker	Wire Extension Length				
			5 feet	10 feet	15 feet	20 feet	25 feet
30 lb.	30	50 Amp @ 12 VDC	10 AWG	10 AWG	8 AWG	6 AWG	4 AWG
40 lb., 45 lb.	42		10 AWG	8 AWG	6 AWG	4 AWG	4 AWG
50 lb., 55 lb.	50	60 Amp @ 12 VDC	8 AWG	6 AWG	4 AWG	4 AWG	2 AWG
70 lb.	42	50 Amp @ 24 VDC	10 AWG	10 AWG	8 AWG	8 AWG	6 AWG
80 lb.	56	60 Amp @ 24 VDC	8 AWG	8 AWG	8 AWG	6 AWG	6 AWG
101 lb.	46	50 Amp @ 36 VDC	8 AWG	8 AWG	8 AWG	8 AWG	8 AWG
Engine Mount 101	50	60 Amp @ 36 VDC	8 AWG	8 AWG	8 AWG	8 AWG	8 AWG
112 lb.	52	60 Amp @ 36 VDC	8 AWG	8 AWG	8 AWG	8 AWG	8 AWG
Engine Mount 160	116	(2) x 60 Amp @ 24 VDC	6 AWG	6 AWG	4 AWG	2 AWG	2 AWG
E-Drive	40	50 Amp @ 48 VDC	10 AWG	10 AWG	10 AWG	10 AWG	10 AWG

**NOTICE:** Wire Extension Length refers to the distance from the batteries to the trolling motor leads. Consult website for available thrust options. Maximum Amp Draw values only occur intermittently during select conditions and should not be used as continuous amp load ratings.

Reference

United States Code of Federal Regulations: 33 CFR 183 – Boats and Associated Equipment ABYC E-11: AC and DC Electrical Systems on Boats



**SELECTING THE CORRECT BATTERIES**

The motor will operate with any lead acid, deep cycle marine 12-volt battery/batteries. For best results, use a deep cycle, marine battery with at least a 105 amp-hour rating. Maintain battery at full charge. Proper care will ensure having battery power when you need it, and will significantly improve the battery life. Failure to recharge lead-acid batteries (within 12-24 hours) is the leading cause of premature battery failure. Use a multi-stage charger to avoid overcharging. We offer a wide selection of chargers to fit your charging needs. If you are using a crank battery to start a gasoline outboard, we recommend that you use a separate deep cycle marine battery/batteries for your Minn Kota trolling motor. For more information on battery selection and rigging, please visit [minnkotamotors.com](http://minnkotamotors.com). Minn Kota trolling motors can run on Lithium Ion batteries. However, they are specifically designed to run on traditional lead acid batteries (flooded, AMG or GEL). Lithium Ion batteries maintain higher voltages for longer periods of time than lead acid. Therefore, running a Minn Kota trolling motor at speeds higher than 85% for a prolonged period could cause permanent damage to the motor.

**⚠ WARNING**

Never connect the (+) and the (-) terminals of the same battery together. Take care that no metal object can fall onto the battery and short the terminals. This would immediately lead to a short and extreme fire danger.

**⚠ CAUTION**

Refer to “Conductor Gauge and Circuit Breaker Sizing Table” in the previous section to find the appropriate circuit breaker or fuse for your motor. For motors requiring a 60-amp breaker, the Minn Kota MKR-19 60-amp circuit breaker is recommended.

**⚠ CAUTION**

Please read the following information before connecting your motor to your batteries in order to avoid damaging your motor and/or voiding your warranty.

**ADDITIONAL CONSIDERATIONS**

**› Using DC or Alternator Chargers**

Your Minn Kota trolling motor may be designed with an internal bonding wire to reduce sonar interference. Most alternator charging systems do not account for this bonding wire, and connect the negative posts of the trolling motor batteries to the negative posts of the crank/starting battery. These external connections can damage connected electronics and the electrical system of your trolling motor, voiding your warranty. Review your charger’s manual carefully or consult the manufacturer prior to use to ensure your charger is compatible. Minn Kota recommends using Minn Kota brand chargers to recharge the batteries connected to your Minn Kota trolling motor, as they have been engineered to work with motors that include a bonding wire.

**› Additional Accessories Connected to Trolling Motor Batteries**

Significant damage to your Minn Kota motor, your boat electronics, and your boat can occur if incorrect connections are made between your trolling motor batteries and other battery systems. Minn Kota recommends using an exclusive battery system for your trolling motor. Where possible, accessories should be connected to a separate battery system. Radios and sonar units should not be connected to any trolling motor battery systems as interference from the trolling motor is unavoidable. If connecting any additional accessories to any trolling motor battery system, or making connections between the trolling motor batteries and other battery systems on the boat, be sure to carefully observe the information below.

# SELECTING THE CORRECT BATTERIES



The negative (-) connection must be connected to the negative terminal of the same battery that the trolling motor negative lead connects to. In the diagrams below this battery is labeled “Low Side” Battery. Connecting to any other trolling motor battery will input positive voltage into the “ground” of that accessory, which can cause excess corrosion. Any damage caused by incorrect connections between battery systems will not be covered under warranty.

## › Automatic Jump Start Systems and Selector Switches

Automatic jump start systems and selector switches tie the negatives of the connected batteries together. Connecting these systems to the “High Side” Battery or “Middle” Battery in the diagrams below and will cause significant damage to your trolling motor and electronics. The only trolling motor battery that is safe to connect to one of these systems is the “Low Side” Battery.

## CONNECTING THE BATTERIES

### › 12-Volt Systems

1. Make sure that the motor is switched off (speed selector on “OFF” or “0”).
2. Connect positive ( + ) red lead to positive ( + ) battery terminal.
3. Connect negative ( - ) black lead to negative ( - ) battery terminal.

### **WARNING**

For safety reasons do not switch the motor on until the propeller is in the water. If installing a leadwire plug, observe proper polarity and follow instructions in your boat owner’s manual.

### **WARNING**

- For safety reasons, disconnect the motor from the battery or batteries when the motor is not in use or while the battery/batteries are being charged.
- Improper wiring of 24/36 volt systems could cause battery explosion.
- Keep leadwire wing nut connections tight and solid to battery terminals.
- Locate battery in a ventilated compartment.



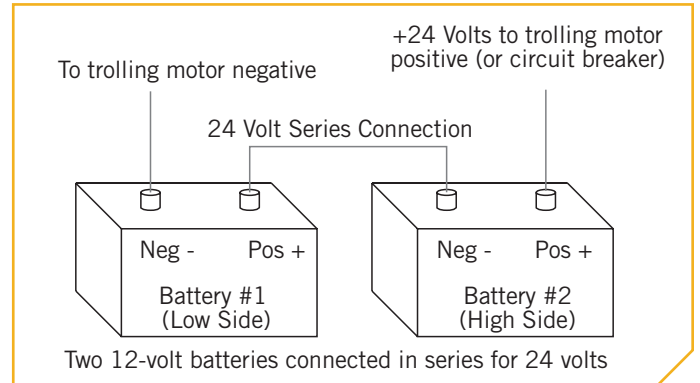
## CONNECTING THE BATTERIES IN SERIES

### CONNECTING THE BATTERIES IN SERIES (IF REQUIRED FOR YOUR MOTOR)

#### › 24-Volt Systems

Two 12-volt batteries are required. The batteries must be wired in series, only as directed in the wiring diagram, to provide 24 volts.

1. Make sure that the motor is switched off (speed selector on "0").
2. Connect a connector cable to the positive (+) terminal of battery 1 and to the negative (-) terminal of battery 2.
3. Connect positive (+) red motor lead to positive (+) terminal on battery 2.
4. Connect negative (-) black motor lead to negative (-) terminal of battery 1.



### **WARNING**

For safety reasons do not switch the motor on until the propeller is in the water. If installing a leadwire plug, observe proper polarity and follow instructions in your boat owner's manual.

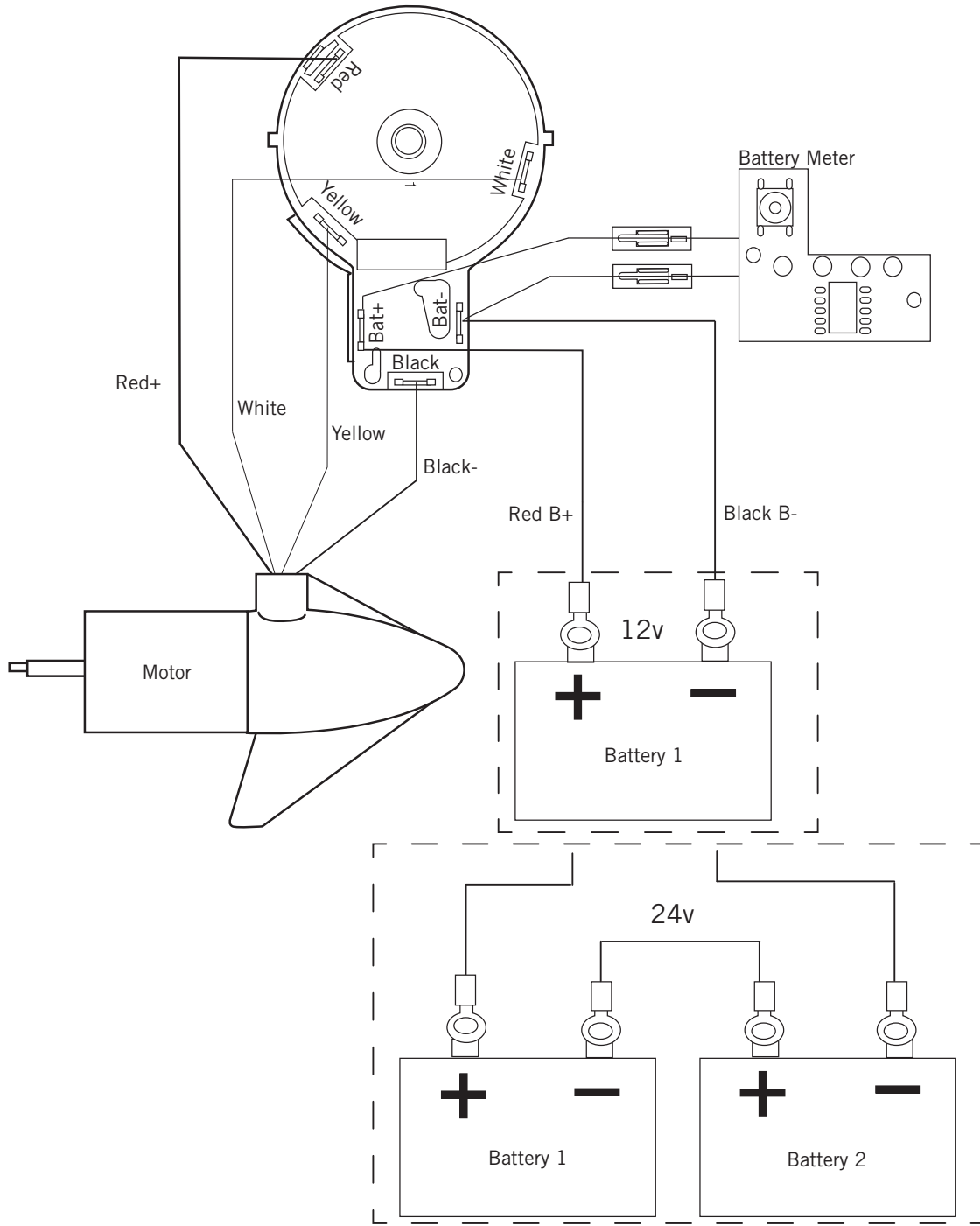
### **WARNING**

- For safety reasons, disconnect the motor from the battery or batteries when the motor is not in use or while the battery/batteries are being charged.
- Improper wiring of 24/36 volt systems could cause battery explosion.
- Keep leadwire wing nut connections tight and solid to battery terminals.
- Locate battery in a ventilated compartment.

# MOTOR WIRING DIAGRAM

## RIPTIDE MAXXUM 5-SPEED SWITCH

The following Motor Wiring Diagram applies to all Riptide Maxxum Foot Control models that come factory installed with a Five-Speed Switch.



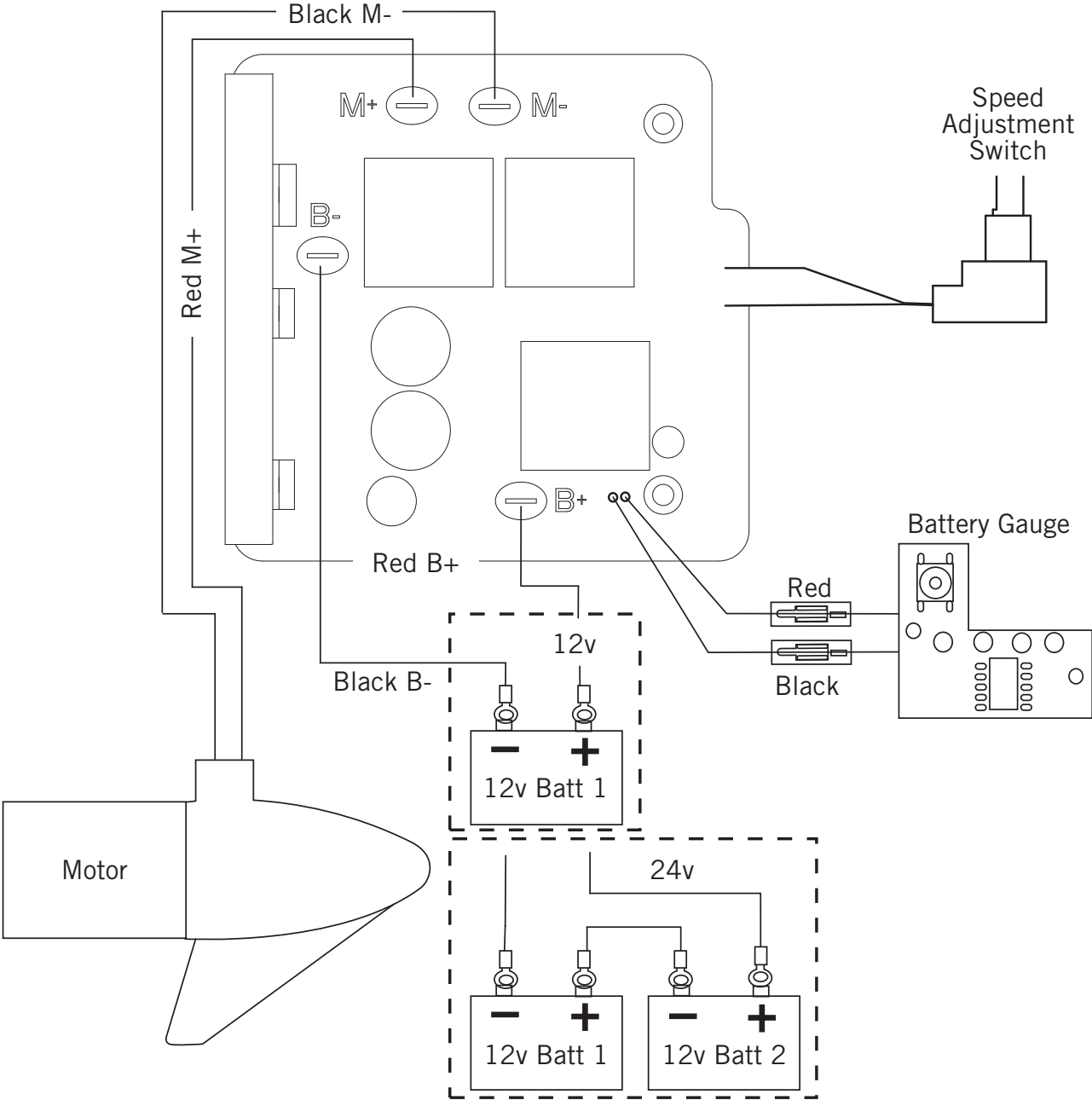
**NOTICE:** This is a multi-voltage diagram. Double-check your motor's voltage for proper connections. Over-Current Protection Devices are not shown in this illustration.



# MOTOR WIRING DIAGRAM

## RIPTIDE MAXXUM VARIABLE SPEED

The following Motor Wiring Diagram applies to all Riptide Maxxum Hand Control models that come factory installed with Variable Speed Control.

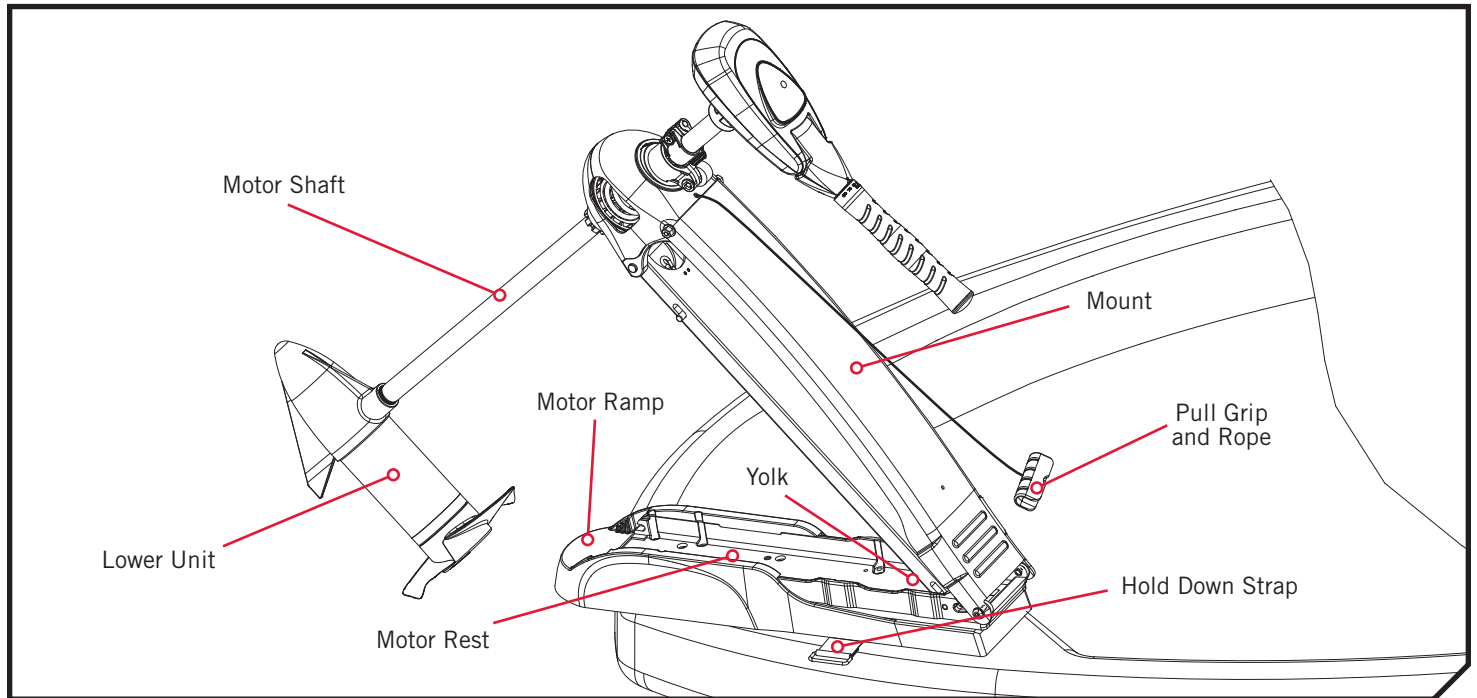


**NOTICE:** This is a multi-voltage diagram. Double-check your motor's voltage for proper connections. Over-Current Protection Devices are not shown in this illustration.

# USING & ADJUSTING THE MOTOR

## MOUNT FEATURES

Become familiar with the features of the motor to maximize the capabilities this product offers.



- The motor Mount is designed to fold back and lock the motor flat on the deck when not in use and to provide secure stowage for transport.
- The Pull Grip and Rope releases the lock bar, which automatically engages when the unit is lowered or raised into position. The Pull Grip and Rope should be used to both lower and raise the unit.
- The Motor Ramp positions the Lower Unit as it comes in contact with the nose of the mount and guides it onto the Motor Rest.
- The Yoke captures the Motor Shaft and keeps the Lower Unit centered on the Motor Rest.
- The Hold Down Strap must be used to place pressure on the motor shaft to hold the lower unit tightly against the motor rest when stowed.

### CAUTION

When tilting the motor, keep fingers clear of all hinge and pivot points and all moving parts.

### CAUTION

For safety and security, always use the hook and loop strap when the motor is in the stowed position.

## STOWING AND DEPLOYING THE MOTOR

### STOWING AND DEPLOYING THE MOTOR

#### **WARNING**

When stowing or deploying the motor, keep fingers clear of all hinge and pivot points and all moving parts. Practice proper ergonomics when stowing and deploying the motor to prevent injury.

#### **WARNING**

Moving the motor creates a variety of pinch points. The motor head will create a pinch point if the Steering Tension Knob is loosened and the motor head slides to the top of the Quick Release Depth Collar. Grasp the Shaft and prevent it from sliding all the way down to prevent the pinch point. Grasp the motor away from the area that may come in contact with another area of the motor to prevent injury. Watch for pinch points on the Tiller when moving the motor or using the telescoping handle.

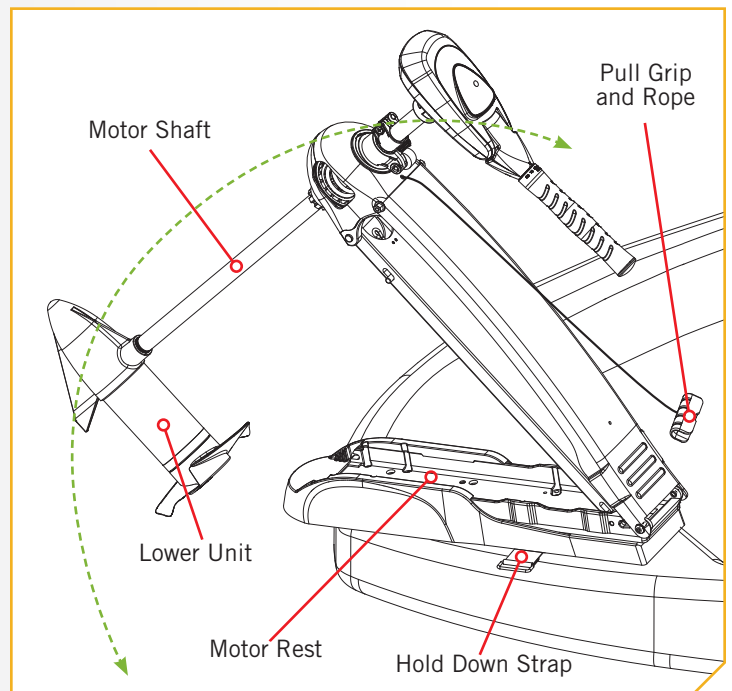
#### **WARNING**

When the motor is being transported, on water or land, it is important to place the motor completely out of water. The motor should be positioned up close to the Bowguard. The motor should be positioned on the Rails of the Motor Rest and in the stowed position. Release the Depth Collar and slide it along the Shaft until it makes contact with the Bowguard, then re-secure the Depth Collar. For added security during transport secure the Hold Down Strap. This provides a secure stow and holds the motor in place during transportation when it is subject to high levels of shock and vibration. Failure to secure the motor may result in injury or damage to the unit.

- 1**
  - a. To Deploy the Motor, simply pull back and lift the motor off of the mount with the Pull Grip and Rope. Lower the motor into the water using the Pull Grip and Rope. The motor will lock into the deployed position automatically.
  - b. To Stow the Motor, pull back and lift the motor out of the water with the Pull Grip and Rope. Lower the motor Lower Unit onto the Motor Rest using the Pull Grip and Rope. The motor will lock into the stowed position automatically. Wrap the Hold Down Strap over top of the Motor Shaft to secure the motor.

#### **WARNING**

Avoid contact with the Bowguard while stowing, deploying or operating. The Shaft and mechanisms within the Bowguard can create pinch points. Avoid contact to avoid injury. Always use the Pull Grip and Cable to stow and deploy the motor to prevent injury.



# STOWING AND DEPLOYING THE MOTOR

## › Transporting the Motor

1

- a. Before transporting the boat over water or land, stow the motor to determine where the Lower Unit rests on the Mount.

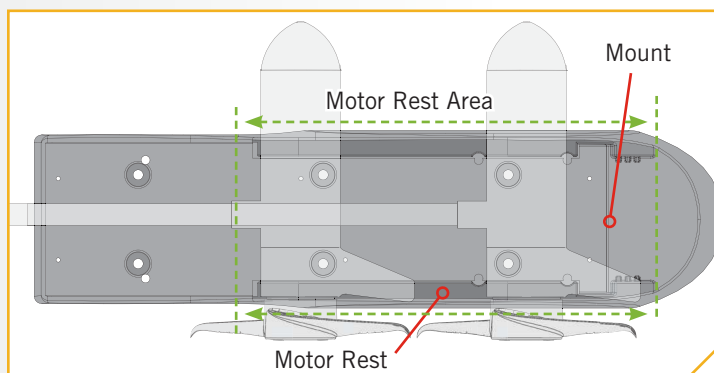
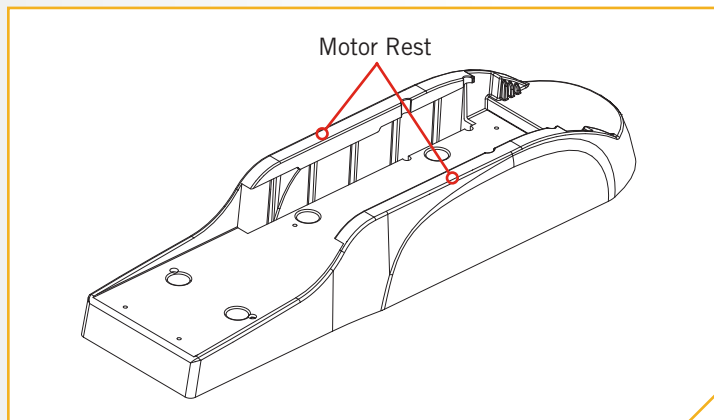
**NOTICE:** The correct positioning of the Lower Unit will place it directly on the Motor Rest.

- b. If the Lower Unit does not sit on the Motor Rest, deploy the motor so the Depth Collar can be loosened and the motor can be adjusted to allow it to rest on the Motor Rest. Adjust the shaft and then re-secure the Depth Collar.



### CAUTION

The Lower Unit should be placed on the Motor Rest within the Motor Rest Area every time the motor is transported. If the Lower Unit is improperly placed, either above or below the Motor Rest Area, damage to the Lower Unit or Shaft will occur and the Shaft will be incorrectly captured on the Rest. Not following the recommended placement for the Lower Unit will cause damage to the product and void your product warranty.



# ADJUSTING THE DEPTH OF THE MOTOR

## ADDITIONAL ADJUSTMENTS

### › Adjusting the Depth of the Motor

When setting the depth, be sure the top of the motor is submerged at least 12" to avoid churning or agitation of surface water. The propeller must be completely submerged.

1

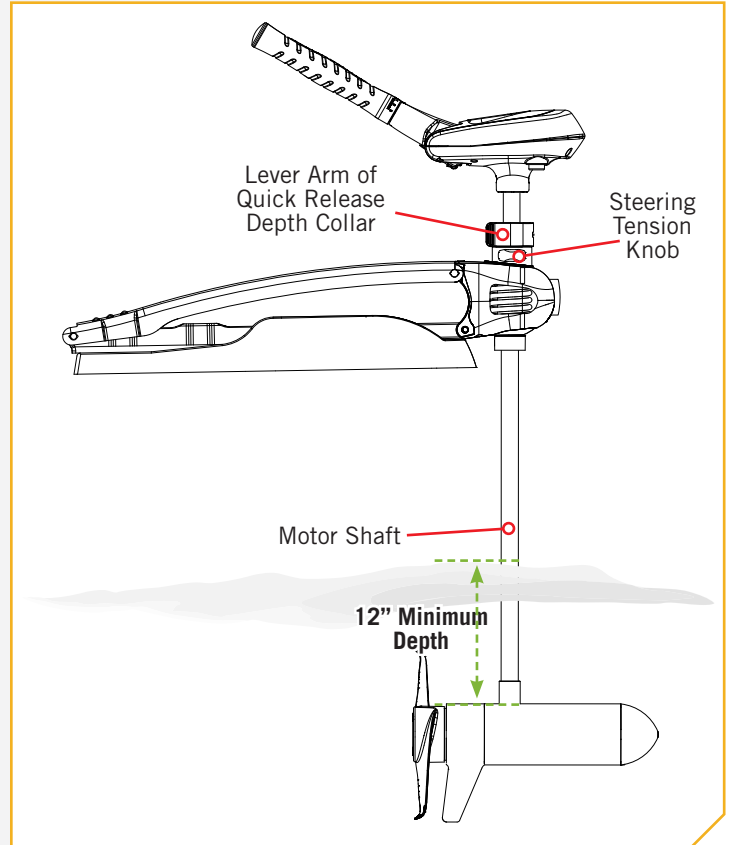
- a. Firmly grasp the Motor Shaft and hold it steady.
- b. Loosen the Steering Tension Knob.
- c. Open the Lever Arm to loosen the Quick Release Depth Collar.
- d. Vertically adjust the height of the motor to the desired position.
- e. Bring the Depth Collar to the top of the Steering Tension Knob, and close the Lever Arm to lock the Depth Collar into position.
- f. Tighten the Steering Tension Knob to achieve the desired steering resistance.

**NOTICE:** Be sure the top of the motor is submerged at least 12" below the surface of the water to avoid churning or agitation of surface water.



## WARNING

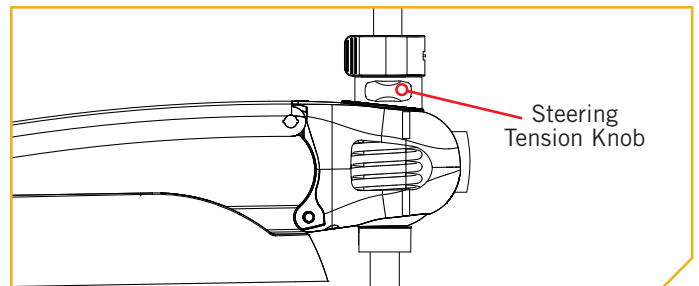
The motor head will create a pinch point if the Steering Tension Knob is loosened and the motor head slides to the top of the Quick Release Depth Collar. Grasp the Shaft and prevent it from sliding all the way down to prevent the pinch point. Grasp the motor away from the area that may come in contact with another area of the motor to prevent injury.



**NOTICE:** The tension of the Quick Release Depth Collar can be adjusted with a screw driver to obtain the proper feel.

### › Adjusting the Steering

Adjust the Steering Tension Knob to provide enough tension to allow the motor to turn freely, yet remain in any position without being held or tighten the knob to place the motor in a preset position to leave your hands free for fishing.



## ADJUSTING THE STEERING

### CONTROLLING SPEED & DIRECTION WITH THE TILLER

#### **WARNING**

Be alert for unexpected boat movement when operating the Riptide Maxxum. The boat may encounter sharp turns and jolts if the steering is changed sharply or if broad changes in speed are made while operating. Maintain balance and observe safe motor operation.

#### **WARNING**

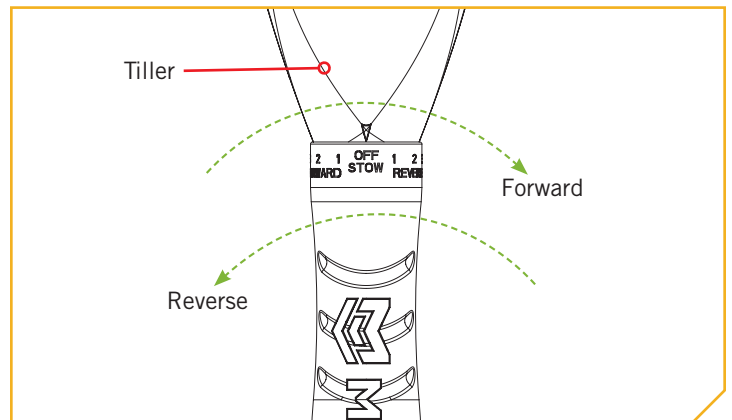
When the motor is not in use, always turn the Tiller handle to "OFF." If the handle is set or accidentally engaged or bumped and is not positioned to "OFF" the prop will turn on unexpectedly. The prop may also turn on unexpectedly if the control board or 5-position switch fails. Prevent injury from a turning propeller and always know how to quickly disengage the power or correct the Tiller to turn the prop off.

#### **WARNING**

The Riptide Maxxum is not intended to be a primary propulsion motor. Heavy use of the motor can cause elevated motor temperatures, which can be increased by an excessively hot operating environment. Use care when handling the control head to avoid burns or injuries from excessive heat. In the event that the motor or speed control would break, always be prepared to take manual control of the boat.

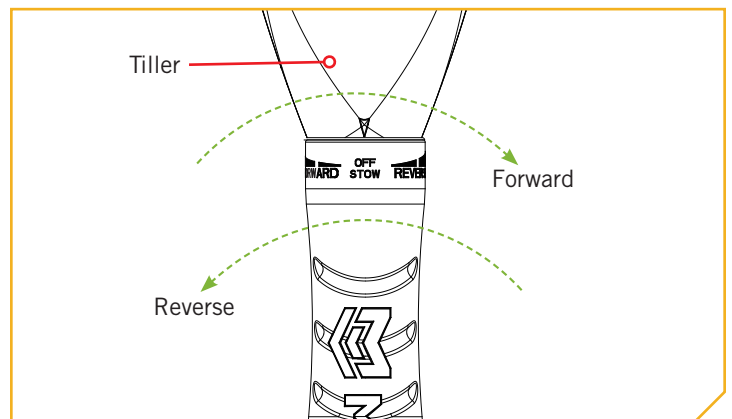
#### › **5 Speed - 55lb & 70lb Motor**

This Motor offers 5 forward and 3 reverse speeds. The speed control may be operated in either direction, forward or reverse. Turn the tiller handle counterclockwise from (OFF) to increase reverse speed and clockwise from (OFF) to increase forward speed. Speed decreases as you approach (OFF) from either direction.



#### › **Variable Speed - 80lb Motor**

This motor offers variable forward and reverse speeds. The speed control may be operated in either direction, forward or reverse. Turn the tiller handle counterclockwise from (OFF) to increase reverse speed and clockwise from (OFF) to increase forward speed. Speed decreases as you approach (OFF) from either direction.



## Adjusting the Tilt/Extend Tiller

Your trolling motor features 7 usable handle tilt positions: 45°, 30°, and 15° up and down from the 0° (horizontal) position. To use the down positions, you must first press the release button located on the left underside of the pivot handle.

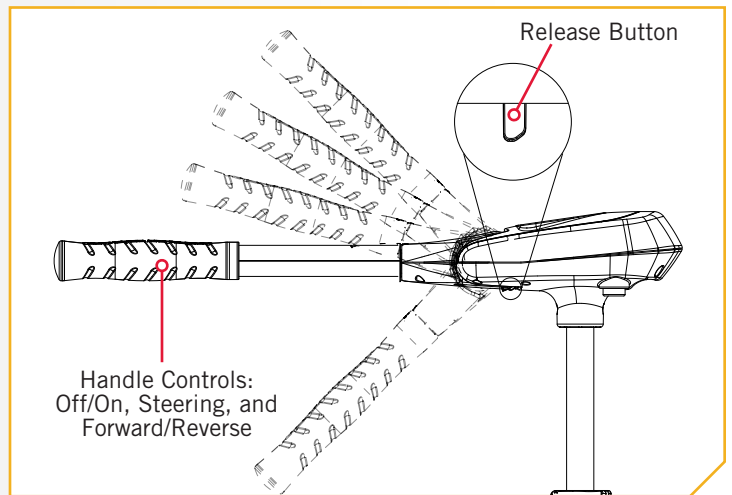
Your trolling motor handle also features a unique stow position that is useful for limiting the amount of space required for storage or travel.

1

- a. First press the release button located on the left underside of the pivot handle, then push the handle down until you feel the handle “lock in” to the stowed position. This will be almost parallel to the motor shaft.
- b. To extend the handle, pull the handle towards you to the desired position. The handle will extend a full 6 inches. To retract, push the handle in until it meets the face of the motor control head.

### **WARNING**

The Riptide Maxxum is not intended to be a primary propulsion motor. Heavy use of the motor can cause elevated motor temperatures, which can be increased by an excessively hot operating environment. Use care when handling the control head to avoid burns or injuries from excessive heat. In the event that the motor or speed control would break, always be prepared to take manual control of the boat.



### **WARNING**

The position of the Tilt/Extend Tiller may create a pinch point between it and the Control Head. Grasp the motor away from the area that may come in contact with another area of the motor to prevent injury.

### **CAUTION**

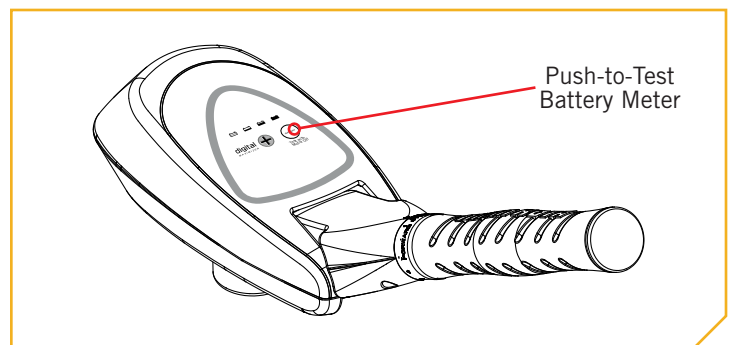
Before attempting to put the handle in the stowed position, the speed selector must be in the OFF/STOW position. Failure to do so will damage the internal mechanism.

## PUSH-TO-TEST BATTERY METER

This motor is equipped with a “push-to-test” battery meter. The LED light provides an accurate display of the remaining charge in the battery. It is only accurate when the motor is off.

The meter reads as:

- One light indicates recharge.
- Two lights indicate low charge.
- Three lights indicate good charge.
- Four lights indicate full charge.



# SERVICE & MAINTENANCE

## PROPELLER REPLACEMENT

### TOOLS AND RESOURCES REQUIRED >

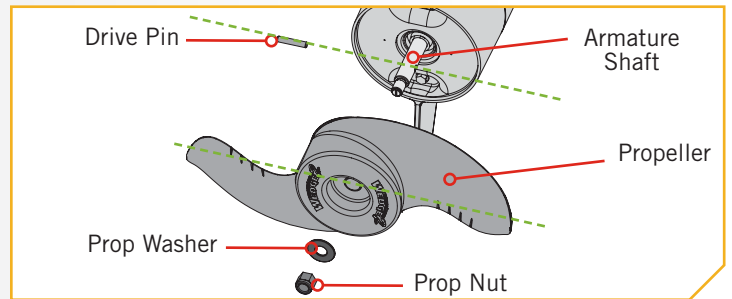
- 9/16" Open End Wrench
- Flat Blade Screwdriver

### INSTALLATION >

- a. Disconnect the motor from all sources of power prior to changing the propeller.
  - b. Hold the propeller and loosen the Prop Nut with a pliers or a wrench.
  - c. Remove the Prop Nut and Prop Washer.

### CAUTION

Disconnect the motor from the battery before beginning any prop work or maintenance.

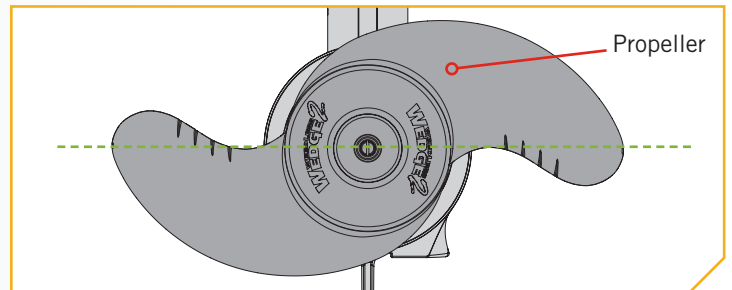


**NOTICE:** If the Drive Pin is sheared or broken, you will need to hold the shaft stationary with a flat blade screwdriver pressed into the slot on the end of the shaft while you loosen the Prop Nut.

- d. Turn the old prop to horizontal and pull it straight off. If drive pin falls out, push it back in.

### CAUTION

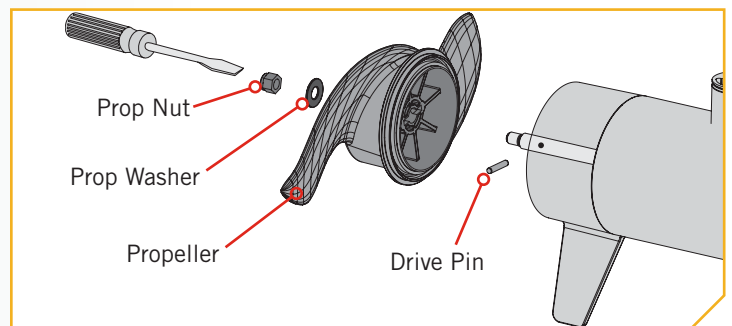
If the prop does not readily slide off, take care to not bend the Armature Shaft while removing the prop by pulling the prop evenly off the Armature Shaft.



- e. Align the new Propeller with the Drive Pin.
  - f. Install the Prop Washer and Prop Nut.
  - g. Tighten the Prop Nut 1/4 turn past snug at 25-35 inch-lbs.

### CAUTION

Do not over tighten as this can damage the prop.





## GENERAL MAINTENANCE

- After use, the entire motor should be rinsed with freshwater, then wiped down with a cloth dampened with an aqueous based silicone spray.
- The composite shaft requires periodic cleaning and lubrication for proper retraction and deployment. A coating of an aqueous based silicone spray will improve operation.
- The propeller must be inspected and cleaned from weeds and fishing line after every use. Fishing line and weeds can get behind the prop, damage the seals and allow water to enter the motor.
- Verify the prop nut is secure each time the motor is used.
- To prevent accidental damage during transportation or storage, disconnect the battery whenever the motor is off of the water. For prolonged storage, lightly coat all metal parts with an aqueous based silicone spray.
- For maximum battery life recharge the battery(s) as soon as possible after use. For maximum motor performance restore battery to full charge prior to use.
- Keep battery terminals clean with fine sandpaper or emery cloth.
- The propeller is designed to provide weed free operation with very high efficiency. To maintain this top performance, the leading edge of the blades must be kept smooth. If they are rough or nicked from use, restore to smooth by sanding with fine sandpaper.
- Inspect the Pull Grip and Cable and Hold Down Strap before each use and replace if they shows signs of wear.

## TROUBLESHOOTING

1. Motor fails to run or lacks power:
  - Check battery connections for proper polarity.
  - Make sure terminals are clean and corrosion free. Use fine sandpaper or emery cloth to clean terminals.
  - Check battery water level. Add water if needed.
2. Motor loses power after a short running time:
  - Check battery charge. If low, restore to full charge.
3. Motor is difficult to steer:
  - Loosen the steering tension knob on the bracket
  - Lubricate the composite shaft.
4. You experience prop vibration during normal operation:
  - Remove and rotate the prop 180°. See removal instructions in the Propeller Replacement section.
5. Experiencing interference with your fishfinder:
  - You may, in some applications, experience interference in your depth finder display. We recommend that you use a separate deep cycle marine battery for your trolling motor and that you power the depth finder from the starting/cranking battery. If problems still persist, call our service department at 1-800-227-6433.

**NOTICE:** For all other malfunctions, visit an Authorized Service Provider. You can search for an Authorized Service Provider in your area by visiting our Authorized Service page, found online at [minnkotamotors.com](http://minnkotamotors.com), or by calling our customer service number at 800-227-6433.

## FOR FURTHER TROUBLESHOOTING AND REPAIR



## FOR FURTHER TROUBLESHOOTING AND REPAIR

We offer several options to help you troubleshoot and/or repair your product. Please read through the options listed below.



### Buy Parts Online

You can buy parts on-line directly from our website at [minnkotamotors.com](http://minnkotamotors.com). Orders confirmed by 12 Noon Central Time, with Overnight Shipping selected, should ship the same business day if the parts are in stock. All other orders should ship within the next 3 business days, depending on the shipment method chosen, and if the parts are in stock.



### Frequently Asked Questions

We have FAQs available on our website to help answer all of your Minn Kota questions. Visit [minnkotamotors.com](http://minnkotamotors.com) and click on “Frequently Asked Questions” to find an answer to your question.



### Call Us (for U.S. and Canada)

Our consumer service representatives are available Monday – Friday between 7:00 a.m. – 4:30 p.m. CST at 800-227-6433. If you are calling to order parts, please have the 11-character serial number from your product, specific part numbers, and credit card information available. This will help expedite your call and allow us to provide you with the best consumer service possible. You can reference the parts list located in your manual to identify the specific part numbers.



### Email Us

You can email our consumer service department with questions regarding your Minn Kota products. To email your question, visit [minnkotamotors.com](http://minnkotamotors.com) and click on “Support”.



### Authorized Service Centers

Minn Kota has over 800 authorized service providers in the United States and Canada where you can purchase parts or get your products repaired. Please visit our Authorized Service Center page on our website to locate a service provider in your area.



Scan to visit Minn Kota service online.



# COMPLIANCE STATEMENTS

## ENVIRONMENTAL COMPLIANCE STATEMENT

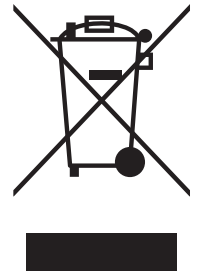
It is the intention of JOME to be a responsible corporate citizen, operating in compliance with known and applicable environmental regulations, and a good neighbor in the communities where we make or sell our products.

### WEEE DIRECTIVE

EU Directive 2002/96/EC “Waste of Electrical and Electronic Equipment Directive (WEEE)” impacts most distributors, sellers, and manufacturers of consumer electronics in the European Union. The WEEE Directive requires the producer of consumer electronics to take responsibility for the management of waste from their products to achieve environmentally responsible disposal during the product life cycle.

WEEE compliance may not be required in your location for electrical & electronic equipment (EEE), nor may it be required for EEE designed and intended as fixed or temporary installation in transportation vehicles such as automobiles, aircraft, and boats. In some European Union member states, these vehicles are considered outside of the scope of the Directive, and EEE for those applications can be considered excluded from the WEEE Directive requirement.

This symbol (WEEE wheelie bin) on product indicates the product must not be disposed of with other household refuse. It must be disposed of and collected for recycling and recovery of waste EEE. Johnson Outdoors Inc. will mark all EEE products in accordance with the WEEE Directive. It is our goal to comply in the collection, treatment, recovery, and environmentally sound disposal of those products; however, these requirements do vary within European Union member states. For more information about where you should dispose of your waste equipment for recycling and recovery and/or your European Union member state requirements, please contact your dealer or distributor from which your product was purchased.



### DISPOSAL

Minn Kota motors are not subject to the disposal regulations EAG-VO (electric devices directive) that implements the WEEE directive. Nevertheless never dispose of your Minn Kota motor in a garbage bin but at the proper place of collection of your local town council.

Never dispose of battery in a garbage bin. Comply with the disposal directions of the manufacturer or his representative and dispose of them at the proper place of collection of your local town council.

# COMPLIANCE STATEMENTS



## FCC COMPLIANCE

This device complies with Part 15 of the FCC rules. **Operation is subject to the following two conditions:**

1. This device may not cause harmful interference.
2. This device must accept any interference that may be received, including interference that may cause undesired operation.

Changes or modifications not expressly approved by Johnson Outdoors Marine Electronics, Inc. could void the user's authority to operate this equipment.

**NOTICE:** This equipment has been tested and found to comply with the limits for a Class B digital device, pursuant to part 15 of the FCC Rules. These limits are designed to provide reasonable protection against harmful interference in a residential installation. This equipment generates, uses and can radiate radio frequency energy and, if not installed and used in accordance with the instructions, may cause harmful interference to radio communications. However, there is no guarantee that interference will not occur in a particular installation. **If this equipment does cause harmful interference to radio or television reception, which can be determined by turning the equipment off and on, the user is encouraged to try to correct the interference by one or more of the following measures:**

- Reorient or relocate the receiving antenna.
- Increase the separation between the equipment and receiver.
- Connect the equipment into an outlet on a circuit different from that to which the receiver is connected.
- Consult the dealer or an experienced radio/TV technician for help.

## INDUSTRY CANADA COMPLIANCE

This product meets the applicable Industry Canada technical specifications. Operation is subject to the following two conditions: (1) this device may not cause interference, and (2) this device must accept any interference, including interference that may cause undesired operation of the device.

Changes or modifications not expressly approved by Johnson Outdoors Marine Electronics, Inc. could void the user's authority to operate this equipment.

## ENVIRONMENTAL RATINGS

Ambient operating temperature range: -10C to 50C

Ambient operating humidity range: 5% to 95%

Maximum operating altitude: 10,000 feet

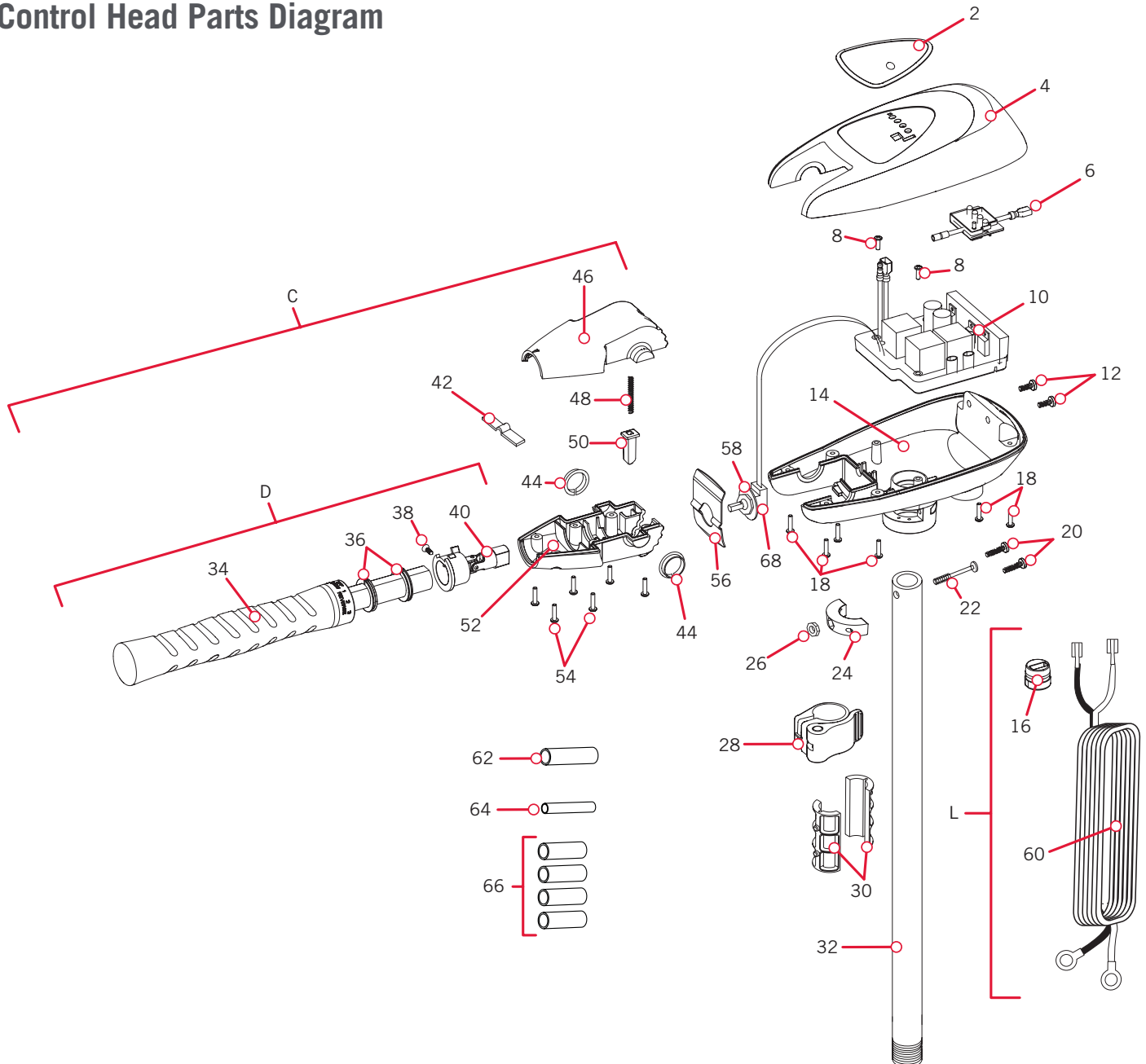
# PARTS DIAGRAM & PARTS LIST

## RIPTIDE MAXXUM 80 LATCH & DOOR - 80 LBS THRUST - 24 VOLT - 52" SHAFT

The parts diagram and parts list provides Minn Kota® WEEE compliance disassembly instructions. For more information about where you should dispose of your waste equipment for recycling and recovery and/or your European Union member state requirements, please contact your dealer or distributor from which your product was purchased. Tools required, but not limited to: flat head screwdriver, Phillips screwdriver, socket set, pliers, wire cutters.

### RIPTIDE MAXXUM 80 CONTROL HEAD >

#### > Control Head Parts Diagram



# PARTS DIAGRAM & PARTS LIST

## › Control Head Parts List

Assembly	Part #	Description	Quantity
C	2990468	HANDLE ASM, VAR SPD, FW/SW	1
D	2990466	HANDLE ASM, VAR.SPEED, TRAXXIS	1
L	2992521	LEADWIRE ASSY-HC BOW VAR 96	1
Item	Part #	Description	Quantity
2	2195667	DECAL-COVER, RT80 SM, SF, T	1
4	2060299	COVER CONTROL BOX TRAXXIS SW	1
6	2074081	BATTERY METER, 24V, SW	1
8	2043427	SCREW-#8 X 7/8 PPH TY BT SS	2
10	2184027	CTRL BRD ASY,24/36V TRXX	1
12	2303434	SCREW-#8-32 X 5/8 MACH PHCR SS	2
14	2062538	CONTROL BOX, CAST, SW	1
16	2062905	STRAIN RELIEF,HEYCO 1876	1
18	2303412	SCREW-#6-20 X 5/8 SELF TAP	6
20	2063410	SCREW-#10-32 X 3/4" CAP SS	2
22	2093400	SCREW-#10-24 X 1-7/8 PPH SS	1
24	2061529	COLLAR-CTRL BOX (SW)	1
26	2333101	NUT-HEX #10-24 UNC-2B NYL SS	1
28	2991521	CAM LOCK/DEPTH COLLAR ASY	1
30	2151532	HINGE-SLEEVE HALF-AT	2
32	2002014	TUBE (COMPOSITE) 52" WHITE	1
34	2060465	GRIP-HANDLE, RAW, TRAXXIS	1
36	2060015	BEARING, HANDLE 2990455	2
38	2063405	SCREW-#6 X 1/2" PFH SS TY AB	1
40	2994092	YOKE ASY,VAR.2990455	1
42	2302742	SPRING-DETENT(OFF) (SS)	1
44	2060005	BEARING-HANDLE PIVOT	2
46	2060900	PIVOT HANDLE, TOP	1
48	2302745	SPRING-RELEASE BUTTON (SS)	1
50	2063700	BUTTON-RELEASE	1
52	2060905	PIVOT HANDLE, BTM	1
54	2303412	SCREW-#6-20 X 5/8 SELF TAP	6
56	2062715	SPRING, DETENT, HANDLE TILT	1
58	2061700	WASHER, POT HOLDER	1
60	2090650	LEADWIRE (10 GA) MAX/AT HAND	1
62	2305415	SHRINK TUBE-.472 ID X 2.25"	1
64	2305410	SHRINK TUBE-.315 OD X 2.25"	1

▲ Not shown on Parts Diagram.

✱ This part is included in an assembly and cannot be ordered individually.

# PARTS DIAGRAM & PARTS LIST



Item	Part #	Description	Quantity
66	2305403	SHRINK TUBE-.500 IDX1.0" ADHSV	4
68	2888411	POTENTIOMETER ASSY	1
▲	2197117	MANUAL-RT/SM	1
▲	2194953	PARTS LIST-RT80/SM/L&D	1
▲	2015800	HANG TAG "CAUTION..TILT HINGE"	1
▲	2015801	HANG TAG "CAUTION..HG/DR"	1

▲ Not shown on Parts Diagram.

✘ This part is included in an assembly and cannot be ordered individually.

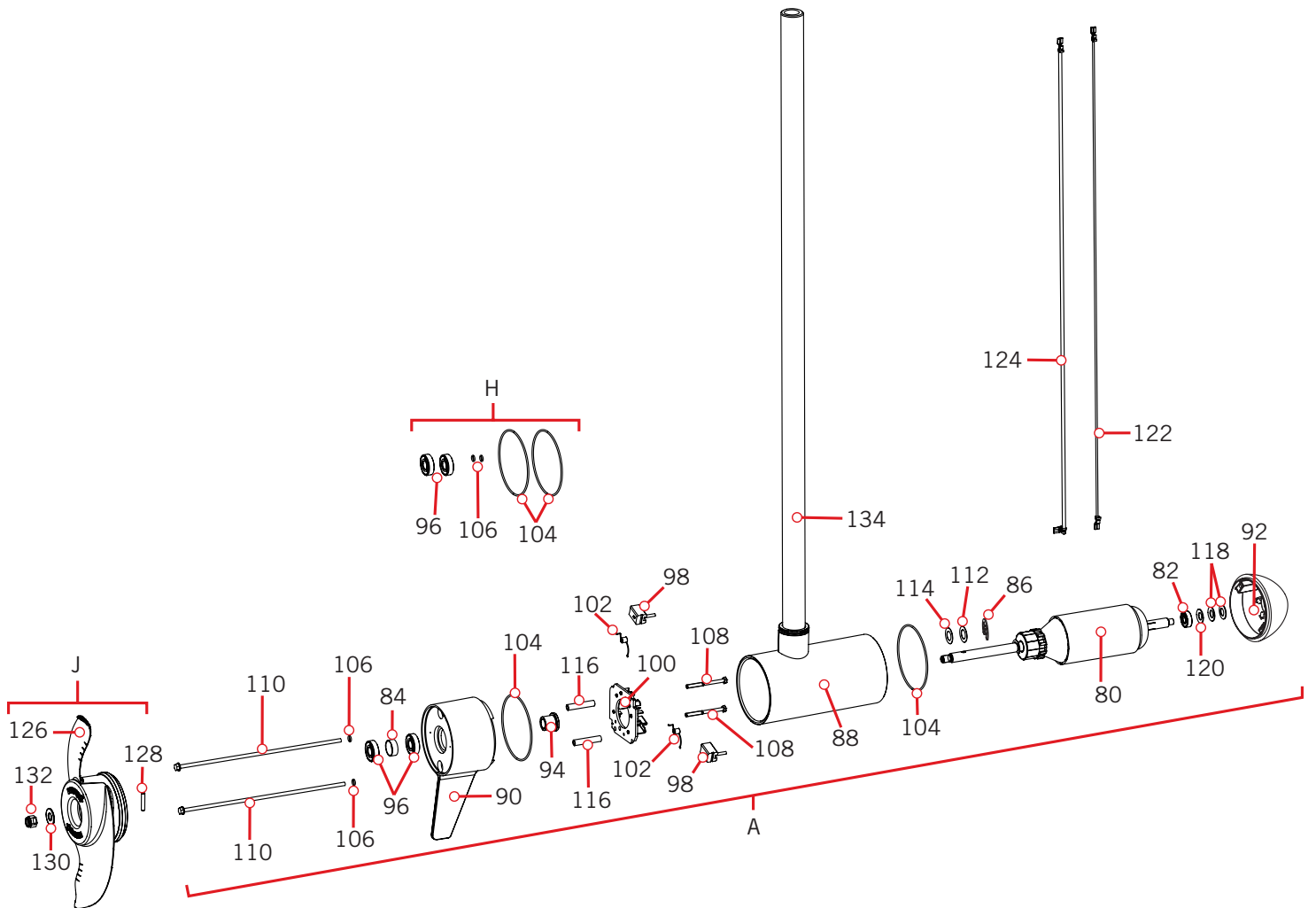


# PARTS DIAGRAM & PARTS LIST



## RIPTIDE MAXXUM 80 MOTOR >

### > Motor Parts Diagram





# PARTS DIAGRAM & PARTS LIST

## Motor Parts List

Assembly	Part #	Description	Quantity
A	2316225	MTR ASY 24V 4" VS 80# SW BS	1
H	2889460	SEAL & O-RING KIT	1
J	1378132	PROP IND 2331160 WDLS WDG II	1
Item	Part #	Description	Quantity
80	2-100-214	ARM ASSY 24V 4" 80# (WW2)	1
82	140-010	BEARING - BALL	1
84	725-095	PAPER TUBE - SEAL BORE	1
86	788-040	RETAINING RING	1
88	2-200-394	CTR HSG ASM 4.0" SW MAGNETIZED	1
90	2-300-340	BRUSH END HSG ASY SW TX/W	1
92	421-376	HSG PLN END 4" SW WHT BS	1
94	144-017	BEARING - FLANGE	1
96	880-025	SEAL	2
98	188-094	BRUSH W/TERMINAL	2
100	9-738-004	BRUSH PLATE ASSEMBLY	1
102	975-041	SPRING - TORSION	2
104	701-043	O-RING	2
106	701-009	O-RING *THRU-BOLT*	2
108	830-027	SCREW - SELF-THREAD 10-32X2.25	2
110	830-094	THRU BOLT 12-24 X10.31	2
112	990-051	WASHER - STEEL THRUST	1
114	990-052	WASHER - NYLATRON	1
116	973-025	SPACER - BRUSHPLATE	2
118	992-010	WASHER - BELLEVILLE	2
120	990-045	SPACER - THRUST	1
122	640-018	LEADWIRE BLK 10 AWG 62 1/2 XLP	1
124	640-123	LEADWIRE RED 10 AWG 64 XLP	1
126	2331160	PROP-WW2 (4") w/ADP.RING	1
128	2262658	PIN-DRIVE 1" X 3/16" S/S	1
130	2091701	WASHER-PROP (LARGE) MAX101	1
132	2093101	NUT-PROP,NYLOC,LG,MX101 3/8 SS	1
134	2002014	TUBE (COMPOSITE) 52" WHITE	1
▲	✘	RIVET-.25"	6
▲	2260730	CONNECTOR 1/4 MALE TAB QD	2
▲	230-037	CABLE CLAMP	1

▲ Not shown on Parts Diagram.

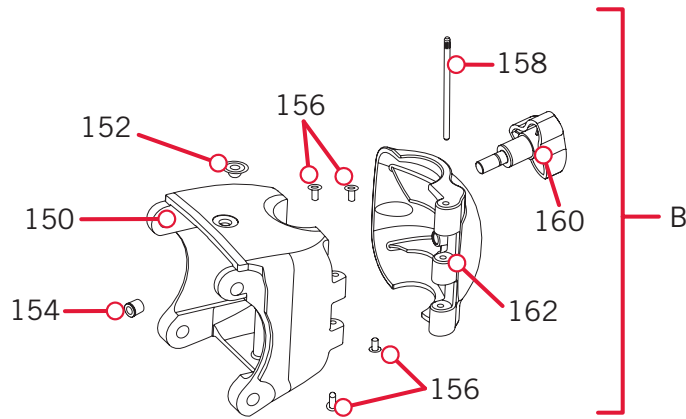
✘ This part is included in an assembly and cannot be ordered individually.

# PARTS DIAGRAM & PARTS LIST



## RIPTIDE MAXXUM 80 HINGE BASE >

### > Hinge Base Parts Diagram





► Hinge Base Parts List

Assembly	Part #	Description	Quantity
B	2991808	HINGE BASE ASSY,SW,WHT	1
Item	Part #	Description	Quantity
150	2991782	HINGE BASE W/BUSHINGS SW	1
152	2262315	EYELET-ROPE,STAINLESS STEEL	1
154	2264706	INSERT-HINGE BASE(STD MT)	1
156	2236001	BEARING NYLINER ID .188 X .220	4
158	2262642	PIN-HINGE DOOR, RT HNG/DOOR	1
160	2260902	KNOB-SOFT GRIP	1
162	2261859	HINGE DOOR, SW TXT WHITE	1

▲ Not shown on Parts Diagram.

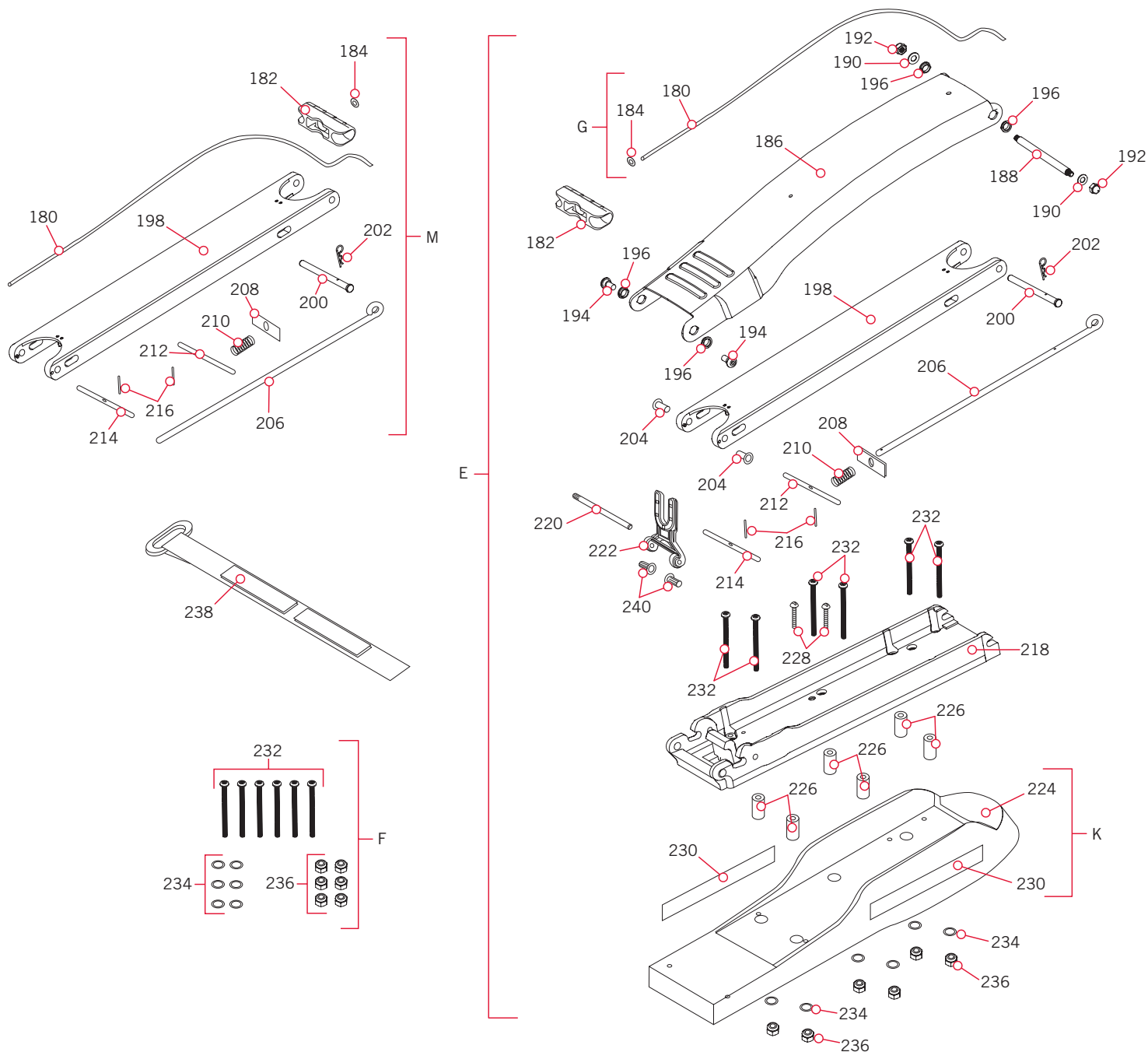
✘ This part is included in an assembly and cannot be ordered individually.



# PARTS DIAGRAM & PARTS LIST

## RIPTIDE MAXXUM 80 MOUNT

### Mount Parts Diagram



# PARTS DIAGRAM & PARTS LIST

## Mount Parts List

Assembly	Part #	Description	Quantity
E	2991660	MNT ASM MAXXUM SW STD	1
F	2994830	BAG ASSY-MAXXUM	1
G	2994886	BAG ASSY, PULL GRIP/WASHER	1
K	2999280	MTR REST ASM MAXXUM SW STD	1
M	2774322	ARM-LOWER ASY,STD,SW,WHT,SERV.	1
Item	Part #	Description	Quantity
180	2251601	ROPE (44.5"), MAXXUM MNT	1
182	2150400	PULL-GRIP	1
184	2151700	WASHER-EYE SHAFT(.562 OD) SS	1
186	2264244	ARM-UPPER STD,SW,TX,WHT,ALUM.	1
188	2262604	PIN-BWGRD,UPPER,THREADED,SS	1
190	2261722	WASHER-FLAT 5/16 S/S	2
192	2223100	NUT-5/16-18 NYLOCK S/S	2
194	2263500	BOLT, SHOULDER (MAXXUM)	2
196	2293501	BUSHING, STAINLESS STEEL	4
198	2994351	ARM-LOWER ASSY,STD,SW	1
200	2262622	PIN-CLEVIS,SS,MAXXUM BWGRD	1
202	2263011	E-RING 3/8 DIA. SHAFT*	1
204	2267318	BUSHING,FLANGE,5/16 #5L7-F-642	2
206	2153603	EYE SHAFT-2LOCKBAR STD SS	1
208	2262703	SPRING STOP MAXXUM	1
210	2152701	SPRING-(LOCKBAR) SS	1
212	2233621	LOCK BAR (300 SERIES SS)	1
214	2233623	LOCK BAR, REAR, 300 SERIES SS	1
216	2152612	SPRING-PIN (LOCKBAR) 18-8 SS	2
218	2993983	BWPLT/INSRT ASY,STD,SW-WHT	1
220	2260505	PIN-HINGE(HEADLESS) S/S	1
222	2293811	YOKE,MAX MNT-POLYPROPYLENE	1
224	2263917	MOTOR REST STD RIPTIDE WHT	1
226	2261505	SPACER, MOTOR REST	6
228	2263434	SCREW-#8-18 X 1" PPH S/S	2
230	2265708	DECAL, MOTOR REST RT MAXXUM SW	2
232	2263431	SCREW-1/4-20 X 3.5 PPH	6
234	2261713	WASHER-1/4 FLAT 18-8 SS	6
236	2263103	NUT-1/4-20 NYLOCK SS	6
238	2263804	STRAP-HOLD DWN,30.5", HOOK AND LOOP	1

▲ Not shown on Parts Diagram.

✳ This part is included in an assembly and cannot be ordered individually.

# PARTS DIAGRAM & PARTS LIST



Item	Part #	Description	Quantity
240	2261540	INSERT-THREADED,BOWPLT,MAX	2
▲	2285801	HANG TAG, HOOK AND LOOP STRAP	1
▲	2006819	LABEL-CARTON "CAUTION HEAVY"	1

▲ Not shown on Parts Diagram.

✘ This part is included in an assembly and cannot be ordered individually.



# RECOMMENDED ACCESSORIES

## ON-BOARD & PORTABLE BATTERY CHARGERS

Stop buying new batteries and start taking care of the ones you've got. Many chargers can actually damage your battery over time – creating shorter run times and shorter overall life. Digitally controlled Minn Kota chargers are designed to provide the fastest charge that protect and extend battery life.



MK212PC



MK210D



MK110PD

## TALON SHALLOW WATER ANCHOR

Introducing the all-new, sleek redesigned Talon. Talon is the only shallow water anchor with up to 15' of anchoring depth, multiple anchoring modes, and control from the bow, transom, console, remote or mobile device.



### BUILT-IN WORK LIGHT

Lets you tie lines and work from the transom any time of day — or night. Includes both white and blue LED lights with three brightness settings.



### UP TO 15' DEEP

Control more water and catch more fish with the first 15' shallow water anchor.



### BLUETOOTH® CONNECTIVITY

Lets you control Talon from your mobile device and easily update it. Also opens up communication to other control options.



### MORE CONTROL OPTIONS

- Control Panel
- Wireless Remote
- Mobile App
- Wireless Foot Switch
- Humminbird® Connectivity
- i-Pilot® & i-Pilot Link™ Remote



## MINN KOTA ACCESSORIES

We offer a wide variety of trolling motor accessories, including:

- 60-Amp Circuit Breaker
- Mounting Brackets
- Stabilizer Kits
- Extension Handles
- Battery Connectors
- Battery Boxes
- Quick Connect Plugs



minnkotamotors.com

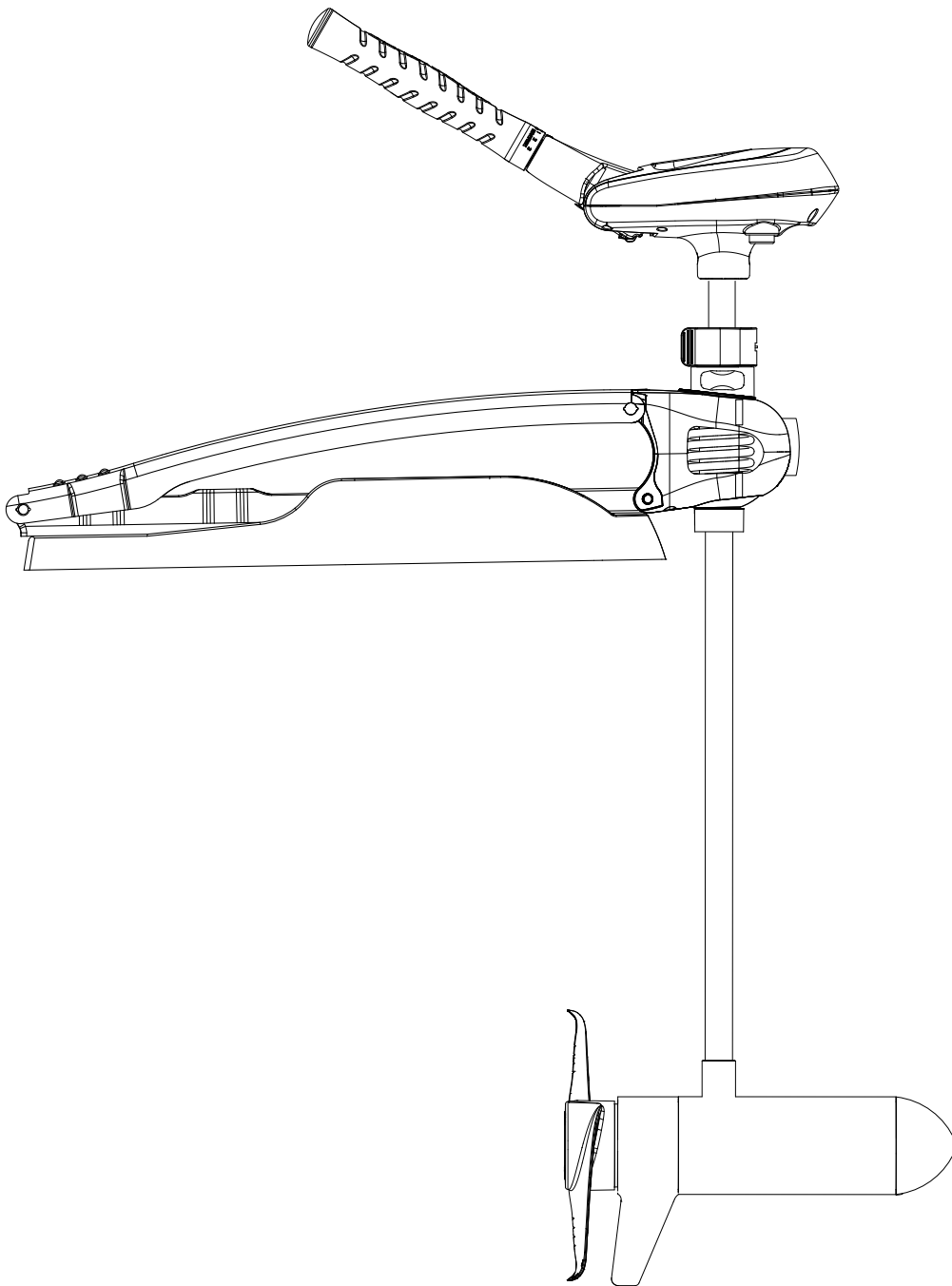


Minn Kota Consumer & Technical Service  
Johnson Outdoors Marine Electronics, Inc.  
PO Box 8129  
Mankato, MN 56001

121 Power Drive  
Mankato, MN 56001  
Phone (800) 227-6433  
Fax (800) 527-4464



©2021 Johnson Outdoors Marine Electronics, Inc.  
All rights reserved.



# **RIPTIDE® MAXXUM®**

**MOTEUR DE PÊCHE À LA TRAÎNE**

**MONTÉ SUR L'ÉTRAVE**

**Manuel de l'utilisateur**



# INTRODUCTION

## MERCI

Nous vous remercions d'avoir choisi Minn Kota. Nous sommes persuadés que vous devriez consacrer plus de temps à pêcher et moins de temps à amarrer votre embarcation. C'est pourquoi nous construisons les propulseurs électriques les plus intelligents, les plus solides et les plus faciles à utiliser. Chaque aspect d'un propulseur électrique Minn Kota est réfléchi et étudié jusqu'à ce qu'il soit digne de porter notre nom. Nous avons investi des heures incalculables de recherche et d'essais pour vous offrir les avantages caractéristiques de Minn Kota, qui vous mène vraiment « n'importe où, n'importe quand. » Notre principe est simple, nous faisons les choses selon les règles. Nous sommes Minn Kota. Et nous ne cesserons jamais de vous aider à pêcher plus de poissons.

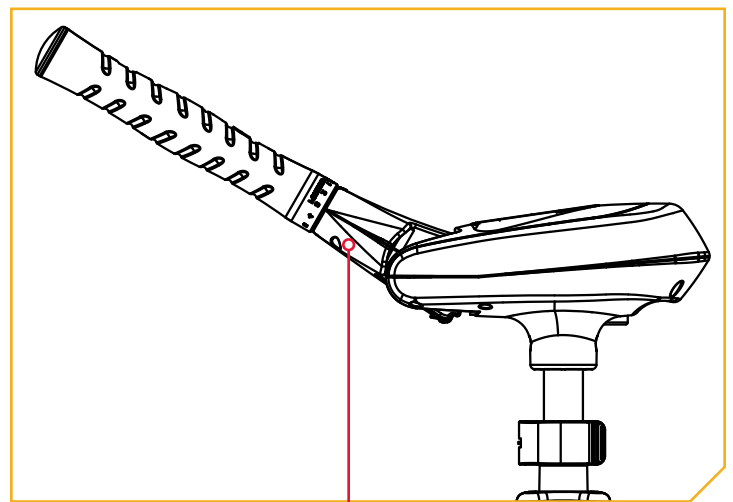
## ENREGISTREMENT

N'oubliez pas de conserver votre reçu et d'enregistrer immédiatement votre propulseur électrique. Une fiche d'enregistrement est fournie avec votre moteur; vous pouvez également effectuer l'enregistrement sur notre site Web à [minnkotamotors.com](http://minnkotamotors.com).

## NUMÉRO DE SÉRIE

Le numéro de série à 11 caractères Minn Kota est très important. Cela permet de déterminer le modèle spécifique et l'année de fabrication. Lorsque vous contactez le service à la clientèle ou que vous enregistrez votre article, vous aurez besoin du numéro de série de votre article. Nous vous suggérons d'écrire le numéro de série afin qu'il soit disponible à des fins de référence future.

**AVIS :** Le numéro de série de votre Riptide Maxxum se trouve sous la barre d'inclinaison.



## INFORMATIONS SUR LE MOTEUR (à des fins de référence par le client seulement)

Modèle : \_\_\_\_\_

Numéro de série : \_\_\_\_\_

Date de l'achat : \_\_\_\_\_

Magasin où l'achat a été effectué : \_\_\_\_\_

**AVIS :** Ne pas retourner le moteur Minn Kota au détaillant. Le détaillant n'est pas autorisé à réparer ou à remplacer cet appareil. Pour le service : communiquer avec Minn Kota au (800) 227-6433; retourner le moteur au Centre de service de l'usine de Minn Kota; envoyer ou apporter le moteur à un centre de service agréé de Minn Kota. Une liste de centres de service agréés est disponible sur notre site Web, à [minnkotamotors.com](http://minnkotamotors.com). Pour obtenir un service au titre de la garantie, y compris toutes les options susmentionnées, veuillez inclure la preuve d'achat, le numéro de série et la date de l'achat.

# TABLE DES MATIÈRES

<b>CONSIGNES DE SÉCURITÉ</b> .....	43
<b>GARANTIE</b> .....	44
<b>CONNAISSEZ VOTRE BATEAU</b> .....	45
<b>CARACTÉRISTIQUES</b> .....	46
<b>INSTALLATION</b> .....	47
Installation du moteur au support .....	47
Installation du support de montage sur étrave .....	49
Installation de la courroie de retenue.....	50
<b>INSTALLATION DES BATTERIES ET DU CÂBLAGE</b> .....	51
Grément de l'embarcation et installation du produit.....	51
Tableau des dimensions de gabarit des conducteurs et disjoncteurs.....	51
Comment sélectionner les batteries adéquates .....	52
Autres points à considérer .....	52
Connexion des batteries .....	53
Branchement des batteries en série.....	54
<b>SCHÉMA DE CÂBLAGE DU MOTEUR</b> .....	55
<b>UTILISATION ET RÉGLAGE DU MOTEUR</b> .....	57
Caractéristiques du support .....	57
Arrimage et déploiement du moteur .....	58
Réglages supplémentaires .....	59
Réglage de la profondeur du moteur.....	60
Réglage du gouvernail.....	61
Contrôle de la vitesse et de la direction à l'aide de la barre .....	61
Réglage de la barre d'inclinaison/d'extension .....	62
Indicateur d'état de batterie « Appuyer pour tester ».....	62
<b>SERVICE ET ENTRETIEN</b> .....	63
Remplacement de l'hélice .....	63
Entretien général .....	64
Dépannage.....	64
Pour d'autres services de dépannage et de réparation .....	65
<b>DÉCLARATIONS DE CONFORMITÉ</b> .....	66
<b>SCHÉMA DES PIÈCES ET LISTE DES PIÈCES</b> .....	68

# CONSIGNES DE SÉCURITÉ

Veillez lire attentivement le manuel de l'utilisateur. Suivez toutes les instructions, et respectez toutes les consignes de sécurité et mises en garde. L'utilisation de ce moteur n'est autorisée que pour les personnes qui ont lu et compris ces consignes pour l'utilisateur. Les personnes mineures peuvent utiliser ce moteur uniquement sous la supervision d'un adulte.

## AVERTISSEMENT

Vous seul êtes responsable de la navigation sécuritaire et prudente sur votre bateau. Nous avons conçu votre Minn Kota pour qu'il soit un outil précis et fiable qui vous permettra d'améliorer l'utilisation de votre bateau et d'accroître votre capacité de pêcher des poissons. Ce produit ne vous exonère pas de la responsabilité de naviguer en toute sécurité avec votre bateau. Vous devez éviter les dangers liés à la navigation et toujours exercer une veille permanente afin de pouvoir réagir au fur et à mesure que les situations se présentent. Vous devez toujours être prêt à reprendre le contrôle manuel de votre bateau. Apprenez à utiliser votre Minn Kota dans une zone exempte de dangers et d'obstacles.

## AVERTISSEMENT

Ne faites jamais fonctionner le moteur hors de l'eau, puisque cela entraînerait des blessures causées par l'hélice en rotation. Le moteur doit être débranché de la source d'alimentation lorsqu'il n'est pas utilisé ou lorsqu'il est hors de l'eau. Au moment de brancher les câbles d'alimentation du moteur à la batterie, veiller à ce qu'ils ne soient pas entortillés ou exposés au frottement, puis les placer de telle manière que personne ne risque de trébucher. Avant d'utiliser le moteur, s'assurer que l'isolant des câbles d'alimentation n'est pas endommagé. Ne pas tenir compte de ces mesures de sécurité peut entraîner des courts-circuits avec les batteries et/ou le moteur. Toujours débrancher le moteur des batteries avant le nettoyage ou la vérification de l'hélice. Éviter de submerger complètement le moteur, car l'eau pourrait pénétrer dans l'appareil inférieur par la tête de contrôle et l'arbre. Si le moteur est utilisé alors que de l'eau est présente dans l'appareil inférieur, ce dernier pourrait subir des dommages considérables. Ces dommages ne seront pas couverts par la garantie.

## AVERTISSEMENT

Veillez à ce que ni vous ni d'autres personnes ne vous approchiez trop près de l'hélice en rotation, que ce soit seulement avec une partie du corps ou des objets. Le moteur est puissant et pourrait provoquer des situations périlleuses ou des blessures, pour vous ou les autres. Lorsque le moteur est en marche, se méfier des objets flottants ou des personnes qui pourraient être en train de nager. Les personnes, dont les réactions ou la capacité à faire fonctionner le moteur est/sont affaiblie(s) par l'alcool, la drogue, les médicaments ou d'autres substances, ne sont pas autorisées à utiliser ce moteur. Ce moteur n'est pas adapté à l'utilisation dans de forts courants. Le niveau de pression sonore constant du moteur au moment de l'utilisation est inférieur à 70 dB (A). Le niveau de vibration général ne dépasse pas 8,2 pi/s<sup>2</sup> (2,5 m/s<sup>2</sup>).

## AVERTISSEMENT

Lorsque vous remontez ou abaissez le moteur, gardez vos doigts loin de toutes charnières et tous points de pivot ainsi que de toutes pièces mobiles. En cas d'opération imprévue, retirez les câbles d'alimentation à la batterie.

## AVERTISSEMENT

Il est recommandé d'utiliser exclusivement les accessoires approuvés par Johnson Outdoors avec votre moteur Minn Kota. L'utilisation d'accessoires non approuvés, y compris pour monter ou contrôler votre moteur, pourrait causer des dommages, un fonctionnement inattendu du moteur et des blessures. Veillez à utiliser le produit ainsi que les accessoires approuvés, y compris les télécommandes, en toute sécurité et de la manière indiquée pour éviter les accidents ou un fonctionnement inattendu du moteur. Ne retirez pas les pièces installées en usine, y compris les couvercles, boîtiers et protections du moteur et des accessoires.

# GARANTIE

## GARANTIE LIMITÉE DES MOTEURS DE PÊCHE À LA TRAÎNE EN EAU SALÉE MINN KOTA

Johnson Outdoors Marine Electronics, Inc. (« JOME ») offre la garantie limitée suivante uniquement à l'acheteur au détail initial. La garantie n'est pas transférable.

### Garantie Limitée De Deux Ans De Minn Kota Sur L'ensemble Du Produit

JOME garantit à l'acheteur au détail initial seulement que son nouveau moteur de pêche à la traîne en eau salée Minn Kota est exempt de défauts résultant d'un vice de fabrication et de main-d'œuvre pour une période de deux (2) ans suivant la date d'achat. JOME se réserve le droit de réparer ou de remplacer, au choix et gratuitement, toute pièce pouvant s'avérer défectueuse pendant la durée de la présente garantie. Cette réparation ou ce remplacement est l'unique et exclusive responsabilité de JOME et constitue le seul recours de l'acheteur pour tout manquement à la présente garantie.

### Garantie À Vie Limitée De Minn Kota Sur L'arbre Composite

JOME garantit uniquement à l'acheteur au détail initial que l'arbre composite de son propulseur électrique Minn Kota est exempt de défauts résultant d'un vice de fabrication et de main-d'œuvre pouvant survenir au cours de la durée de vie de l'acheteur initial. JOME fournira, gratuitement, un arbre composite neuf pour remplacer tout arbre composite pouvant s'avérer défectueux pendant la durée de la présente garantie. Fournir un arbre composite neuf sera la seule et exclusive responsabilité de JOME et le seul et unique recours de l'acheteur pour tout manquement à la présente garantie; **et l'acheteur sera responsable de l'installation ou du coût de la main-d'œuvre pour l'installation de tout arbre composite neuf, fourni par JOME.**

### Exclusions & Limitations

La présente garantie limitée ne s'applique pas aux produits qui ont été utilisés en eau salée, en eau saumâtre ou à des fins commerciales ou locatives. Cette garantie ne couvre pas l'usure normale, les imperfections qui n'affectent pas le fonctionnement du moteur, ni les dommages causés par les accidents, l'abus, l'altération, la modification, les dommages durant le transport, les désastres naturels, la négligence de l'utilisateur, l'utilisation abusive, un soin ou un entretien inadéquat. **LES DOMMAGES CAUSÉS PAR L'UTILISATION DE PIÈCES DE REMPLACEMENT NON CONFORMES AUX SPÉCIFICATIONS DE CONCEPTION DES PIÈCES ORIGINALES NE SONT PAS COUVERTS PAR LA PRÉSENTE GARANTIE LIMITÉE.** Le coût de l'entretien normal ou des pièces de rechange qui ne contreviennent pas à la garantie limitée incombe à l'acheteur. Avant utilisation, l'acheteur doit déterminer si le produit convient à l'emploi prévu et assume tous les risques et responsabilités connexes. Toute assistance fournie par JOME à l'acheteur ou au nom de ce dernier hors du cadre des modalités, des restrictions et des exclusions de la présente garantie limitée ne constitue pas une renonciation à l'égard de telles modalités, restrictions ou exclusions, et une telle assistance n'aura pas pour effet de prolonger ni de restaurer la garantie. JOME ne remboursera aucune dépense encourue par l'acheteur dans le cadre de la réparation, de la correction ou du remplacement de pièces ou de produits défectueux, à l'exception des dépenses engagées sur consentement écrit préalable de JOME. **LA RESPONSABILITÉ GLOBALE DE JOME À L'ÉGARD DES PRODUITS COUVERTS PAR LA GARANTIE EST LIMITÉE À UN MONTANT ÉQUIVALENT AU PRIX D'ACHAT PAYÉ POUR LE PRODUIT EN QUESTION.**

### Information Sur Le Service Minn Kota

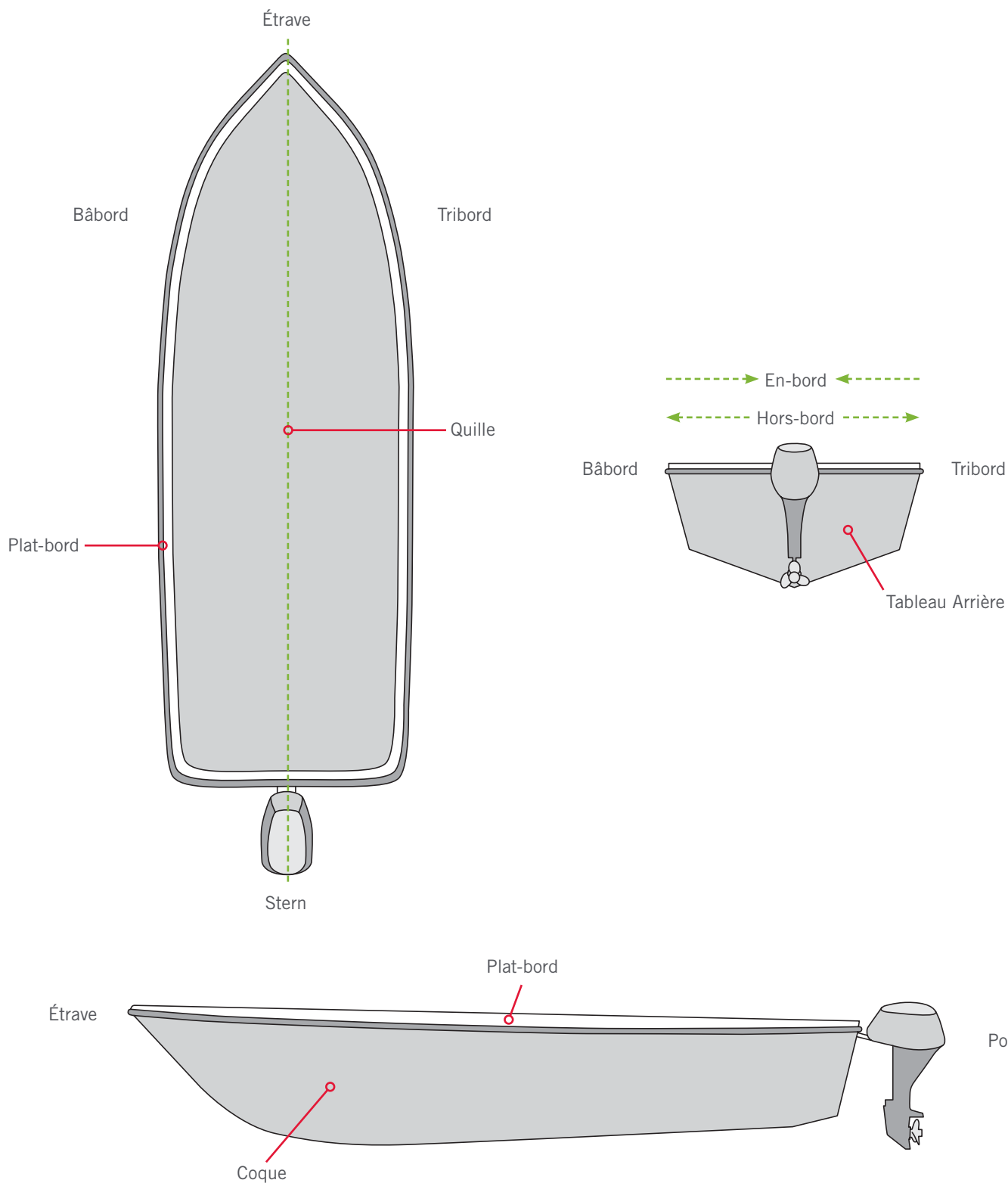
Pour obtenir le service au titre de la garantie aux États-Unis, le produit jugé défectueux et la preuve d'achat originale (comportant la date d'achat), doivent être présentés à un centre de service agréé Minn Kota ou au centre de service de l'usine de Minn Kota à Mankato, au Minnesota. Tous les frais encourus pour des appels de service, de transport ou d'expédition à destination ou à partir du centre de service agréé ou de l'usine Minn Kota, de main-d'œuvre pour transporter, retirer, réinstaller ou regréer les articles retirés pour le service de garantie, ou tout autre élément similaire, sont sous la seule et unique responsabilité unique et exclusive de l'acheteur. Les articles achetés à l'extérieur des États-Unis doivent être retournés, port payé avec la preuve d'achat (y compris la date d'achat et le numéro de série), à tout centre de service agréé Minn Kota dans le pays de l'achat. Le service au titre de la garantie peut être obtenu en communiquant avec le centre de service agréé de Minn Kota ou l'usine au +1 (800) 227-6433 ou par courriel à l'adresse suivante [service@minnkotamotors.com](mailto:service@minnkotamotors.com). **Les produits réparés ou remplacés seront garantis pour la durée restante de la période de garantie initiale [ou pendant 90 jours à compter de la date de réparation ou de remplacement, la période la plus longue étant retenue]. Tout produit retourné aux fins de services en vertu de la garantie qui, selon JOME, n'est pas couvert par la garantie limitée ou n'y contrevient pas sera facturé pour les services rendus au taux horaire de main-d'œuvre affiché en vigueur, pour une facturation minimale d'une heure.**

**AVIS :** Ne pas retourner l'article Minn Kota au détaillant. Le détaillant n'est pas autorisé à le réparer ou à le remplacer.

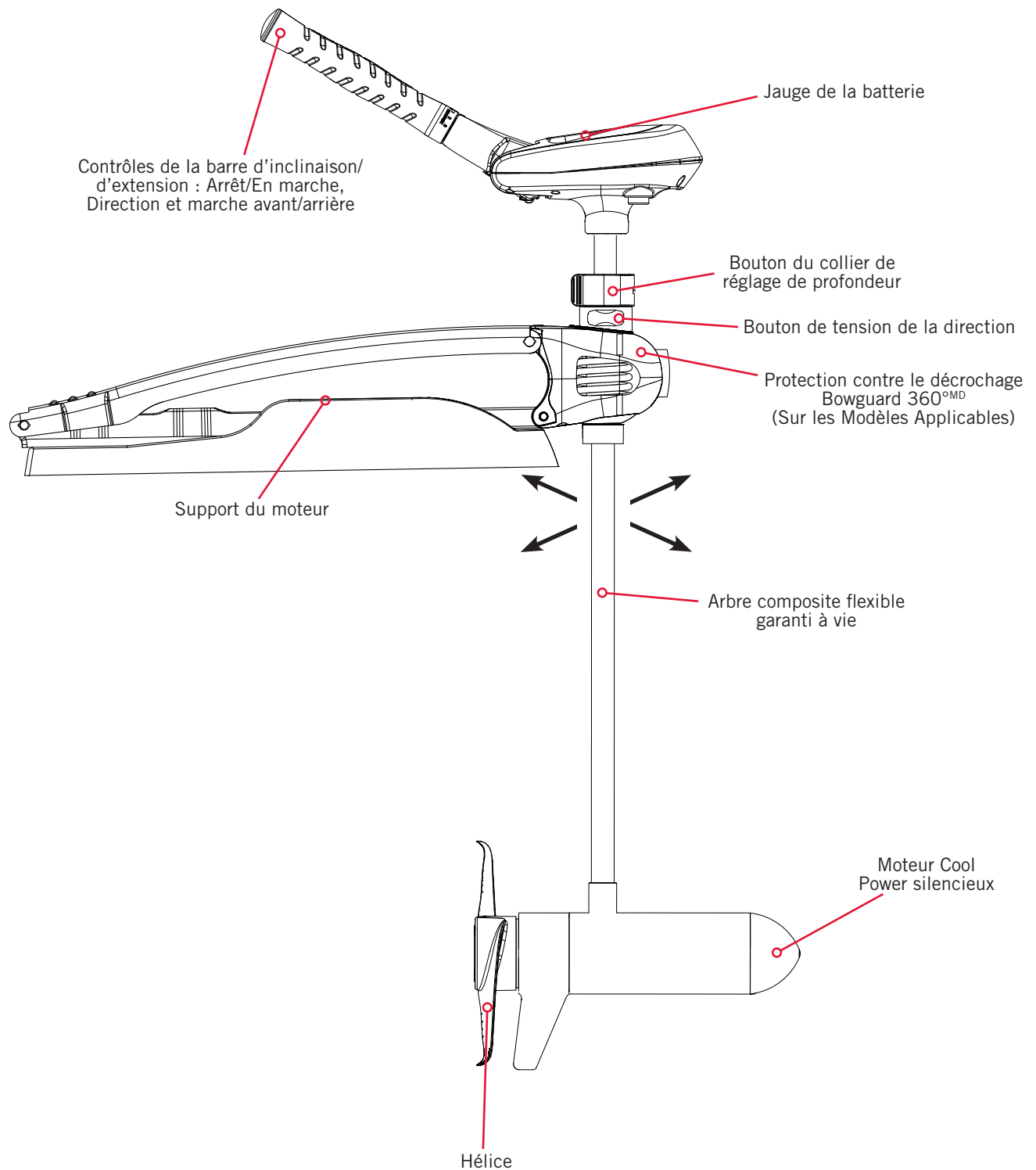
**AVIS :** **IL N'Y A AUCUNE GARANTIE EXPRESSE AUTRE QUE LES PRÉSENTES GARANTIES LIMITÉES. AUCUNE GARANTIE IMPLICITE, Y COMPRIS QUELQUE GARANTIE IMPLICITE DE QUALITÉ MARCHANDE OU D'ADÉQUATION À UN USAGE PARTICULIER, NE SE PROLONGERA AU-DELÀ DE LA DURÉE DE LA PRÉSENTE GARANTIE LIMITÉE EXPRESSE. JOME NE POURRA EN AUCUNE FAÇON ÊTRE TENUE RESPONSABLE DES DOMMAGES PUNITIFS, INDIRECTS, ACCESSOIRES, CONSÉCUTIFS OU PARTICULIERS. Sans limiter la portée de ce qui précède, JOME décline toute responsabilité en cas de perte d'utilisation du produit, perte de temps, d'inconvénient et d'autre dommage.**

Certains états ne permettent pas de limites sur la durée d'une garantie implicite ou l'exclusion ou limitation des dommages accessoires ou indirects, donc, les limitations ou exclusions ci-dessus peuvent ne pas s'appliquer à vous. La présente garantie vous donne des droits légaux spécifiques et vous pouvez également bénéficier d'autres droits qui varient d'un État à l'autre.

# CONNAISSEZ VOTRE BATEAU



# CARACTÉRISTIQUES



**AVIS :** Les spécifications peuvent faire l'objet de modifications sans préavis. Le schéma est fourni aux fins de référence seulement et peut différer de votre moteur actuel.

# INSTALLATION

## OUTILS ET RESSOURCES NÉCESSAIRES >

- (2) clés de 1/2 po (12,7 mm)
- Mèche de 9/32 po (7,14 mm)
- Tournevis à douille de 3/8 po (9,5 mm)
- Une deuxième personne pour vous aider avec l'installation
- Pincés standard ou à bec pointu
- Lime ou papier sablé
- Scie à main

## INSTALLATION >

### INSTALLATION DU MOTEUR AU SUPPORT

1



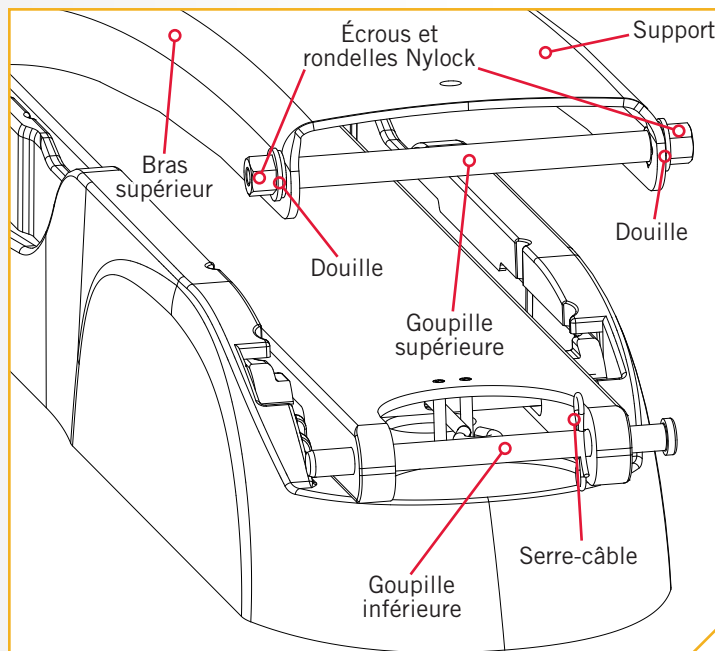
## AVERTISSEMENT

Assurez-vous que les câbles d'alimentation de la batterie sont déconnectés, ou que le disjoncteur, le cas échéant, est en position « arrêt ».

- a. Avec le support fermé, utilisez les deux clés de 1/2 po (12,7 mm) pour retirer un des deux rondelles et écrous Nylock de la goupille supérieure. Retirez ensuite la goupille du support.

**AVIS :** les deux douilles peuvent être retirées de la goupille supérieure. Le cas échéant, conservez-les pour le réassembler.

- b. À l'aide de pincés, retirez l'agrafe-ressort ou le serre-câble de la goupille inférieure. Les modèles pour eaux douces auront une agrafe-ressort et les modèles d'eaux salées auront un serre-câble. Retirez ensuite la goupille inférieure du support.



**AVIS :** ce moteur pèse environ 60 lb (27 kg). Pour l'installation, nous recommandons de vous faire aider par une deuxième personne.

# INSTALLATION

2

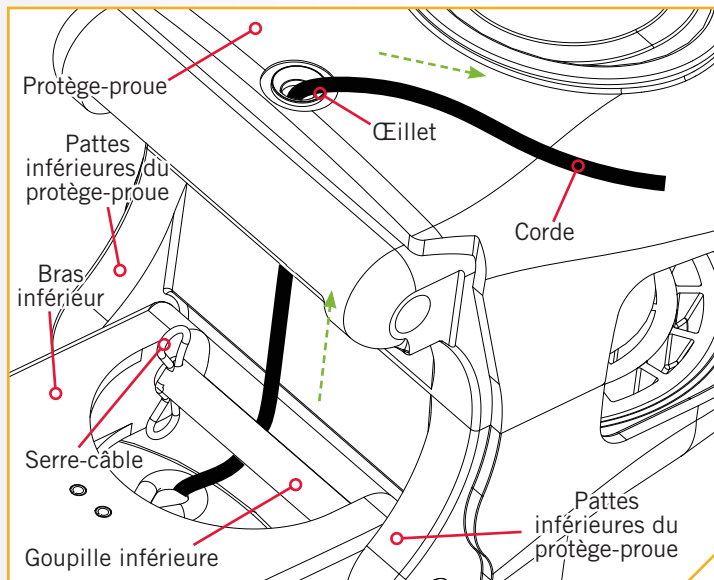
- c. Ouvrez le bras supérieur. Tournez-le pour l'éloigner afin d'accéder au bras inférieur.



## AVERTISSEMENT

Abaissez délicatement le protège-proue en place pour éviter de créer un point de pincement entre le protège-proue et le support.

- d. Alignez le bras inférieur et les pattes protège-proue inférieures. Lorsqu'ils sont alignés, insérez la goupille inférieure.
- e. Réinstallez les agrafes-ressort ou les serre-câbles dans la goupille inférieure. Les modèles pour eaux douces auront une agrafe-ressort et les modèles d'eaux salées auront un serre-câble.
- f. Faites passer la corde sous la goupille inférieure et dans l'œillet du protège-proue.

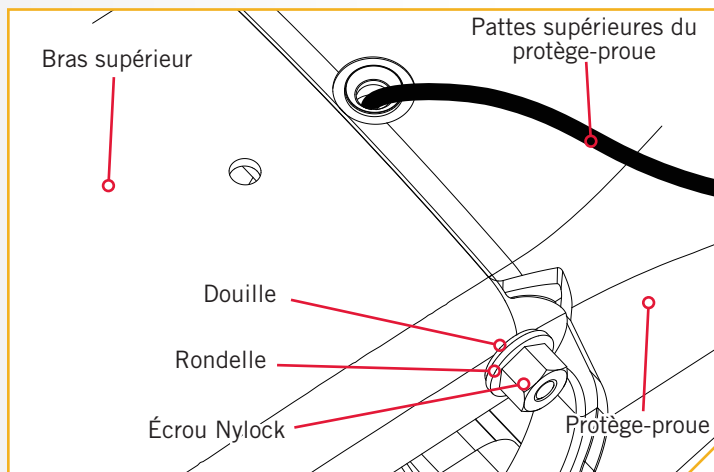


3

- g. Tournez le bras supérieur pour le remettre en place.
- h. Alignez les trous du bras supérieur aux pattes supérieures du protège-proue et installez la goupille supérieure.

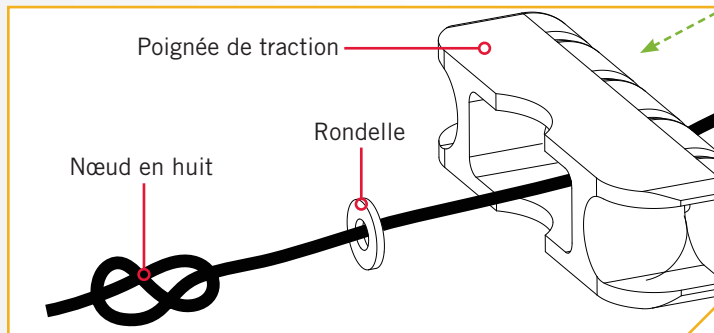
**AVIS :** les deux douilles peuvent être retirées de la goupille supérieure. Remontez-les dans le bras supérieur en vous assurant que les « repères » des empiècements sont alignés avec les « repères » découpés dans le bras supérieur.

- i. Réinstallez la rondelle et l'écrou Nylock, et serrez.



4

- j. Faites passer la corde dans la poignée de traction et la petite rondelle. Fixez-le à l'aide d'un nœud en huit en huit.





## Installation du support de montage sur étrave

Réviser les directives suivantes avant de commencer l'installation du support de montage sur étrave.

**AVIS :** Nous vous conseillons de vous faire aider d'une deuxième personne pour cette installation.

- Le moteur devrait être monté aussi près que possible de la quille ou de l'axe du bateau lorsqu'il est déployé.
- Assurez-vous que la zone de l'étrave sous l'emplacement choisi est libre et dégagée pour le perçage.
- Assurez-vous que le support du moteur est positionné assez loin du bord du bateau. Le moteur ne doit rencontrer aucune obstruction lorsqu'il est dans l'eau ou relevé.

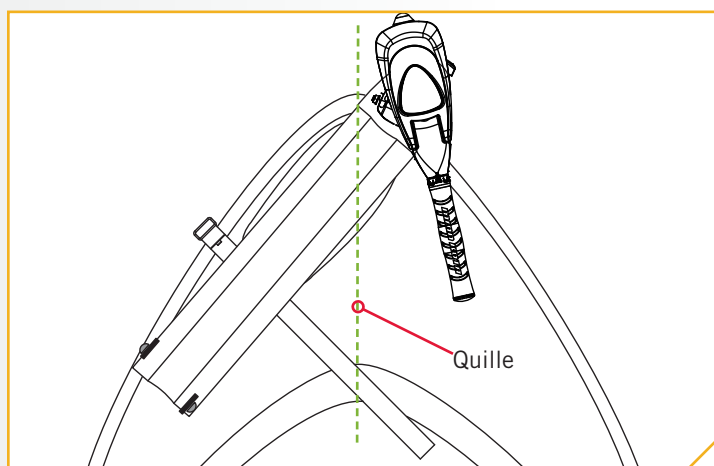
1

- a. Réviser les facteurs de montage au début de la section d'installation. Placez le support aussi près que possible de l'axe central ou de la quille du bateau, avec le moteur en position arrimée, sur le pont du bateau. Vérifiez l'emplacement avec le moteur dans la position arrimée et déployée.



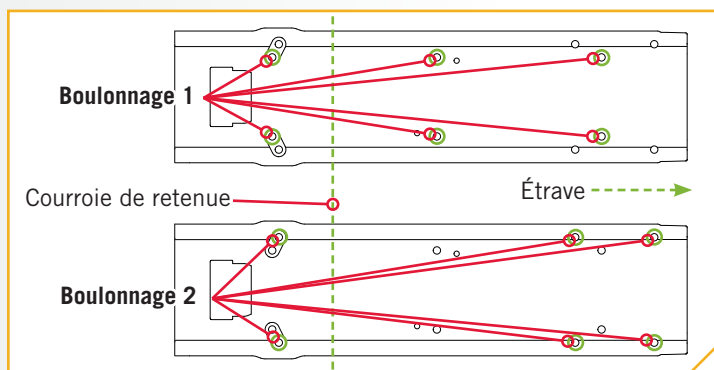
### AVERTISSEMENT

Pour l'installation, ne retirez pas l'arbre/le moteur du protège-proue. Le ressort du protège-proue est sous tension et doit toujours rester fixé. Les modèles avec loquet et porte peuvent être retirés du support, au besoin.



2

- b. Une fois que le support est en position, déterminez quel boulonnage utiliser. Marquez au moins 4 des trous (2 de chaque côté) dans la contre-étrave et percez-les avec une mèche de 9/32 po (7,14 mm). Un ou l'autre modèle peut servir lors de l'installation du moteur. Le boulonnage 1 est celui des moteurs Minn Kota 3 po (76,2 mm) et le boulonnage 2 est celui courant de 4 po (101,6 mm).
- c. Installez la courroie de retenue entre le moteur et le pont du bateau, entre le deuxième et le troisième trou de montage. Le côté à boucles et à crochets de la courroie devrait être vers le bas, et la boucle en métal devrait être du côté hors-bord.
- d. Montez la plaque sur l'étrave à travers les trous percés à l'aide des boulons de 1/4 po-20 x 3-1/2 po (6,4 mm à 20 x 88,9 mm), des rondelles et des écrous fournis.



**AVIS :** Pour prévenir le grippage de la quincaillerie en acier inoxydable, n'utilisez pas d'outils haute vitesse pour l'installation. Le fait de mouiller les vis ou d'appliquer un antigrippant peut aider à prévenir qu'elles grippent.

**AVIS :** si possible, fixez tous les boulons, écrous et rondelles de fixation.

# INSTALLATION

## › Installation de la courroie de retenue

La courroie de retenue n'est pas incluse pour tous les modèles.

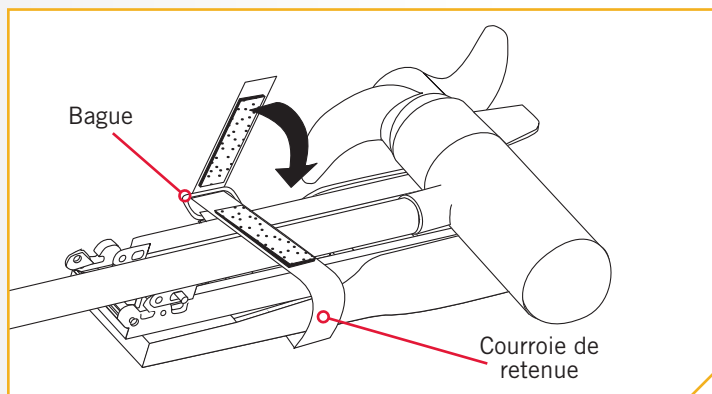
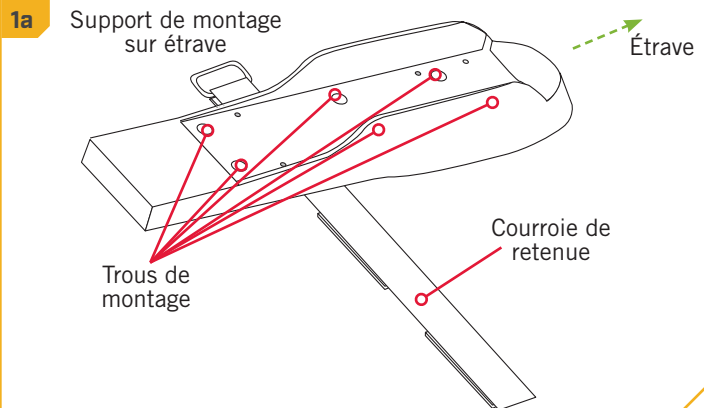
**1**

- a. Avant de monter le moteur de traîne, placez la courroie de retenue sous le support de montage sur étrave, entre les trous de montage près de l'arrière du support du moteur, avec le côté à boucles et à crochets de la courroie vers le bas.
- b. Fixez le support de montage sur étrave avec les boulons de fixation pour saisir la courroie de retenue, comme indiqué dans la section Installation du support de montage sur étrave de ce manuel.
- c. Pour le fixer, arrimez le moteur, ensuite tirez la courroie de retenue par l'anneau rectangulaire jusqu'à ce qu'elle soit serrée. Poussez le coussinet à boucles de la courroie dans le coussinet à crochets et fixez-le. La courroie de retenue doit être utilisée toutes les fois que moteur est arrimé.



### AVERTISSEMENT

Lorsque le moteur est transporté sur l'eau ou la terre, il est important de le placer complètement hors de l'eau. Le moteur doit être placé près du protège-proue. Le moteur doit être placé sur les rails du support du moteur et dans la position arrimée. Relâchez la bague de profondeur et glissez-la sur l'arbre jusqu'à ce qu'elle touche le protège-proue, ensuite remplacez la bague de profondeur. Pour une sécurité supplémentaire lors du transport, attachez la sangle de retenue. Cette mesure assure un arrimage sécuritaire et maintient le moteur en place pendant le transport, car le moteur pourrait être soumis à des vibrations et à des chocs importants pendant le transport. Ne pas fixer le moteur pourrait causer une blessure ou des dommages à l'appareil.



# INSTALLATION DES BATTERIES ET DU CÂBLAGE

## GRÉEMENT DE L'EMBARCATION ET INSTALLATION DU PRODUIT

Pour des raisons de sécurité et de conformité, nous vous recommandons de suivre les normes du conseil américain sur les embarcations et les yachts (ABYC) pour le gréement de l'embarcation. Les altérations dans le câblage de l'embarcation devraient être complétées par un technicien de marine qualifié. Les spécifications suivantes sont seulement des lignes directrices générales:

### ATTENTION

Ces lignes directrices s'appliquent au gréement général pour soutenir le moteur de Minn Kota. L'alimentation de multiples moteurs ou d'autres appareils électriques, à partir du même circuit d'alimentation, peut influencer sur le gabarit de conducteurs et le dimensionnement des disjoncteurs recommandé. Pour un fil plus long que celui fourni avec l'appareil, suivre le tableau de dimensionnement de gabarit des conducteurs et des disjoncteurs du tableau ci-dessous. Si la longueur totale de la rallonge est de plus de 25 pi (7,60 m), nous vous recommandons de communiquer avec un technicien maritime qualifié.

### ATTENTION

**Un dispositif de protection contre la surintensité (disjoncteur ou fusible) doit être utilisé.** Les préalables de la garde côtière exigent que chaque conducteur de courant, qui n'est pas fixé, soit protégé par un fusible ou un disjoncteur qui se réinitialise manuellement et qui ne peut se déclencher automatiquement. Le dimensionnement du type (courant et tension de puissance nominale) de fusible ou de disjoncteur doit être choisi en fonction du propulseur électrique utilisé. Le tableau ci-dessous donne les lignes directrices recommandées pour ce qui est du dimensionnement des disjoncteurs.

## TABLEAU DES DIMENSIONS DE GABARIT DES CONDUCTEURS ET DISJONCTEURS

Le présent tableau des dimensions de gabarit des conducteurs et disjoncteurs est uniquement valable pour les hypothèses suivantes:

1. Il n'y a pas plus de 2 conducteurs qui sont regroupés à l'intérieur d'une gaine ou d'un conduit à l'extérieur de l'espace moteur.
2. Chaque conducteur est muni d'un isolant d'une température nominale de 105 °C.
3. Aucune chute de tension de plus de 5 % n'est autorisée lorsque le moteur est à plein régime, en fonction des exigences en matière d'alimentation du produit qui ont été publiées.

Modèle/ Poussée du Moteur	Courant Tiré Max	Disjoncteur	Longueur de la Rallonge				
			1.5 mètres	3 mètres	4.5 mètres	6 mètres	7.5 mètres
30 lb.	30	50 Amp @ 12 VDC	6 mm <sup>2</sup>	6 mm <sup>2</sup>	10 mm <sup>2</sup>	16 mm <sup>2</sup>	25 mm <sup>2</sup>
40 lb., 45 lb.	42		6 mm <sup>2</sup>	10 mm <sup>2</sup>	16 mm <sup>2</sup>	25 mm <sup>2</sup>	25 mm <sup>2</sup>
50 lb., 55 lb.	50	60 Amp @ 12 VDC	10 mm <sup>2</sup>	16 mm <sup>2</sup>	25 mm <sup>2</sup>	25 mm <sup>2</sup>	35 mm <sup>2</sup>
70 lb.	42	50 Amp @ 24 VDC	6 mm <sup>2</sup>	6 mm <sup>2</sup>	10 mm <sup>2</sup>	10 mm <sup>2</sup>	16 mm <sup>2</sup>
80 lb.	56	60 Amp @ 24 VDC	10 mm <sup>2</sup>	10 mm <sup>2</sup>	10 mm <sup>2</sup>	16 mm <sup>2</sup>	16 mm <sup>2</sup>
101 lb.	46	50 Amp @ 36 VDC	10 mm <sup>2</sup>	10 mm <sup>2</sup>	10 mm <sup>2</sup>	10 mm <sup>2</sup>	10 mm <sup>2</sup>
Engine Mount 101	50	60 Amp @ 36 VDC	10 mm <sup>2</sup>	10 mm <sup>2</sup>	10 mm <sup>2</sup>	10 mm <sup>2</sup>	10 mm <sup>2</sup>
112 lb.	52	60 Amp @ 36 VDC	10 mm <sup>2</sup>	10 mm <sup>2</sup>	10 mm <sup>2</sup>	10 mm <sup>2</sup>	10 mm <sup>2</sup>
Engine Mount 160	116	(2) x 60 Amp @ 24 VDC	16 mm <sup>2</sup>	16 mm <sup>2</sup>	25 mm <sup>2</sup>	35 mm <sup>2</sup>	35 mm <sup>2</sup>
E-Drive	40	50 Amp @ 48 VDC	6 mm <sup>2</sup>	6 mm <sup>2</sup>	6 mm <sup>2</sup>	6 mm <sup>2</sup>	6 mm <sup>2</sup>

**AVIS :** La longueur de la rallonge fait référence à la distance séparant les batteries des fils du propulseur électrique. Consultez le site Web pour connaître les options d'impulsion. Les valeurs d'intensité maximales ont lieu de manière intermittente durant certaines conditions et ne doivent pas être utilisées comme valeur nominale continue.

Référence  
Le code des règlements fédéraux des États-Unis : article 183 du titre 33 du CFR - Embarcations et équipements associés ABYC E-11 : systèmes électriques CA et CC sur les embarcations.

## COMMENT SÉLECTIONNER LES BATTERIES ADÉQUATES

### COMMENT SÉLECTIONNER LES BATTERIES ADÉQUATES

Le moteur fonctionnera avec toute batterie-marine plomb à décharge poussée de 12 volts. Pour un meilleur résultat, utilisez une batterie-marine à décharge poussée avec ampérage nominal d'au moins 105 ampères/heure. Maintenez la batterie complètement chargée. Un entretien adéquat assurera que le courant sera disponible au moment du besoin et améliorera considérablement la durée de vie de la batterie. Le fait de ne pas recharger les batteries au plomb (dans les 12 à 24 heures) est la principale cause de défaillance prématurée de celles-ci. Utilisez un chargeur multiphase pour éviter une surcharge. Nous offrons une vaste sélection de chargeurs en fonction de vos besoins. Si vous utilisez une batterie à manivelle pour démarrer un moteur hors-bord à essence, nous vous recommandons d'utiliser des batteries marines à décharge poussée séparées pour votre moteur de pêche à la traîne Minn Kota. Pour de plus amples informations sur la sélection et le grément de batteries, veuillez visiter [minnkotamotors.com](http://minnkotamotors.com). Les moteurs de pêche à la traîne Minn Kota peuvent fonctionner avec des batteries au Lithium Ion. Cependant, ils sont spécifiquement conçus pour fonctionner avec des batteries plomb/ acide traditionnelles (AMG ou GEL). Les batteries au lithium Ion restent à des tensions supérieures pendant plus longtemps que les batteries plomb/acide. Par conséquent, lancer un moteur de pêche à la traîne Minn Kota à des vitesses supérieures à 85 % pendant une période prolongée risque d'endommager le moteur de façon permanente.



### AVERTISSEMENT

Ne jamais brancher les bornes (+) et (-) de la même batterie ensemble. S'assurer qu'aucun objet métallique ne puisse tomber sur la batterie et provoquer un court-circuit aux bornes. Cela provoquerait immédiatement un court-circuit et un risque extrême d'incendie.



### ATTENTION

Il est fortement recommandé d'utiliser un disjoncteur ou un fusible avec ce propulseur électrique. Consulter le « Tableau des dimensions de gabarit des conducteurs et disjoncteurs » dans la section précédente pour trouver le disjoncteur ou fusible approprié convenant à votre moteur. Pour les moteurs nécessitant un disjoncteur de 60-A, le disjoncteur Minn Kota MKR-19 60-A est recommandé.



### ATTENTION

Veuillez lire les renseignements suivants avant de connecter votre moteur à vos batteries afin d'éviter d'endommager votre moteur ou d'annuler votre garantie.

## AUTRES POINTS À CONSIDÉRER

### Utilisation de chargeurs à c.c. ou alternateurs

Votre moteur de pêche à la traîne Minn Kota peut être conçu avec un fil de masse interne pour réduire les interférences avec d'autres sonars. La plupart des systèmes de charge alternateurs ne tiennent pas compte de ce fil de masse et connectent les bornes négatives des batteries du moteur de pêche à la traîne aux bornes négatives de la batterie à manivelle/de démarrage. Ces connexions externes peuvent endommager les composants électroniques connectés ou le système électrique de votre moteur de pêche à la traîne et ainsi annuler votre garantie. Passez attentivement en revue le manuel de votre chargeur ou consultez son fabricant afin de vous assurer que votre chargeur est compatible avant de l'utiliser. Minn Kota recommande l'utilisation de chargeurs de marque Minn Kota pour recharger les batteries connectées à votre moteur de pêche à la traîne Minn Kota, étant donné qu'ils ont été conçus de sorte à fonctionner avec les moteurs dotés d'un fil de masse.

## › Accessoires supplémentaires connectés aux batteries du propulseur électrique

Votre moteur Minn Kota, les composants électroniques de votre bateau ou votre bateau peuvent subir des dommages importants si de mauvaises connexions ont été effectuées entre les batteries de votre propulseur électrique et un autre système de batterie. Minn Kota recommande d'utiliser un système de batterie exclusif pour votre moteur de pêche à la traîne. Lorsque possible, les accessoires doivent être branchés sur un système de batterie séparé. Les radios et les sonars ne doivent être connectés à aucune batterie du propulseur électrique étant donné que les interférences provenant du propulseur électrique sont inévitables. Lorsque vous connectez un accessoire supplémentaire à l'une des batteries du propulseur électrique, ou lorsque vous effectuez des connexions entre les batteries du propulseur électrique et d'autres systèmes de batterie sur le bateau, assurez-vous de respecter attentivement les indications ci-dessous.

La connexion négative (-) doit être connectée à la borne négative de la même batterie à laquelle la borne négative du propulseur électrique est connectée. Sur le tableau, cette batterie est appelée batterie « côté inférieur ». La connexion à une autre batterie du propulseur électrique fera entrer une tension positive dans la « mise à la terre » de cet accessoire, pouvant causer une corrosion excessive. Tout dommage causé par de mauvaises connexions entre les systèmes de batterie ne sera pas couvert par la garantie.

## › Systèmes de démarrage d'appoint et commutateurs

Automatic jump start systems and selector switches tie the negatives of the connected batteries together. Connecting these systems to the "High Side" Battery or "Middle" Battery in the diagrams below and will cause significant damage to your trolling motor and electronics. The only trolling motor battery that is safe to connect to one of these systems is the "Low Side" Battery.

## COMMENT RACCORDER LA BATTERIE

### › Systèmes de 12 Volts

1. S'assurer que le moteur est coupé (sélecteur de vitesse sur « 0 »).
2. Raccorder le fil rouge positif (+) à la borne positive (+) de la batterie.
3. Raccorder le fil noir négatif (-) à la borne négative (-) de la batterie.



## AVERTISSEMENT

Pour des raisons de sécurité, ne pas allumer le moteur jusqu'à ce que l'hélice soit dans l'eau. Si vous installez un raccordement en fil de plomb, respectez les polarités appropriées et suivez les instructions qui se trouvent dans votre manuel du propriétaire du bateau.



## AVERTISSEMENT

- Pour des raisons de sécurité, débranchez le moteur des batteries lorsque le moteur n'est pas utilisé ou pendant la charge.
- Une mauvaise installation du câblage des systèmes de 24/36 volts pourrait provoquer une explosion des batteries.
- Gardez le serrage des écrous de papillon de raccordement solide et bien serré autour des bornes de la batterie.
- Installez la batterie dans un compartiment ventilé.

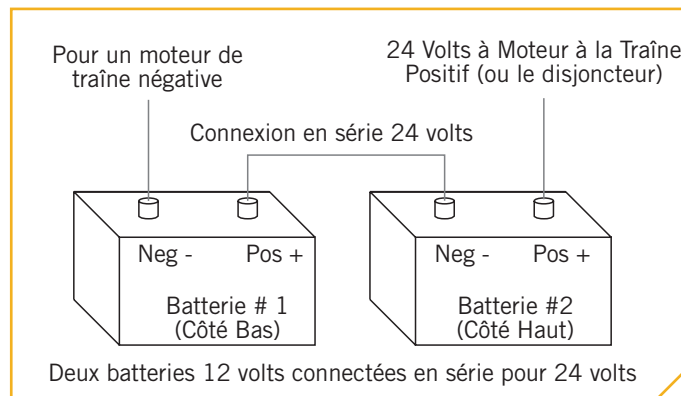
## BRANCHEMENT DES BATTERIES EN SÉRIE

### BRANCHER LES BATTERIES EN SERIE [SI REUIS POUR VOTRE MOTEUR]

#### › Systèmes de 24 Volts

Deux batteries de 12 volts sont nécessaires. Les batteries doivent être branchées en série, uniquement tel qu'illustré dans le schéma de câblage, afin de fournir 24 volts.

1. Assurez-vous que le moteur est éteint (sélecteur de vitesse sur "0").
2. Branchez un câble de raccordement à la borne positive (+) de la batterie 1 et à la borne négative (-) de la batterie 2.
3. Branchez le fil rouge positif (+) à la borne positive (+) sur la batterie 2.
4. Branchez le fil noir négatif (-) à la borne négative (-) de la batterie 1.



## AVERTISSEMENT

Pour des raisons de sécurité, ne pas allumer le moteur jusqu'à ce que l'hélice soit dans l'eau. Si vous installez un raccordement en fil de plomb, respectez les polarités appropriées et suivez les instructions qui se trouvent dans votre manuel du propriétaire du bateau.



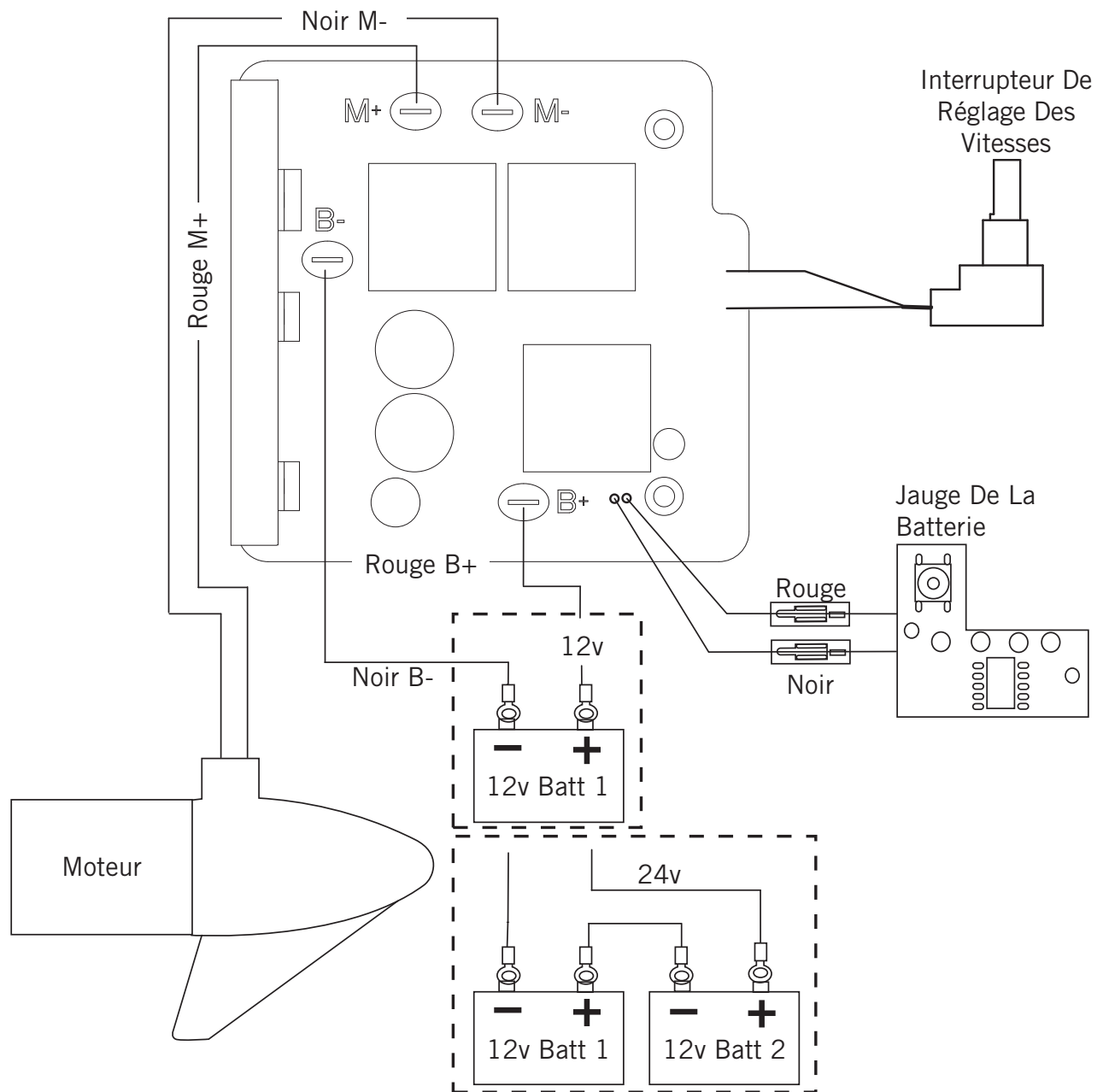
## AVERTISSEMENT

- Pour des raisons de sécurité, débranchez le moteur des batteries lorsque le moteur n'est pas utilisé ou pendant la charge.
- Une mauvaise installation du câblage des systèmes de 24/36 volts pourrait provoquer une explosion des batteries.
- Gardez les écrous papillons des raccordements solides et bien serrés autour des bornes de la batterie.
- Installez la batterie dans un compartiment ventilé.

# SCHÉMA DE CÂBLAGE DU MOTEUR

## VITESSE VARIABLE RIPTIDE MAXXUM

Le schéma de câblage de moteur suivant s'applique à tous les modèles à contrôle manuel Riptide Maxxum qui sont livrés avec un contrôle de vitesse variable installé en usine.

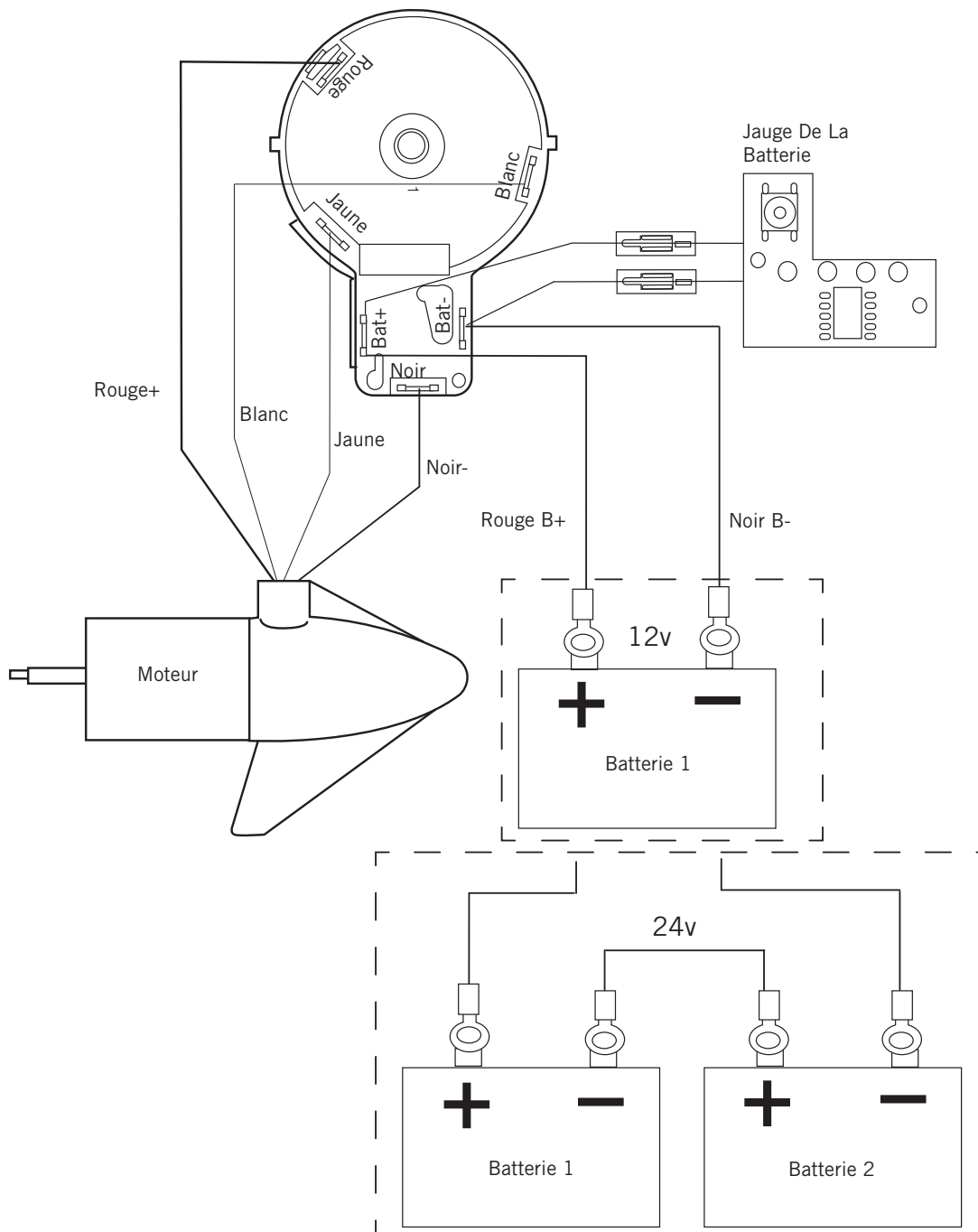


**AVIS :** Il s'agit d'un schéma multitenion. Revérifiez la tension de votre moteur afin d'effectuer les raccordements appropriés. Les dispositifs de protection contre la surintensité ne figurent pas dans cette illustration.

# SCHÉMA DE CÂBLAGE DU MOTEUR

## COMMUTATEUR À 5 VITESSES RIPTIDE MAXXUM

Le schéma de câblage de moteur suivant s'applique à tous les modèles commandés à pédale Riptide Maxxum qui sont livrés avec un commutateur de vitesse variable installé en usine.



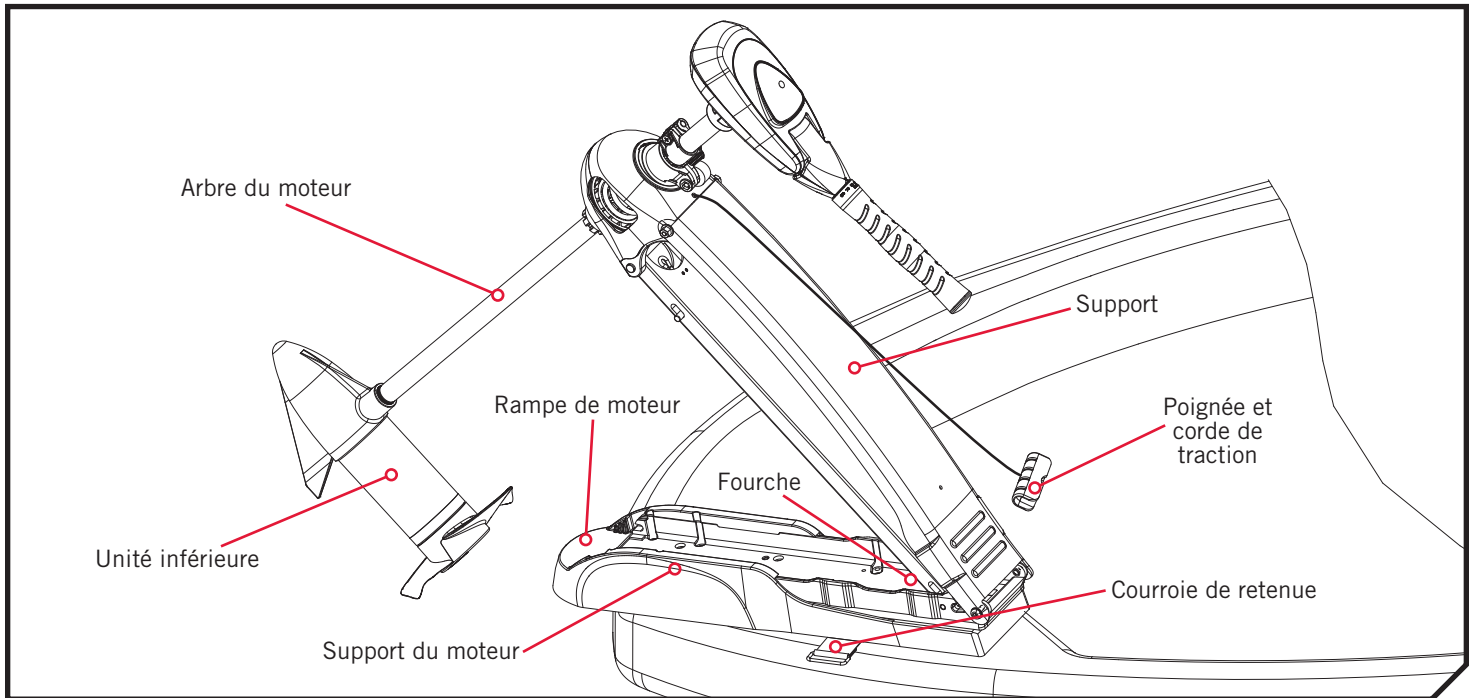
**AVIS :** Il s'agit d'un schéma multitenion. Revérifiez la tension de votre moteur afin d'effectuer les raccordements appropriés. Les dispositifs de protection contre la surintensité ne figurent pas dans cette illustration.



# UTILISATION ET RÉGLAGE DU MOTEUR

## CARACTÉRISTIQUES DU SUPPORT

Prenez connaissance des fonctionnalités du moteur afin de maximiser les capacités qu'offre ce produit.



- Le support du moteur est conçu pour se replier et verrouiller le moteur à plat sur le pont, lorsqu'il n'est pas utilisé, et pour fournir un arrimage sûr pour le transport.
- La poignée et corde de traction libère la barre de verrouillage qui s'active automatiquement lorsque l'appareil est abaissé ou élevé en position. La poignée et corde de traction doit être utilisée à la fois pour abaisser et remonter l'appareil.
- La rampe du moteur positionne l'appareil inférieur puisqu'il se retrouve en contact avec le nez du support et le guide sur le support du moteur.
- La fourche retient l'arbre du moteur et maintient l'appareil inférieur centré sur le support du moteur.
- La courroie de retenue doit être utilisée pour faire de la pression sur l'arbre du moteur afin de fixer solidement l'unité inférieure au support du moteur lorsqu'il est arrimé.

### CAUTION

Lorsque vous penchez le moteur, gardez vos doigts loin des charnières, des points de pivot et des pièces mobiles.

### CAUTION

Pour la sécurité, utilisez toujours le crochet et la courroie en boucle lorsque le moteur est en position d'arrimage.

## UTILISATION ET RÉGLAGE DU MOTEUR

### ARRIMAGE ET DÉPLOIEMENT DU MOTEUR

#### **AVERTISSEMENT**

Lorsque vous remontez ou abaissez le moteur, gardez vos doigts loin de toutes charnières et tous points de pivot ainsi que de toutes pièces mobiles. Utilisez de bonnes pratiques ergonomiques lorsque vous arrimez et déployez le moteur afin de prévenir les blessures.

#### **AVERTISSEMENT**

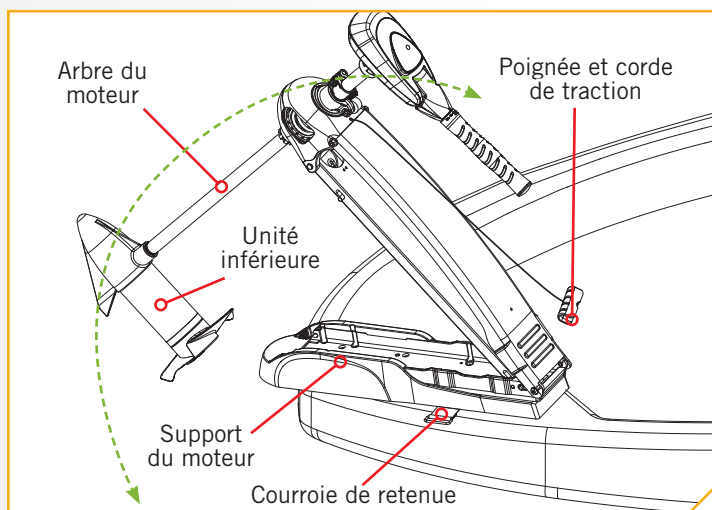
Déplacer le moteur crée une variété de points de pincement. La tête du moteur formera un point de pincement si le bouton de serrage du gouvernail est desserré et que la tête du moteur glisse sur le dessus du collier de profondeur à relâche rapide. Saisir l'arbre et l'empêcher de glisser jusqu'en bas pour prévenir le point de pincement. Pour éviter les blessures, retirez le moteur de la zone pouvant entrer en contact avec une autre zone du moteur. Faites attention aux points de pincement sur la barre en déplaçant le moteur ou utilisant la poignée télescopique.

#### **AVERTISSEMENT**

Lorsque le moteur est transporté sur l'eau ou la terre, il est important de le placer complètement hors de l'eau. Le moteur doit être placé près du protège-proue. Le moteur doit être placé sur les rails du support du moteur et dans la position arrimée. Relâchez la bague de profondeur et glissez-la sur l'arbre jusqu'à ce qu'elle touche le protège-proue, ensuite remplacez la bague de profondeur. Pour une sécurité supplémentaire lors du transport, attachez la sangle de retenue. Cette mesure assure un arrimage sécuritaire et maintient le moteur en place pendant le transport, car le moteur pourrait être soumis à des vibrations et à des chocs importants pendant le transport. Ne pas fixer le moteur pourrait causer une blessure ou des dommages à l'appareil.

**1**

- a. Pour déployer le moteur, vous n'avez qu'à tirer et soulever le moteur hors du support à l'aide de la poignée et corde de traction. Abaissez le moteur dans l'eau en utilisant la poignée et corde de traction. Le moteur va se bloquer automatiquement en position déployée.
- b. Pour arrimer le moteur, vous n'avez qu'à tirer et soulever le moteur hors de l'eau à l'aide de la poignée et corde de traction. Abaissez l'unité inférieure du moteur sur le support du moteur à l'aide de la poignée et corde de traction. Le moteur va se bloquer automatiquement en position arrimée. Enroulez la courroie de retenue au-dessus du sommet de l'arbre du moteur afin de fixer le moteur.



#### **AVERTISSEMENT**

Évitez le contact avec le protège-proue lors de l'arrimage, le déploiement ou l'utilisation. L'arbre et les mécanismes dans le protège-proue peuvent créer des points de pincement. Évitez le contact pour éviter les blessures. Utilisez toujours la poignée et la corde de traction pour arrimer et déployer le moteur afin de prévenir toute blessure.

## › Transport du moteur

1

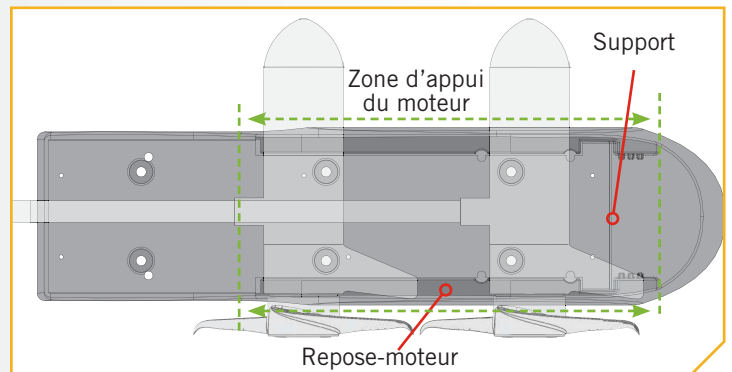
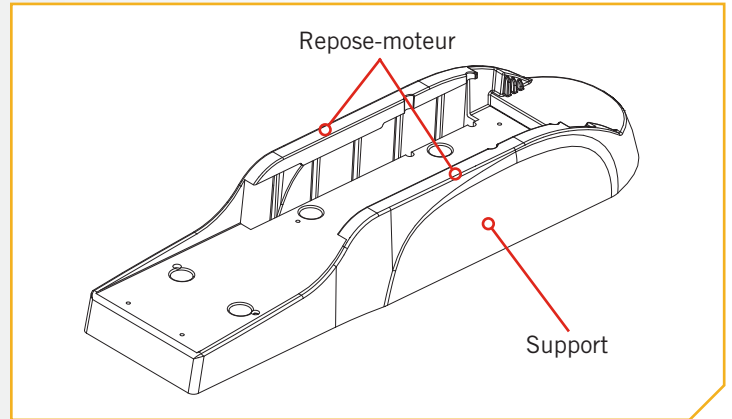
- a. Avant de transporter le moteur sur l'eau ou la terre, arrimez le moteur pour déterminer où l'unité inférieure repose sur le support.

**AVIS :** La bonne position de l'unité inférieure est directement sur le repose-moteur se trouvant sur le protège-proue.

- b. Si l'unité inférieure ne repose pas sur le repose-moteur, déployez le moteur afin que le collier de profondeur puisse être desserré et le moteur puisse être ajusté de manière à ce qu'il s'appuie sur le repose-moteur. Ajustez l'arbre et fixez à nouveau le collier de profondeur.

### ATTENTION

L'unité inférieure doit être posée sur les repose-moteur dans la zone d'appui du moteur chaque fois que le moteur est transporté. Si l'unité inférieure est mal placée, soit au-dessus ou au-dessous de la zone d'appui du moteur, l'unité inférieure ou l'arbre seront endommagés et la fourche n'agrippera pas le repose-moteur correctement. Ne pas placer l'unité inférieure comme recommandé risque d'endommager le produit et d'annuler la garantie de ce dernier.



# RÉGLAGE DE LA PROFONDEUR DU MOTEUR

## RÉGLAGES SUPPLÉMENTAIRES

### › Réglage de la profondeur du moteur

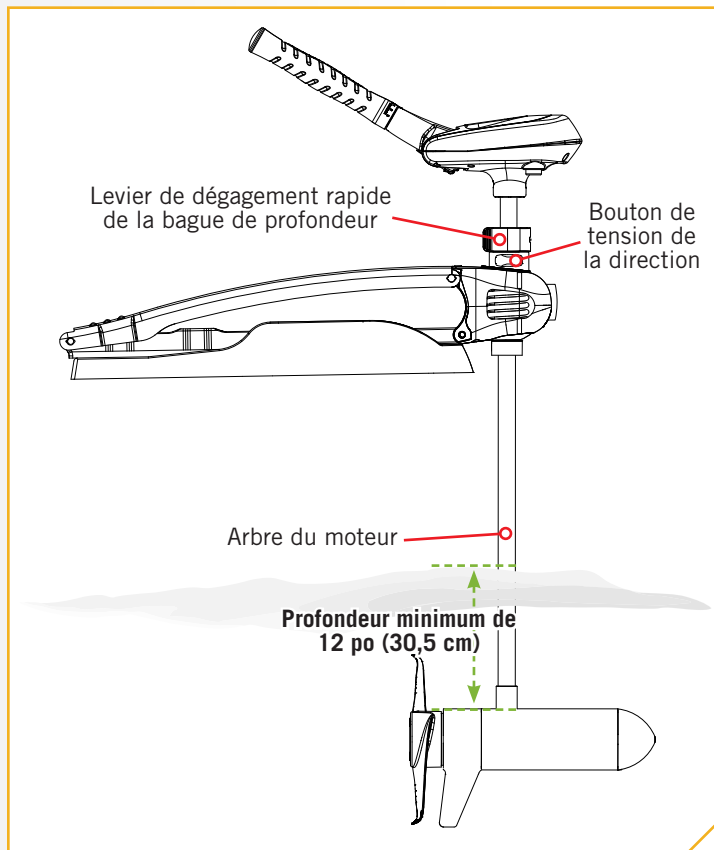
Au moment du réglage de la profondeur, assurez-vous que le dessus du moteur est immergé à au moins 12 po (30,5 cm) afin d'éviter de faire tourbillonner ou d'agiter l'eau à la surface. L'hélice doit être complètement submergée.

- 1
  - a. Saisissez fermement l'arbre du moteur et tenez-le immobile.
  - b. Desserrez le bouton de tension de pilotage.
  - c. Ouvrez le levier pour desserrer la bague de réglage de la profondeur à dégageur rapide.
  - d. Réglez à la verticale la hauteur du moteur à la position souhaitée.
  - e. Placez la bague de profondeur en haut du bouton de serrage du gouvernail, puis fermez le levier pour la verrouiller en place.
  - f. Serrez le bouton de serrage du gouvernail pour obtenir la tension souhaitée du gouvernail.

**AVIS :** Assurez-vous que le dessus du moteur est immergé à au moins 12 po (30,5 cm) afin d'éviter de faire tourbillonner ou d'agiter l'eau à la surface.

### AVERTISSEMENT

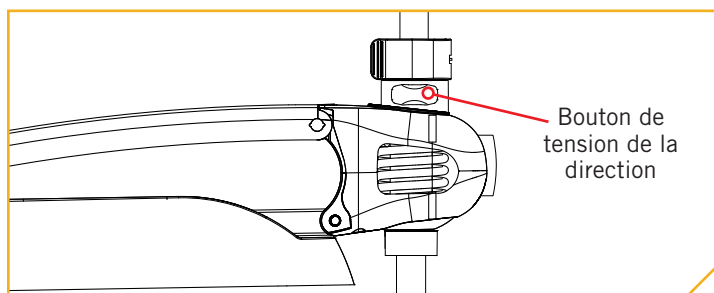
La tête du moteur formera un point de pincement si le bouton de tension du gouvernail est desserré et que la tête du moteur glisse sur le dessus de la bague de réglage de la profondeur à dégageur rapide. Saisissez l'arbre et empêchez-le de glisser jusqu'en bas pour prévenir le point de pincement. Pour éviter les blessures, tenez le moteur loin de la zone pouvant entrer en contact avec une autre zone du moteur.



**AVIS :** La tension de la bague de réglage de la profondeur à dégageur rapide peut être réglée avec un tournevis pour obtenir la sensation appropriée.

### › Réglage du gouvernail

Réglez le bouton de tension du gouvernail afin de fournir une tension suffisante pour permettre au moteur de tourner librement, tout en restant dans n'importe quelle position sans être ralenti, ou; serrez le bouton et placez le moteur dans une position prédéfinie afin que vous ayez les mains libres pour pêcher.



## CONTRÔLE DE LA VITESSE ET DE LA DIRECTION À L'AIDE DE LA BARRE

### AVERTISSEMENT

Soyez toujours prêt pour un mouvement imprévu du bateau en utilisant le Riptide Maxxum. Le bateau peut éprouver des virages vifs et des secousses violentes si la direction est fortement modifiée ou si de larges changements de vitesse sont effectués lors des manœuvres. Conservez un bon équilibre et utilisez le moteur de manière sécuritaire.

### AVERTISSEMENT

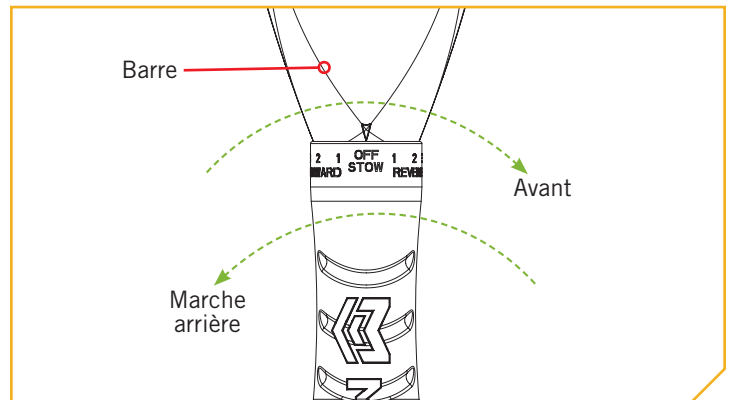
Lorsque le moteur n'est pas utilisé, tournez la poignée de la barre pour la mettre en position d'arrêt (OFF). Si la poignée est sous tension, engagée ou heurtée par accident et n'est pas en position d'arrêt (OFF), l'hélice sera activée de manière inattendue. L'hélice peut aussi être activée de manière inattendue si le tableau de commande ou le commutateur à 5 positions est défectueux. Évitez les blessures causées par une hélice en rotation et sachez toujours comment rapidement désengager l'alimentation ou corriger la barre en désactivant l'hélice.

### AVERTISSEMENT

Le Maxxum n'est pas destiné à être un moteur de propulsion principal. Un usage intensif du moteur peut causer des températures de moteur élevées ; les températures peuvent augmenter davantage dans un environnement opérationnel excessivement chaud. Manipulez la tête de contrôle avec soin pour éviter les brûlures ou les blessures dues à la chaleur excessive. Dans l'éventualité où le moteur ou le contrôle de la vitesse serait défectueux, soyez toujours prêt à prendre le contrôle manuel du bateau.

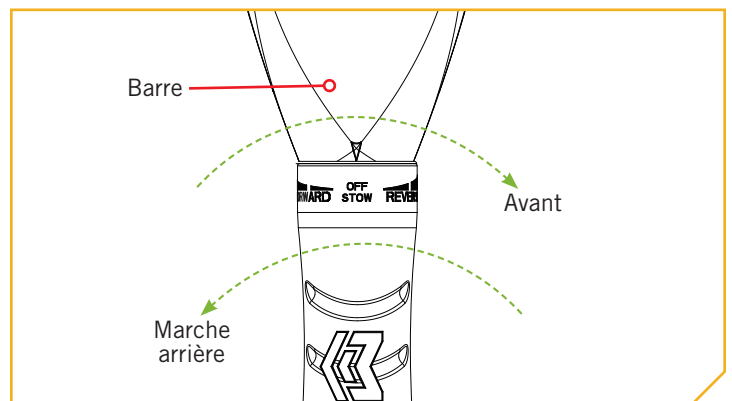
### › 5 vitesse - Moteur de 55 lb et 70 lb (25 kg et 32 kg)

Ce moteur offre 5 vitesses en marche avant et 3 vitesses en marche arrière. Le contrôle de vitesse s'opère dans les deux sens, en marche avant ou arrière. Tournez la poignée de la barre dans le sens antihoraire d'arrêt (OFF), pour augmenter la vitesse en marche arrière et dans le sens horaire d'arrêt (OFF) pour augmenter la vitesse en marche avant. La vitesse diminue à mesure que la poignée s'approche de l'arrêt (OFF) dans les deux sens.



### › Vitesse variable - Moteur de 80 lb (36 kg)

Ce moteur offre des vitesses variables en marche avant et arrière. Le contrôle de vitesse s'opère dans les deux sens, en marche avant ou arrière. Tournez la poignée de la barre dans le sens antihoraire d'arrêt (OFF), pour augmenter la vitesse en marche arrière et dans le sens horaire d'arrêt (OFF) pour augmenter la vitesse en marche avant. La vitesse diminue à mesure que la poignée s'approche de l'arrêt (OFF) dans les deux sens.



# RÉGLAGE DU GOUVERNAIL

## › Réglage de la barre d'inclinaison/d'extension

Votre moteur de pêche à la traîne dispose d'une poignée permettant 7 positions d'inclinaison : De 45°, 30° et 15° vers le haut et le bas à part de la position (horizontale) de 0°. Pour utiliser les positions vers le bas, vous devez tout d'abord appuyer sur le bouton de déverrouillage situé sur la partie inférieure à gauche de la poignée de pivot.

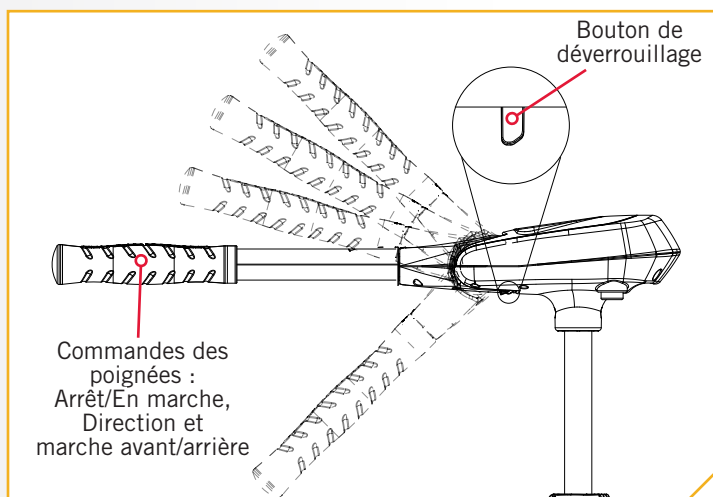
La poignée de votre moteur de pêche à la traîne dispose également d'une position d'arrimage unique, qui est utile pour limiter la quantité d'espace requis pour l'entreposage ou le transport.

1

- Appuyez d'abord sur le bouton de déverrouillage situé sur la partie inférieure à gauche de la poignée de pivot, puis poussez la poignée vers le bas jusqu'à ce que vous sentiez la poignée « verrouillée » en position d'arrimage. Ce sera presque parallèle à l'arbre du moteur.
- Pour allonger la poignée, tirez la poignée vers vous jusqu'à la position désirée. La poignée s'allongera d'un bon 6 po (15,24 cm). Pour rétracter, poussez la poignée jusqu'à ce qu'elle atteigne l'avant de la tête de contrôle du moteur.

### ⚠ AVERTISSEMENT

Le Riptide Maxxum n'est pas destiné à être un moteur de propulsion principal. Un usage intensif du moteur peut causer des températures de moteur élevées; les températures peuvent augmenter davantage dans un environnement opérationnel excessivement chaud. Manipulez la tête de contrôle avec soin pour éviter les brûlures ou les blessures dues à la chaleur excessive. Dans l'éventualité où le moteur ou le contrôle de la vitesse serait défectueux, soyez toujours prêt à prendre le contrôle manuel du bateau.



### ⚠ AVERTISSEMENT

La position de la barre d'inclinaison/d'extension peut créer un point de pincement entre la barre et la tête de contrôle. Pour éviter les blessures, retirer le moteur de la zone pouvant entrer en contact avec une autre zone du moteur.

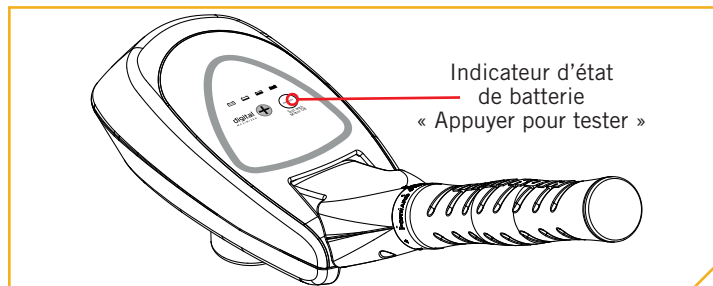
### ⚠ ATTENTION

Avant de tenter de mettre la poignée en position d'arrimage, le sélecteur de vitesse doit être réglé à la position ARRÊT/ARRIMAGE. Ne pas procéder ainsi endommagera le mécanisme interne.

## INDICATEUR D'ÉTAT DE BATTERIE « APPUYER POUR TESTER »

Ce moteur est muni d'un indicateur d'état de batterie « Appuyer pour tester ». Le voyant DEL assure un affichage précis de la charge restante dans la batterie. Il est uniquement précis lorsque le moteur est coupé. Voici comment lire l'indicateur :

- Un voyant indique la recharge.
- Deux voyants indiquent une faible charge.
- Trois voyants indiquent une bonne charge.
- Quatre voyants indiquent une pleine charge.



# SERVICE ET ENTRETIEN

## REPLACEMENT DE L'HÉLICE

### OUTILS ET RESSOURCES NÉCESSAIRES >

- Clé ouverte de 1/2 po (12,7 mm)
- Clé ouverte de 9/16 po (14,3 mm)
- Tournevis
- (poussée de 70 lb/27 kg ou moins)
- (poussée de 80 lb/36 kg ou moins)

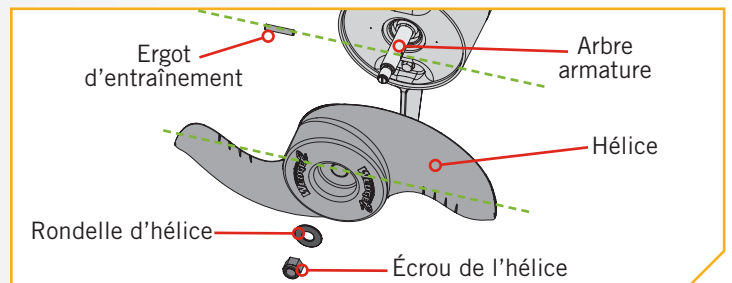
### INSTALLATION >

1

- Débranchez le moteur de toute source d'alimentation avant de changer l'hélice.
- Maintenez l'hélice et desserrez l'écrou de l'hélice à l'aide d'une pince ou d'une clé.
- Retirez l'écrou et la rondelle de l'hélice.

### ⚠ ATTENTION

Débranchez le moteur de la batterie avant d'effectuer tout travail ou entretien sur l'hélice.



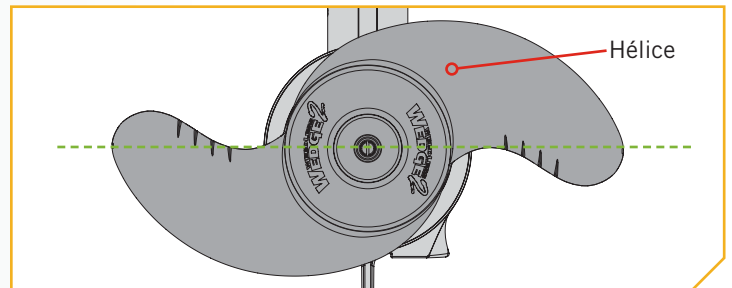
**AVIS :** Si l'ergot d'entraînement est cisailé ou cassé, vous devrez tenir l'arbre stable à l'aide d'une lame de tournevis plat enfoncée dans la fente à l'extrémité de l'arbre pendant que vous desserrez l'écrou de l'hélice.

2

- Tournez la vieille hélice à l'horizontale, puis la retirer à la verticale. Si l'ergot d'entraînement tombe, repoussez-le vers l'intérieur.

### ⚠ ATTENTION

Si l'hélice ne glisse pas facilement, tirez sur l'hélice de manière égale en faisant attention à ne pas plier l'arbre armature tout en retirant l'hélice hors de l'arbre armature.

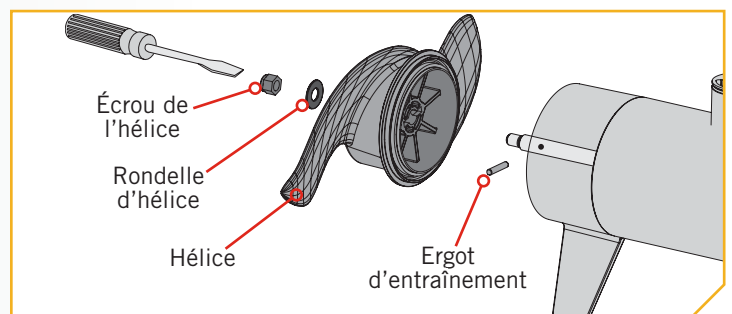


3

- Alignez la nouvelle hélice avec l'ergot d'entraînement.
- Installez la rondelle et l'écrou de l'hélice.
- Serrez l'écrou de l'hélice 1/4 de tour passé le serrage confortable à 25-35 po-lb (2,8-4 Nm).

### ⚠ ATTENTION

Ne pas trop serrer pour ne pas endommager l'hélice.



# ENTRETIEN GÉNÉRAL



## ENTRETIEN GÉNÉRAL

- Après l'utilisation, il faut rincer complètement le moteur avec de l'eau douce. Cette série de moteurs ne peut pas être exposée à l'eau salée.
- L'arbre en composite doit être régulièrement nettoyé et lubrifié pour une bonne rétraction et un bon déploiement. Une vaporisation de silicone à base aqueuse améliorera son fonctionnement.
- Après chaque utilisation, on doit inspecter l'hélice et éliminer les herbes ainsi que les lignes de pêche pouvant s'y trouver.
- Les lignes de pêche et les herbes peuvent se nicher derrière l'hélice, abîmer les joints et laisser l'eau pénétrer dans le moteur.
- Chaque fois que le moteur est utilisé, assurez-vous que l'écrou de l'hélice est fixé solidement.
- Afin de prévenir les dommages accidentels, pendant le transport ou l'entreposage, débranchez la batterie lorsque le moteur est hors de l'eau. Pour un entreposage prolongé, enduisez légèrement toutes les parties métalliques d'un protecteur aqueux à base de silicone.
- Pour profiter de la durée de vie maximale de la batterie, rechargez la ou les batteries dès que possible après utilisation. Pour une performance maximale du moteur, rechargez la batterie complètement avant utilisation.
- Gardez les bornes de la batterie propres à l'aide de papier sablé fin ou de toile d'émeri.
- L'hélice est conçue pour fonctionner en repoussant les algues avec un niveau d'efficacité très élevé. Pour maintenir ce haut rendement, le bord d'attaque des pales doit être gardé lisse. S'il est rugueux ou ébréché en raison de l'utilisation, le rendre lisse à nouveau à l'aide de papier de verre fin.
- Inspectez la poignée et le câble de traction ainsi que le courroie de retenue avant chaque utilisation et remplacez-la s'il y a présence d'usure.

## DÉPANNAGE

1. Le moteur ne tourne pas ou manque de puissance :
  - Check battery connections for proper polarity.
  - Make sure terminals are clean and corrosion free. Use fine sandpaper or emery cloth to clean terminals.
  - Check battery water level. Add water if needed.
2. Le moteur baisse en puissance peu après son démarrage :
  - Vérifier la charge de la batterie. Si le niveau est bas, la remettre à pleine charge.
3. Le moteur est difficile à diriger :
  - Desserrer le bouton de tension de pilotage sur le support
  - Lubrifier l'arbre composite.
4. Si l'hélice vibre en cours de fonctionnement normal :
  - Retirer, puis faire pivoter l'hélice à 180°. Voir les directives pour le retrait dans la section portant sur le remplacement de l'hélice.
5. Votre sondeur fait l'objet d'interférences :
  - Dans certaines applications, de l'interférence à l'écran de l'échosondeur pourra survenir. Nous recommandons d'utiliser une batterie marine à décharge profonde séparée pour votre moteur de pêche à la traîne et d'alimenter l'échosondeur à l'aide d'une batterie de démarrage/à manivelle. Si les problèmes persistent, communiquez avec le service technique au 1 800 227-6433.

**AVIS :** Pour tout autre défaut de fonctionnement, visitez un centre de service agréé. Vous pouvez trouver un centre de service agréé dans votre région en consultant la liste de nos centres de service agréés sur le site [www.minnkotamotors.com](http://www.minnkotamotors.com), ou en appelant notre service à la clientèle au 1-800-227-6433.



## POUR D'AUTRES SERVICES DE DÉPANNAGE ET DE RÉPARATION

### POUR D'AUTRES SERVICES DE DÉPANNAGE ET DE RÉPARATION

Nous offrons plusieurs options de dépannage et/ou de réparation pour le produit. Veuillez parcourir les options énumérées ci-dessous.

#### Acheter des Pièces en Ligne

Vous pouvez acheter des pièces en ligne directement à partir de notre site web à [minnkotamotors.com](http://minnkotamotors.com). Les commandes confirmées avant midi (heure du Centre) seront expédiées le même jour ouvrable, si les articles sont en stock et que l'expédition Prochain jour ouvrable est sélectionnée. Toutes les autres commandes seront expédiées en moins de 3 jours ouvrables, selon la méthode d'expédition choisie et la disponibilité des articles en stock.

#### Foire Aux Questions

Notre site Web met à votre disposition des FAQ visant à répondre à toutes vos questions au sujet des produits Minn Kota. Veuillez visiter le site Web [minnkotamotors.com](http://minnkotamotors.com) puis cliquer sur "Foire Aux Questions" pour trouver réponse à vos questions.

#### Appelez-Nous (Pour les états-unis et le Canada)

Nos représentants du service à la clientèle sont disponibles du lundi au vendredi, de 7 h à 16 h 30 (hnc), au 800-227-6433. Pour commander des pièces, veuillez avoir sous la main le numéro de série à 11 chiffres du produit, les numéros des pièces nécessaires et les renseignements relatifs à la carte de crédit. Vous économiserez ainsi du temps pour un service à la clientèle de qualité supérieure. Vous pouvez consulter la liste de votre manuel pour obtenir les numéros.

#### Envoyez-Nous un Courriel

Vous pouvez envoyer par courriel vos questions au sujet des produits minn kota à notre service à la clientèle. Pour transmettre votre question par courriel, visitez [minnkotamotors.com](http://minnkotamotors.com), puis cliquez sur "Soutien".

#### Centres de Service Agréés

On compte plus de 800 centres de service agréés Minn Kota aux États-Unis et au Canada pour acheter des pièces et faire réparer vos produits. Veuillez consulter la page Centres de service agréés sur notre site Web pour trouver un centre de service dans votre région.



Balayez le code qr pour visiter le service en ligne Minn Kota.

# DÉCLARATIONS DE CONFORMITÉ

## DÉCLARATION DE CONFORMITÉ ENVIRONNEMENTALE

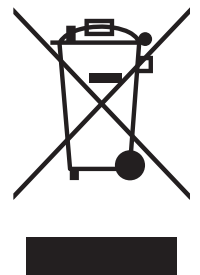
Il est dans l'intention de JOME d'être une entreprise citoyenne responsable, dont l'exploitation est conforme à la réglementation environnementale en vigueur et qui est connue pour être un bon voisin dans les collectivités où nous fabriquons ou vendons nos produits.

### DIRECTIVE DEEE

La directive européenne 2002/96/CE « Directive concernant les déchets d'équipements électriques et électroniques (DEEE) » a un impact sur la plupart des distributeurs, vendeurs et fabricants d'électronique pour le grand public au sein de l'Union européenne. La directive DEEE exige que le producteur d'électronique pour le grand public prenne une part de responsabilité, en ce qui concerne la gestion des déchets de leurs produits, afin d'atteindre une élimination écologique, et ce, tout au long du cycle de vie du produit.

Il se peut que, selon votre emplacement, vous ne soyez pas tenu (e) de vous conformer à la directive DEEE pour ce qui est des équipements électriques et électroniques (EEE), et il se peut qu'il en soit de même pour les EEE conçus et destinés à être utilisés comme installations fixes ou temporaires dans les véhicules de transport tels que les voitures, les avions et les bateaux. Dans certains États de l'Union européenne, ces véhicules sont réputés ne pas relever de la directive, et les EEE, pour ces applications peuvent être considérés comme exclus de l'exigence de la directive DEEE.

Ce symbole (DEEE poubelle sur roues) sur le produit indique que ce dernier ne doit pas être jeté avec les déchets domestiques. Il doit être éliminé et collecté pour le recyclage et la récupération des DEEE. Johnson Outdoors Inc. marquera tous les produits EEE en conformité avec la directive DEEE. C'est notre but de nous conformer à la collecte, au traitement, à la récupération et à l'élimination écologique judicieuse de ces produits, mais ces exigences varient au sein des différents États membres de l'Union européenne. Pour de l'information supplémentaire sur l'endroit où vous pouvez éliminer les équipements usagés pour leur recyclage et leur récupération et/ou selon les exigences particulières de l'État membre de l'Union européenne, veuillez communiquer avec le détaillant ou le distributeur duquel vous avez acheté le produit.



### ÉLIMINATION

Les moteurs Minn Kota ne sont pas soumis à la réglementation concernant l'élimination VGE-VO (directive pour les dispositifs électriques), qui transpose la directive DEEE. Néanmoins, ne jamais jeter le moteur Minn Kota dans une poubelle, mais plutôt à l'endroit approprié où s'effectue la collecte, recommandé par le conseil municipal local.

Ne jamais jeter aucune batterie à la poubelle. Se conformer aux directives d'élimination du fabricant ou de son représentant et la jeter à l'endroit approprié où s'effectue la collecte, recommandé par le conseil municipal local.

# DÉCLARATIONS DE CONFORMITÉ

## CONFORMITE FCC

Cet appareil est conforme à la section 15 des règles de la FCC. **Son fonctionnement est soumis aux deux conditions suivantes :**

1. Ce dispositif ne doit pas causer d'interférences nuisibles.
2. Cet appareil doit accepter toute interférence qui peut être reçue, y compris les interférences susceptibles de perturber son fonctionnement.

Les changements ou modifications non expressément approuvés par Johnson Outdoors Marine Electronics, Inc. peuvent annuler le droit d'utilisation de cet équipement accordé à l'utilisateur.

**AVIS :** Cet équipement a été testé et s'est avéré conforme aux limites pour un appareil numérique de classe B, conformément à la section 15 des règles de la FCC. Ces limites sont conçues pour fournir une protection raisonnable contre les interférences nuisibles dans une installation résidentielle. Cet équipement génère, utilise et peut émettre des fréquences radio et, s'il n'est pas installé et utilisé conformément aux instructions, peut causer des interférences nuisibles pour les communications radio. Il n'existe cependant aucune garantie que des interférences ne se produiront pas dans une installation donnée. **Si cet équipement provoque des interférences nuisibles à la réception radio ou télévision, ce qui peut être déterminé en l'éteignant et en le rallumant, l'utilisateur est encouragé à essayer de corriger l'interférence par une ou plusieurs des mesures suivantes :**

- Réorienter ou déplacer l'antenne de réception.
- Augmenter la distance entre l'équipement et le récepteur.
- Connecter l'équipement à une sortie sur un circuit différent de celui sur lequel est branché le récepteur.
- Consulter le revendeur ou un technicien radio/TV expérimenté.

## CONFORMITÉ AUX NORMES D'INDUSTRIE CANADA

Ce produit est conforme aux spécifications techniques applicables d'Industrie Canada. Son fonctionnement est soumis aux deux conditions suivantes: (1) cet appareil ne peut causer d'interférences et (2) il doit tolérer toute interférence, même celle pouvant causer un fonctionnement indésirable de l'appareil.

Les changements ou les modifications non expressément approuvés par Johnson Outdoors Marine Electronics, Inc. peuvent annuler l'autorisation de l'utilisateur de faire fonctionner cet équipement.

## COTES ENVIRONNEMENTALES

Température ambiante de fonctionnement : 14 °F à 122 °F (-10 à 50 °C)

Humidité ambiante de fonctionnement : 5 à 95 %

Altitude maximale de fonctionnement : 10 000 pieds (3 048 mètres)

## MANUEL DE L'UTILISATEUR MASTER CE (POUR MODÈLES CERTIFIÉS CE)

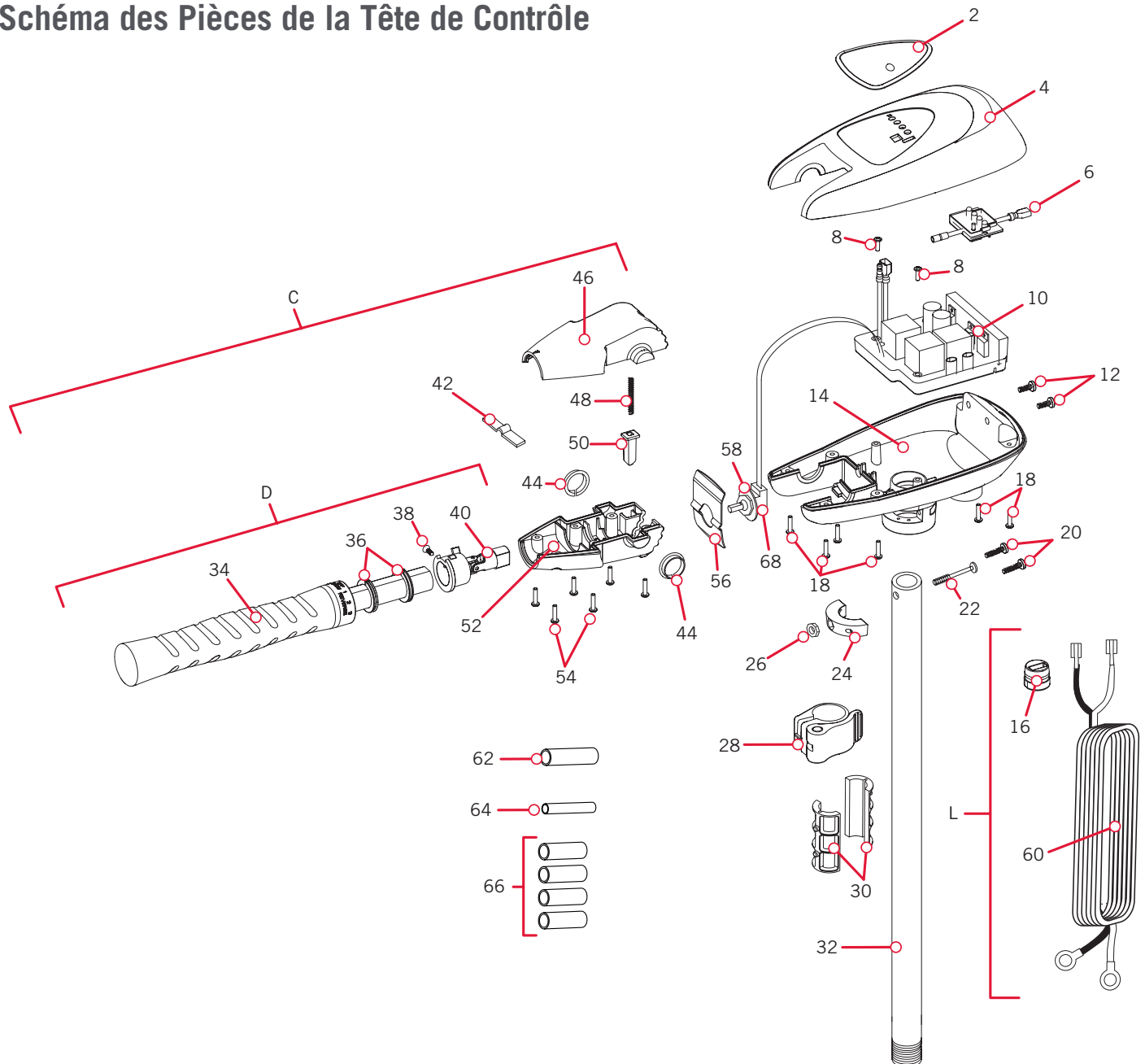
# SCHÉMA DES PIÈCES ET LISTE DES PIÈCES

## RIPTIDE MAXXUM 80 LATCH & DOOR - POUSSÉE DE 80 LBS - 24 VOLT - ARBRE 52 PO

Cette page fournit les consignes de dépose de Minn Kota® en conformité avec la directive DEEE. Pour de l'information supplémentaire sur l'endroit où vous pouvez vous débarrasser de l'équipement usagé pour le recyclage et la récupération et/ou sur les exigences de votre État membre de l'Union européenne, veuillez communiquer avec le détaillant ou le distributeur duquel le produit a été acheté. Outils nécessaires, mais sans s'y limiter : tournevis à tête plate, tournevis cruciforme, jeu de douilles, pinces, coupe-fils.

### TÊTE DE CONTRÔLE RIPTIDE MAXXUM 80 >

#### > Schéma des Pièces de la Tête de Contrôle



# SCHÉMA DES PIÈCES ET LISTE DES PIÈCES

## ► Liste des Pièces de la Tête de Contrôle

Ensemble	N° de Pièce	Description	Quantité
C	2990468	HANDLE ASM, VAR SPD, FW/SW	1
D	2990466	HANDLE ASM, VAR.SPEED, TRAXXIS	1
L	2992521	LEADWIRE ASSY-HC BOW VAR 96	1
N° d'Article	N° de Pièce	Description	Quantité
2	2195667	DECAL-COVER, RT80 SM, SF, T	1
4	2060299	COVER CONTROL BOX TRAXXIS SW	1
6	2074081	BATTERY METER, 24V, SW	1
8	2043427	SCREW-#8 X 7/8 PPH TY BT SS	2
10	2184027	CTRL BRD ASY,24/36V TRXX	1
12	2303434	SCREW-#8-32 X 5/8 MACH PHCR SS	2
14	2062538	CONTROL BOX, CAST, SW	1
16	2062905	STRAIN RELIEF,HEYCO 1876	1
18	2303412	SCREW-#6-20 X 5/8 SELF TAP	6
20	2063410	SCREW-#10-32 X 3/4" CAP SS	2
22	2093400	SCREW-#10-24 X 1-7/8 PPH SS	1
24	2061529	COLLAR-CTRL BOX (SW)	1
26	2333101	NUT-HEX #10-24 UNC-2B NYL SS	1
28	2991521	CAM LOCK/DEPTH COLLAR ASY	1
30	2151532	HINGE-SLEEVE HALF-AT	2
32	2002014	TUBE (COMPOSITE) 52" WHITE	1
34	2060465	GRIP-HANDLE, RAW, TRAXXIS	1
36	2060015	BEARING, HANDLE 2990455	2
38	2063405	SCREW-#6 X 1/2" PFH SS TY AB	1
40	2994092	YOKE ASY,VAR.2990455	1
42	2302742	SPRING-DETENT(OFF) (SS)	1
44	2060005	BEARING-HANDLE PIVOT	2
46	2060900	PIVOT HANDLE, TOP	1
48	2302745	SPRING-RELEASE BUTTON (SS)	1
50	2063700	BUTTON-RELEASE	1
52	2060905	PIVOT HANDLE, BTM	1
54	2303412	SCREW-#6-20 X 5/8 SELF TAP	6
56	2062715	SPRING, DETENT, HANDLE TILT	1
58	2061700	WASHER, POT HOLDER	1
60	2090650	LEADWIRE (10 GA) MAX/AT HAND	1
62	2305415	SHRINK TUBE-.472 ID X 2.25"	1
64	2305410	SHRINK TUBE-.315 OD X 2.25"	1

▲ Not shown on Parts Diagram.

✱ This part is included in an assembly and cannot be ordered individually.

# SCHÉMA DES PIÈCES ET LISTE DES PIÈCES

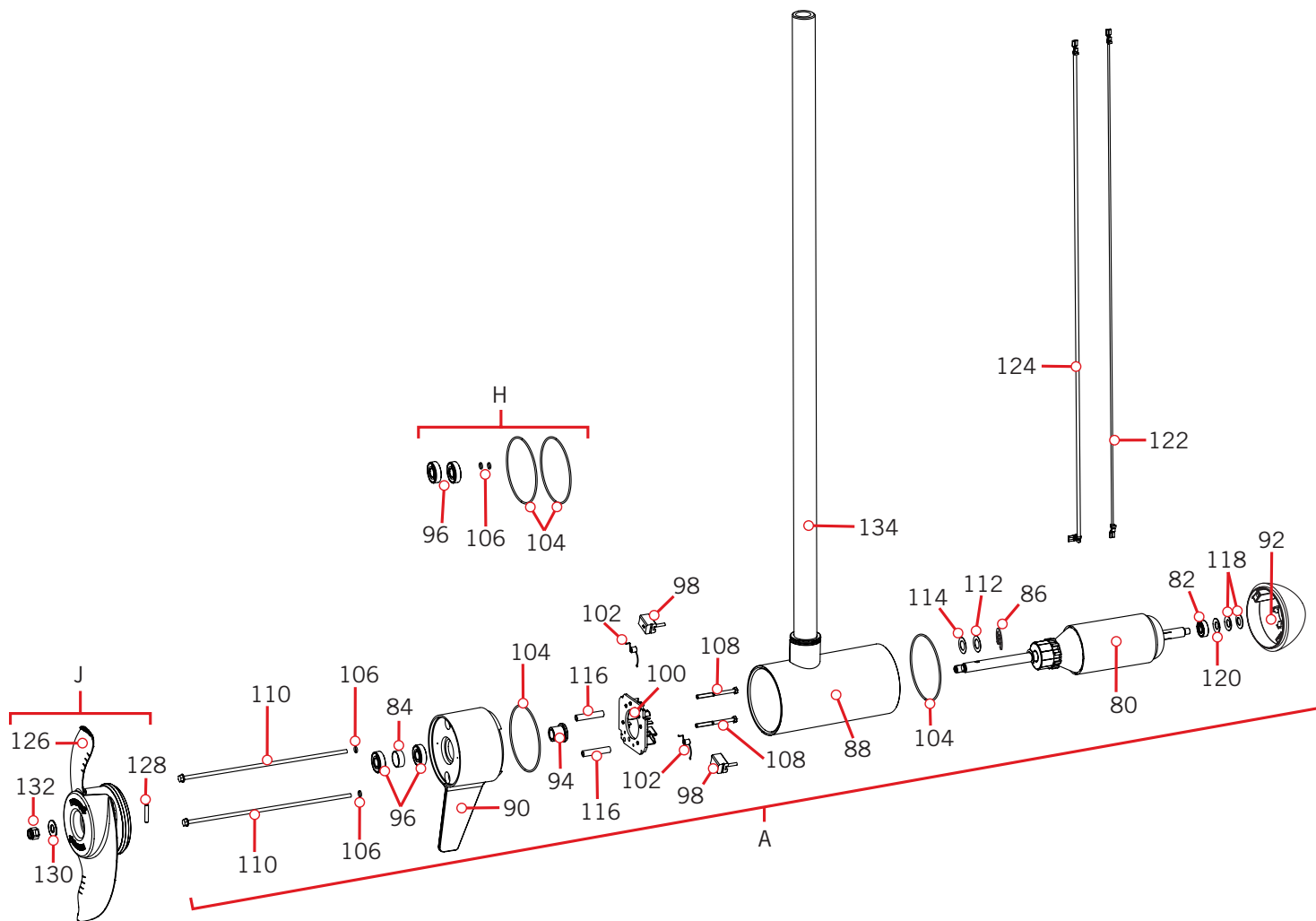


N° d'Article	N° de Pièce	Description	Quantité
66	2305403	SHRINK TUBE-.500 IDX1.0" ADHSV	4
68	2888411	POTENTIOMETER ASSY	1
▲	2197117	MANUAL-RT/SM	1
▲	2194953	PARTS LIST-RT80/SM/L&D	1
▲	2015800	HANG TAG "CAUTION..TILT HINGE"	1
▲	2015801	HANG TAG "CAUTION..HG/DR"	1

# SCHÉMA DES PIÈCES ET LISTE DES PIÈCES

## MOTEUR RIPTIDE MAXXUM 80

### Schéma des Pièces du Moteur



# SCHÉMA DES PIÈCES ET LISTE DES PIÈCES

## › Liste des Pièces du Moteur

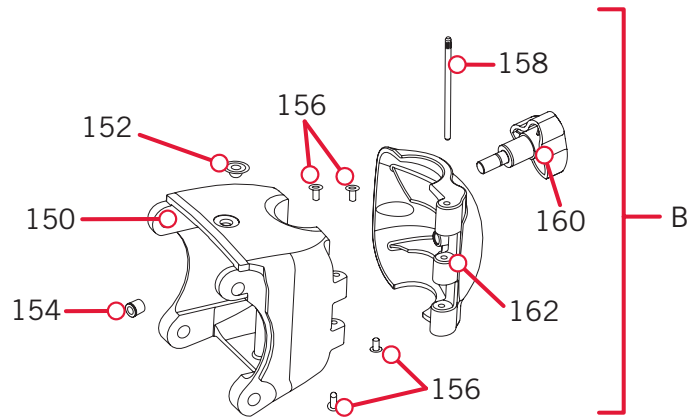
Ensemble	N° de Pièce	Description	Quantité
A	2316225	MTR ASY 24V 4" VS 80# SW BS	1
H	2889460	SEAL & O-RING KIT	1
J	1378132	PROP IND 2331160 WDLS WDG II	1
N° d'Article	N° de Pièce	Description	Quantité
80	2-100-214	ARM ASSY 24V 4" 80# (WW2)	1
82	140-010	BEARING - BALL	1
84	725-095	PAPER TUBE - SEAL BORE	1
86	788-040	RETAINING RING	1
88	2-200-394	CTR HSG ASM 4.0" SW MAGNETIZED	1
90	2-300-340	BRUSH END HSG ASY SW TX/W	1
92	421-376	HSG PLN END 4" SW WHT BS	1
94	144-017	BEARING - FLANGE	1
96	880-025	SEAL	2
98	188-094	BRUSH W/TERMINAL	2
100	9-738-004	BRUSH PLATE ASSEMBLY	1
102	975-041	SPRING - TORSION	2
104	701-043	O-RING	2
106	701-009	O-RING *THRU-BOLT*	2
108	830-027	SCREW - SELF-THREAD 10-32X2.25	2
110	830-094	THRU BOLT 12-24 X10.31	2
112	990-051	WASHER - STEEL THRUST	1
114	990-052	WASHER - NYLATRON	1
116	973-025	SPACER - BRUSHPLATE	2
118	992-010	WASHER - BELLEVILLE	2
120	990-045	SPACER - THRUST	1
122	640-018	LEADWIRE BLK 10 AWG 62 1/2 XLP	1
124	640-123	LEADWIRE RED 10 AWG 64 XLP	1
126	2331160	PROP-WW2 (4") w/ADP.RING	1
128	2262658	PIN-DRIVE 1" X 3/16" S/S	1
130	2091701	WASHER-PROP (LARGE) MAX101	1
132	2093101	NUT-PROP,NYLOC,LG,MX101 3/8 SS	1
134	2002014	TUBE (COMPOSITE) 52" WHITE	1
▲	✘	RIVET-.25"	6
▲	2260730	CONNECTOR 1/4 MALE TAB QD	2
▲	230-037	CABLE CLAMP	1



# SCHÉMA DES PIÈCES ET LISTE DES PIÈCES

## BASE DE CHARNIÈRE RIPTIDE MAXXUM 80

### Schéma des Pièces de la Base de Charnière



# SCHÉMA DES PIÈCES ET LISTE DES PIÈCES



## » Liste des Pièces de la Base de Charnière

Ensemble	N° de Pièce	Description	Quantité
B	2991808	HINGE BASE ASSY,SW,WHT	1
N° d'Article	N° de Pièce	Description	Quantité
150	2991782	HINGE BASE W/BUSHINGS SW	1
152	2262315	EYELET-ROPE,STAINLESS STEEL	1
154	2264706	INSERT-HINGE BASE(STD MT)	1
156	2236001	BEARING NYLINER ID .188 X .220	4
158	2262642	PIN-HINGE DOOR, RT HNG/DOOR	1
160	2260902	KNOB-SOFT GRIP	1
162	2261859	HINGE DOOR, SW TXT WHITE	1

▲ Not shown on Parts Diagram.

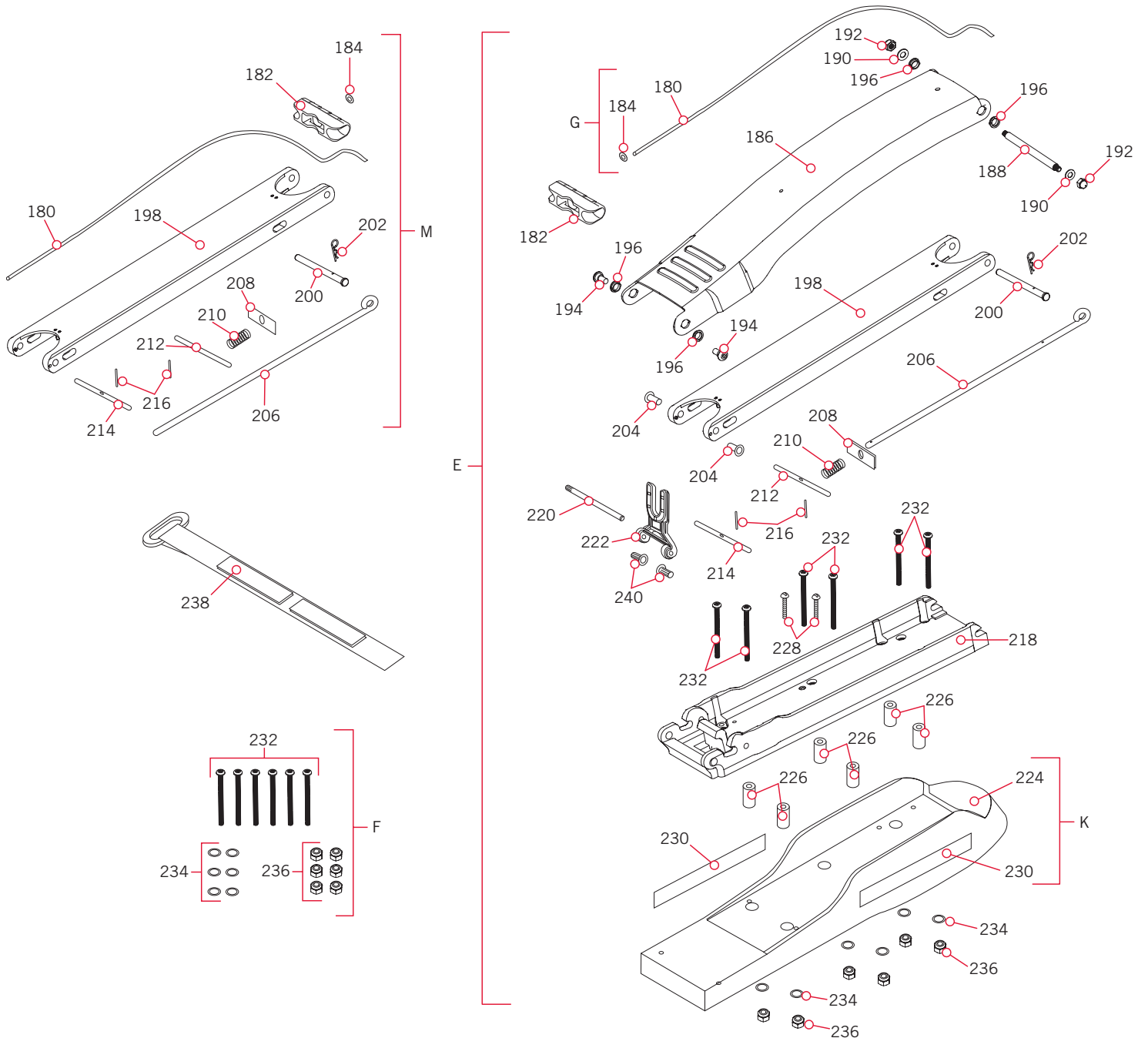
✘ This part is included in an assembly and cannot be ordered individually.



# SCHEMA DES PIÈCES ET LISTE DES PIÈCES

## SUPPORT RIPTIDE MAXXUM 80

### Schéma des Pièces du Support



# SCHÉMA DES PIÈCES ET LISTE DES PIÈCES



## ► Liste des Pièces du Support

Ensemble	N° de Pièce	Description	Quantité
E	2991660	MNT ASM MAXXUM SW STD	1
F	2994830	BAG ASSY-MAXXUM	1
G	2994886	BAG ASSY, PULL GRIP/WASHER	1
K	2999280	MTR REST ASM MAXXUM SW STD	1
M	2774322	ARM-LOWER ASY,STD,SW,WHT,SERV.	1
N° d'Article	N° de Pièce	Description	Quantité
180	2251601	ROPE (44.5"), MAXXUM MNT	1
182	2150400	PULL-GRIP	1
184	2151700	WASHER-EYE SHAFT(.562 OD) SS	1
186	2264244	ARM-UPPER STD,SW,TX,WHT,ALUM.	1
188	2262604	PIN-BWGRD,UPPER,THREADED,SS	1
190	2261722	WASHER-FLAT 5/16 S/S	2
192	2223100	NUT-5/16-18 NYLOCK S/S	2
194	2263500	BOLT, SHOULDER (MAXXUM)	2
196	2293501	BUSHING, STAINLESS STEEL	4
198	2994351	ARM-LOWER ASSY,STD,SW	1
200	2262622	PIN-CLEVIS,SS,MAXXUM BWGRD	1
202	2263011	E-RING 3/8 DIA. SHAFT*	1
204	2267318	BUSHING,FLANGE,5/16 #5L7-F-642	2
206	2153603	EYE SHAFT-2LOCKBAR STD SS	1
208	2262703	SPRING STOP MAXXUM	1
210	2152701	SPRING-(LOCKBAR) SS	1
212	2233621	LOCK BAR (300 SERIES SS)	1
214	2233623	LOCK BAR, REAR, 300 SERIES SS	1
216	2152612	SPRING-PIN (LOCKBAR) 18-8 SS	2
218	2993983	BWPLT/INSRT ASY,STD,SW-WHT	1
220	2260505	PIN-HINGE(HEADLESS) S/S	1
222	2293811	YOKE,MAX MNT-POLYPROPYLENE	1
224	2263917	MOTOR REST STD RIPTIDE WHT	1
226	2261505	SPACER, MOTOR REST	6
228	2263434	SCREW-#8-18 X 1" PPH S/S	2
230	2265708	DECAL, MOTOR REST RT MAXXUM SW	2
232	2263431	SCREW-1/4-20 X 3.5 PPH	6
234	2261713	WASHER-1/4 FLAT 18-8 SS	6
236	2263103	NUT-1/4-20 NYLOCK SS	6
238	2263804	STRAP-HOLD DWN,30.5", HOOK AND LOOP	1

▲ Not shown on Parts Diagram.

\* This part is included in an assembly and cannot be ordered individually.



## SCHÉMA DES PIÈCES ET LISTE DES PIÈCES



N° d'Article	N° de Pièce	Description	Quantité
240	2261540	INSERT-THREADED,BOWPLT,MAX	2
▲	2285801	HANG TAG, HOOK AND LOOP STRAP	1
▲	2006819	LABEL-CARTON "CAUTION HEAVY"	1

▲ Not shown on Parts Diagram.

✘ This part is included in an assembly and cannot be ordered individually.



# ACCESSOIRES RECOMMANDÉS

## » CHARGEURS DE BATTERIE EMBARQUÉS ET PORTATIFS

Ne plus acheter de nouvelles batteries et commencer à prendre soin de celles déjà en votre possession. Plusieurs chargeurs peuvent en fait endommager les batteries à la longue, pouvant entraîner une autonomie réduite et une durée de vie plus courte. Les chargeurs Minn Kota à commande numérique assurent une charge rapide pour une protection et une durée de vie prolongée.



MK212PC



MK210D



MK110PD

## » ANCRE POUR EAUX PEU PROFONDES TALON

Voici le tout nouveau Talon à nouvelle conception profilée. Talon est la seule ancre pour eaux peu profondes avec jusqu'à 15 pi (4,6 m) de profondeur d'ancrage, plusieurs modes d'ancrage et le contrôle à partir de la proue, du tableau arrière, de la console, de la télécommande ou d'un appareil mobile.



### ÉCLAIRAGE DE TRAVAIL INTÉGRÉ

Vous permet de fixer les lignes et de travailler à partir du tableau arrière à tout moment de la journée, ou de la nuit. Comprend des lumières DEL blanches et bleues avec trois intensités.



### JUSQU'À UNE PROFONDEUR DE 15 PI [4,6 M]

Contrôlez plus d'eau et attrapez plus de poissons avec la première ancre de 15 pi (4,6 m) pour eau peu profonde.



### CONNECTIVITÉ BLUETOOTH®

Vous permet de contrôler votre Talon à partir de votre appareil mobile, ainsi que le mettre à jour facilement. Elle ouvre aussi la communication à d'autres options de contrôle.



### D'AUTRES OPTIONS DE COMMANDE

- Panneau de commande
- Télécommande sans fil
- Application mobile
- Pédale sans fil
- Connectivité Humminbird<sup>MD</sup>
- Télécommande i-Pilot<sup>®</sup> et i-Pilot Link



## » ACCESSOIRES MINN KOTA

Nous offrons un large éventail d'accessoires pour les propulseurs électriques, y compris:

- Un Disjoncteur de 60 A
- Des Supports de Montage
- Des Ensembles Stabilisateur
- Des Rallonges de Poignée
- Des connecteurs de batterie
- Bacs à Batterie
- Des fiches de connexion rapide



minnkotamotors.com



Minn Kota Consumer & Technical Service  
Johnson Outdoors Marine Electronics, Inc.  
PO Box 8129  
Mankato, MN 56001

121 Power Drive  
Mankato, MN 56001  
Phone (800) 227-6433  
Fax (800) 527-4464



©2021 Johnson Outdoors Marine Electronics, Inc.  
All rights reserved.