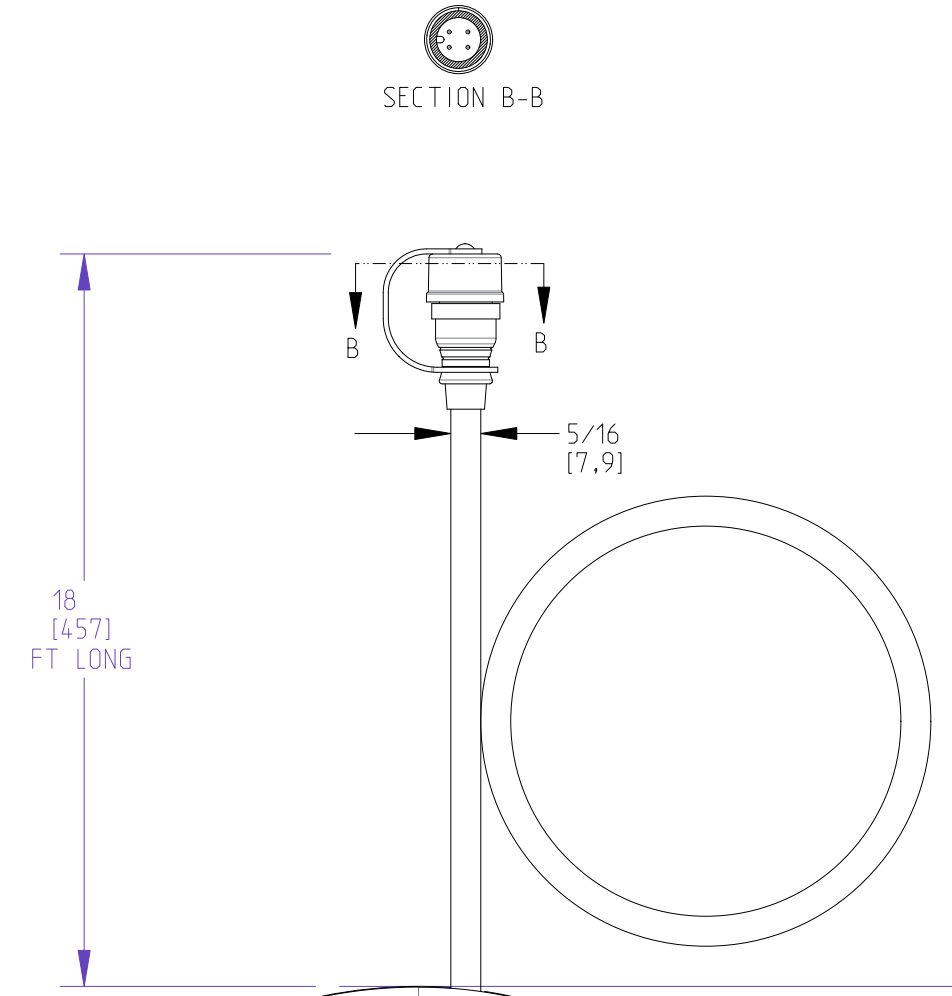


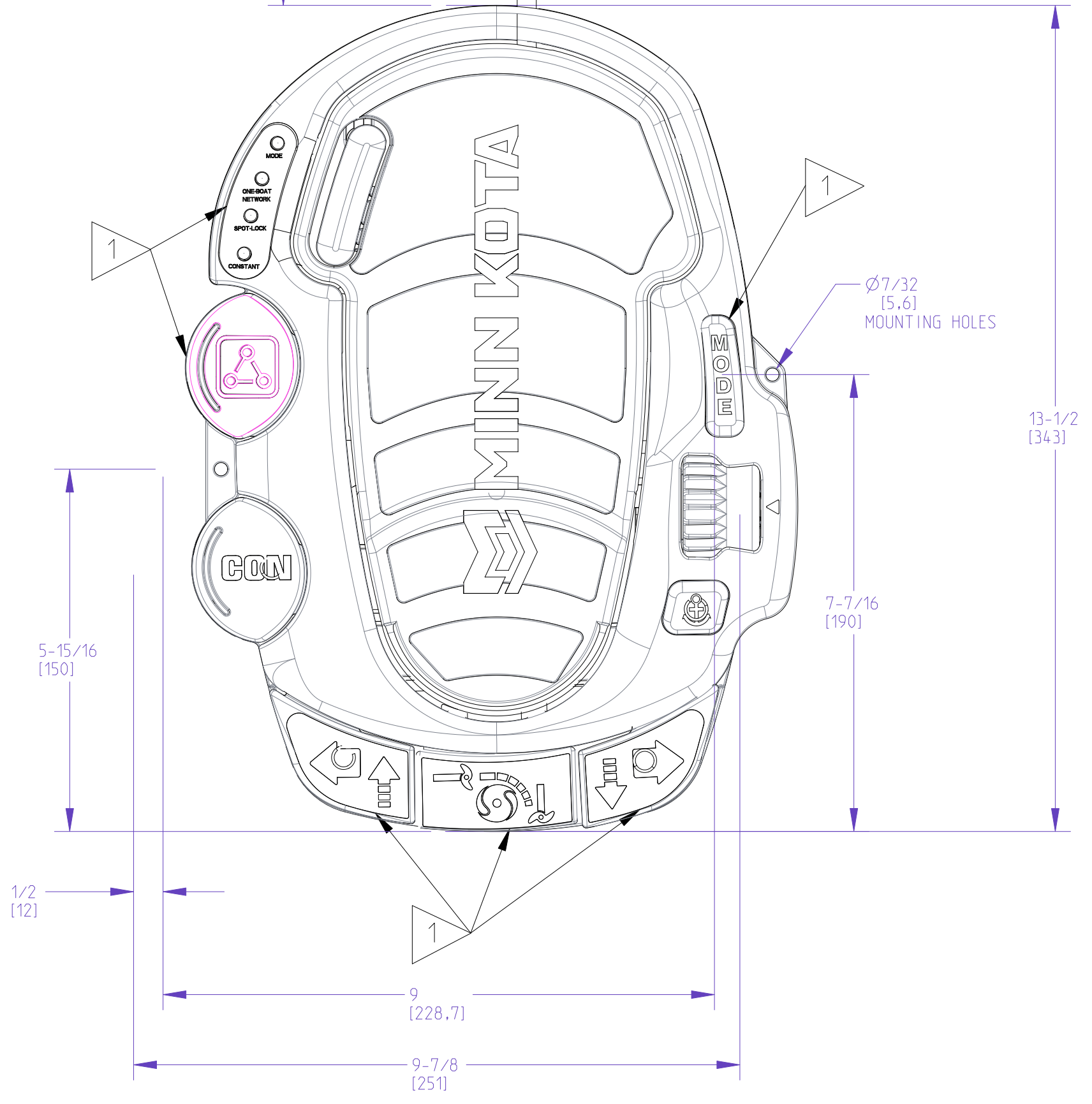
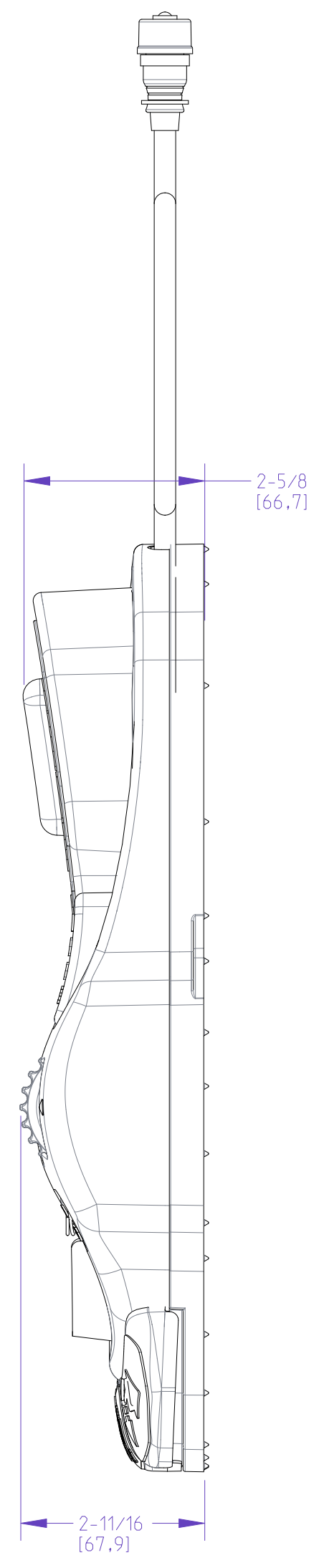
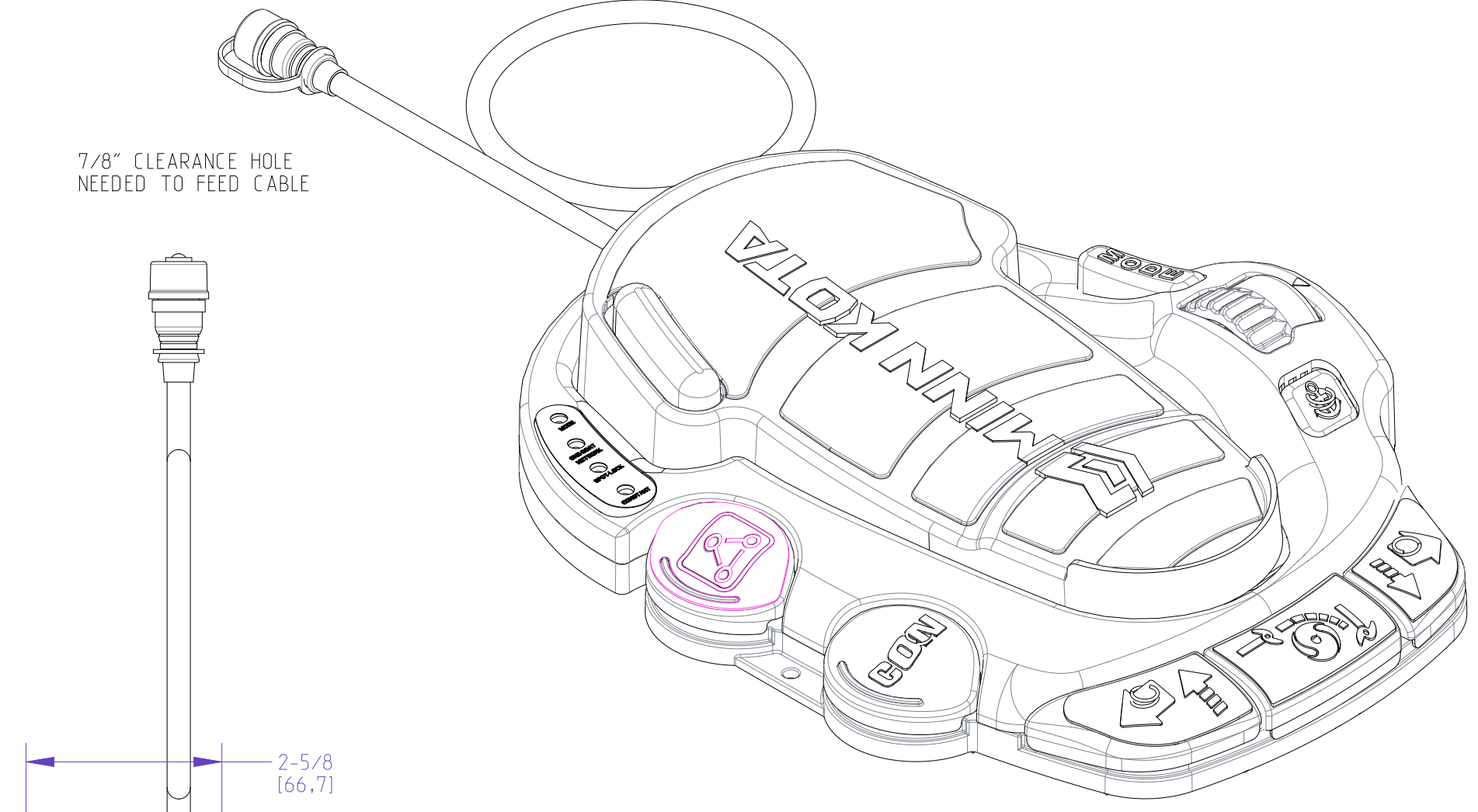
CONNECTOR VIEW

		REVISIONS		BY	DATE
REV.	ECN NO.	DESCRIPTION			
A	44080	RELEASE FOR PRODUCTION		JRL	16JUN2023
B	44198	MAKE GENERIC; SEE ECO FOR DETAILS		MLN	08AUG2023

SECTION B-B



7/8" CLEARANCE HOLE NEEDED TO FEED CABLE



Ø7/32 [5.6] MOUNTING HOLES

NOTES:

SYMBOL	NOTES
1	ICONOGRAPHY WILL VARY BY MODEL

CUSTOMER DRAWING	
JOHNSON OUTDOORS MARINE ELECTRONICS, INC.	
DRAWING NAME:	C SIZE
ELECTRIC STEER FOOT PEDAL - TERROVA, ULTERRA, INSTINCT	
DRAWING NO:	REV: B
CD0023	SHEET OF U/M: IN. [MM]

CAUTION: ALWAYS WEAR SAFETY GLASSES AND GLOVES. DISCONNECT ALL POWER BEFORE BEGINNING ANY WORK OR MAINTENANCE. JOHNSON OUTDOORS INC. IS NOT RESPONSIBLE FOR ANY DAMAGE DUE TO IMPROPER RIGGING OR INSTALLATION. IF YOU DO NOT HAVE THE SKILLS, EXPERIENCE AND TOOLS TO PERFORM THE FOLLOWING MAINTENANCE AND REPAIRS, WE RECOMMEND YOU SEEK THE HELP OF AN AUTHORIZED SERVICE CENTER. OR CONTACT OUR TECHNICAL SERVICE DEPARTMENT BY DIALING 800-227-6433.