

PORTABLE 360 BRACKET Installation Guide


532150-1_A

OVERVIEW

The Portable 360 Bracket is designed to mount on the transom of your boat, and allows you to easily install the 360 Imaging™ Transducer Deployment System without requiring a permanent installation.

PREPARATION

Following are instructions for the assembly and installation of this accessory. Before you start the installation, please take a moment to familiarize yourself with the parts and supplies lists. We also encourage you to read the instructions beforehand so that you may understand the installation requirements.

 **NOTE:** All hardware required for the installation of this accessory is either included with this accessory or with the 360 Imaging™ Transducer Deployment System [see **Parts**].

Customer Service: If you find that any items are missing from your installation kit, visit our Web site at humminbird.com or call Customer Service at **1-800-633-1468**.

Before proceeding with this installation, the Humminbird® control head should be installed. See your Humminbird® control head installation guide for instructions and the 360 Imaging™ Installation Guide.

Visit our Web site at humminbird.com to download the 360 Imaging™ Installation Guide.

Supplies

In addition to the hardware included with your Portable 360 Bracket and the 360 Imaging™ Transducer Deployment System, you will need the following supplies:

- 1/2" and 7/16" sizes in wrenches, ratchets, and sockets
- torque wrench with 5 - 7 FT/LB capacity
- 4' straight edge or level

Parts

You will need the following hardware that was provided with the Portable 360 Bracket and the 360 Imaging™ Transducer Deployment System [also see the illustration **Parts**]:


A Transom Bracket

- B** [4] 5/16" - 18 Hex Lock Nuts
- C** [4] 5/16" Split Ring Lock Washers
- D** [8] 5/16" Flat Washers
- E** [4] 5/16" - 18, 1 1/4" Bolts

F Transducer Bracket

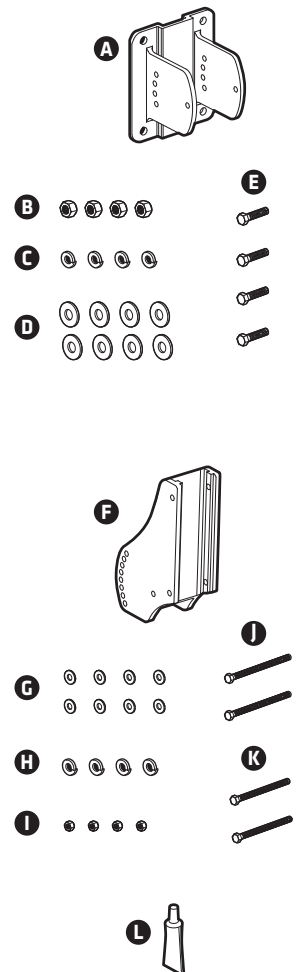
- G** [8] 1/4" - 20 Flat Washers
- H** [4] 1/4" Split Ring Lock Washers
- I** [4] 1/4" - 20 Hex Lock Nuts
- J** [2] 1/4" - 20, 3 3/4" Bolts
- K** [2] 1/4" - 20, 3 1/4" Bolts
- L** Anti-Seize Tube

 **NOTE:** Items **D** (quantity of 4) and **E** are included with your Portable 360 Bracket.

 **NOTE:** Also see the 360 Imaging™ Installation Guide.

 **NOTE:** Product supplies and features are subject to change without notice.

Parts

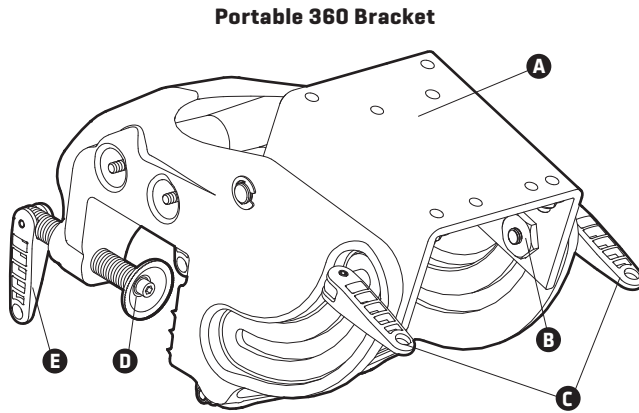


PORTABLE 360 BRACKET Installation Guide

532150-1_A

Portable 360 Bracket

Before beginning the installation, review the following information to familiarize yourself with the Portable 360 Bracket.


A Bracket Platform

The bracket platform is where you will install the transom bracket (see **Parts: A**) and the transducer bracket (see **Parts: F**).

B Bracket Tension and Angle Adjustment Screws

The bracket tension and angle adjustment screws allow you to set and adjust the angle of the bracket platform. In a later procedure, you will use the bracket tension and angle adjustment screws to level the 360 Imaging™ Transducer Deployment System on your boat.

C Angle Adjustment Handles

The angle adjustment handles are used to loosen and tighten the angle adjustment screws.

To loosen or tighten the angle adjustment screw, confirm the angle adjustment handle is parallel with the bracket. Turn the handle counterclockwise to loosen the screw and clockwise to tighten the screw.

D Clamp Screws

Use the clamp screws to secure the Portable 360 Bracket to the transom of your boat.

E Clamp Screw Handles

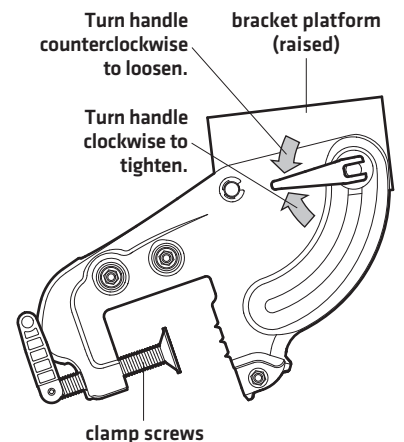
To loosen the clamp screw, turn the handle counterclockwise. To tighten the clamp screw, turn the handle clockwise.

ASSEMBLE THE PORTABLE 360 BRACKET

Before installing the Portable 360 Bracket on your boat, you will need to install the transom bracket and the transducer bracket (see **Preparation: Parts A and F**) on the Portable 360 Bracket platform (see **Preparation: Portable 360 Bracket**). See the following sections for assembly instructions.

1 | Prepare the Portable 360 Bracket for Assembly

1. Place the Portable 360 Bracket on a stable surface, with the clamp screws on the bottom.
2. Turn both angle adjustment handles to loosen the angle adjustment screws (see **Preparation: Portable 360 Bracket**).
3. Lift the angle adjustment handles, raising the bracket platform to its full height (see the illustration **Raising the Bracket Platform**). This position provides easier access when installing the hardware.

Raising the Bracket Platform


PORTABLE 360 BRACKET Installation Guide

532150-1_A

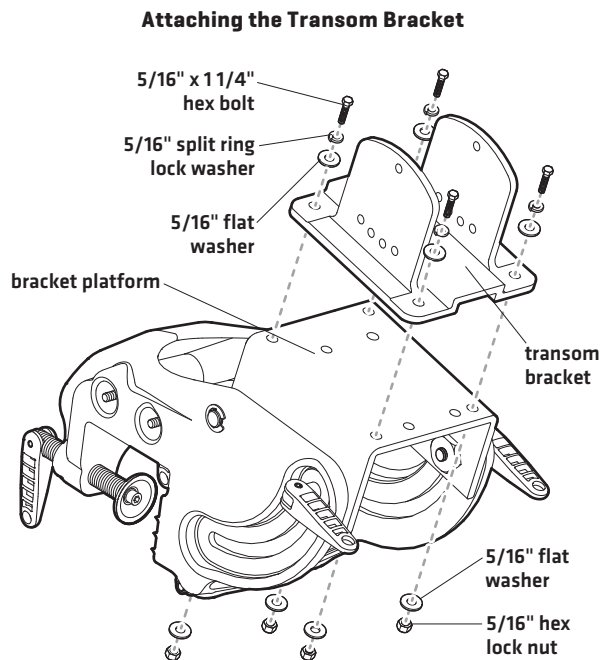
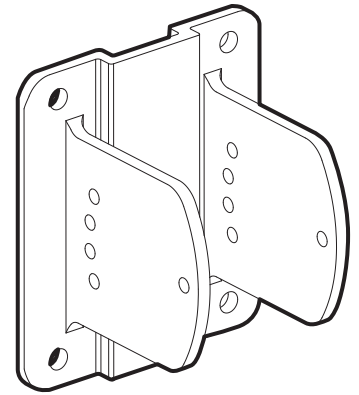
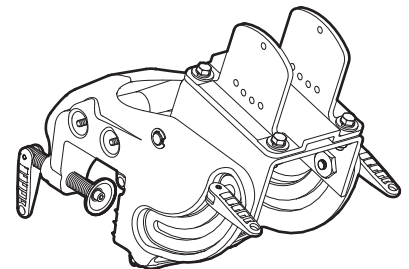
- Turn both angle adjustment handles to secure the bracket platform in place [see *Preparation: Portable 360 Bracket*].

⚠ WARNING! Do NOT overtighten the screws.

2 | Install the Transom Bracket

Use the following instructions to install the transom bracket on the Portable 360 Bracket platform.

- Align the transom bracket bolt holes over the holes on the bracket platform.
- Use the illustration *Attaching the Transom Bracket* to install the 1 1/4" [3.2 cm] bolts and hardware in each of the four bolt holes. Apply Anti-Seize to the end of each bolt as you are installing the hardware.
- Hand tighten the nuts with a socket wrench. **DO NOT OVERTIGHTEN.** You will fully tighten the nuts in a later procedure.

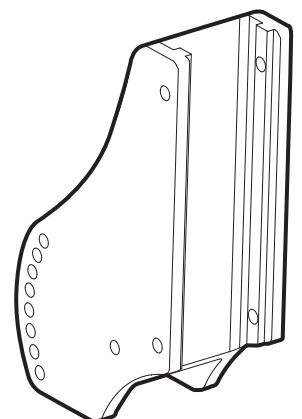

Transom Bracket

Complete Transom Bracket Installation

3 | Install the Transducer Bracket

Use the following instructions to install the transducer bracket onto the transom bracket.

- Insert the transducer bracket into the arms of the transom bracket so that the holes are aligned. You will set the angle and finalize the installation in a later procedure.

✍ NOTE: To lower the pod height by 3" [7.6 cm], the transducer bracket can be mounted upside down. This type of installation can be used if the boat's transom is very tall or if the boat has a reversed transom. See the 360 Imaging™ Installation Guide for more information.

- Install the first 3 3/4" [9.5 cm] bolt and hardware as shown in the illustration *Installing the Transducer Bracket Hardware*. Apply Anti-Seize to the end of each bolt as you are installing the hardware.
- Adjust the bracket so that the bracket holes are aligned. See the illustration *Installing the Transducer Bracket Hardware* to install the second set of hardware, using the same installation order as the first set of hardware.
- Hand tighten both bolts on the transducer bracket so it is secured. You will fully tighten the bolts in a later procedure.

Transducer Bracket


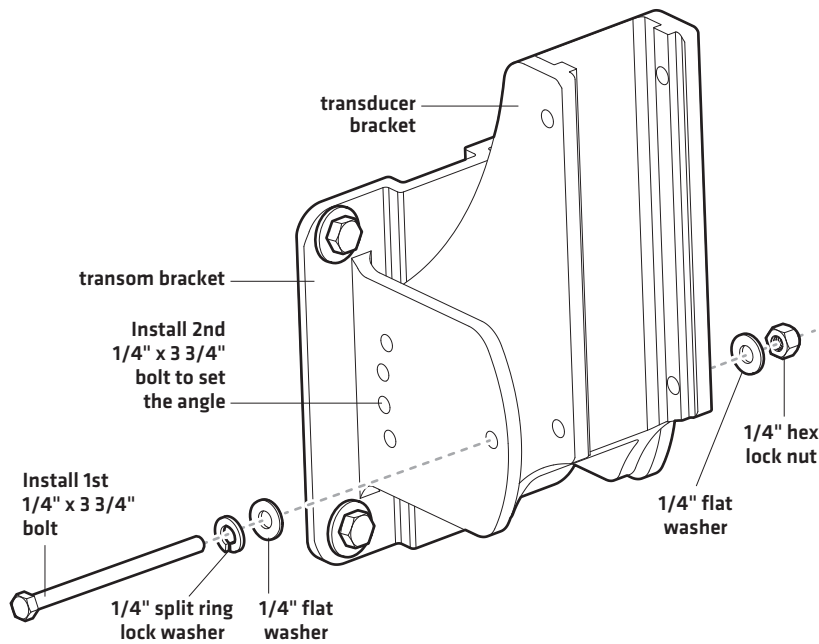
PORTABLE 360 BRACKET Installation Guide

532150-1_A

5. Turn the angle adjustment handles to loosen the angle adjustment screws and lower the bracket platform [see *Preparation: Portable 360 Bracket*].
6. Turn the angle adjustment handles to secure the brackets in place [see *Preparation: Portable 360 Bracket*].

⚠ WARNING! Do NOT overtighten the screws.

Installing the Transducer Bracket Hardware



DETERMINE THE MOUNTING LOCATION

Before installing the Portable 360 Bracket on your boat, it is important to review the mounting location requirements for the 360 Imaging™ Transducer Deployment System. See your 360 Imaging™ Installation Guide for this information.

📄 NOTE: Visit our Web site at humminbird.com to download the 360 Imaging™ Installation Guide.

INSTALL THE PORTABLE 360 BRACKET

After finalizing the Portable 360 Bracket assembly and determining the mounting location using your 360 Imaging™ Installation Guide, use the information in the following sections to install the Portable 360 Bracket on the transom of your boat.

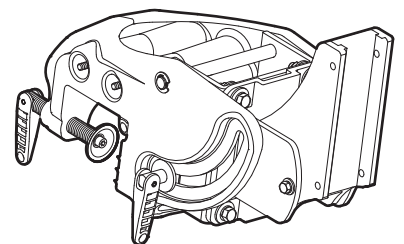
4 | Install the Portable 360 Bracket on the Boat

1. Confirm that the boat is level on the trailer, both from port to starboard and from bow to stern, by placing your level on the deck of the boat, first in one direction, then in the other.
2. Install the Portable 360 Bracket in the chosen mounting location.
3. Hand tighten the clamp screws to secure the bracket to the boat.

📄 NOTE: Confirm the clamp screws are fully tightened, but do not overtighten.

📄 NOTE: The Portable 360 Bracket must be securely installed before installing the 360 Imaging™ Transducer Deployment System.

Complete Portable 360 Bracket Assembly




PORTABLE 360 BRACKET Installation Guide

532150-1_A


4. Place a level on top of the Portable 360 Bracket platform and confirm it is level horizontally.
5. Remove the level and place it on the transducer bracket. Confirm it is level vertically [see the illustration *Adjusting the Angle of the Transducer Bracket*].
6. Once you have confirmed the brackets are level and the angle is set, fully tighten the nuts on both the transom bracket and transducer bracket.

If it is not level, adjust the angle using the angle adjustment handles and screws [see *Preparation: Portable 360 Bracket*].

 **NOTE:** You can also adjust the angle by re-installing the transducer bracket hardware on a higher or lower set of holes. See *Install the Transducer Bracket* and the 360 Imaging™ Installation Guide.

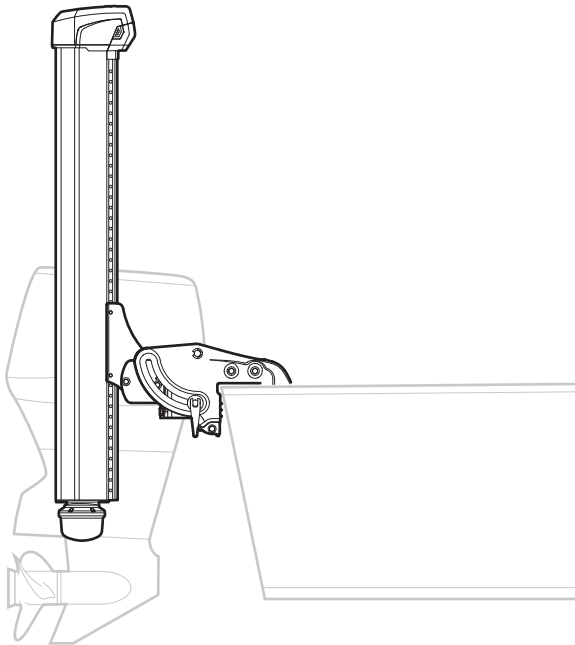
INSTALL THE 360 IMAGING™ TRANSDUCER DEPLOYMENT SYSTEM

After you have installed the Portable 360 Bracket on the transom of your boat, refer to the 360 Imaging™ Installation Guide to install the 360 Imaging™ Transducer Deployment System.

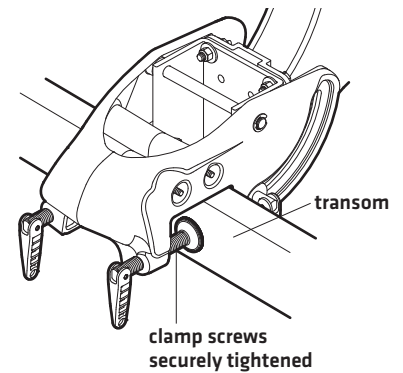
 **NOTE:** While the installation instructions in the 360 Imaging™ Installation Guide describe installing the Transducer Deployment System directly to the transom, the instructions will work the same for installing the Transducer Deployment System on the Portable 360 Bracket.

 **NOTE:** Visit our Web site at humminbird.com to download the 360 Imaging™ Installation Guide.

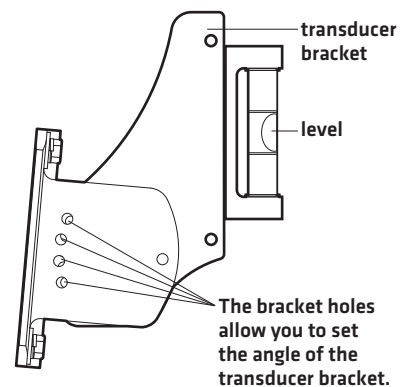
Complete Portable 360 Bracket and 360 Imaging™ Transducer Deployment System Installation



Installing the Portable 360 Bracket on the Transom

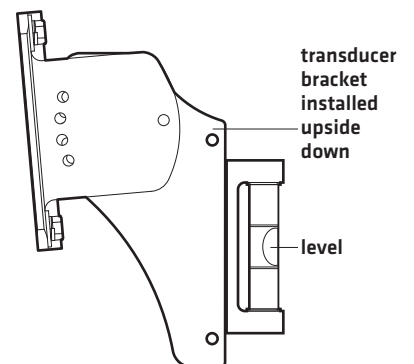


Adjusting the Angle of the Transducer Bracket



Alternative Installation


[may be needed for reversed transoms or to lower the height of the pod]





PORTABLE 360 BRACKET Installation Guide

532150-1_A

CONTACT HUMMINBIRD®**Web site** humminbird.com**E-mail** service@humminbird.com**Telephone** 1-800-633-1468**Direct Shipping** Humminbird
Service Department
678 Humminbird Lane
Eufaula, AL 36027 USA

 **WARNING!** This device should not be used as a navigational aid to prevent collision, grounding, boat damage, or personal injury. When the boat is moving, water depth may change too quickly to allow time for you to react. Always operate the boat at very slow speeds if you suspect shallow water or submerged objects.

 **WARNING!** Disassembly and repair of this electronic unit should only be performed by authorized service personnel. Any modification of the serial number or attempt to repair the original equipment or accessories by unauthorized individuals will void the warranty.

 **WARNING!** This product contains chemicals known to the State of California to cause cancer and/or reproductive harm.

ENVIRONMENTAL COMPLIANCE STATEMENT: It is the intention of Johnson Outdoors Marine Electronics, Inc. to be a responsible corporate citizen, operating in compliance with known and applicable environmental regulations, and a good neighbor in the communities where we make or sell our products.

WEEE DIRECTIVE: EU Directive 2002/96/EC “Waste of Electrical and Electronic Equipment Directive [WEEE]” impacts most distributors, sellers, and manufacturers of consumer electronics in the European Union. The WEEE Directive requires the producer of consumer electronics to take responsibility for the management of waste from their products to achieve environmentally responsible disposal during the product life cycle.

WEEE compliance may not be required in your location for electrical & electronic equipment (EEE), nor may it be required for EEE designed and intended as fixed or temporary installation in transportation vehicles such as automobiles, aircraft, and boats. In some European Union member states, these vehicles are considered outside of the scope of the Directive, and EEE for those applications can be considered excluded from the WEEE Directive requirement.



This symbol [WEEE wheelie bin] on product indicates the product must not be disposed of with other household refuse. It must be disposed of and collected for recycling and recovery of waste EEE. Johnson Outdoors Marine Electronics, Inc. will mark all EEE products in accordance with the WEEE Directive. It is our goal to comply in the collection, treatment, recovery, and environmentally sound disposal of those products; however, these requirements do vary within European Union member states. For more information about where you should dispose of your waste equipment for recycling and recovery and/or your European Union member state requirements, please contact your dealer or distributor from which your product was purchased.

ROHS STATEMENT: Product designed and intended as a fixed installation or part of a system in a vessel may be considered beyond the scope of Directive 2002/95/EC of the European Parliament and of the Council of 27 January 2003 on the restriction of the use of certain hazardous substances in electrical and electronic equipment.