

# PRECISION ONBOARD CHARGERS

**MK 106PCL, MK 212PCL, MK 318PCL, MK 110PCL,  
MK 220PCL, MK 330PCL, MK 440PCL & MK 550PCL**

**Owner's Manual**

# INTRODUCTION

## THANK YOU

Thank you for choosing Minn Kota®. We believe that you should spend more time fishing and less time positioning your boat. That's why we build the smartest, toughest, most intuitive marine products on the water. Every aspect of a Minn Kota product is thought out and rethought until it's good enough to bear our name. Countless hours of research and testing provide you the advantages of a Minn Kota product that can truly take you "Anywhere. Anytime". We don't believe in shortcuts. We are Minn Kota. And we are never done helping you catch more fish.

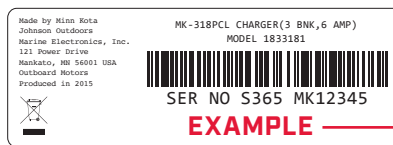
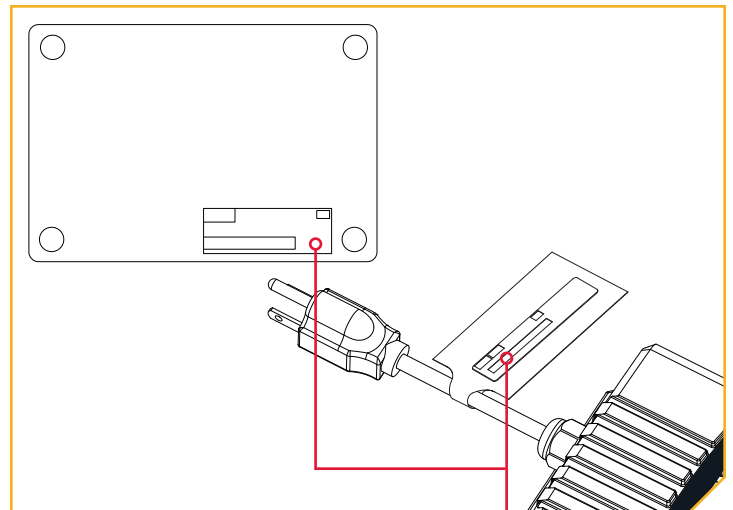
## REGISTRATION

Remember to keep your receipt and immediately register your charger. To receive all the benefits of your product warranty, please fill out and mail the registration card. You may also register your product online at [minnkotamotors.com](http://minnkotamotors.com).

## SERIAL NUMBER

Your Minn Kota 11-character serial number is very important. It helps to determine the specific model and year of manufacture. When contacting Consumer Service or registering your product, you will need to know your product's serial number. We recommend that you write the serial number down so that you have it available for future reference.

**NOTICE:** The serial number on your Precision Charger is located on the bottom of the charger and on the Warning Decal on the AC Power Cord.



## PRODUCT INFORMATION (For Consumer Reference Only)

Model: \_\_\_\_\_

Serial Number: \_\_\_\_\_

Purchase Date: \_\_\_\_\_

Store Where Purchased: \_\_\_\_\_

**NOTICE:** Do not return your Minn Kota product to your retailer. Your retailer is not authorized to repair or replace this unit. You may obtain service by: calling Minn Kota at (800) 227-6433; returning your charger to the Minn Kota Factory Service Center; sending or taking your product to any Minn Kota authorized service center. A list of authorized service centers is available on our website, at [minnkotamotors.com](http://minnkotamotors.com). Please include proof of purchase, serial number and purchase date for warranty service with any of the above options.

# TABLE OF CONTENTS

<b>SAFETY CONSIDERATIONS</b> .....	4
<b>WARRANTY</b> .....	10
<b>FEATURES</b> .....	11
<b>INSTALLATION</b> .....	12
Installation & Mounting .....	12
Locating a Mounting Location for the Charger .....	12
Mounting the Charger .....	13
Installing the MK-EC Battery Charger Extension Cable .....	14
<b>OPERATING INSTRUCTIONS</b> .....	16
Overview .....	16
Selecting the Battery Type .....	17
Setting the Battery Type .....	17
Setting Equalize Mode for Flooded Lead-Acid Batteries .....	17
General Operation .....	18
Inline Fuse .....	18
Multit-Stage Charging .....	19
LED Patterns .....	19
Charging Profile .....	20
<b>TROUBLESHOOTING</b> .....	21
<b>FREQUENTLY ASKED QUESTIONS</b> .....	22
<b>SERVICE &amp; MAINTENANCE</b> .....	23
General Maintenance .....	23
For Further Troubleshooting and Repair .....	23
<b>COMPLIANCE STATEMENTS</b> .....	24
Environmental Compliance Statements .....	24
WEEE Directive Disposal .....	24
FCC Compliance .....	25
Industry Canada Compliance .....	25
Environmental Ratings .....	25
<b>PARTS DIAGRAM &amp; PARTS LIST</b> .....	26

# SAFETY INSTRUCTIONS

## IMPORTANT SAFETY INSTRUCTIONS - SAVE THESE INSTRUCTIONS

1. SAVE THESE INSTRUCTIONS - This manual contains important safety and operating instructions for your Minn Kota battery charger. The Minn Kota battery charger is a powerful electrical device. If incorrectly installed, configured or operated, the battery charger can damage batteries and / or electrical equipment. Please thoroughly read the instructions and safety information contained in this manual before operating the battery charger.
2. Use of an attachment not recommended or sold by Johnson Outdoors Marine Electronics, Inc. may result in a risk or fire, electric shock, or injury to persons.
3. To reduce the risk of damage to electric plug and cord, pull by plug rather than cord when disconnecting charger.
4. An extension cord should not be used unless absolutely necessary. Use of improper extension cord could result in a risk of fire and electric shock. If an extension cord must be used, make sure:
  - a) That pins on plug of extension cord are the same number, size and shape as those of plug on charger;
  - b) That extension cord is properly wired and in good electrical condition; and
  - c) That wire size is large enough for ac ampere rating of charger as specified in table.

Model	AWG Size		
	25' AC Extension Cord	50' AC Extension Cord	100' AC Extension Cord
MK 106PCL	18 AWG	18 AWG	16 AWG
MK 212PCL	18 AWG	18 AWG	16 AWG
MK 318PCL	16 AWG	16 AWG	12 AWG
MK 110PCL	18 AWG	18 AWG	16 AWG
MK 220PCL	16 AWG	16 AWG	12 AWG
MK 330PCL	16 AWG	16 AWG	12 AWG
MK 440PCL	16 AWG	12 AWG	10 AWG
MK 550PCL	14 AWG	12 AWG	10 AWG

5. Do not operate charger with damaged cord or plug.
6. Do not operate charger if it has received a sharp blow, been dropped, or otherwise damaged in any way. Do not operate charger with damaged cord or plug – replace the charger immediately.
7. Do not disassemble charger.
8. To reduce risk of electric shock, unplug charger from outlet and disconnect from battery before attempting any maintenance or cleaning. Turning off controls will not reduce this risk.

## **WARNING**

### 9. WARNING - RISK OF EXPLOSIVE GASES

- a) WORKING IN VICINITY OF A LEAD-ACID BATTERY IS DANGEROUS. BATTERIES GENERATE EXPLOSIVE GASES DURING NORMAL BATTERY OPERATION. FOR THIS REASON, IT IS OF UTMOST IMPORTANCE THAT YOU FOLLOW THE INSTRUCTIONS EACH TIME YOU USE THE CHARGER.
- b) To reduce the risk of battery explosion, follow these instructions and those published by the battery manufacturer and manufacturer of any equipment you intend to use in the vicinity of the battery. Review cautionary markings on these products and on engine.



# SAFETY INSTRUCTIONS

10. External connections to the charger shall comply with the United States Coast Guard Electrical Regulation (33CFR183, SUB PART 1). For safety and compliance reasons, we recommend that you follow American Boat and Yacht Council (ABYC) standards when rigging your boat. Altering boat wiring should be completed by a qualified marine technician.

## 11. PERSONAL PRECAUTIONS

- a) Consider having someone close enough by to come to your aid when you work near a lead-acid battery.
- b) Have plenty of fresh water and soap nearby in case acid contacts skin, clothing, or eyes.
- c) Wear complete eye protection and clothing protection. Avoid touching eyes while working near battery.
- d) If battery acid contacts skin or clothing, wash immediately with soap and water. If acid enters eyes, immediately flood eye with running cold water for at least 10 minutes and get medical attention immediately.
- e) NEVER smoke or allow a spark or flame in vicinity of battery or engine.
- f) Be extra cautious to reduce risk of dropping a metal tool onto battery. It might spark or short-circuit battery or other electrical part that may cause explosion.
- g) Remove personal metal items such as rings, bracelets, necklaces, and watches when working with a lead-acid battery. A lead-acid battery can produce a short-circuit current high enough to weld a ring or the like to metal, causing a severe burn.
- h) Use charger for charging batteries only. It is not intended to supply power to a low voltage electrical system other than in a starter-motor application. Do not use battery charger for charging dry-cell batteries that are commonly used with home appliances. These batteries may burst and cause injury to persons and damage to property.
- i) NEVER charge a frozen battery.

## 12. PREPARING TO CHARGE

- a) If necessary to remove battery from boat or vehicle to charge, always remove grounded terminal from battery first. Make sure all accessories in the boat or vehicle are off, so as not to cause an arc.
- b) Be sure area around battery is well ventilated while battery is being charged.
- c) Clean battery terminals. Be careful to keep corrosion from coming in contact with eyes.
- d) Add distilled water to each cell until battery acid reaches level specified by battery manufacturer. Do not overfill. For a battery without removable cell caps, such as valve regulated lead acid batteries, carefully follow manufacturer's recharging instructions.
- e) Study all battery manufacturer's specific precautions while charging and recommended rates of charge.
- f) The Minn Kota charger will only charge 12 Volt/6 Cell Lead-acid Batteries (Flooded, Maintenance Free, or AGM) and 12 Volt Lithium (LiFePO<sub>4</sub>) Batteries (check battery manufacturer's specifications). Do not connect the output of the charger to any other voltage or battery type.

## 13. CHARGER LOCATION

- a) Locate charger as far away from battery as dc cables permit.
- b) Never place charger directly above battery being charged; gases from battery will corrode and damage charger.
- c) Never allow battery acid to drip on charger when reading electrolyte specific gravity or filling battery.
- d) Do not operate charger in a closed-in area or restrict ventilation in any way.
- e) Do not set a battery on top of charger.

# SAFETY INSTRUCTIONS



- f) Do not mount the charger below the waterline of the boat or directly adjacent to fuel tanks.
- g) Each DC output cord is six feet long. Make sure that all DC output cords can reach the batteries and that the AC power cord can reach a power source. When using an extension cord, make the AC connection to the charger outside of the battery compartment as far away as practical to reduce the risk of a spark igniting gases in the compartment.
- h) Do not shorten the DC output cords, as this can affect charger output.
- i) If the DC output cords are not long enough, they may be lengthened by splicing and soldering 12 AWG (minimum) wire. Each splice should be covered with dual wall adhesive-lined heat shrink tubing to protect the joint from corroding. The splice should be made between the fork in the output cable and the fuse holder. The fuse holder should always remain within 7" of the battery terminals. The maximum extension length is 15 feet. You may contact the Minn Kota Service Department with any questions.

## **WARNING**

j) Do not splice the AC power cord, as this voids the three year Limited Warranty.

k) Even though the Minn Kota charger is capable of operating in a high ambient temperature environment, a minimum of six inches of unobstructed area should be allowed on all sides of the unit for proper air circulation and cooling. Proper cooling and circulation will allow the charger to operate at peak efficiency.

l) Keyhole slots are not to be used for installing the charger.

14. MOUNTING THE CHARGER - Due to the weight of the charger and the impact that boats routinely endure, take the time to securely mount the charger to prevent damage. Mounting with nuts, bolts and washers is preferable to mounting with screws.

- a) Charger was designed to be mounted in any orientation on the boat.
- b) Use the largest diameter bolts possible and use all four mounting holes.
- c) After marking the locations, set the charger aside and drill the holes.
- d) Apply a marine grade silicone sealant in each of the drilled holes to create a waterproof seal.
- e) Then secure the charger in place using the mounting hardware.

**NOTICE:** Your battery charger is supplied with an AC plug holder designed to hold the power cord plug when not in use. Mount the AC plug holder with four screws in a convenient dry site to prevent corrosion to the AC plug and to prevent the AC plug from making contact with the battery posts.

## **WARNING**

f) Make sure the charger is disconnected from AC power before connecting the batteries to the output cords.

## **CAUTION**

g) Before making any connections to batteries in a confined space (such as a battery compartment of a boat), open the door or hatch of the compartment and allow it to air out for 15 minutes. This allows any gases that have accumulated in the compartment to escape.



## 15. DC CONNECTION PRECAUTIONS

a) Connect and disconnect dc output terminals only after removing ac cord from electric outlet. Never allow output terminals to touch each other.

b) Attach output terminals to battery and chassis as indicated in 16(e), 16(f), and 17(b).

## 16. FOLLOW THESE STEPS WHEN BATTERY IS INSTALLED IN VEHICLE. A SPARK NEAR BATTERY MAY CAUSE BATTERY EXPLOSION. TO REDUCE RISK OF A SPARK NEAR BATTERY:

a) Position ac and dc cords to reduce risk of damage by hood, door, or moving engine part.

b) Stay clear of fan blades, belts, pulleys, and other parts that can cause injury to persons.

c) Check polarity of battery posts. POSITIVE (POS, P, +) battery post usually has a larger diameter than NEGATIVE (NEG, N, -) post.

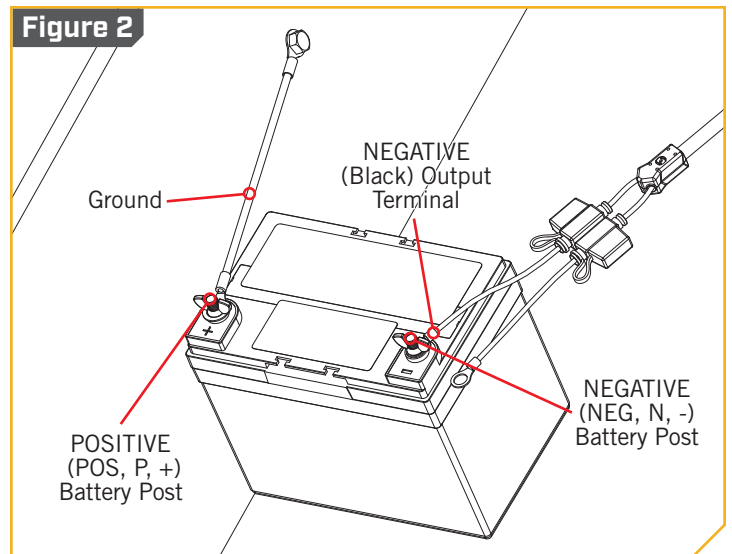
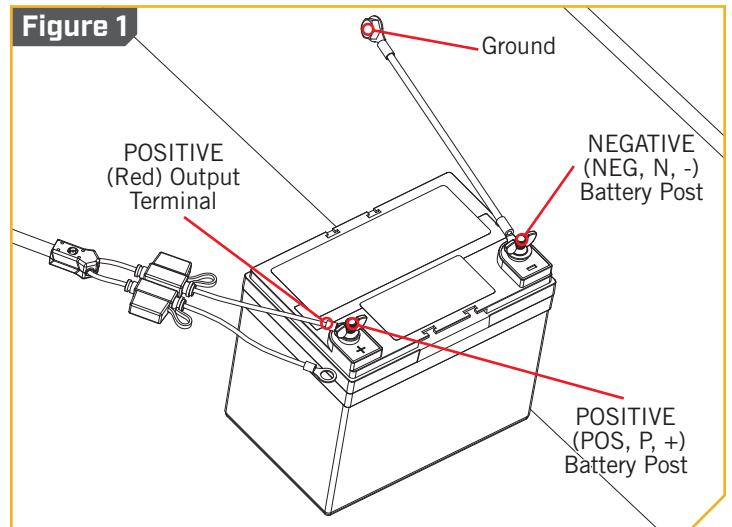
d) Determine which post of battery is grounded (connected) to the chassis. If negative post is grounded to chassis (as in most vehicles), see (e). If positive post is grounded to the chassis, see (f).

e) For negative-grounded vehicle, connect POSITIVE (RED) output terminal from battery charger to POSITIVE (POS, P, +) ungrounded post of battery. Connect NEGATIVE (BLACK) output terminal to vehicle chassis or engine block away from battery. Do not connect output terminal to carburetor, fuel lines, or sheet-metal body parts. Connect to a heavy gage metal part of the frame or engine block. (Refer to Figure 1).

f) For positive-grounded vehicle, connect NEGATIVE (BLACK) output terminal from battery charger to NEGATIVE (NEG, N, -) ungrounded post of battery. Connect POSITIVE (RED) output terminal to vehicle chassis or engine block away from battery. Do not connect output terminal to carburetor, fuel lines, or sheet-metal body parts. Connect to a heavy gage metal part of the frame or engine block. (Refer to Figure 2).

g) When disconnecting charger, disconnect AC cord, remove output terminal from vehicle chassis, and then remove output terminal from battery terminal.

h) See operating instructions for length of charge information.



# SAFETY INSTRUCTIONS



17. FOLLOW THESE STEPS WHEN BATTERY IS OUTSIDE VEHICLE. A SPARK NEAR THE BATTERY MAY CAUSE BATTERY EXPLOSION. TO REDUCE RISK OF A SPARK NEAR BATTERY:

- a) Check polarity of battery posts. POSITIVE (POS, P, +) battery post usually has a larger diameter than NEGATIVE (NEG, N, -) post.
- b) Connect POSITIVE (RED) output terminal to POSITIVE (POS, P, +) post of battery. Connect NEGATIVE (BLACK) output terminal to NEGATIVE (NEG, N, -) post of battery.
- c) Do not face battery when making final connection.
- d) When disconnecting charger, always do so in reverse sequence of connecting procedure.
- e) A marine (boat) battery does not need to be removed and charged on shore. However, instructions must be followed for location of charger when permanently mounted or used on board.

## DANGER

18. DANGER - Never alter AC cord or plug provided – if it will not fit outlet, have proper outlet installed by a qualified electrician. Improper connection can result in a risk of an electric shock.

## DANGER

19. DANGER - Do not attempt to repair or service the charger yourself. Opening the charger may expose you to high voltages, the risk of electric shock, and other hazards.

## DANGER

20. DANGER - Do not splice the AC power cord.

## CAUTION

21. CAUTION - When using an extension cord, make the AC connection to the charger outside of the battery compartment as far away as practical to reduce the risk of a spark igniting gases in the compartment.

## CAUTION

22. CAUTION - Even though the Minn Kota charger is capable of operating in a high ambient temperature environment, a minimum of six inches of unobstructed area should be allowed on all sides of the unit for proper air circulation and cooling. Proper cooling and circulation will allow the charger to operate at peak efficiency.

## CAUTION

23. CAUTION - Before making any connections to batteries in a confined space (such as a battery compartment of a boat), open the door or hatch of the compartment and allow it to air out for 15 minutes. This allows any gases that have accumulated in the compartment to escape.





**⚠ CAUTION**

24. CAUTION - We recommend that you not recharge your battery, with the watercraft or motor lower unit in the water during electrical storms. Severe damage to the motor or charging system may occur if lightning strikes nearby or if storm-related high voltage conditions exist.

**⚠ CAUTION**

25. CAUTION - If using a generator to power the charger, it must have a clean output and be safe for use on electrical equipment. Generators with a sine wave output can be used to power this charger. See the table in the Maintenance Instructions for power requirements.

**⚠ DANGER**

26. DANGER - Damaged cords and plugs can cause electric shock or electrocution.

**⚠ WARNING**

27. WARNING - Avoid serious injury or death from fire, explosion, or electric shock.

- This device must be connected to a Ground Fault Circuit Interrupt (GFCI) protected AC outlet
- When using an extension cord, connect the AC charger plug before connecting to the GFCI protected AC outlet
- Make connection in an open atmosphere free of explosive fumes
- Make connection in a secure manner that will avoid contact with the water



# WARRANTY

## WARRANTY ON MINN KOTA BATTERY CHARGERS AND BATTERY MAINTAINERS

Johnson Outdoors Marine Electronics, Inc. ("JOME") extends the following limited warranty to the original retail purchaser only. Warranty coverage is not transferable.

### Minn Kota Limited Three-Year Replacement Warranty on the Entire Product

JOME warrants to the original retail purchaser only that the purchaser's new Minn Kota battery charger will be materially free from defects in materials and workmanship appearing within three (3) years after the date of purchase. JOME will (at its option) replace, free of charge, any charger found by JOME to be defective during the term of this warranty. Such replacement shall be the sole and exclusive liability of JOME and the sole and exclusive remedy of the purchaser for breach of this warranty.

### Exclusions & Limitations

This limited warranty does not apply to products that have been commercially or for rental purposes. This limited warranty does not cover normal wear and tear, blemishes that do not affect the operation of the product, or damage caused by accidents, abuse, alteration, modification, shipping damages, acts of God, negligence of the user or misuse, improper or insufficient care or maintenance. **DAMAGE CAUSED BY THE USE OF OTHER REPLACEMENT PARTS NOT MEETING THE DESIGN SPECIFICATIONS OF THE ORIGINAL PARTS WILL NOT BE COVERED BY THIS LIMITED WARRANTY.** The cost of normal maintenance or replacement parts which are not in breach of the limited warranty are the responsibility of the purchaser. Prior to using products, the purchaser shall determine the suitability of the products for the intended use and assumes all related risk and liability. Any assistance JOME provides to or procures for the purchaser outside the terms, limitations or exclusions of this limited warranty will not constitute a waiver of the terms, limitations or exclusions, nor will such assistance extend or revive the warranty. JOME will not reimburse the purchaser for any expenses incurred by the purchaser in repairing, correcting or replacing any defective products or parts, except those incurred with JOME's prior written permission. **JOME'S AGGREGATE LIABILITY WITH RESPECT TO COVERED PRODUCTS IS LIMITED TO AN AMOUNT EQUAL TO THE PURCHASER'S ORIGINAL PURCHASE PRICE PAID FOR SUCH PRODUCT.**

### How to Obtain Warranty Service

To obtain warranty service in the U.S., Contact Minn Kota Customer Service. Contact forms are available at [www.minnkotamotors.com/contact](http://www.minnkotamotors.com/contact) or call 1-800-227-6433. After contact it will be determined if warranty replacement of the charger is required. Serial number and proof of purchase will be required to arrange warranty replacement.

Products purchased outside of the U.S. must be returned prepaid with proof of purchase (including the date of purchase and serial number) to any Authorized Minn Kota Service Center in the country of purchase.

Any charges incurred for service calls, transportation or shipping/freight to/from Minn Kota, labor to haul out, remove, re-install, or re-rig products removed for warranty service, or any other similar items are the sole and exclusive responsibility of the purchaser.

Products replaced will be warranted for the remainder of the original warranty period, or for 90 days from date of replacement, whichever is longer.

Returns without prior contact to Minn Kota Customer Service may be subject to a charge for troubleshooting and evaluation at the prevailing posted labor rate and for a minimum of at least one hour.

**NOTICE:** Do not return your Minn Kota product to your retailer. Your retailer is not authorized to repair or replace products.

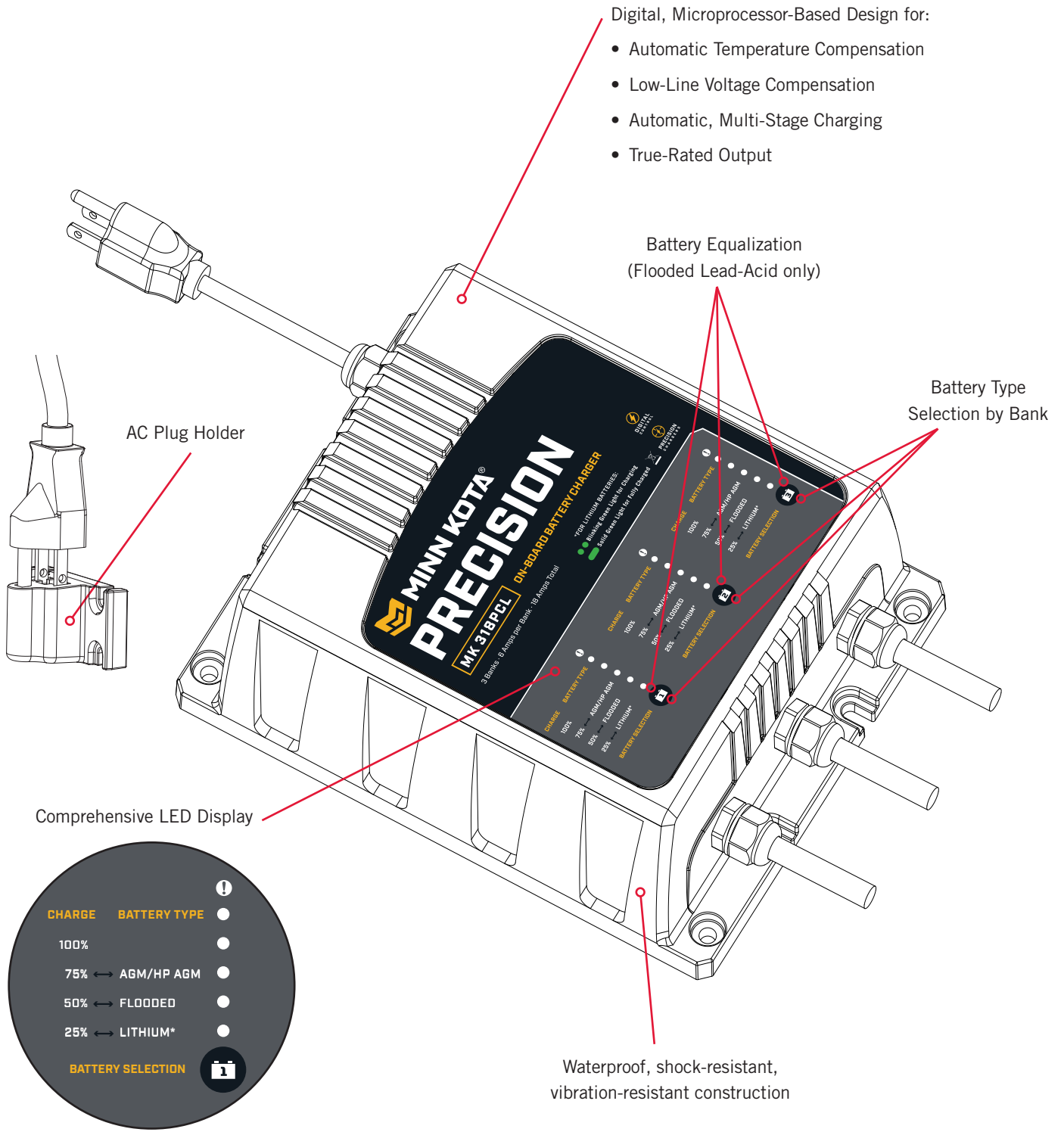
**NOTICE:** THERE ARE NO EXPRESS WARRANTIES OTHER THAN THESE LIMITED WARRANTIES. IN NO EVENT SHALL ANY IMPLIED WARRANTIES INCLUDING ANY IMPLIED WARRANTIES OF MERCHANTABILITY OR FITNESS FOR PARTICULAR PURPOSE, EXTEND BEYOND THE DURATION OF THE RELEVANT EXPRESS LIMITED WARRANTY. IN NO EVENT SHALL JOME BE LIABLE FOR PUNITIVE, INDIRECT, INCIDENTAL, CONSEQUENTIAL OR SPECIAL DAMAGES. Without limiting the foregoing, JOME assumes no responsibility for loss of use of product, loss of time, inconvenience or other damage.

### How Does State Law Apply?

Some states do not allow limitations on how long an implied warranty lasts or the exclusion or limitation of incidental or consequential damages, so the above limitations and/or exclusions may not apply to you. This warranty gives you specific legal rights and you may also have other legal rights which vary from state to state.



# FEATURES



**CHARGE**    **BATTERY TYPE**

100%    ●

75% ↔ AGM/HP AGM    ●

50% ↔ FLOODED    ●

25% ↔ LITHIUM\*    ●

**BATTERY SELECTION**

**NOTICE:** Specifications subject to change without notice. This diagram is for reference only and may differ from your actual product.

# INSTALLATION

## INSTALLATION AND MOUNTING

Please take the following recommendations into consideration when locating a mounting location and installing the charger.

### LOCATING A MOUNTING LOCATION FOR THE CHARGER »

1. Never place charger above battery being charged; gases from battery will corrode and damage charger.
2. Never allow battery acid to drip on charger when reading electrolyte specific gravity or filling battery.
3. Do not operate charger in a closed-in area or restrict ventilation in any way.
4. Do not set a battery on top of charger.
5. Do not mount the charger below the waterline of the boat or directly adjacent to fuel tanks.
6. Each DC output cord is six feet long. Make sure that all DC output cords can reach the batteries and that the AC power cord can reach a power source. When using an extension cord, make the AC connection to the charger outside of the battery compartment as far away as practical to reduce the risk of a spark igniting gases in the compartment.
7. Do not shorten the DC output cords, as this can affect charger output. If the DC output cords are not long enough, they may be lengthened by splicing and soldering 12 AWG (minimum) wire. Each splice should be covered with dual wall adhesive-lined heat shrink tubing to protect the joint from corroding. The splice should be made between the fork in the output cable and the fuse holder. The fuse holder should always remain within 7" of the battery terminals. The maximum extension length is 15 feet. You may contact the Minn Kota Service Department with any questions.

### **WARNING**

Do not splice the AC power cord, as this voids the three year Limited Warranty.

8. Even though the Minn Kota charger is capable of operating in a high ambient temperature environment, a minimum of six inches of unobstructed area should be allowed on all sides of the unit for proper air circulation and cooling. Proper cooling and circulation will allow the charger to operate at peak efficiency.

## MOUNTING THE CHARGER >

Due to the weight of the charger and the impact that boats routinely endure, take the time to securely mount the charger to prevent damage. Mounting with nuts, bolts and washers is preferable to mounting with screws.

1. Use the largest diameter bolts possible and use all four mounting holes.
2. After marking the locations, set the charger aside and drill the holes.
3. Apply a marine grade silicone sealant in each of the drilled holes to create a waterproof seal.
4. Then secure the charger in place using the mounting hardware.

## WARNING

Make sure the charger is disconnected from AC power before connecting the batteries to the output cords.

## CAUTION

Before making any connections to batteries in a confined space (such as a battery compartment of a boat), open the door or hatch of the compartment and allow it to air out for 15 minutes. This allows any gases that have accumulated in the compartment to escape.

**NOTICE:** Your battery charger is supplied with an AC plug holder designed to hold the power cord plug when not in use. Mount the AC plug holder with four screws in a convenient dry site to prevent corrosion to the AC plug and to prevent the AC plug from making contact with the battery posts.

# INSTALLATION

## INSTALLING THE MK-EC BATTERY CHARGER EXTENSION CABLE

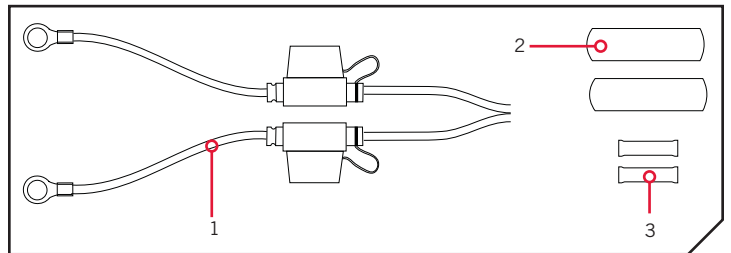
The Minn Kota Battery Charger Extension Cables are ideal for extending charger output cables that do not reach the bow, center or transom battery compartments. Features easy installation with waterproof adhesive heat shrink for use in saltwater environments. Each conductor is fused for protection against accidental short circuits.

**NOTICE:** The MK-EC Battery Charger Extension Cable (#1820089) is an optional kit that is NOT included with the charger.

### INSTALLATION PARTS LIST >

Item / Assembly	Part #	Description	Qty.
1	✘	15FT EXTENSION CABLE	1
2	✘	WIRE SPLICE	2
3	✘	ADHESIVE HEAT SHRINK	2

✘ This part is included in an assembly and cannot be ordered individually.

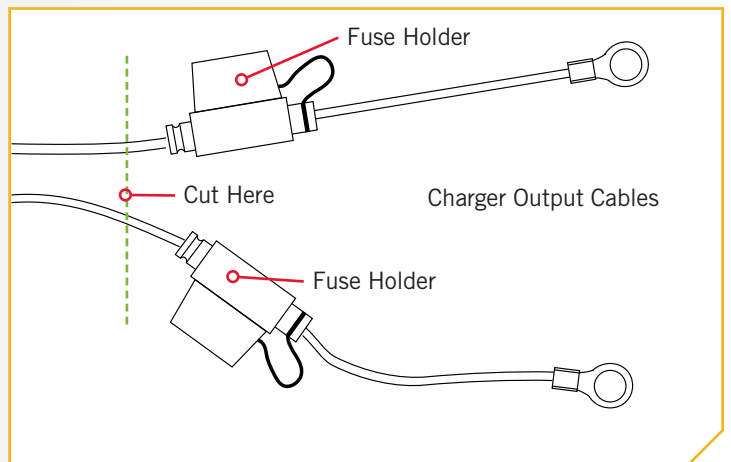


### TOOLS AND RESOURCES REQUIRED >

- Wire Cutters
- Wire Strippers
- Crimpers
- Heat Gun

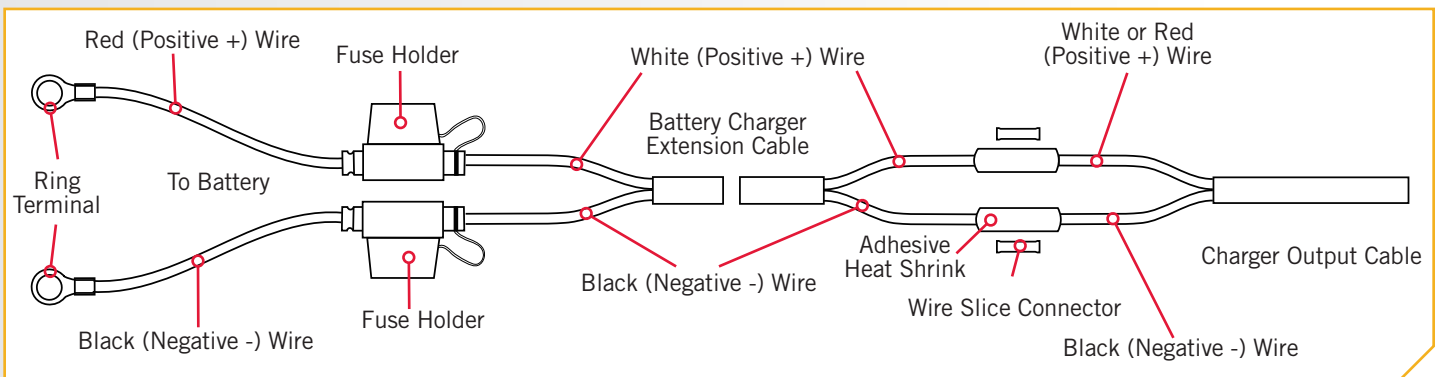
### INSTALLATION >

- Remove AC power from your charger and disconnect the charger from ALL batteries.
  - Open the door or hatch of the compartment and allow it to air out for 15 minutes. This allows any gases that have accumulated in the compartment to escape.
  - Find the Charger Output Cable you would like to extend and use the wire cutters to cut the red or white (positive) and black (negative) wires before the Fuse Holders.



## 2

- d. Remove the loose pieces of insulation from the ends of the Battery Charger Extension Cable wires and crimp the Black (Negative -) Wire into the Wire Splice connector using the crimpers.
- e. Strip the Battery Charger Output Cable wires 3/8" if they are 12AWG. Strip the Battery Charger Output Cable wires 3/4" if they are 14AWG or 16AWG.
- f. Place one of the Adhesive Heat Shrinks over the Wire Splice and onto the Black (Negative -) Wire of the Battery Charger Extension Cable.
- g. For 12AWG wire, insert the Black (Negative -) Battery Charger Output Cable into the Wire Splice and crimp using the crimpers. For 14AWG or 16AWG wire, fold the stripped Black (Negative -) Battery Charger Output Cable wire in half before inserting and crimping the wire.
- h. Center the Adhesive Heat Shrink over the Wire Splice. Using the heat gun, warm the Adhesive Heat Shrink until it seals the connection.
- i. Repeat steps d through h for connecting the Red or White (Positive +) Wires to the Wire Splice.
- j. Prepare each battery in advance by cleaning off dirt, oil, battery corrosion, etc. Use a water and baking soda solution for cleaning corrosion. Wipe using a dry cloth.
- k. Route the Battery Charger Extension Cable away from sharp objects. Do not remove the Fuse Holders, since fuses are located on both the Red (Positive +) and Black (Negative -) Wires for protection in case of a short circuit.
- l. Now connect the Battery Charger Extension Cable to the battery. Be sure to connect the Black (Negative -) Ring Terminal to the Negative (-) Battery Post and connect the Red (Positive +) Ring Terminal to the Positive (+) Battery Post.

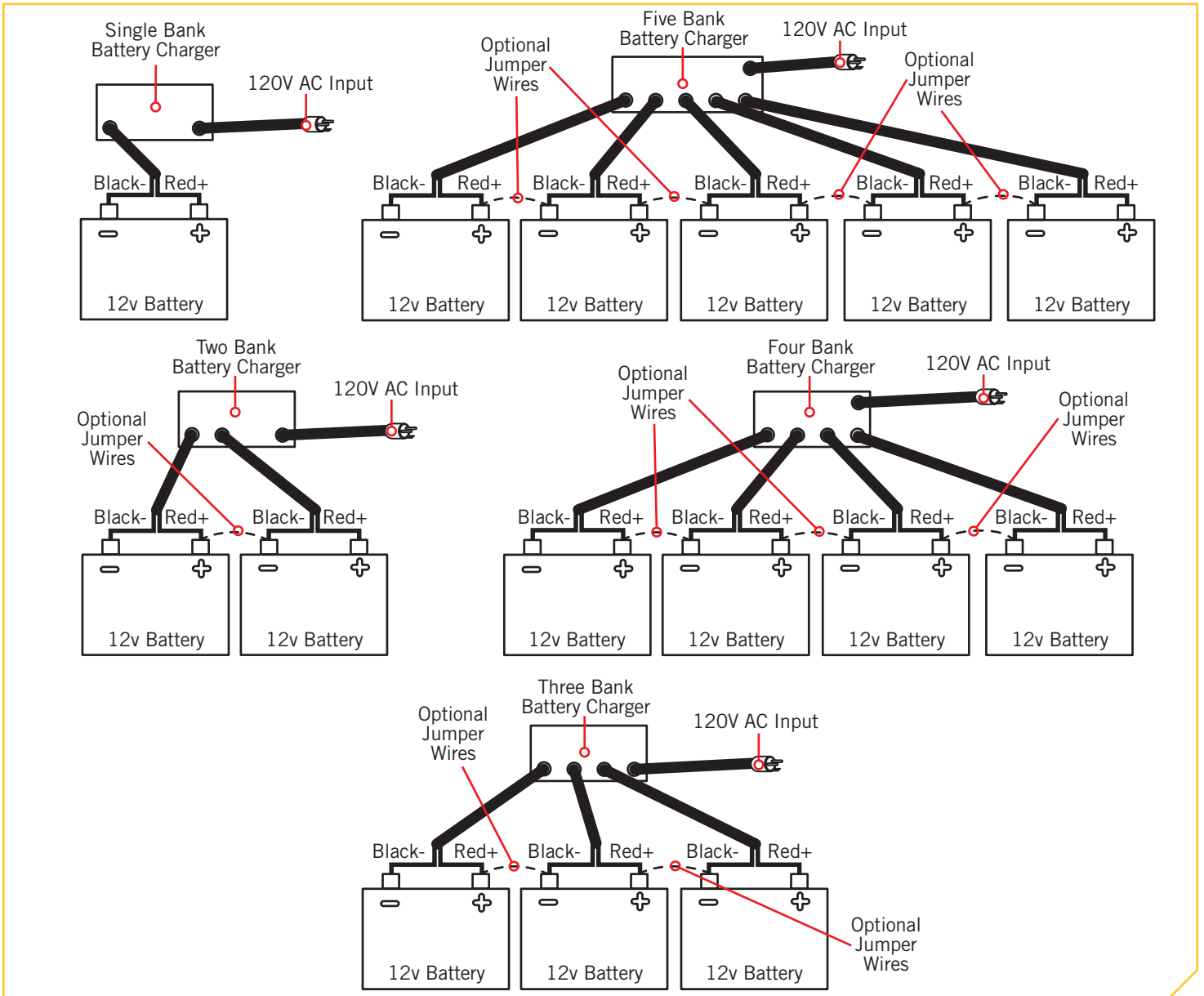


# OPERATING INSTRUCTIONS

## OVERVIEW

This is a high-performance battery charger that has the ability to properly and safely work with 12 Volt/6 Cell Lead-acid Batteries that are Flooded, Maintenance Free and AGM or 12V Lithium (LiFePO4) (check battery manufacturer's specifications) only. It is important to read and understand how to properly use the battery charger before charging batteries.

Each Output Bank is independent and isolated from one another and the AC Input. The Minn Kota charger can charge independent batteries or combinations of batteries hooked in series or parallel without disconnecting the batteries from any switches or Jumper Wires joining the batteries.



**NOTICE:** If batteries are connected in a series with Jumper Wires, those wires can be left in place during charging.



## SELECTING THE BATTERY TYPE >


The charger can be manually switched between 4 different modes:

1. AGM/High Performance AGM
2. Flooded Lead-Acid
3. Lithium (LiFePO<sub>4</sub>)
4. Equalize (for Flooded Lead-Acid)

In order to optimize the performance of your batteries or to prevent damage, you will need to properly set each charger bank for the correct battery type (each bank can be independently set). The factory default setting is Flooded Lead-Acid.

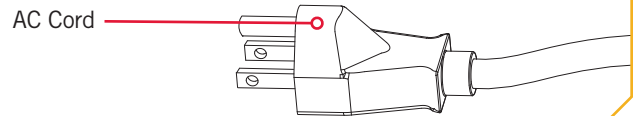
## > Setting the Battery Type

**1**

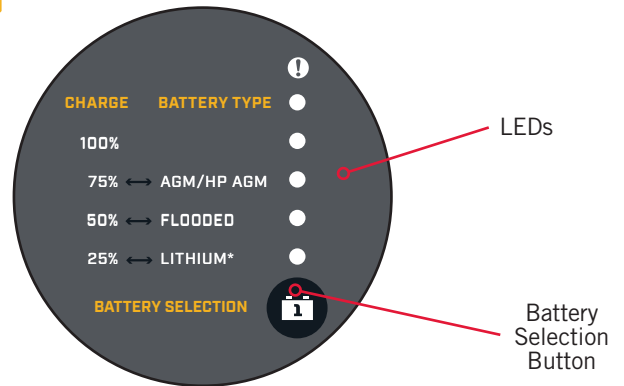
- a. Plug the charger AC cord into the AC outlet.
- b. During power up all LEDs will temporarily turn on, then just 1 YELLOW LED will remain on. This YELLOW LED will indicate the current battery type selected.
- c. To change battery type, press and hold the Battery Selection  button until the YELLOW LED indicates the desired battery type, then release the button. The battery type will be saved even if the AC cord or DC output cords are disconnected.

**NOTICE:** The battery type will be saved even if the AC cord or DC output cords are disconnected. When the charger is powered "on", the battery type selected will be recalled from memory.

**1a**



**1b**



## WARNING

Battery type is factory preset for Flooded Lead-Acid. If you are using alternate type batteries, select Lithium (LiFePO<sub>4</sub>) or AGM/High Performance AGM. Failure to select the correct battery type could result in damage to your battery and/or cause acid leaks.

## > Setting Equalize Mode for Flooded Lead-Acid Batteries

Flooded Lead-Acid batteries should be equalized per the battery manufacturers' recommendations. Only Flooded Lead-Acid batteries should be equalized. The charger will only allow selection of the Equalize Mode if the previous selection was Flooded Lead-Acid. To set Equalize Mode, press and hold the Battery Selection button until all 3 YELLOW LEDs are lit, then release the button. Once in Equalize Mode, the equalize process will only be performed one time. Once this cycle is completed or if the cycle is interrupted (by unplugging the AC or a DC cord), the charger will revert back to the Flooded Lead-Acid battery type.

# OPERATING INSTRUCTIONS




## GENERAL OPERATION >

### **WARNING**

Make sure the charger is disconnected from AC power before connecting the batteries to the output cords.

After the AC cord on the charger is plugged in and a battery is connected to the output cable correctly, the 25% charging LED will turn on. After 2 seconds, the charger will begin charging the battery. The YELLOW LEDs will indicate how far the charger is in the charging process. Once the 100% GREEN LED is blinking, the charger is holding the float voltage. The charger will hold the batteries float voltage for 24 hours. After 24 hours, the charger output will turn off and the 100% blinking GREEN LED will switch to steady GREEN. For specifics on Lithium Batteries, please see the "LED Patterns" section of this Manual.

Lithium batteries can shut themselves off after extensive use under certain conditions. This protective condition is referred to as Standby Mode. Refer to your Lithium Battery Owner's Manual to learn more about conditions that could activate Standby Mode. Your Minn Kota charger has an Auto Start system set up to automatically restart the battery a set number of times to take the Lithium Battery out of Standby Mode so that it can be charged.

**NOTICE:** If a  RED LED is blinking, reference the ERROR CONDITIONS in the "Troubleshooting" section of this manual to determine the reason and take the necessary corrective action to remedy the situation. If you are unable to remedy the situation and need help, call the Minn Kota Service Department at 1.800.227.6433 and a technical support representative will be happy to assist you.

### **CAUTION**

We recommend that you not recharge your battery, (or batteries), with the watercraft or motor lower unit in the water during electrical storms. Severe damage to the motor or charging system may occur if lightning strikes nearby or if storm- related high voltage conditions exist.

### **CAUTION**

If using a generator to power the charger, it must have a clean output and be safe for use on electrical equipment. Generators with a sine wave output can be used to power this charger. See "Power Requirements" table for details.

### **WARNING**

To reduce risk of electric shock, do not perform any servicing other than those contained in the operating instructions.

Power Requirements	
Model	Input Power (120VAC, 60Hz)
MK 106PCL	90W
MK 212PCL	180W
MK 318PCL	270W
MK 110PCL	150W
MK 220PCL	300W
MK 330PCL	450W
MK 440PCL	600W
MK 550PCL	750W

## INLINE FUSE >

Each output cord has inline fuses on the RED and BLACK leads located near the ring terminals. These fuses serve as protection from surges and short circuits caused by a damaged charger output cable. If a fuse blows, replace it with a 30 amp ATC 32V automotive fuse. Improper battery connections will normally not cause a fuse to blow since this is handled by the internal circuitry of the charger.



## MULTI-STAGE CHARGING >

Minn Kota's Multi-Stage Charging delivers a fast, precise charge profile by automatically controlling current and voltage without overcharging your batteries.

### > Bulk Mode

During this stage, the charger delivers full current until the battery reaches ~75% charge. When charging Lithium batteries, the charger will stay in Bulk Mode until the process is complete.

### > Absorption Mode

The charging current tapers down while the battery voltage is held constant. See the "Charging Profile" information for more details.

### > Mild Equalize Mode

Mild Equalize Mode is for Flooded Lead-Acid batteries only. The voltage is automatically increased with each charging cycle for a maximum of 1.5 hours to desulfate and mix fluids in each battery.

### > Equalize Mode

Equalize Mode is for Flooded Lead-Acid batteries only. The Equalize mode must be manually selected for each bank that is to be equalized. The voltage is increased for a maximum of 4 hours to desulfate and mix fluids in each battery.

### > Float Mode

When the battery reaches full charge, the charger voltage is reduced. See the "Charging Profile" table in the General Operation section of this Manual for voltages. A flashing 100% GREEN LED is lit for each bank to indicate the battery is charged and in Long Term mode and ready to use. After 24 hours, the charger outputs automatically turn off and a steady 100% GREEN LED is lit for each bank to indicate the battery is ready to use. The charger will automatically resume charging when the battery voltage drops below 12.6V.

## LED PATTERNS >

Each bank has the following LEDs:

### Lead Batteries (Flooded / AGM HP AGM):

- 25%, 50%, 75% (YELLOW) - These LEDs indicate the progress of charging.
- 100% (GREEN): Blinking GREEN LED indicates battery is fully charged in Float Mode and ready to use. Solid GREEN LED indicates battery is fully charged in long term Float Mode and ready to use.
- ⚠️ (RED) - A solid ⚠️ RED LED indicates there is an issue with a connection. A blinking ⚠️ RED LED indicates an error. See ERROR CONDITIONS in the "Troubleshooting" section of this manual.

CHARGE	BATTERY TYPE	LED
100%		⚠️
100%		●
75% ↔	AGM/HP AGM	●
50% ↔	FLOODED	●
25% ↔	LITHIUM*	●

### Lithium Batteries:

- The 100% GREEN LED will blink indicating the charging process is under way and will continue until the charging process is complete.
- When the 100% GREEN LED is solid the charging process has completed and the battery is ready to go.

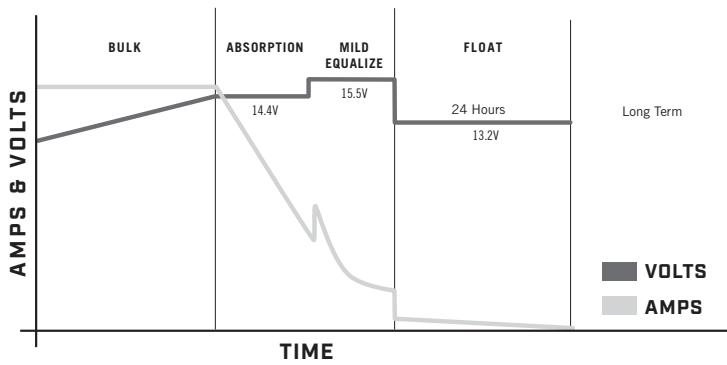
# OPERATING INSTRUCTIONS



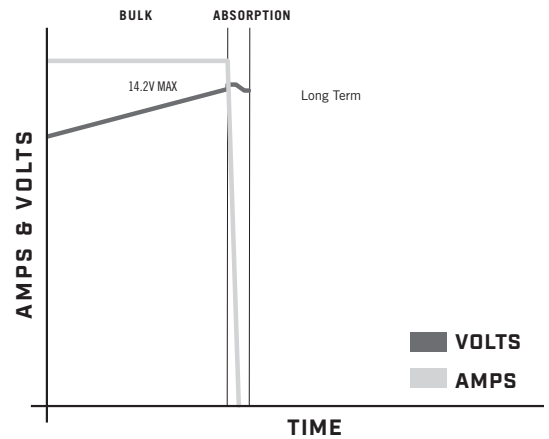
Charging Profile @ 25° C

Battery Type	End of Bulk	Equalize	Float
Flooded Lead-Acid	14.4V	15.5V	13.2V
AGM/High Performance AGM (Absorbed Glass Mat)	14.4V	n/a	13.4V
Lithium (LiFePO <sub>4</sub> )	14.2V	n/a	n/a

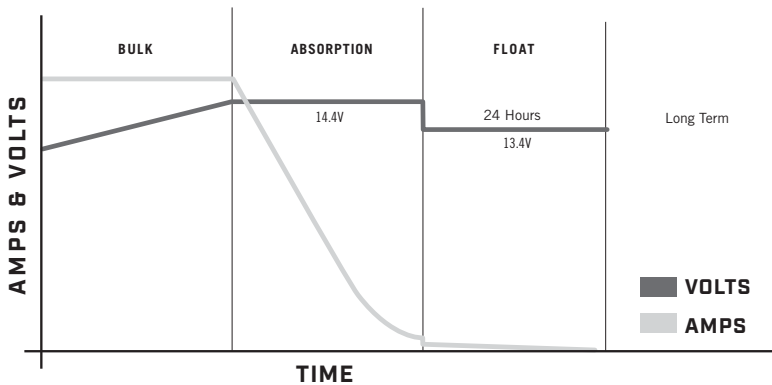
## FLOODED LEAD-ACID



## LITHIUM LiFePO<sub>4</sub>



## AGM / HP AGM



**NOTICE:** In long term storage, the charger will automatically resume the charging process beginning with Bulk Mode when the battery voltage drops below 12.6V.






## TEMPERATURE COMPENSATION

Temperature compensation is only applied to Lead-Acid Batteries (Flooded, AGM and HP AGM) and not required for Lithium Batteries. To optimally charge a Lead-Acid Battery, the charging voltages need to be adjusted as the temperature of the battery changes. As the temperature of the battery increases, the charging voltage should be decreased to prevent the battery from being over charged. As the temperature of the battery decreases, the charging voltage should be increased to prevent under-charging of the battery. Only the "End of Bulk" voltage is adjusted with temperature. For every degree C the temperature changes, the voltages are adjusted by 0.024 Volts.



# TROUBLESHOOTING

## ERROR CONDITIONS

Error	Solution
A solid  RED LED for each bank is lit	<ul style="list-style-type: none"> <li>No battery is connected to an output cord. This may also indicate a blown fuse in the fuse holder.</li> <li>The battery is connected reverse polarity.</li> <li>A short circuit.</li> <li>The battery voltage is below 0.5 volts. The bank will not charge a battery in this condition. If in Lithium Mode, the charger will attempt to wake the battery from Standby Mode.</li> <li>The battery voltage is above 16 volts. The bank will not charge a battery in this condition.</li> </ul>
A blinking  RED LED with solid 25% YELLOW LED	<ul style="list-style-type: none"> <li>The battery did not rise above 10.5V within a specific time limit or the battery did not complete the Bulk Mode stage withing a specific time limit. The battery may be damaged and will not continue to be charged.</li> </ul>
A blinking  RED LED with solid 50% YELLOW LED	<ul style="list-style-type: none"> <li>There is a damaged temperature sensor. The bank will not operate if this occurs.</li> </ul>
A blinking  RED LED with solid 75% YELLOW LED	<ul style="list-style-type: none"> <li>The charger overheated. Unplug the charger and allow it to cool before resuming the charging process.</li> </ul>
A blinking  RED LED with solid 25%, 50% and 75% YELLOW LEDs	<ul style="list-style-type: none"> <li>The charger is set to Lithium Mode and the charger exceeded the number of attempts allowed to wake the battery from Standby Mode.</li> </ul>
A blinking GREEN and 25% YELLOW LEDs	<ul style="list-style-type: none"> <li>The battery is less than 10.5 volts and the charger is in low power output safety mode. Full charging will begin once the battery reaches 10.5 volts. If the battery voltage does not rise above 10.5 volts, then make sure all loads are disconnected from the battery and try again.</li> </ul>

## Specifications Input Voltage: 95-135VAC, 60Hz

Model	Part No.	System Volts	Banks	Output per Bank (amps)	Total Output (amps)	Input Cable	Output Cable	Size D x H x W (inches)	Weight (lbs)	Input Current (120VAC, 60Hz)
MK 106PCL	1831061	12	1	6	6	18AWG - 6'	16AWG - 6'	9-7/8 x 3-1/2 x 4	4	2A
MK 212PCL	1832121	12 / 24	2	6	12	18AWG - 6'	16AWG - 6'	9-7/8 x 3-1/2 x 5-7/8	6.4	4A
MK 318PCL	1833181	12 / 24 / 36	3	6	18	18AWG - 6'	16AWG - 6'	9-7/8 x 3-1/2 x 7-3/4	8.4	6A
MK 110PCL	1831101	12	1	10	10	18AWG - 6'	16AWG - 6'	9-7/8 x 3-1/2 x 4	4	2.8A
MK 220PCL	1832201	12 / 24	2	10	20	18AWG - 6'	16AWG - 6'	9-7/8 x 3-1/2 x 5-7/8	6.4	5.6A
MK 330PCL	1833301	12 / 24 / 36	3	10	30	18AWG - 6'	16AWG - 6'	9-7/8 x 3-1/2 x 7-3/4	8.4	8.4A
MK 440PCL	1834401	12 / 24 / 36 / 48	4	10	40	16AWG - 6'	16AWG - 6'	9-7/8 x 3-1/2 x 9-7/8	10.5	11.2A
MK 550PCL	1835500	12 / 24 / 36 / 48 / 60	5	10	50	16AWG - 6'	16AWG - 6'	9-7/8 x 3-1/2 x 11-3/4	12.5	13A

# FREQUENTLY ASKED QUESTIONS

## FREQUENTLY ASKED QUESTIONS

1. How do I determine what battery type is selected on my Minn Kota PCL Charger?
  - After AC Power is applied the yellow LED located next to the corresponding battery type is illuminated for 2 seconds. After the 2 seconds completes the LEDs will then begin to indicate the state of the charging process. The battery type can also be verified while the charger is in the process of charging. To do this you simply push and release the battery selections button. The charger will then stop the charging process, indicate the battery typing using the yellow LEDs then resume the charging process.
2. How warm do Minn Kota battery chargers get?
  - Minn Kota Chargers are designed to work within the limits defined in UL 1236 for marine battery chargers. The maximum recommended ambient temperature is 122° F. Even though the Minn Kota charger is capable of operating in a high ambient temperature environment, a minimum of six inches of unobstructed area should be allowed on all sides of the unit for proper air circulation and cooling.
3. Are the chargers serviceable?
  - There are no serviceable components inside the charger.
4. Can I hook up 2 charger outputs to one battery?
  - Yes, this will charge the battery almost twice as fast because it doubles the battery charging current. The maximum safe charging current for your battery should be verified. Always check battery manufacturer's specifications for safe charging currents. For flooded lead-acid batteries, the fluid in the battery is more likely to evaporate with higher charging currents. The fluid level should be checked frequently.
5. If batteries are connected in parallel, can I use one output from my Minn Kota Charger to charge the batteries?
  - Yes, however, it will take longer to charge multiple batteries. The battery chargers are equipped with built-in safety timers to prevent overcharging of a single battery. If the time to charge multiple batteries connected in parallel exceeds specific time limits, the charger will shut off. To fully charge multiple batteries connected in parallel, you may have to unplug and re-plug in the charger to reset the safety timers and finish the charging process. When connecting batteries in parallel, the batteries should be the same make, model, age and condition. Always check battery manufacturer's specifications.
6. Will I damage my batteries if I leave the charger plugged in over long periods of time when it is not in use?
  - No. Minn Kota's On-board chargers operate in Float Mode where they maintain the battery voltage for 24 hours and then transition to Long Term Storage Mode. During this time the Charger no longer outputs power to the battery and only monitors the voltage. It will automatically resume charging when the battery voltage drops.

**NOTICE:** We have FAQs available on our website to help answer all of your Minn Kota questions. Visit [minnkotamotors.com](http://minnkotamotors.com) and click on "Frequently Asked Questions" to find an answer to your question.



# SERVICE & MAINTENANCE

## GENERAL MAINTENANCE

- Check battery charger for dirt, oil, battery corrosion, etc. Use a water and baking soda solution for cleaning corrosion. Wipe clean using a dry cloth.
- Check ring terminals for dirt, oil, and battery corrosion; then disconnect from battery posts and clean as necessary with water and baking soda solution and dry with a clean cloth.
- When the charger is not in use, coil the power cord to prevent damage.
- When storing the battery charger, store in a clean dry area.
- If power cord or plug becomes damaged, you may contact the Minn Kota Service Repair Department for service repair information. Otherwise, dispose of the battery charger in compliance with local law. Damaged cords and plugs can cause electric shock or electrocution.

## FOR FURTHER TROUBLESHOOTING AND REPAIR

We offer several options to help you troubleshoot and/or repair your product. Please read through the options listed below.

### Frequently Asked Questions

We have FAQs available on our website to help answer all of your Minn Kota questions. Visit [minnkotamotors.com](http://minnkotamotors.com) and click on “Frequently Asked Questions” to find an answer to your question.

### Call Us (for U.S. and Canada)

Our customer service representatives are available Monday – Friday between 7:00 a.m. – 4:30 p.m. CST at 800-227-6433.

### Email Us

You can email our consumer service department with questions regarding your Minn Kota products. To email your question, visit [minnkotamotors.com](http://minnkotamotors.com) and click on “Support”.

**NOTICE:** There are no serviceable components inside the charger.



Scan to visit Minn Kota service online.

# COMPLIANCE STATEMENTS

## ENVIRONMENTAL COMPLIANCE STATEMENT

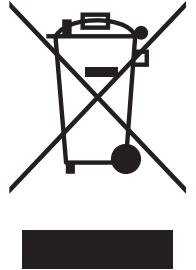
It is the intention of JOME to be a responsible corporate citizen, operating in compliance with known and applicable environmental regulations, and a good neighbor in the communities where we make or sell our products.

### WEEE DIRECTIVE

EU Directive 2002/96/EC “Waste of Electrical and Electronic Equipment Directive (WEEE)” impacts most distributors, sellers, and manufacturers of consumer electronics in the European Union. The WEEE Directive requires the producer of consumer electronics to take responsibility for the management of waste from their products to achieve environmentally responsible disposal during the product life cycle.

WEEE compliance may not be required in your location for electrical & electronic equipment (EEE), nor may it be required for EEE designed and intended as fixed or temporary installation in transportation vehicles such as automobiles, aircraft, and boats. In some European Union member states, these vehicles are considered outside of the scope of the Directive, and EEE for those applications can be considered excluded from the WEEE Directive requirement.

This symbol (WEEE wheelie bin) on product indicates the product must not be disposed of with other household refuse. It must be disposed of and collected for recycling and recovery of waste EEE. Johnson Outdoors Inc. will mark all EEE products in accordance with the WEEE Directive. It is our goal to comply in the collection, treatment, recovery, and environmentally sound disposal of those products; however, these requirements do vary within European Union member states. For more information about where you should dispose of your waste equipment for recycling and recovery and/or your European Union member state requirements, please contact your dealer or distributor from which your product was purchased.



### DISPOSAL

Minn Kota chargers are not subject to the disposal regulations EAG-VO (electric devices directive) that implements the WEEE directive. Nevertheless, never dispose of your Minn Kota charger in a garbage bin but at the proper place of collection of your local town council.

Never dispose of battery in a garbage bin. Comply with the disposal directions of the manufacturer or his representative and dispose of them at the proper place of collection of your local town council.



FCC COMPLIANCE

This device complies with Part 15 of the FCC rules. Operation is subject to the following two conditions:

- 1. This device may not cause harmful interference.
2. This device must accept any interference that may be received, including interference that may cause undesired operation.

Changes or modifications not expressly approved by Johnson Outdoors Marine Electronics, Inc. could void the user's authority to operate this equipment.

NOTICE: This equipment has been tested and found to comply with the limits for a Class A digital device, pursuant to part 15 of the FCC Rules. These limits are designed to provide reasonable protection against harmful interference in a residential installation. This equipment generates, uses and can radiate radio frequency energy and, if not installed and used in accordance with the instructions, may cause harmful interference to radio communications. However, there is no guarantee that interference will not occur in a particular installation. If this equipment does cause harmful interference to radio or television reception, which can be determined by turning the equipment off and on, the user is encouraged to try to correct the interference by one or more of the following measures:
- Reorient or relocate the receiving antenna.
- Increase the separation between the equipment and receiver.
- Connect the equipment into an outlet on a circuit different from that to which the receiver is connected.
- Consult the dealer or an experienced radio/TV technician for help.

INDUSTRY CANADA COMPLIANCE

This product meets the applicable Industry Canada technical specifications. Operation is subject to the following two conditions: (1) this device may not cause interference, and (2) this device must accept any interference, including interference that may cause undesired operation of the device.

Changes or modifications not expressly approved by Johnson Outdoors Marine Electronics, Inc. could void the user's authority to operate this equipment.

ENVIRONMENTAL RATINGS

- Ambient operating temperature range: -10C to 50C
Ambient operating humidity range: 5% to 95%
Maximum operating altitude: 10,000 feet



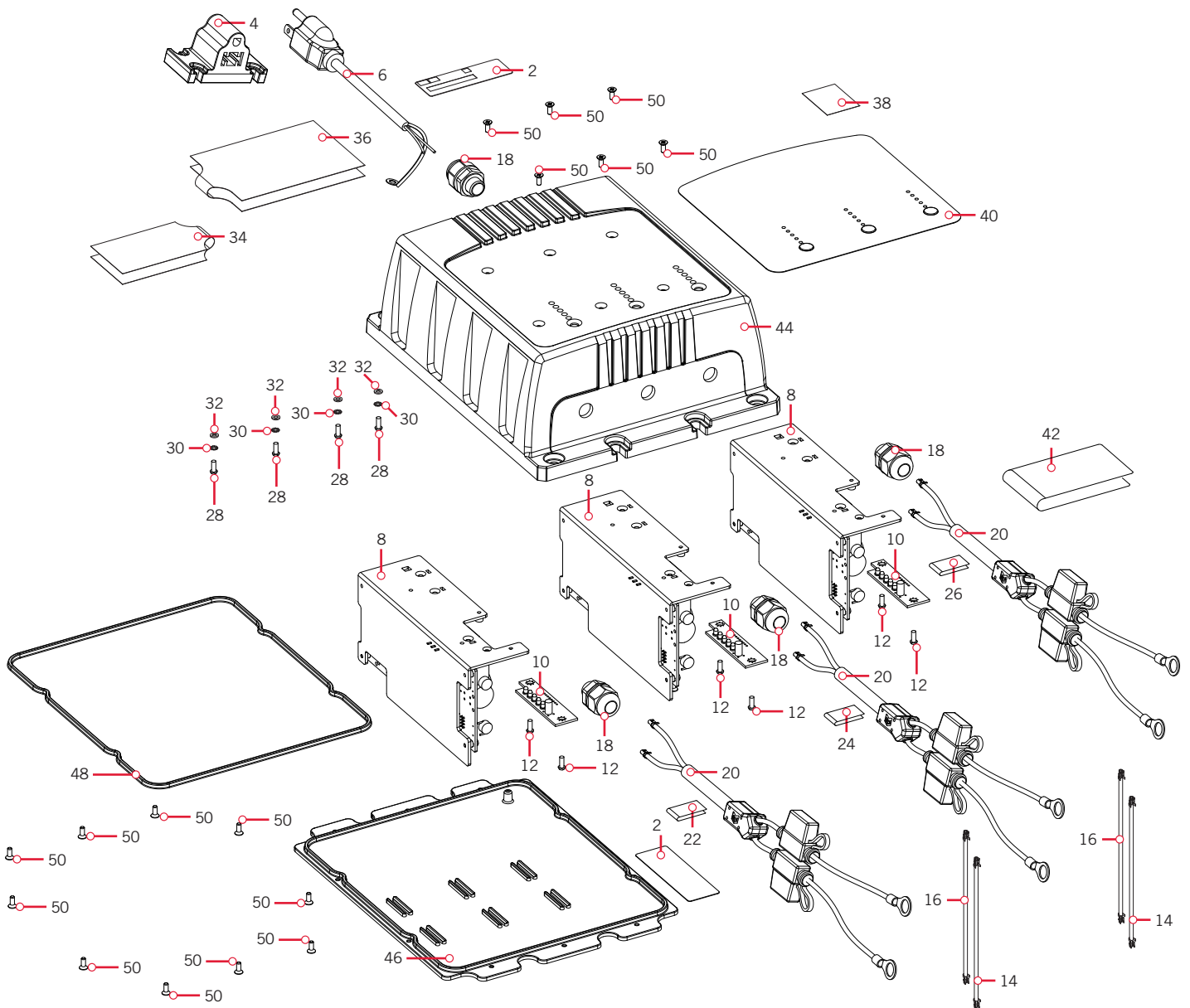
# PARTS DIAGRAM & PARTS LIST

## MK 106PC / MK 212PCL / MK 318PCL / MK 110PCL / MK 220PCL / MK 330PCL / MK 440PCL / MK 550PCL

The parts diagram and parts list provide Minn Kota WEEE compliance disassembly instructions. For more information about where you should dispose of your waste equipment for recycling and recovery and/or your European Union member state requirements, please contact your dealer or distributor from which your product was purchased. Tools required, but not limited to: wire cutters.

### MK 106PC / MK 212PCL / MK 318PCL >

### > MK 106PC / MK 212PCL / MK 318PCL Charger Parts Diagram



## PARTS DIAGRAM & PARTS LIST

### ▶ MK 106PC / MK 212PCL / MK 318PCL Charger Parts List

Item	Part #	Description	Notes	Quantity
2	✖	DECAL-SERIAL NUMBER 3" NYLON		2
4	✖	PLUG HOLDER, AC		1
▲	✖	MANUAL, 6/10A PCL CHARGER		1
6	✖	INPUT CORD, 18AWG		1
8	✖	PCB ASM, 6A PCL CHARGER		1/2/3
▲	✖	PCB, 6A PCL CHRGR		1/2/3
▲	✖	TRANSFORMER, 6A PCL CHRGR		1/2/3
▲	✖	HEAT SINK, 6/10A PCL CHRGR		1/2/3
▲	✖	INSULATOR-LG, 6/10A PCL		1/2/3
▲	✖	INSULATOR-SM, 6/10A PCL		1/2/3
10	✖	BOARD, LED, 6/10A PCL		1/2/3
12	✖	SCREW, M3, 8MM		2/4/6
▲	✖	LOCKWASHER-STAR, M4		2/4/6
▲	✖	WASHER-3MM, ZINC PLATED STEEL		2/4/6
14	✖	AC BRD CONNECT,16 AWG,WHT	*MK-212PCL* *MK-318PCL*	1/2
16	✖	AC BRD CONNECT,16 AWG,BLK	*MK-212PCL* *MK-318PCL*	1/2
18	✖	STRAIN RELIEF, METAL PCL		2/3/4
20	✖	OUTPUT CORD,2 CONDUCTOR, 16AWG		1/2/3
22	✖	DECAL-BANK 1, WRAP AROUND	*MK-212PCL* *MK-318PCL*	1
24	✖	DECAL-BANK 2, WRAP AROUND	*MK-212PCL* *MK-318PCL*	1
26	✖	DECAL, BANK 3 WRAP AROUND	*MK-318PCL*	1
28	✖	SCREW-M4, 8MM, PCL CHRGR		2/3/4
30	✖	WASHER-4MM, SPLIT LOCK		2/3/4
32	✖	WASHER-4MM, ZP STEEL		2/3/4
34	✖	LABEL-WARNING, INPUT CORD		1
36	✖	LABEL-WARNING MK-106PCL	*MK-106PCL*	1
	✖	LABEL-WARNING MK-212PCL	*MK-212PCL*	1
	✖	LABEL-WARNING MK-318PCL	*MK-318PCL*	1
38	✖	DECAL-OVERLAY,BAT.SELECT		1
40	✖	DECAL-TOP, MK-106PCL CHRGR	*MK-106PCL*	1
	✖	DECAL-TOP, MK-212PCL CHRGR	*MK-212PCL*	1
	✖	DECAL-TOP, MK-318PCL CHRGR	*MK-318PCL*	1
42	✖	DECAL-ERROR CODE 6/10A PCL		1
44	✖	COVER-DIECAST, 1 BNK PCL	*MK-106PCL*	1
	✖	COVER-DIECAST, 2 BNK PCL	*MK-212PCL*	1
	✖	COVER-DIECAST, 3 BNK PCL	*MK-318PCL*	1

✖ This part is included in an assembly and cannot be ordered individually.

▲ Not shown on Parts Diagram.

# PARTS DIAGRAM & PARTS LIST



Item	Part #	Description	Notes	Quantity
46	✘	BASE-DIECAST, 1 BNK PCL	*MK-106PCL*	1
	✘	BASE-DIECAST, 2 BNK PCL	*MK-212PCL*	1
	✘	BASE-DIECAST, 3 BNK PCL	*MK-318PCL*	1
48	✘	GASKET, 1 BNK 6/10A PCL	*MK-106PCL*	1
	✘	GASKET, 2 BNK 6/10A PCL	*MK-212PCL*	1
	✘	GASKET, 3 BNK 6/10A PCL	*MK-318PCL*	1
50	✘	SCREW-M3 FLAT,8MM 6/10 PCL		10/14/18

✘ This part is included in an assembly and cannot be ordered individually.

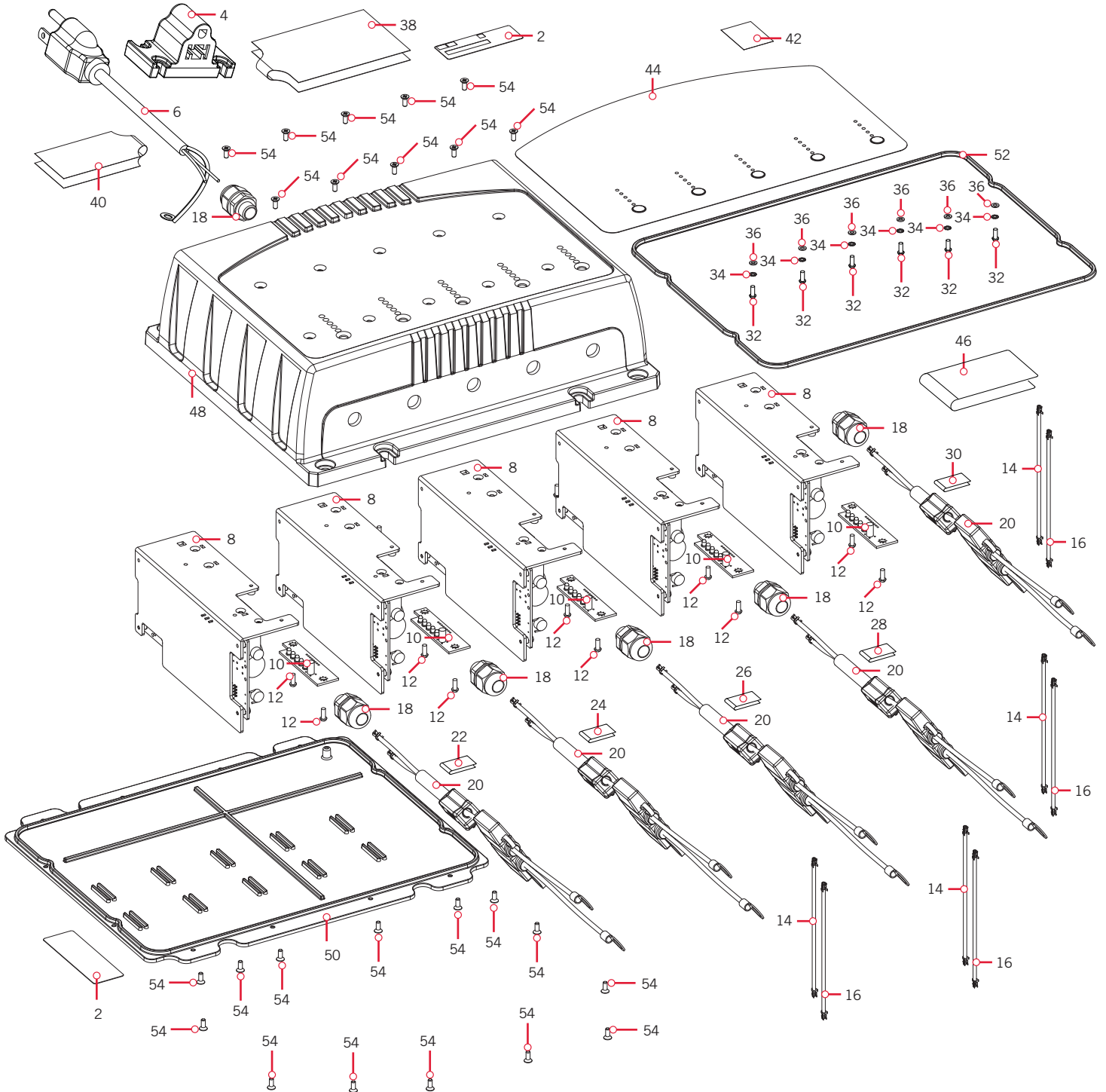
▲ Not shown on Parts Diagram.





MK 110PCL / MK 220PCL / MK 330PCL / MK 440PCL / MK 550PCL >

## > MK 110PCL / MK 220PCL / MK 330PCL / MK 440PCL / MK 550PCL Charger Parts Diagram



## PARTS DIAGRAM & PARTS LIST

### › MK 110PCL / MK 220PCL / MK 330PCL / MK 440PCL / MK 550PCL Charger Parts List

Item	Part #	Description	Notes	Quantity
2	✖	DECAL-SERIAL NUMBER 3" NYLON		2
4	✖	PLUG HOLDER, AC		1
▲	✖	MANUAL, 6/10A PCL CHARGER		1
6	✖	INPUT CORD, 18AWG		1
8	✖	PCB ASM, 10A PCL CHARGER		1/2/3/4/5
▲	✖	PCB, 10A PCL CHRGR		1/2/3/4/5
▲	✖	TRANSFORMER, 10A PCL CHRGR		1/2/3/4/5
▲	✖	HEAT SINK, 6/10A PCL CHRGR		1/2/3/4/5
▲	✖	INSULATOR-LG, 6/10A PCL		1/2/3/4/5
▲	✖	INSULATOR-SM, 6/10A PCL		1/2/3/4/5
10	✖	BOARD, LED, 6/10A PCL		1/2/3/4/5
12	✖	SCREW, M3, 8MM		2/3/4/5/6
▲	✖	LOCKWASHER-STAR, M4		2/3/4/5/6
▲	✖	WASHER-3MM, ZINC PLATED STEEL		2/3/4/5/6
14	✖	AC BRD CONNECT,16 AWG,WHT	*MK-220PCL* *MK-330PCL* *MK-440PCL*	1/2/3/4
16	✖	AC BRD CONNECT,16 AWG,BLK	*MK-220PCL* *MK-330PCL* *MK-440PCL*	1/2/3/4
18	✖	STRAIN RELIEF, METAL PCL		2/3/4/5/6
20	✖	OUTPUT CORD,2 CONDUCTOR, 16AWG		1/2/3/4/5
22	✖	DECAL-BANK 1, WRAP AROUND	*MK-220PCL* *MK-330PCL* *MK-440PCL* *MK-550PCL*	1
24	✖	DECAL-BANK 2, WRAP AROUND	*MK-220PCL* *MK-330PCL* *MK-440PCL* *MK-550PCL*	1
26	✖	DECAL, BANK 3 WRAP AROUND	*MK-330PCL* *MK-440PCL* *MK-550PCL*	1
28	✖	DECAL, BANK 4 WRAP AROUND	*MK-440PCL* *MK-550PCL*	1
30	✖	DECAL BANK 5 WRAP AROUND	*MK-550PCL*	1
32	✖	SCREW-M4, 8MM, PCL CHRGR		2/3/4/5/6
34	✖	WASHER-4MM, SPLIT LOCK		2/3/4/5/6
36	✖	WASHER-4MM, ZP STEEL		2/3/4/5/6
38	✖	LABEL-WARNING MK-110PCL	*MK-110PCL*	1
	✖	LABEL-WARNING MK-220PCL	*MK-220PCL*	1
	✖	LABEL-WARNING MK-330PCL	*MK-330PCL*	1
	✖	LABEL-WARNING MK-440PCL	*MK-440PCL*	1
	✖	LABEL-WARNING MK-550PCL	*MK-550PCL*	1
40	✖	LABEL-WARNING, INPUT CORD		1
42	✖	DECAL-OVERLAY,BAT.SELECT		1

✖ This part is included in an assembly and cannot be ordered individually.

▲ Not shown on Parts Diagram.

## PARTS DIAGRAM & PARTS LIST

Item	Part #	Description	Notes	Quantity
44	✘	DECAL-TOP, MK-110PCL CHRGR	*MK-110PCL*	1
	✘	DECAL-TOP, MK-220PCL CHRGR	*MK-220PCL*	1
	✘	DECAL-TOP, MK-330PCL CHRGR	*MK-330PCL*	1
	✘	DECAL-TOP, MK-440PCL CHRGR	*MK-440PCL*	1
	✘	DECAL-TOP, MK-550PCL CHRGR	*MK-550PCL*	1
46	✘	DECAL-ERROR CODE 6/10A PCL		1
48	✘	COVER-DIECAST, 1 BNK PCL	*MK-110PCL*	1
	✘	COVER-DIECAST, 2 BNK PCL	*MK-220PCL*	1
	✘	COVER-DIECAST, 3 BNK PCL	*MK-330PCL*	1
	✘	COVER-DIECAST, 4 BNK PCL	*MK-440PCL*	1
	✘	COVER-DIECAST, 5 BNK PCL	*MK-550PCL*	1
50	✘	BASE-DIECAST, 1 BNK PCL	*MK-110PCL*	1
	✘	BASE-DIECAST, 2 BNK PCL	*MK-220PCL*	1
	✘	BASE-DIECAST, 3 BNK PCL	*MK-330PCL*	1
	✘	BASE-DIECAST, 4 BNK PCL	*MK-440PCL*	1
	✘	BASE-DIECAST, 5 BNK PCL	*MK-550PCL*	1
52	✘	GASKET, 1 BNK 6/10A PCL	*MK-110PCL*	1
	✘	GASKET, 2 BNK 6/10A PCL	*MK-220PCL*	1
	✘	GASKET, 3 BNK 6/10A PCL	*MK-330PCL*	1
	✘	GASKET, 4 BNK 6/10A PCL.	*MK-440PCL*	1
	✘	GASKET, 5 BNK 6/10A PCL	*MK-550PCL*	1
54	✘	SCREW-M3 FLAT,8MM 6/10 PCL		10/14/18/22/24

✘ This part is included in an assembly and cannot be ordered individually.

▲ Not shown on Parts Diagram.

# RECOMMENDED ACCESSORIES

## › CHARGER OUTPUT EXTENSION CABLES

Extension cables are ideal when standard charger cables will not reach bow, center or transom battery compartments. Features WAGO® Wall-Nut™ quick connectors (UL Listed).

Fused (30 amp) positive and negative leads.

Available in 15' length.



MK-EC-15

## › AC POWER PORT (Freshwater & Saltwater)

Our convenient adapter allows quick thru-hull connection to an AC extension cord using the male AC plug from any of our chargers. No cutting or splicing required. The watertight cover and gasket prevent corrosion on the AC plug when it isn't in use.



MKR-21



MKR-23

## › TALON SHALLOW WATER ANCHOR

Introducing the all-new, sleek redesigned Talon. Talon is the only shallow water anchor with up to 15' of anchoring depth, multiple anchoring modes, and control from the bow, transom, console, remote or mobile device.



### BUILT-IN WORK LIGHT

Lets you tie lines and work from the transom any time of day — or night. Includes both white and blue LED lights with three brightness settings.



### UP TO 15' DEEP

Control more water and catch more fish with the first 15' shallow water anchor.



### MORE CONTROL OPTIONS

- Control Panel
- Wireless Remote
- Mobile App
- Wireless Foot Switch
- Humminbird® Connectivity
- i-Pilot® & i-Pilot Link™ Remote



### BLUETOOTH® CONNECTIVITY

Lets you control Talon from your mobile device and easily update it. Also opens up communication to other control options.

## › MINN KOTA ACCESSORIES

We offer a wide variety of trolling motor accessories, including:

- 60-Amp Circuit Breaker
- Mounting Brackets
- Stabilizer Kits
- Extension Handles
- Battery Connectors
- Battery Boxes
- Quick Connect Plugs

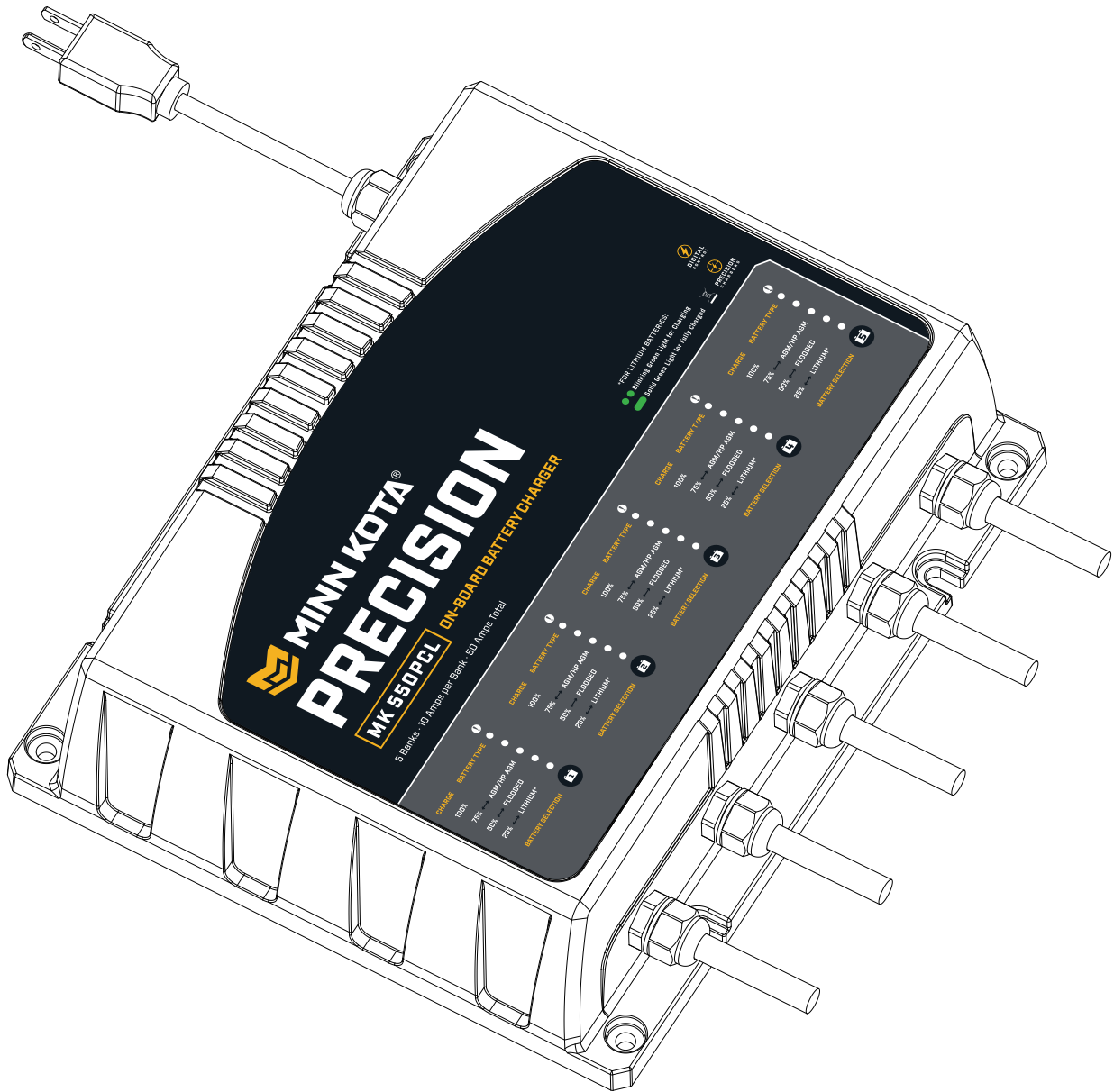


Minn Kota Consumer & Technical Service  
Johnson Outdoors Marine Electronics, Inc.  
PO Box 8129  
Mankato, MN 56001

121 Power Drive  
Mankato, MN 56001  
Phone (800) 227-6433  
Fax (800) 527-4464



©2021 Johnson Outdoors Marine Electronics, Inc.  
All rights reserved.



# CHARGEURS DE BORD PRECISION

**MK 106PCL, MK 212PCL, MK 318PCL, MK 110PCL,  
MK 220PCL, MK 330PCL, MK 440PCL ET MK 550PCL**

**Manuel du propriétaire**

# PRÉSENTATION

## MERCI

Nous vous remercions d'avoir choisi Minn Kota®. Nous sommes persuadés que vous devriez consacrer plus de temps à pêcher et moins de temps à amarrer votre embarcation. C'est la raison pour laquelle nous construisons les produits marins les plus intelligents, les plus solides et les plus intuitifs. Chaque aspect d'un produit Minn Kota est envisagé et étudié jusqu'à ce qu'il soit digne de porter notre nom. Des heures incalculables de recherche et d'essai vous assurent les avantages d'un produit Minn Kota qui vous mènera « n'importe où, n'importe quand ». Notre principe est simple, nous faisons les choses selon les règles. Nous sommes Minn Kota. Et nous ne cesserons jamais de vous aider à pêcher plus de poissons.

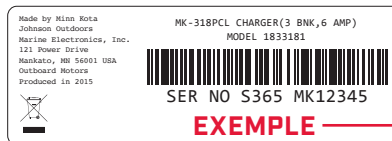
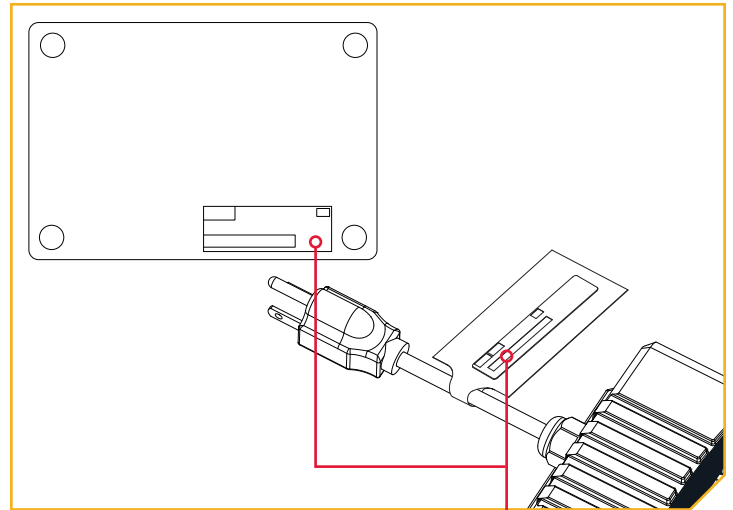
## ENREGISTREMENT

N'oubliez pas de conserver votre reçu et d'enregistrer immédiatement votre chargeur. Pour recevoir tous les avantages de la garantie de votre produit, veuillez remplir la carte d'enregistrement et la retourner par la poste. Vous pouvez aussi enregistrer votre produit en ligne sur [minnkotamotors.com](http://minnkotamotors.com).

## NUMÉRO DE SÉRIE

Le numéro de série à 11 caractères Minn Kota est très important. Cela permet de déterminer le modèle spécifique et l'année de fabrication. Lorsque vous contactez le service à la clientèle ou que vous enregistrez votre produit, vous aurez besoin du numéro de série de votre produit. Nous vous suggérons d'écrire le numéro de série afin qu'il soit disponible à des fins de référence future.

**AVIS :** Le numéro de série de votre chargeur Precision se trouve en dessous du chargeur et sur l'autocollant d'avertissement sur le cordon d'alimentation CA.



## INFORMATIONS SUR LE PRODUIT (À des fins de référence par le client seulement)

Modèle : \_\_\_\_\_

Numéro de série : \_\_\_\_\_

Date de l'achat : \_\_\_\_\_

Magasin où l'achat a été effectué : \_\_\_\_\_

**AVIS :** ne pas retourner le produit Minn Kota au détaillant. Le détaillant n'est pas autorisé à réparer ou à remplacer cette unité. Vous pouvez obtenir un service en appelant Minn Kota au 1 800 227-6433; en retournant votre chargeur au Centre de service de la manufacture Minn Kota ainsi qu'en envoyant ou en apportant votre produit à un centre de service agréé Minn Kota. Une liste de centres de service agréés est disponible sur notre site Web, à [minnkotamotors.com](http://minnkotamotors.com). Pour obtenir un service au titre de la garantie, y compris toutes les options susmentionnées, veuillez inclure la preuve d'achat, le numéro de série et la date d'achat.

# TABLE DES MATIÈRES

<b>CONSIGNES DE SÉCURITÉ</b> .....	36
<b>GARANTIE</b> .....	42
<b>CARACTÉRISTIQUES</b> .....	43
<b>INSTALLATION</b> .....	44
Installation et montage.....	44
Trouver un endroit pour le montage du chargeur.....	45
Montage du chargeur.....	45
Installation du câble de rallonge du chargeur de batterie MK-EC.....	46
<b>MODE D'EMPLOI</b> .....	48
Vue d'ensemble.....	48
Sélection du type de batterie.....	49
Définition du type de batterie.....	49
Programmation du mode Égalisation pour les batteries plomb-acide.....	49
Fonctionnement général.....	50
Fusible en ligne.....	50
Charge multi-phase.....	51
Séquences des DEL.....	51
Profil de charge.....	52
<b>DÉPANNAGE</b> .....	53
<b>FOIRE AUX QUESTIONS</b> .....	54
<b>SERVICE ET ENTRETIEN</b> .....	55
Entretien général.....	55
Pour d'autres services de dépannage et de réparation.....	55
<b>DÉCLARATIONS DE CONFORMITÉ</b> .....	56
Déclarations de conformité environnementale.....	56
Directive d'élimination DEEE.....	56
Conformité aux normes FCC.....	57
Conformité aux normes d'Industrie Canada.....	57
Cotes environnementales.....	57
<b>SCHÉMA DES PIÈCES ET LISTE DES PIÈCES</b> .....	58



# CONSIGNES DE SÉCURITÉ

## IMPORTANTES CONSIGNES DE SÉCURITÉ - CONSERVER CES CONSIGNES

1. CONSERVER CES CONSIGNES - Ce manuel contient d'importantes consignes de sécurité et d'utilisation pour votre chargeur de batterie Minn Kota. Le chargeur de batterie Minn Kota est un appareil électrique puissant. S'il est mal installé, configuré ou utilisé, le chargeur de batterie peut endommager les batteries ou le matériel électrique. Veuillez lire attentivement les consignes et l'information de sécurité qui figurent dans ce manuel avant d'utiliser le chargeur de batterie.
2. L'emploi de tout accessoire non recommandé ou vendu par Johnson Outdoors Marine Electronics, Inc. peut provoquer un risque d'incendie, de choc électrique ou de blessure corporelle.
3. Pour réduire le risque d'endommager le cordon d'alimentation et la fiche électrique, débrancher le chargeur en tirant sur la fiche plutôt que sur le cordon.
4. Aucune rallonge ne devrait être utilisée, sauf si absolument nécessaire. L'emploi d'une rallonge inappropriée peut provoquer un risque d'incendie ou de choc électrique. Si l'emploi d'une rallonge s'avère nécessaire, s'assurer :
  - a) que la rallonge compte le même nombre de broches que la fiche et qu'elles sont de même calibre et de même forme que la fiche du chargeur;
  - b) que la rallonge est correctement câblée et en bon état électrique; et
  - c) que les fils sont de calibre suffisant pour l'intensité CC nominale du chargeur, telle que spécifiée dans le tableau.

Modèle	Calibre AWG		
	Rallonge CC de 25 pi (7,6 m)	Rallonge CC de 50 pi (15,2 m)	Rallonge CC de 100 pi (30,5 m)
MK 106PCL	18 AWG	18 AWG	16 AWG
MK 212PCL	18 AWG	18 AWG	16 AWG
MK 318PCL	16 AWG	16 AWG	12 AWG
MK 110PCL	18 AWG	18 AWG	16 AWG
MK 220PCL	16 AWG	16 AWG	12 AWG
MK 330PCL	16 AWG	16 AWG	12 AWG
MK 440PCL	16 AWG	12 AWG	10 AWG
MK 550PCL	14 AWG	12 AWG	10 AWG

5. Ne jamais utiliser un chargeur dont le cordon ou la fiche d'alimentation est endommagé(e).
6. Ne jamais utiliser un chargeur qui a subi un choc sévère, est tombé par terre ou autrement endommagé de quelque façon que ce soit. Ne pas faire fonctionner le chargeur avec un cordon ou une fiche endommagé(e); remplacer immédiatement le chargeur.
7. Ne pas démonter le chargeur.
8. Pour réduire le risque de choc électrique, débrancher le chargeur de la prise murale et le déconnecter de la batterie avant de réaliser tout entretien ou nettoyage. Simplement désactiver les commandes ne réduira pas ce risque.

## AVERTISSEMENT

### 9. AVERTISSEMENT - RISQUE DE GAZ EXPLOSIFS

- a) TRAVAILLER PRÈS D'UNE BATTERIE AU PLOMB-ACIDE EST DANGEREUX. LES BATTERIES PRODUISENT DES GAZ EXPLOSIFS DURANT LEUR FONCTIONNEMENT NORMAL. PAR CONSÉQUENT, IL EST EXTRÊMEMENT IMPORTANT DE SUIVRE LES INSTRUCTIONS À CHAQUE UTILISATION DU CHARGEUR.
- b) Pour réduire le risque d'explosion d'une batterie, suivre les présentes instructions et celles publiées par le fabricant de la batterie et le fabricant de tout matériel que vous prévoyez utiliser près de la batterie. Examiner les mises en garde qui figurent sur ces produits et sur le moteur.

10. Des raccords extérieurs au chargeur devront être conformes au règlement électrique de la Garde côtière américaine (33CFR183, SOUS-PARTIE 1). Pour des raisons de sécurité et de conformité, nous vous recommandons de suivre les normes de l'American Boat and Yacht Council (ABYC) pour le gréement de l'embarcation. Les altérations dans le câblage de l'embarcation devraient être complétées par un technicien de marine qualifié.

## 11. PRÉCAUTIONS INDIVIDUELLES

- a) Lorsqu'on travaille près d'une batterie au plomb-acide, il faut prévoir que quelqu'un soit assez près pour vous porter secours.
- b) Avoir une grande quantité de savon et d'eau douce à portée de main au cas où de l'acide entrerait en contact avec les vêtements, la peau ou les yeux.
- c) Porter une protection complète des yeux et des vêtements. Éviter de toucher aux yeux en travaillant près d'une batterie.
- d) Si l'acide de la batterie entre en contact avec la peau ou les vêtements, laver immédiatement la zone touchée avec de l'eau savonneuse. Si de l'acide pénètre dans les yeux, rincer immédiatement les yeux à grande eau pendant au moins 10 minutes et obtenir immédiatement des soins médicaux.
- e) NE JAMAIS fumer ni approcher une étincelle ou une flamme nue d'une batterie ou d'un moteur.
- f) Dans la mesure du possible, faire preuve de prudence afin d'éviter la chute de tout outil métallique sur une batterie. Cela pourrait provoquer une étincelle ou court-circuiter la batterie ou tout autre composant électrique qui pourrait provoquer une explosion.
- g) Retirer tous les objets personnels métalliques, tels qu'anneaux, bracelets, colliers et montres, quand vous travaillez avec une batterie au plomb-acide. Une batterie au plomb-acide peut produire un court-circuit dont le courant serait assez élevé pour souder un anneau ou autre objet métallique semblable et provoquer une grave brûlure.
- h) Utiliser le chargeur uniquement pour le chargement de batteries. Il n'est pas conçu pour alimenter un système électrique basse tension autre qu'un démarreur. Ne pas utiliser le chargeur pour recharger des batteries sèches couramment utilisées dans des appareils ménagers. Ces batteries peuvent exploser et causer des blessures aux personnes et des dommages aux biens.
- i) NE JAMAIS charger une batterie gelée.

## 12. PRÉPARATION À CHARGER

- a) Au besoin, retirer la batterie du bateau ou du véhicule pour la charger, déconnectant toujours la cosse de mise à la masse en premier. Veiller à ce que tous les accessoires dans le bateau ou le véhicule soient désactivés afin de ne provoquer aucun arc électrique.
- b) Assurer que la zone entourant la batterie durant son chargement est bien ventilée.
- c) Nettoyer les cosses de la batterie. Prendre soin d'éviter tout contact de la corrosion avec les yeux.
- d) Ajouter de l'eau distillée dans chaque cellule jusqu'à ce que l'acide de batterie atteigne le niveau indiqué par le fabricant de la batterie. Ne pas trop remplir. Suivre attentivement les instructions de recharge du fabricant pour les batteries sans bouchons amovibles comme les batteries au plomb-acide régulées par une vanne.
- e) Prendre connaissance de toutes les précautions relatives aux chargements du fabricant de la batterie, ainsi que de son régime de charge recommandé.
- f) Le chargeur Minn Kota chargera uniquement des batteries au plomb-acide 12 volts/6 cellules (au plomb-acide, sans entretien ou AGM) et au lithium 12 volts (LiFePO4) (consulter les spécifications du fabricant de batteries). Ne pas connecter la sortie du chargeur à une batterie de toute autre tension ou de tout autre type.

## 13. POSITION DU CHARGEUR

- a) Placer le chargeur aussi loin de la batterie que les câbles CC le permettent.
- b) Ne jamais placer le chargeur directement au-dessus de la batterie en cours de charge, car les gaz de la batterie corroderont et endommageront le chargeur.
- c) Ne jamais laisser l'acide de la batterie s'égoutter sur le chargeur lors de la lecture de la densité de l'électrolyte ou du remplissage de la batterie.
- d) Ne pas utiliser le chargeur dans une zone fermée ni restreindre la ventilation d'aucune façon.
- e) Ne pas déposer une batterie sur le chargeur.

## CONSIGNES DE SÉCURITÉ

- f) Ne pas monter le chargeur en dessous de la ligne de flottaison du bateau ou directement à côté des réservoirs de carburant.
- g) Chaque cordon de sortie CC mesure six pieds (1,8 m) de longueur. S'assurer que les cordons CC peuvent atteindre la batterie et que le cordon d'alimentation CA peut atteindre une source d'alimentation. Lors de l'utilisation d'une rallonge, brancher le chargeur à la source d'alimentation CA le plus loin que pratiquement possible du compartiment de batterie afin de réduire le risque qu'une étincelle n'enflamme les gaz à l'intérieur du compartiment.
- h) Ne pas raccourcir les cordons de sortie CC, car ceci peut réduire la puissance de sortie du chargeur.
- i) Si les câbles de sortie CC ne sont pas assez longs, on peut les rallonger par l'épissure ou le brasage d'un fil de 12 AWG (minimum). Chaque épissure devrait être couverte avec une gaine thermorétractible doublée d'adhésif à deux parois afin de protéger le joint contre la corrosion. L'épissure devrait être faite entre la fourche dans le câble de sortie et le porte-fusible. Le porte-fusible devrait toujours être à moins de 7 po (17,8 cm) des bornes de la batterie. La longueur maximale de la rallonge est de 15 pi (4,6 m). Vous pouvez communiquer avec le service à la clientèle de Minn Kota avec toute question.



### AVERTISSEMENT

- j) Ne pas épisser le cordon d'alimentation CA puisque cela annule la garantie limitée de trois ans.

- k) Même si le chargeur Minn Kota peut être utilisé dans un environnement à température ambiante élevée, nous recommandons de prévoir une zone libre de six pouces (15 cm) sur tous les côtés de l'appareil pour assurer une circulation d'air et un refroidissement appropriés. Un refroidissement et une circulation d'air appropriés permettront au chargeur de fonctionner au maximum de son efficacité.
- l) Les trous en poire ne doivent pas être utilisés pour l'installation du chargeur.

14. MONTAGE DU CHARGEUR - Prendre le temps de bien fixer le chargeur pour éviter tout dommage en raison du poids du chargeur et des chocs que les bateaux endurent régulièrement. Le montage avec des écrous, des boulons et des rondelles est préférable au montage avec des vis.

- a) Le chargeur a été conçu pour être monté dans n'importe quelle orientation sur le bateau.
- b) Utiliser des boulons du plus grand diamètre possible et utiliser les quatre trous de montage.
- c) Après avoir marqué les emplacements, mettre le chargeur de côté et percer les trous.
- d) Appliquer un scellant de silicone de qualité marine dans chacun des trous percés pour créer un joint étanche à l'eau.
- e) Fixer ensuite le chargeur en place en utilisant le matériel de montage.

**AVIS :** Le chargeur de batterie est fourni avec un porte-prise CA conçu pour tenir la fiche du cordon d'alimentation lorsqu'elle n'est pas utilisée. Monter le porte-prise CA avec quatre vis dans un site sec pratique pour empêcher la corrosion à la fiche CA et pour empêcher la fiche CA d'entrer en contact avec les bornes de la batterie.



### AVERTISSEMENT

- f) S'assurer que le chargeur est débranché de l'alimentation CA avant de connecter des batteries avec les câbles de sortie.



### ATTENTION

- g) Avant toute connexion à des batteries dans un espace confiné (comme le compartiment à batterie d'un bateau), ouvrir la porte ou la trappe du compartiment et le laisser s'aérer pendant 15 minutes. Cela permet aux gaz qui se sont accumulés dans le compartiment de s'échapper.

## 15. PRÉCAUTIONS POUR LES CONNEXIONS CC

- a) Connecter et déconnecter les bornes de sortie CC uniquement après avoir retiré le câble CA de la prise électrique. Ne jamais laisser les bornes de sortie se toucher.
- b) Fixer les bornes de sortie sur la batterie et le châssis comme indiqué à 16(e), 16(f) et 17(b).

## 16. SUIVRE CES ÉTAPES LORSQUE LE CHARGEUR EST INSTALLÉ DANS UN VÉHICULE. UNE ÉTINCELLE À PROXIMITÉ D'UNE BATTERIE PEUT PROVOQUER SON EXPLOSION. POUR RÉDUIRE LE RISQUE D'ÉTINCELLE À PROXIMITÉ DE LA BATTERIE:

- a) Positionner les cordons CA et CC de manière à réduire le risque d'endommagement par le capot, les portes ou les pièces de moteur en mouvement.
- b) Rester à l'écart des pales de ventilateur, des courroies, des poignées et d'autres pièces susceptibles de provoquer des blessures corporelles.

c) Vérifier la polarité des bornes de batterie. La borne POSITIVE (POS, P, +) de la batterie a généralement un diamètre plus important que celui de la borne NÉGATIVE (NÉG, N, -).

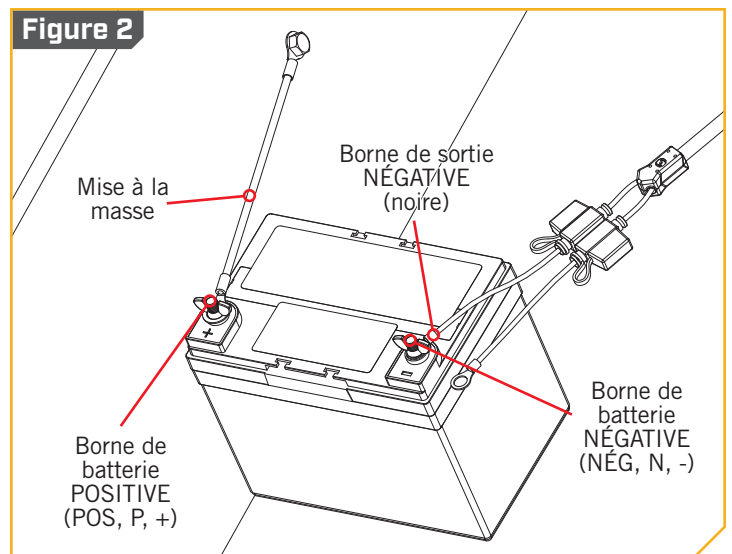
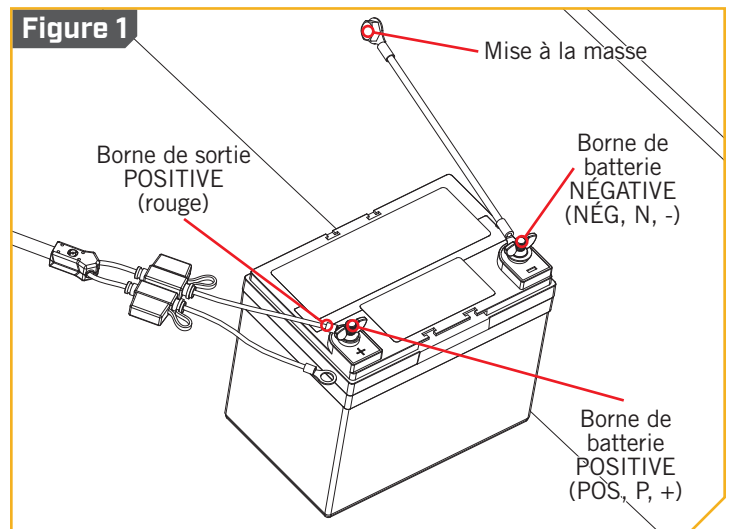
d) Déterminer quelle borne de batterie est mise à la masse (connectée) sur le châssis. Si la borne négative est mise à la masse sur le châssis (comme c'est le cas dans la plupart des véhicules), voir (e). Si la borne positive est mise à la masse sur le châssis, voir (f).

e) Pour les véhicules dont la borne négative est mise à la masse, connecter d'abord la borne de sortie POSITIVE (ROUGE) du chargeur de batterie à la borne POSITIVE (POS, P, +) non mise à la masse de la batterie. Connecter la borne de sortie NÉGATIVE (NOIRE) au châssis du véhicule ou au bloc-moteur, à l'écart de la batterie. Ne pas connecter la borne de sortie sur le carburateur, les conduites de carburant ou des tôles de carrosserie. La connecter sur une pièce métallique épaisse du châssis ou sur le bloc-moteur. (Voir la Figure 1).

f) Pour les véhicules dont la borne positive est mise à la masse, connecter d'abord la borne de sortie NÉGATIVE (NOIRE) du chargeur de batterie à la borne NÉGATIVE (NÉG, N, -) non mise à la masse de la batterie. Connecter la borne de sortie POSITIVE (ROUGE) au châssis du véhicule ou au bloc-moteur, à l'écart de la batterie. Ne pas connecter la borne de sortie sur le carburateur, les conduites de carburant ou des tôles de carrosserie. La connecter sur une pièce métallique épaisse du châssis ou sur le bloc-moteur. (Voir la Figure 2).

g) Lors de la déconnexion du chargeur, déconnecter le cordon d'alimentation CA, déconnecter la borne de sortie du châssis et déconnecter la borne de sortie de la batterie.

h) Voir le mode d'emploi pour l'information sur la durée de la charge.



## CONSIGNES DE SÉCURITÉ

17. SUIVRE CES ÉTAPES LORSQUE LA BATTERIE SE TROUVE HORS DU VÉHICULE. UNE ÉTINCELLE À PROXIMITÉ DE LA BATTERIE PEUT PROVOQUER SON EXPLOSION. POUR RÉDUIRE LE RISQUE D'ÉTINCELLE À PROXIMITÉ DE LA BATTERIE:

- a) Vérifier la polarité des bornes de batterie. La borne POSITIVE (POS, P, +) de la batterie a généralement un diamètre plus important que celui de la borne NÉGATIVE (NÉG, N, -).
- b) Connecter la borne de sortie POSITIVE (ROUGE) à la borne POSITIVE (POS, P, +) de la batterie. Connecter la borne de sortie NÉGATIVE (NOIRE) du chargeur à la borne NÉGATIVE (NÉG, N, -) de la batterie.
- c) Ne pas rester face à la batterie lors de la réalisation de la dernière connexion.
- d) Lors de la déconnexion du chargeur, toujours exécuter les étapes de la procédure de connexion en sens inverse.
- e) Une batterie marine (de bateau) ne doit pas être retirée du bateau et chargée sur terre. Cependant, on doit respecter les instructions pour l'endroit du chargeur lors d'un montage permanent ou de l'utilisation à bord.

### **DANGER**

18. DANGER - Ne jamais modifier le cordon d'alimentation CA ou la fiche fournie – si elle ne s'adapte pas à la prise, faire installer une prise adéquate par un électricien qualifié. Une mauvaise connexion peut entraîner un risque d'électrocution.

### **DANGER**

19. DANGER - Ne pas tenter de réparer ou d'entretenir le chargeur vous-même. Ouvrir le chargeur peut vous exposer à des tensions élevées, à un risque d'électrocution et à d'autres dangers.

### **DANGER**

20. DANGER - Ne pas épisser le cordon d'alimentation CA.

### **ATTENTION**

21. ATTENTION - Lors de l'utilisation d'une rallonge, brancher le chargeur à la source d'alimentation CA le plus loin que pratiquement possible du compartiment de batterie afin de réduire le risque qu'une étincelle n'enflamme les gaz à l'intérieur du compartiment.

### **ATTENTION**

22. ATTENTION - Même si le chargeur Minn Kota peut être utilisé dans un environnement à température ambiante élevée, nous recommandons de prévoir une zone libre de six pouces (15 cm) sur tous les côtés de l'appareil pour assurer une circulation d'air et un refroidissement appropriés. Un refroidissement et une circulation d'air appropriés permettront au chargeur de fonctionner au maximum de son efficacité.

### **ATTENTION**

23. ATTENTION - Avant toute connexion à des batteries dans un espace confiné (comme le compartiment à batterie d'un bateau), ouvrir la porte ou la trappe du compartiment et le laisser s'aérer pendant 15 minutes. Cela permet aux gaz qui se sont accumulés dans le compartiment de s'échapper.

## **ATTENTION**

24. ATTENTION - Nous recommandons de ne pas charger la batterie avec l'embarcation ou le pied du moteur à l'eau durant les orages. Le moteur ou le système de chargement peut subir de graves dommages si la foudre frappe à proximité ou s'il existe des conditions de haute tension en raison de l'orage.

## **ATTENTION**

25. ATTENTION - Si le chargeur est alimenté au moyen d'une génératrice, elle doit posséder une sortie propre et être sécuritaire pour utilisation sur du matériel électrique. Ce chargeur peut être alimenté à l'aide d'une génératrice qui produit des ondes sinusoïdales. Voir le tableau dans les Instructions d'entretien pour les exigences d'alimentation.

## **DANGER**

26. DANGER - Les cordons et fiches d'alimentation endommagés peuvent provoquer un choc électrique ou une électrocution.

## **AVERTISSEMENT**

27. AVERTISSEMENT - Éviter les blessures graves ou la mort causées par un incendie, une explosion ou un choc électrique.

- Ce dispositif doit être branché sur une prise c.a. protégée par disjoncteur de fuite de terre (DDFT)
- Lors de l'utilisation d'une rallonge, branchez le chargeur c.a. avant de le brancher sur la prise c.a. protégée par un disjoncteur de fuite de terre
- Établir une connexion dans une atmosphère ouverte, exempte de vapeurs explosives
- Établir une connexion de manière sécuritaire afin d'éviter tout contact avec l'eau

# GARANTIE

## GARANTIE DES CHARGEURS DE BATTERIE ET DES APPAREILS DE MAINTIEN DE BATTERIE MINN KOTA

Johnson Outdoors Marine Electronics, Inc. (« JOME ») offre la garantie limitée suivante uniquement à l'acheteur au détail initial. La garantie n'est pas transférable.

### Garantie limitée de remplacement de trois ans de Minn Kota sur l'ensemble du produit

JOME garantit uniquement à l'acheteur au détail initial que son nouveau chargeur de batterie Minn Kota sera exempt de défauts matériels résultant d'un vice de fabrication ou de main-d'œuvre pouvant survenir trois (3) ans après la date d'achat. JOME se réserve le droit de remplacer, au choix et gratuitement, tout chargeur pouvant s'avérer défectueux pendant la durée de la présente garantie. Ce remplacement est l'unique et exclusive responsabilité de JOME et constitue le seul recours de l'acheteur pour tout manquement à la présente garantie.

### Exclusions et limites

La présente garantie limitée ne s'applique pas aux produits qui ont été utilisés à des fins commerciales ou locatives. Cette garantie ne couvre pas l'usure normale, les imperfections qui n'affectent pas le fonctionnement du moteur, ni les dommages causés par les accidents, l'abus, l'altération, la modification, les dommages durant le transport, les désastres naturels, la négligence de l'utilisateur, l'utilisation abusive, un soin ou un entretien inadéquat. **LES DOMMAGES CAUSÉS PAR L'UTILISATION DE PIÈCES DE REMPLACEMENT NON CONFORMES AUX SPÉCIFICATIONS DE CONCEPTION DES PIÈCES ORIGINALES NE SONT PAS COUVERTS PAR LA PRÉSENTE GARANTIE LIMITÉE.** Le coût de l'entretien normal ou des pièces de rechange qui ne contreviennent pas à la garantie limitée incombe à l'acheteur. Avant utilisation, l'acheteur doit déterminer si le produit convient à l'emploi prévu et assume tous les risques et responsabilités connexes. Toute assistance fournie par JOME à l'acheteur ou au nom de ce dernier hors du cadre des modalités, des restrictions et des exclusions de la présente garantie limitée ne constitue pas une renonciation à l'égard de telles modalités, restrictions ou exclusions et une telle assistance n'aura pas pour effet de prolonger ni de restaurer la garantie. JOME ne remboursera aucune dépense encourue par l'acheteur dans le cadre de la réparation, de la correction ou du remplacement de pièces ou de produits défectueux, à l'exception des dépenses engagées sur consentement écrit préalable de JOME. **LA RESPONSABILITÉ GLOBALE DE JOME À L'ÉGARD DES PRODUITS COUVERTS PAR LA GARANTIE EST LIMITÉE À UN MONTANT ÉQUIVALENT AU PRIX D'ACHAT PAYÉ POUR LE PRODUIT EN QUESTION.**

### Comment obtenir un service en vertu de la garantie

Pour obtenir un service de garantie aux États-Unis, contacter le service à la clientèle de Minn Kota. Les formulaires de contact sont disponibles à l'adresse [www.minnkotamotors.com/contact](http://www.minnkotamotors.com/contact) ou composez le 1-800-227-6433. Après contact, il sera déterminé si le remplacement du chargeur sous garantie est nécessaire. Un numéro de série et une preuve d'achat seront requis pour organiser le remplacement sous garantie.

Les produits achetés à l'extérieur des États-Unis doivent être retournés, port payé avec la preuve d'achat (y compris la date d'achat et le numéro de série) à tout centre de service agréé de Minn Kota dans le pays de l'achat.

Tous les frais d'appels de service, de transport ou d'expédition à destination ou à partir de Minn Kota, de main-d'œuvre pour transporter, retirer, réinstaller ou regérer les produits retirés pour le service de garantie ou de tout autre élément similaire sont la seule et unique responsabilité de l'acheteur.

Les produits remplacés seront garantis pour la durée restante de la période de garantie initiale ou pendant 90 jours à compter de la date de remplacement, la période la plus longue étant retenue.

Les retours sans contact préalable avec le service à la clientèle de Minn Kota peuvent faire l'objet de frais de dépannage et d'évaluation au taux de main-d'œuvre affiché en vigueur, et pour au moins une heure.

**AVIS :** ne pas retourner le produit Minn Kota au détaillant. Le détaillant n'est pas autorisé à le réparer ou à le remplacer.

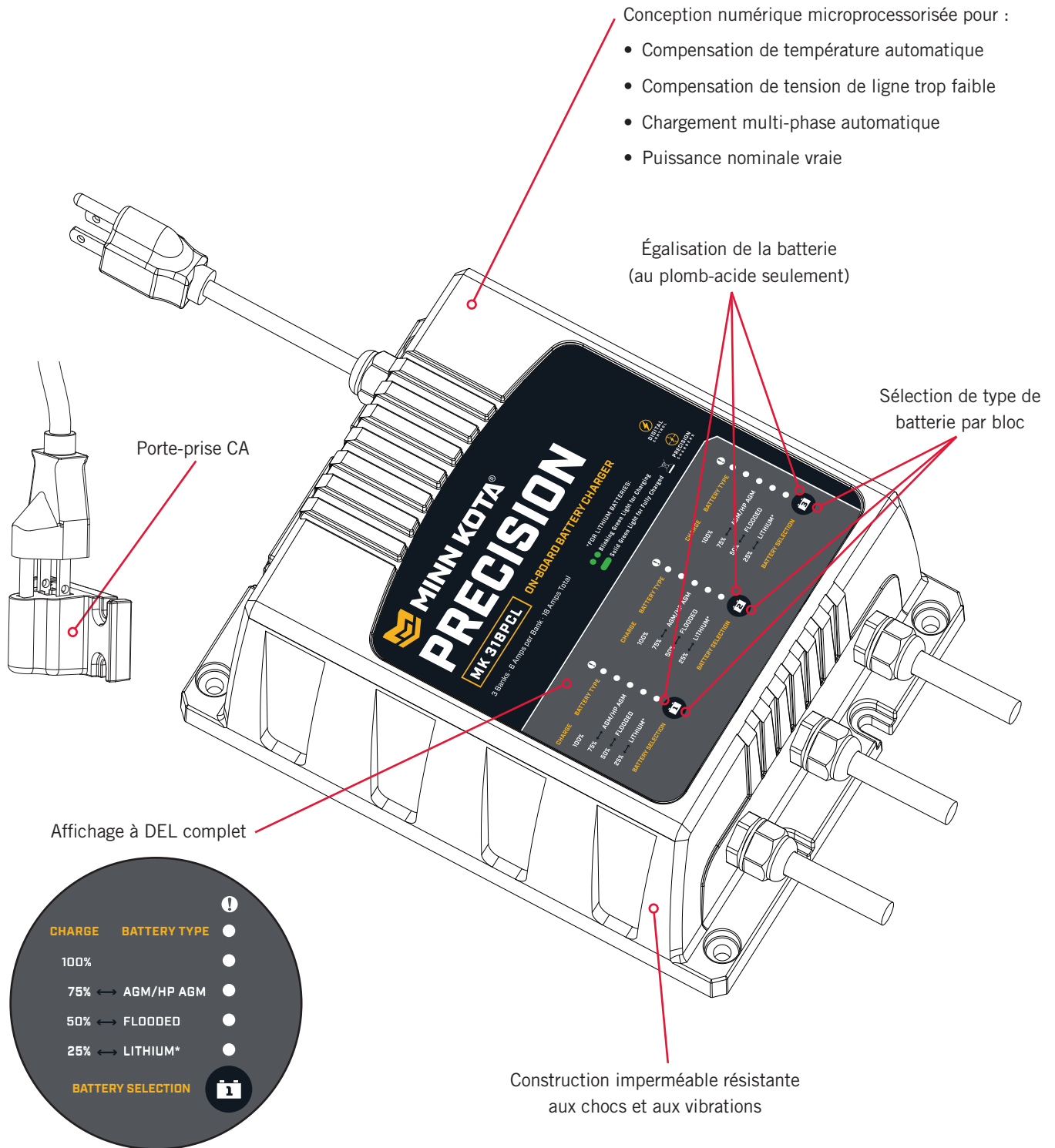
**AVIS :** IL N'Y A AUCUNE GARANTIE EXPRESSE AUTRE QUE LES PRÉSENTES GARANTIES LIMITÉES. AUCUNE GARANTIE IMPLICITE, Y COMPRIS TOUTE GARANTIE IMPLICITE DE QUALITÉ MARCHANDE OU D'ADÉQUATION À UN USAGE PARTICULIER, NE SE PROLONGERA AU-DELÀ DE LA DURÉE DE LA PRÉSENTE GARANTIE LIMITÉE EXPRESSE. JOME NE POURRA EN AUCUNE FAÇON ÊTRE TENUE RESPONSABLE DES DOMMAGES PUNITIFS, INDIRECTS, ACCESSOIRES, CONSÉCUTIFS OU PARTICULIERS. WSans limiter la portée de ce qui précède, JOME décline toute responsabilité en cas de perte d'utilisation du produit, perte de temps, d'inconvénient et d'autre dommage.

### Comment la loi étatique s'applique-t-elle?

Certains États ne permettent pas de limites sur la durée d'une garantie implicite ou l'exclusion ou la limitation des dommages accessoires ou indirects, donc, les limitations ou exclusions ci-dessus peuvent ne pas s'appliquer à vous. La présente garantie vous donne des droits légaux spécifiques et vous pouvez également bénéficier d'autres droits qui varient d'un État à l'autre.



# CARACTÉRISTIQUES



**AVIS :** les spécifications peuvent faire l'objet de modifications sans préavis. Ce schéma est fourni à des fins de référence seulement et peut différer de votre produit réel.

# INSTALLATION

## INSTALLATION ET MONTAGE

Veillez tenir compte des recommandations suivantes pour l'emplacement d'un endroit de montage et l'installation du chargeur.

### TROUVER UN ENDROIT POUR LE MONTAGE DU CHARGEUR »

1. Ne jamais placer le chargeur au-dessus de la batterie lors de la charge, car les gaz de la batterie corroderont et endommageront le chargeur.
2. Ne jamais laisser l'acide de la batterie s'égoutter sur le chargeur lors de la lecture de la densité de l'électrolyte ou du remplissage de la batterie.
3. Ne pas utiliser le chargeur dans une zone fermée et ne pas bloquer la ventilation de quelque façon que ce soit.
4. Ne pas placer pas la batterie sur le chargeur.
5. Ne pas monter le chargeur en dessous de la ligne de flottaison du bateau ou directement à côté des réservoirs de carburant.
6. Chaque cordon de sortie CC mesure six pieds (1,8 m) de longueur. S'assurer que les cordons CC peuvent atteindre la batterie et que le cordon d'alimentation CA peut atteindre une source d'alimentation. Lors de l'utilisation d'une rallonge, brancher le chargeur à la source d'alimentation CA le plus loin que pratiquement possible du compartiment de batterie afin de réduire le risque qu'une étincelle n'enflamme les gaz à l'intérieur du compartiment.
7. Ne pas raccourcir les cordons de sortie CC, car ceci peut réduire la puissance de sortie du chargeur. Si les câbles de sortie CC ne sont pas assez longs, on doit les rallonger par l'épissure ou le brasage d'un fil de 12 AWG (minimum). Chaque épissure devrait être couverte avec une gaine thermorétractible doublée d'adhésif à deux parois afin de protéger le joint contre la corrosion. L'épissure devrait être faite entre la fourche dans le câble de sortie et le porte-fusible. Le porte-fusible devrait toujours être à moins de 7 po (17,8 cm) des bornes de la batterie. La longueur maximale de la rallonge est de 15 pi (4,6 m). Vous pouvez communiquer avec le service à la clientèle de Minn Kota avec toute question.



## AVERTISSEMENT

Ne pas épisser le cordon d'alimentation CA puisque cela annule la garantie limitée de trois ans.

8. Même si le chargeur Minn Kota peut être utilisé dans un environnement à température ambiante élevée, nous recommandons de prévoir une zone libre de six pouces (15 cm) sur tous les côtés de l'appareil pour assurer une circulation d'air et un refroidissement appropriés. Un refroidissement et une circulation d'air appropriés permettront au chargeur de fonctionner au maximum de son efficacité.

## MONTAGE DU CHARGEUR >

Prendre le temps de bien fixer le chargeur pour éviter tout dommage en raison du poids du chargeur et des chocs que les bateaux endurent régulièrement. Le montage avec des écrous, des boulons et des rondelles est préférable au montage avec des vis.

1. Utiliser des boulons du plus grand diamètre possible et utiliser les quatre trous de montage.
2. Après avoir marqué les emplacements, mettre le chargeur de côté et percer les trous.
3. Appliquer un scellant de silicone de qualité marine dans chacun des trous percés pour créer un joint étanche à l'eau.
4. Fixer ensuite le chargeur en place en utilisant le matériel de montage.

## AVERTISSEMENT

S'assurer que le chargeur est débranché de la prise de courant avant de connecter des batteries avec les câbles de sortie.

## ATTENTION

Avant toute connexion à des batteries dans un espace confiné (comme le compartiment à batterie d'un bateau), ouvrir la porte ou la trappe du compartiment et le laisser s'aérer pendant 15 minutes. Cela permet aux gaz qui se sont accumulés dans le compartiment de s'échapper.

**AVIS :** Le chargeur de batterie est fourni avec un porte-prise CA conçu pour tenir la fiche du cordon d'alimentation lorsqu'elle n'est pas utilisée. Monter le porte-prise CA avec quatre vis dans un site sec pratique pour empêcher la corrosion à la fiche CA et pour empêcher la fiche CA d'entrer en contact avec les bornes de la batterie.

# INSTALLATION

## INSTALLATION DU CÂBLE DE RALLONGE DU CHARGEUR DE BATTERIE MK-EC

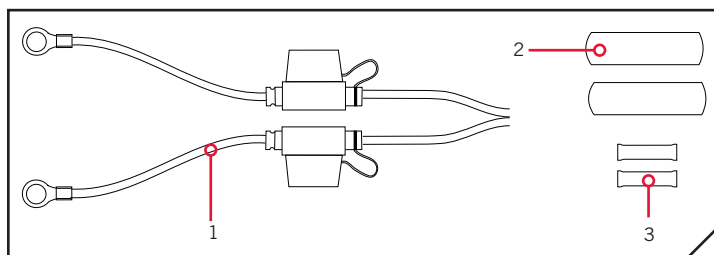
Les câbles de rallonge du chargeur de batterie Minn Kota sont idéaux pour allonger les câbles de sortie du chargeur qui ne se rendent pas aux compartiments de batterie de l'étrave, du centre ou de la traverse. Comprend une installation facile avec une gaine thermorétractible avec adhésif étanche pour l'utiliser dans des milieux d'eaux salées. Chaque conducteur est fusionné pour la protection contre des courts-circuits accidentels.

**AVIS :** Le câble de rallonge du chargeur de batterie MK-EC (n° 1820089) est une trousse en option qui n'est PAS incluse avec le chargeur.

### LISTE DE PIÈCES D'INSTALLATION

Article/Ensemble	N° de pièce	Description	Qté
1	✖	15FT EXTENSION CABLE	1
2	✖	WIRE SPLICE	2
3	✖	ADHESIVE HEAT SHRINK	2

✖ Cette pièce est incluse dans un ensemble et ne peut pas être commandée individuellement.

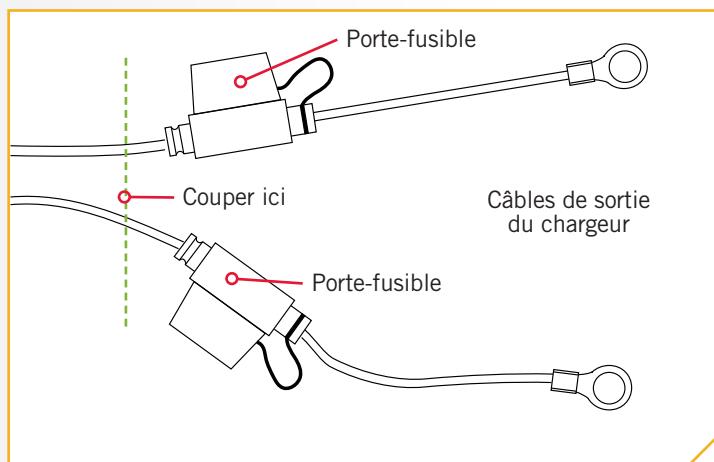


### OUTILS ET RESSOURCES NÉCESSAIRES

- Coupe-fils
- Pince à dénuder
- Sertisseur
- Pistolet thermique

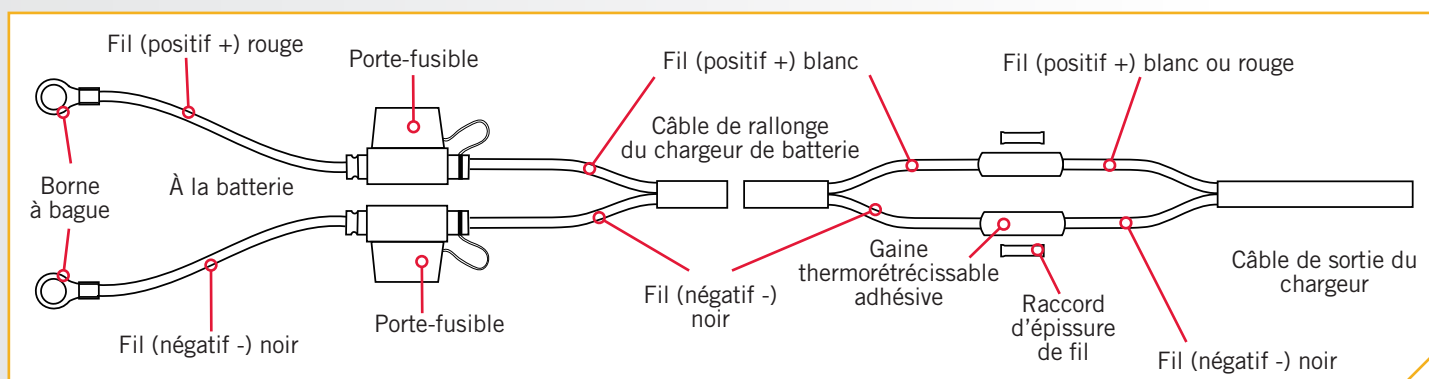
### INSTALLATION

- Arrêter l'alimentation CA de votre chargeur et débrancher le chargeur de TOUTES les batteries.
  - Ouvrir la porte ou la trappe du compartiment et le laisser s'aérer pendant 15 minutes. Cela permet aux gaz qui se sont accumulés dans le compartiment de s'échapper.
  - Repérer le câble de sortie du chargeur à allonger et utiliser le coupe-fils pour couper le fil rouge ou blanc (positif) et noir (négatif) devant les porte-fusibles.



## 2

- d. Retirer les morceaux d'isolants des extrémités des fils du câble de rallonge du chargeur de batterie et sertir le fil noir (négatif -) dans le connecteur d'épissure de fils à l'aide du sertisseur.
- e. Dénuder les fils du câble de sortie du chargeur de batterie de 3/8 po (9,5 mm) s'il s'agit de fils 12 AWG. Dénuder les fils du câble de sortie du chargeur de batterie de 3/4 po (19 mm) s'il agit de fils 14 AWG ou 16 AWG.
- f. Placer une des gaines thermorétractibles adhésives par-dessus l'épissure et sur le fil noir (négatif -) du câble de rallonge du chargeur de batterie.
- g. Pour un fil 12 AWG, insérer le câble noir (négatif -) de sortie du chargeur de batterie dans l'épissure de fils et sertir à l'aide du sertisseur. Pour un fil 14 AWG ou 16 AWG, plier le câble dénudé noir (négatif -) du câble de sortie du chargeur de batterie en deux avant d'insérer et sertir le fil.
- h. Centrer la gaine thermorétractible adhésive par-dessus l'épissure du fil. À l'aide du pistolet thermique, réchauffer la gaine thermorétractible jusqu'à ce que la connexion soit scellée.
- i. Répéter les étapes d à h pour connecter le fil rouge ou blanc (positif +) à l'épissure.
- j. Préparer chaque batterie au préalable en éliminant la saleté, l'huile, la corrosion, etc. Nettoyer la corrosion avec une solution d'eau et de bicarbonate de soude. Essuyer avec un chiffon sec.
- k. Diriger le câble de rallonge du chargeur de batterie loin d'objets tranchants. Ne pas retirer les porte-fusibles, puisque les fusibles sont sur le fil rouge (positif +) et le fil noir (négatif -) pour la protection en cas d'un court-circuit.
- l. Brancher maintenant le câble de rallonge du chargeur de batterie à la batterie. S'assurer de connecter la borne à bague noire (négative -) à la borne de batterie négative (-) et de connecter la borne bague rouge (positive +) à la borne de batterie positive (+).

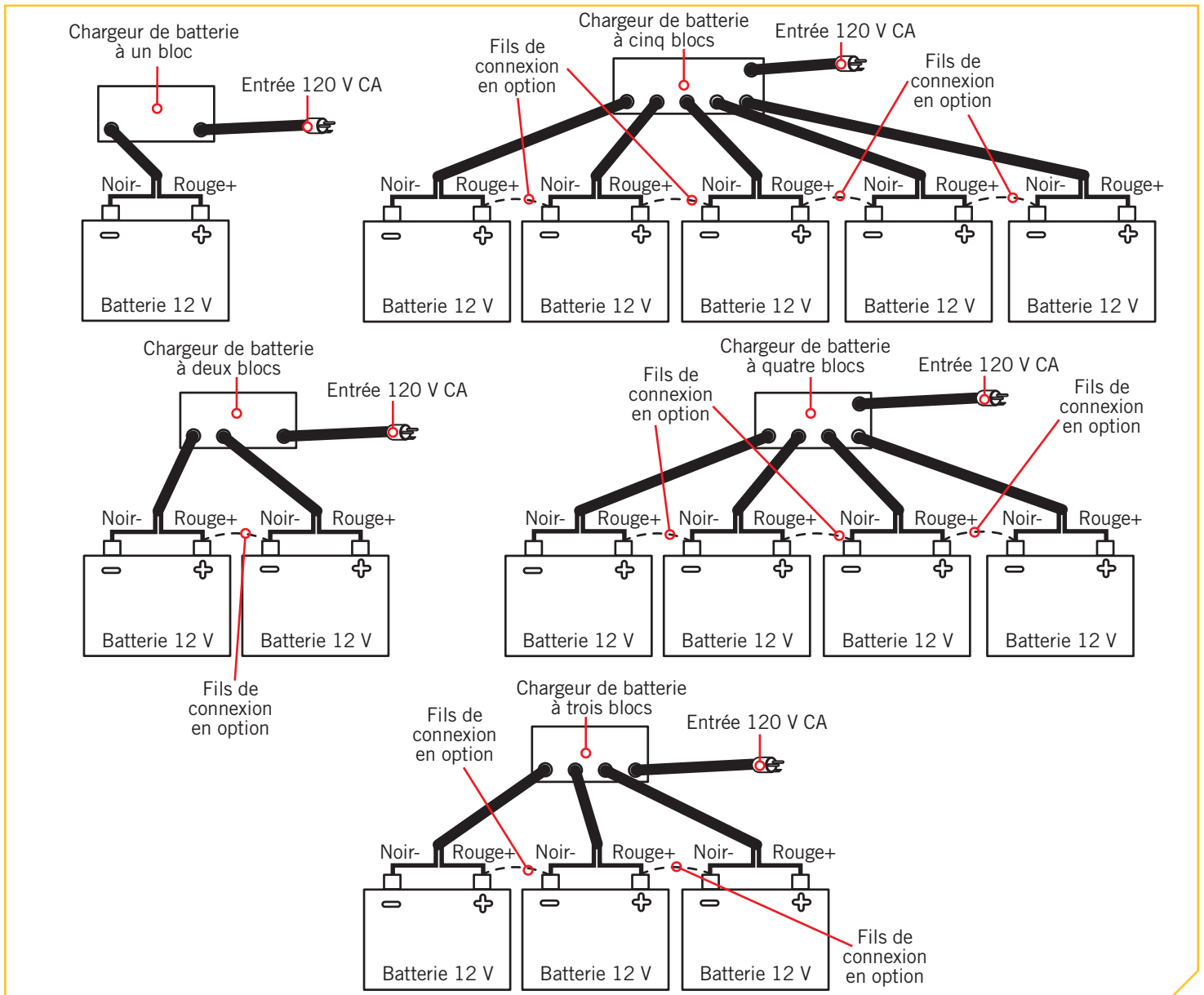


# MODE D'EMPLOI

## VUE D'ENSEMBLE

Il s'agit d'un chargeur de batterie haute performance qui a la capacité de fonctionner de façon appropriée et sécuritaire seulement avec les batteries au plomb-acide de 12 volts/6 cellules sans entretien et AGM ou au lithium 12 volts (LiFePO4) (consulter les spécifications du fabricant) uniquement. Il est important de lire et de comprendre comment utiliser correctement le chargeur de batterie avant de charger des batteries.

Chaque bloc de sortie est indépendant et est isolé des autres et de l'entrée CA. Le chargeur Minn Kota peut charger des batteries indépendantes ou des combinaisons de batteries branchées en série ou en parallèle, sans déconnecter les batteries des commutateurs ou des fils de liaison qui les relient.



**AVIS :** Si les batteries sont connectées en série avec des fils de connexion, ces fils peuvent rester en place lors du chargement.

## SÉLECTION DU TYPE DE BATTERIE

Le chargeur peut être commuté manuellement entre quatre modes différents :

1. AGM/AGM haute performance
2. Plomb-acide
3. Lithium (LiFePO<sub>4</sub>)
4. Égalisation (plomb-acide)

On doit configurer correctement chaque bloc de charge pour le bon type de batterie afin d'optimiser les performances de vos batteries et d'éviter les dommages (chaque bloc peut être réglé indépendamment). Le réglage par défaut est plomb-acide.

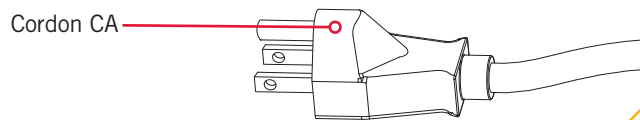
## Définition du type de batterie

1

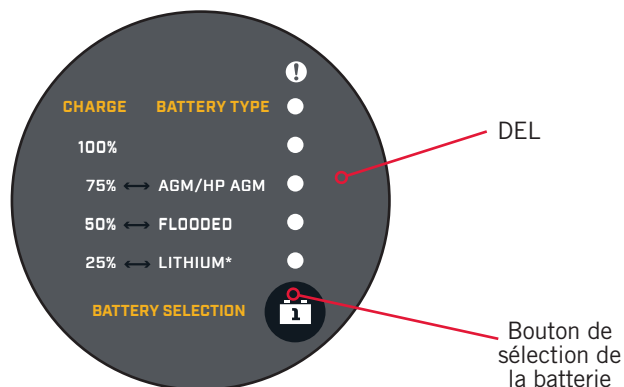
- a. Brancher le cordon d'alimentation CA du chargeur dans une prise CA.
- b. Toutes les DEL s'allument lors de la mise sous tension, puis la DEL JAUNE restera allumée. Cette DEL JAUNE indiquera le type de la batterie actuelle sélectionné.
- c. Appuyer et maintenir enfoncé le bouton de sélection de la batterie jusqu'à ce que la DEL JAUNE indique le type de batterie désirée, puis relâcher le bouton. Le type de batterie sera sauvegardé même si le cordon d'alimentation CA ou les câbles de sortie CC sont déconnectés.

**AVIS :** Le type de batterie sera sauvegardé même si le cordon d'alimentation CA ou les câbles de sortie CC sont déconnectés. Lorsque le chargeur est sous tension, le type de batterie sélectionné sera rappelé de la mémoire.

1a



1b



## AVERTISSEMENT

Le type de batterie est pré-réglé en usine à la valeur plomb-acide. Si vous utilisez des batteries d'un autre type, sélectionnez Lithium (LiFePO<sub>4</sub>) ou AGM/AGM haute performance. Ne pas le faire pourrait entraîner des dommages à votre batterie ou causer des fuites d'acide.

## Programmation du mode Égalisation pour les batteries plomb-acide

Les batteries au plomb-acide doivent être égalisées conformément aux recommandations des fabricants de batteries. Seules les batteries au plomb-acide doivent être égalisées. Le chargeur ne permettra la sélection du mode Égalisation que si la sélection précédente a été Plomb-acide. Pour définir le mode Égalisation, appuyez et maintenez le bouton de sélection de la batterie jusqu'à ce que les trois DEL JAUNES soient allumées puis relâchez le bouton. Le processus d'égalisation sera effectué en une seule occasion une fois en mode Égalisation. Une fois le cycle terminé ou si le cycle est interrompu (en débranchant le cordon d'alimentation CA ou CC), le chargeur va retourner au type de batterie plomb-acide.



# MODE D'EMPLOI


## FONCTIONNEMENT GÉNÉRAL »

### **AVERTISSEMENT**

S'assurer que le chargeur est débranché de la prise de courant avant de connecter des batteries avec les câbles de sortie.

La DEL de charge 25 % va s'allumer une fois que le cordon d'alimentation du chargeur sera branché et que la batterie sera correctement connectée au câble de sortie. Le chargeur commence à charger la batterie après 2 secondes. Les DEL JAUNES indiqueront l'avancement du chargeur dans le processus de charge. Lorsque la DEL VERTE 100 % clignote, le chargeur tient sa tension de maintien. Le chargeur tiendra la tension de maintien de la batterie pour 24 heures. La sortie du chargeur s'éteindra et la DEL VERTE 100 % clignotante deviendra fixe après 24 heures. Pour des informations au sujet des batteries au lithium, consulter la section « Séquences des DEL » de ce manuel.

Les batteries au lithium peuvent arrêter de fonctionner après un usage intensif dans certaines conditions. Cet état protecteur s'appelle mode Veille. Consultez le manuel du propriétaire de votre batterie au lithium pour en savoir plus sur les conditions qui pourraient déclencher le mode Veille. Votre chargeur Minn Kota compte un système de mise en marche automatique qui redémarre automatiquement la batterie un certain nombre de fois pour sortir la batterie au lithium du mode Veille pour la charger.

**AVIS :** Si une DEL ROUGE  est allumée, consulter les CONDITIONS D'ERREUR dans la section Dépannage de ce manuel afin d'en identifier la raison et de prendre les mesures correctives nécessaires pour remédier à la situation. Si vous ne parvenez pas à remédier à la situation et avez besoin d'aide, appelez le service à la clientèle de Minn Kota au 1 800 227.6433 et un représentant du soutien technique se fera un plaisir de vous aider.

### **ATTENTION**

Nous recommandons de ne pas charger la batterie (ou les batteries) avec l'embarcation ou le pied du moteur à l'eau durant les orages. Le moteur ou le système de chargement peut subir de graves dommages si la foudre frappe à proximité ou s'il existe des conditions de haute tension en raison de l'orage.

### **ATTENTION**

Si le chargeur est alimenté au moyen d'une génératrice, elle doit posséder une sortie propre et être sécuritaire pour utilisation sur du matériel électrique. Ce chargeur peut être alimenté à l'aide d'une génératrice qui produit des ondes sinusoïdales. Consulter le tableau des « exigences relatives à la puissance » pour des précisions.

Exigences relatives à la puissance

Modèle	Puissance d'entrée (120 CA, 60 Hz)
MK 106PCL	90 W
MK 212PCL	180 W
MK 318PCL	270 W
MK 110PCL	150 W
MK 220PCL	300 W
MK 330PCL	450 W
MK 440PCL	600 W
MK 550PCL	750 W

### **AVERTISSEMENT**

Pour réduire le risque de choc électrique, ne pas effectuer d'entretien autre que ce qui est inclus dans le mode d'emploi.

## FUSIBLE EN LIGNE »

Chaque câble de sortie a des fusibles en ligne sur les fils ROUGE et NOIR qui se trouvent à proximité des bornes de type bague. Ces fusibles protègent contre les surtensions et courts-circuits provoqués par un câble de sortie de chargeur endommagé. Si un fusible saute, le remplacer par un fusible automobile de type ATC 32 V de 30 ampères. Les connexions de batterie inappropriées ne feront généralement pas sauter un fusible, car ceci est pris en charge par la circuiterie interne du chargeur.

## CHARGE MULTI-PHASE >

La charge multi-phase de Minn Kota fournit un profil de charge rapide et précis en contrôlant automatiquement le courant et la tension sans surcharger vos batteries.

### > Mode Pleine puissance

Durant cette phase, le chargeur livre un courant maximum jusqu'à ce que la batterie atteigne environ 75 % de sa charge. Lors de la charge de batteries au lithium, le chargeur restera en mode Pleine puissance jusqu'à la fin du processus.

### > Mode Absorption

Le courant de charge baisse alors que la tension de la batterie est maintenue constante. Consulter les informations du « Profil de charge » pour de plus amples précisions.

### > Mode Égalisation léger

Le mode Égalisation léger est pour les batteries au plomb-acide seulement. La tension est augmentée automatiquement à chaque cycle de charge pendant un maximum de 1,5 heure afin de désulfater et de mélanger les fluides dans chaque batterie.

### > Mode Égalisation

Le mode Égalisation est pour les batteries au plomb-acide seulement. Le mode Égalisation doit être sélectionné manuellement pour chaque bloc de batteries à égaliser. La tension est augmentée pendant un maximum de 4 heures afin de désulfater et de mélanger les fluides dans chaque batterie.

### > Mode Maintien

Lorsque la batterie atteint sa pleine charge, la tension du chargeur est réduite. Consulter le tableau « Profil de charge » dans la section Utilisation générale de ce manuel pour les tensions. Une DEL VERTE 100 % qui clignote est allumée pour chaque bloc afin d'indiquer que la batterie est chargée en mode Maintien de la charge à long terme et est prête à être utilisée. Les sorties du chargeur s'éteignent automatiquement après 24 heures et une DEL VERTE 100 % fixe s'allume pour chaque bloc afin d'indiquer que la batterie est prête à utiliser. Le chargeur se remet automatiquement en marche lorsque la tension de la batterie descend en dessous de 12,6 V.

## SÉQUENCES DES DEL >

Chaque bloc possède les DEL suivantes :

### Batteries au plomb (plomb-acide/AGM HP AGM) :

- 25 %, 50 %, 75 % (JAUNE) - Ces DEL indiquent l'état d'avancement de la charge.
- 100 % (VERTE) : Une DEL VERTE clignotante indique que la batterie est entièrement chargée, en mode de charge de maintien et prête à utiliser. Une DEL VERTE fixe indique que la batterie est entièrement chargée, en mode de charge de maintien à long terme et prête à utiliser.
- ⚠ (ROUGE) - Une DEL ROUGE fixe ⚠ indique qu'il y a un problème avec une connexion. Une DEL ROUGE clignotante ⚠ indique une erreur. Consulter les CONDITIONS D'ERREUR dans la section « Dépannage » de ce manuel.

### Batteries au lithium :

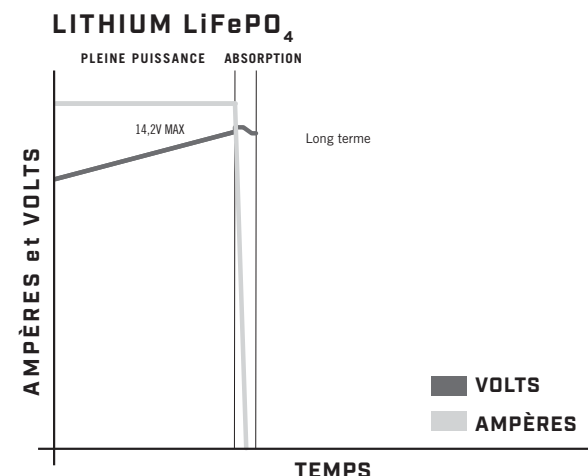
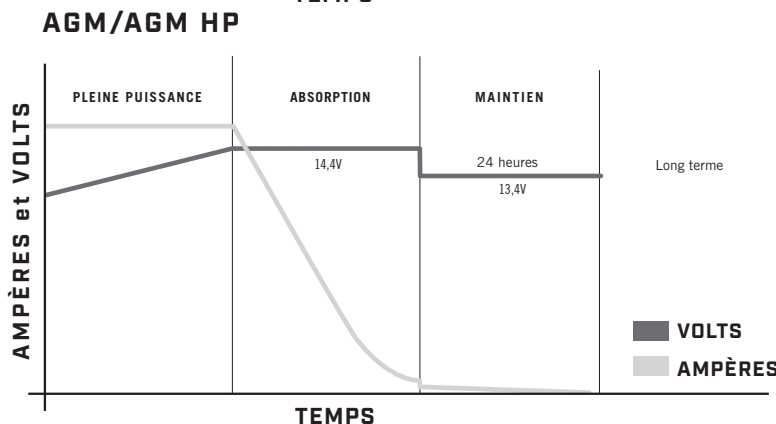
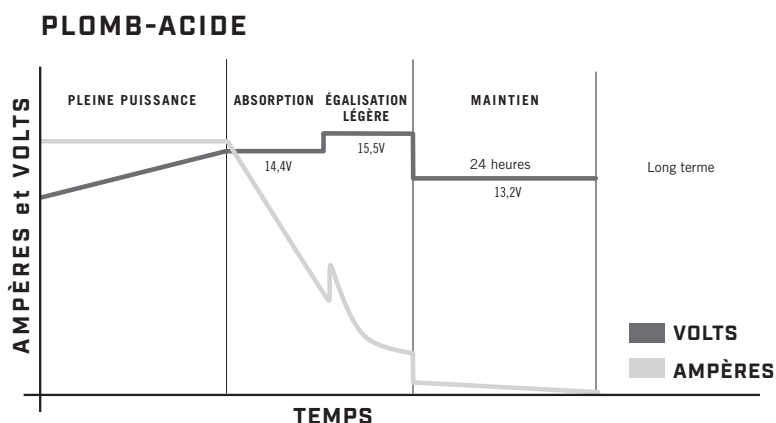
- La DEL VERTE 100 % clignotera pour indiquer que le processus de charge est en cours et continuera jusqu'à ce que le processus soit terminé.
- Lorsque la DEL VERTE 100 % est fixe, le processus de charge est terminé et la batterie est prête à être utilisée.

CHARGE	BATTERY TYPE	DEL
100%		⚠
100%		●
75% ↔	AGM/HP AGM	●
50% ↔	FLOODED	●
25% ↔	LITHIUM*	●

# MODE D'EMPLOI



Profil de charge à 77 °F (25 °C)			
Type de batterie	Fin de la pleine puissance	Égalisation	Maintien
Plomb-acide	14,4 V	15,5V	13,2V
AGM/AGM haute performance (Absorbed Glass Mat)	14,4 V	S.O.	13,4V
Lithium (LiFePO <sub>4</sub> )	14,2V	S.O.	S.O.



**AVIS :** En rangement, le chargeur reprendra automatiquement le processus de charge avec le mode Pleine puissance lorsque la tension de la batterie tombe sous 12,6 V.

## COMPENSATION DE TEMPÉRATURE »

La compensation de température ne s'applique qu'aux batteries au plomb-acide (plomb-acide, AGM et AGM haute performance) et n'est pas nécessaire pour les batteries au lithium. Pour une charge optimale d'une batterie au plomb-acier, les tensions de charge doivent être ajustées alors que la température de la batterie change. Alors que la température de la batterie augmente, on devrait réduire la tension de charge pour empêcher une surcharge de la batterie. Alors que la température de la batterie baisse, on devrait augmenter la tension de charge pour empêcher une sous-charge de la batterie. On ajuste seulement la tension « Fin de pleine puissance » avec la température. Pour chaque degré Celsius de changement de température, les tensions sont ajustées par 0,024 volt.



# DÉPANNAGE

## CONDITIONS D'ERREUR

Erreur	Solution
Une DEL ROUGE ⓘ fixe est allumée pour chaque bloc	<ul style="list-style-type: none"> <li>Aucune batterie n'est connectée à un câble de sortie. Cela peut aussi indiquer qu'un fusible a sauté dans le porte-fusible.</li> <li>La batterie est connectée à polarité contraire.</li> <li>Un court-circuit.</li> <li>La tension de la batterie est en dessous de 0,5 volt. Le bloc ne chargera pas une batterie dans cet état. Si en mode Lithium, le chargeur tentera de sortir la batterie du mode Veille.</li> <li>La tension de la batterie est au-dessus de 16 volts. Le bloc ne chargera pas une batterie dans cet état.</li> </ul>
Une DEL ROUGE ⓘ clignotante avec DEL JAUNE à 25 % fixe	<ul style="list-style-type: none"> <li>La batterie n'est pas passée au-dessus de 10,5 V dans un délai spécifique ou la batterie n'a pas terminé l'étape du mode Pleine puissance dans un délai spécifique. La batterie est possiblement endommagée et ne continuera pas à être chargée.</li> </ul>
Une DEL ROUGE ⓘ clignotante avec DEL JAUNE à 50 % fixe	<ul style="list-style-type: none"> <li>Un capteur de température est endommagé. Le bloc ne fonctionnera pas si cela se produit.</li> </ul>
Une DEL ROUGE ⓘ clignotante avec DEL JAUNE à 75 % fixe	<ul style="list-style-type: none"> <li>Le chargeur a surchauffé. Débrancher le chargeur et le laisser refroidir avant de reprendre le processus de charge.</li> </ul>
Une DEL ROUGE ⓘ clignotante et les DEL JAUNES à 25 %, 50 % et 75 % sont fixes	<ul style="list-style-type: none"> <li>Le chargeur est en mode Lithium et a dépassé le nombre de tentatives permises pour sortir la batterie du mode Veille.</li> </ul>
DEL VERTE clignotante et DEL JAUNE à 25 %	<ul style="list-style-type: none"> <li>La batterie est à moins de 10,5 volts et le chargeur est en mode de sécurité faible puissance. La charge complète commencera lorsque la batterie aura atteint une tension de 10,5 volts. Si la tension de la batterie ne dépasse pas 10,5 volts, s'assurer que toutes les charges sont déconnectées puis essayer à nouveau.</li> </ul>

## Spécifications de la tension d'entrée: 95-135à 135 V CA, 60 Hz

Modèle	N° de pièce	Tension du système	Blocs	Sortie par bloc (ampères)	Total Sortie (ampères)	Câble d'entrée	Câble de sortie	Taille Long. x Larg. x Haut. (po [cm])	Poids (lb)	Courant d'entrée (120 V CA, 60 Hz)
MK 106PCL	1831061	12 V	1	6 ampères	6 ampères	18 AWG - 6 pi (1,8 m)	16 AWG - 6 pi (1,8 m)	9-7/8 po (25,1 cm) X 3-1/2 po (8,9 cm) X 4 po (10,2 cm)	4 LB (1,8 kg)	2 A
MK 212PCL	1832121	12 V / 24 V	2	6 ampères	12 ampères	18 AWG - 6 pi (1,8 m)	16 AWG - 6 pi (1,8 m)	9-7/8 po (25,1 cm) X 3-1/2 po (8,9 cm) X 5-7/8 po (14,2 cm)	6,4 LB (2,7 kg)	4 A
MK 318PCL	1833181	12 V / 24 V / 36 V	3	6 ampères	18 ampères	18 AWG - 6 pi (1,8 m)	16 AWG - 6 pi (1,8 m)	9-7/8 po (25,1 cm) X 3-1/2 po (8,9 cm) X 7-3/4 po (19,7 cm)	8,4 LB (3,6 kg)	6 A
MK 110PCL	1831101	12 V	1	10 ampères	10 ampères	18 AWG - 6 pi (1,8 m)	16 AWG - 6 pi (1,8 m)	9-7/8 po (25,1 cm) X 3-1/2 po (8,9 cm) X 4 po (10,2 cm)	4 LB (1,8 kg)	2,8 A
MK 220PCL	1832201	12 V / 24 V	2	10 ampères	20 ampères	18 AWG - 6 pi (1,8 m)	16 AWG - 6 pi (1,8 m)	9-7/8 po (25,1 cm) X 3-1/2 po (8,9 cm) X 5-7/8 po (14,2 cm)	6,4 LB (2,7 kg)	5,6 A
MK 330PCL	1833301	12 V / 24 V / 36 V	3	10 ampères	30 ampères	18 AWG - 6 pi (1,8 m)	16 AWG - 6 pi (1,8 m)	9-7/8 po (25,1 cm) X 3-1/2 po (8,9 cm) X 7-3/4 po (19,7 cm)	8,4 LB (3,6 kg)	8,4 A
MK 440PCL	1834401	12 V / 24 V / 36 V / 48 V	4	10 ampères	40 ampères	16 AWG - 6 pi (1,8 m)	16 AWG - 6 pi (1,8 m)	9-7/8 po (25,1 cm) X 3-1/2 po (8,9 cm) X 9-7/8 po (25,1 cm)	10,5 LB (4,5 kg)	11,2 A
MK 550PCL	1835500	12 V / 24 V / 36 V / 48 V / 60 V	5	10 ampères	50 ampères	16 AWG - 6 pi (1,8 m)	16 AWG - 6 pi (1,8 m)	9-7/8 po (25,1 cm) X 3-1/2 po (8,9 cm) X 11 3/4 po (29,8 cm)	12,5 LB (5,4 kg)	13 A

# FOIRE AUX QUESTIONS

## FOIRE AUX QUESTIONS

1. Comment puis-je déterminer le type de batterie sélectionné sur mon chargeur PCL Minn Kota?
  - Une fois que l'alimentation CA est appliquée, la DEL située à côté du type de batterie correspondant s'allume pendant 2 secondes. Une fois les 2 secondes écoulées, les DEL commenceront à indiquer l'état du processus de charge. Le type de batterie peut également être vérifié pendant que le chargeur charge. Pour ce faire, il suffit d'appuyer sur le bouton de sélection des batteries et de le relâcher. Le chargeur arrêtera alors le processus de charge, indiquera le type de batterie à l'aide des DEL jaunes, puis recommencera le processus de charge.
2. Quel niveau de chaleur les chargeurs Minn Kota atteignent-ils?
  - Les chargeurs Minn Kota sont conçus pour fonctionner dans les limites définies par la norme UL 1236 pour les chargeurs de batteries marines. La température ambiante maximale recommandée pour charger les batteries est de 122 °F (50 °C). Même si le chargeur Minn Kota peut être utilisé dans un environnement à température ambiante élevée, nous recommandons de prévoir une zone libre de six pouces (15 cm) sur tous les côtés de l'appareil pour assurer une circulation d'air et un refroidissement appropriés.
3. Les chargeurs sont-ils remplaçables?
  - Il n'y a aucune pièce remplaçable à l'intérieur du chargeur.
4. Puis-je connecter deux sorties de chargeur à une seule batterie?
  - Oui, cela chargera la batterie presque deux fois plus vite parce qu'elles doublent le courant de charge de la batterie. Le courant de charge maximal sécuritaire de votre batterie doit être vérifié. Toujours vérifier les spécifications du fabricant de la batterie pour les courants de charge sécuritaires. Pour les batteries au plomb-acide à électrolyte liquide, le liquide dans la batterie est plus susceptible de s'évaporer avec des courants de charge plus élevés. Le niveau de liquide doit être vérifié fréquemment.
5. Si les batteries sont connectées en parallèle, puis-je utiliser une sortie de mon chargeur Minn Kota pour charger les batteries?
  - Oui, cependant, il faudra plus de temps pour charger plusieurs batteries. Les chargeurs de batterie sont équipés de minuteries de sécurité intégrées pour éviter la surcharge d'une seule batterie. Si le temps de chargement de plusieurs batteries connectées en parallèle dépasse des limites de temps spécifiques, le chargeur s'éteindra. Pour charger complètement plusieurs batteries connectées en parallèle, vous devrez peut-être débrancher et rebrancher le chargeur pour réinitialiser les minuteries de sécurité et terminer le processus de charge. Lors du branchement des batteries en parallèle, les batteries doivent être des mêmes marque, modèle, âge et condition. Toujours vérifier les spécifications du fabricant de la batterie.
6. Vais-je endommager mes batteries si je laisse le chargeur branché pendant de longues périodes sans l'utiliser?
  - Non. Les chargeurs embarqués Minn Kota fonctionnent en mode Flotte où ils maintiennent la tension de la batterie pendant 24 heures, puis passent en mode Stockage à long terme. Pendant ce temps, le chargeur ne transmet plus l'alimentation à la batterie et ne surveille que la tension. Le chargeur se remet automatiquement en marche lorsque la tension de la batterie baisse.

**AVIS :** Notre site Web met à votre disposition des FAQ visant à répondre à toutes vos questions au sujet des produits Minn Kota. Veuillez visiter le site Web [minnkotamotors.com](http://minnkotamotors.com) et cliquer sur « Frequently Asked Questions » (foire aux questions) pour trouver une réponse à votre question.

# SERVICE ET ENTRETIEN

## ENTRETIEN GÉNÉRAL

- Vérifier s'il y a présence de saleté, d'huile, de corrosion et autres sur le chargeur de batterie. Nettoyer la corrosion avec une solution d'eau et de bicarbonate de soude. Nettoyer à l'aide d'un chiffon sec.
- Vérifier s'il y a présence de saleté, d'huile et de corrosion de batterie sur les bornes à bague; les déconnecter ensuite des bornes de batterie et les nettoyer au besoin avec une solution d'eau et de bicarbonate de soude et les essuyer avec un chiffon sec propre.
- Afin d'éviter qu'ils ne s'endommagent, enrrouler les cordons d'alimentation quand le chargeur est rangé.
- Toujours ranger le chargeur dans un endroit propre et sec.
- Si le cordon ou la fiche d'alimentation est endommagé(e), vous pouvez communiquer avec le service de réparation de Minn Kota pour de l'information sur le service de réparation. Sinon, éliminer le chargeur de batterie en conformité avec les lois locales. Les cordons et fiches d'alimentation endommagés peuvent provoquer un choc électrique ou une électrocution.

## POUR D'AUTRES SERVICES DE DÉPANNAGE ET DE RÉPARATION

Nous offrons plusieurs options de dépannage et/ou de réparation pour votre produit. Veuillez parcourir les options énumérées ci-dessous.

### Foire aux questions

Notre site Web met à votre disposition des FAQ visant à répondre à toutes vos questions au sujet des produits Minn Kota. Veuillez visiter le site Web [minnkotamotors.com](http://minnkotamotors.com) et cliquer sur « Frequently Asked Questions » (foire aux questions) pour trouver une réponse à votre question.

### Appelez-nous (pour les États-Unis et le Canada)

Nos représentants du service à la clientèle sont disponibles du lundi au vendredi de 7 h à 16 h 30. (HNC), au 1 800 227-6433.

### Envoyez-nous un courriel

Envoyez-nous un courriel pour transmettre à notre service technique vos questions au sujet des produits Minn Kota. Pour transmettre votre question par courriel, visiter [minnkotamotors.com](http://minnkotamotors.com) et cliquer sur « Support » (soutien).

**AVIS :** Il n'y a aucune pièce remplaçable à l'intérieur du chargeur.



Balayez le code QR pour visiter le service en ligne Minn Kota.



# DÉCLARATION DE CONFORMITÉ

## DÉCLARATION DE CONFORMITÉ ENVIRONNEMENTALE

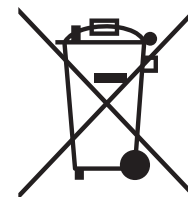
Il est dans l'intention de JOME d'être une entreprise citoyenne responsable, dont l'exploitation est conforme à la réglementation environnementale en vigueur et qui est connue pour être un bon voisin dans les collectivités où nous fabriquons ou vendons nos produits.

### DIRECTIVE DEEE

La directive européenne 2002/96/CE « Directive concernant les déchets d'équipements électriques et électroniques (DEEE) » a un impact sur la plupart des distributeurs, vendeurs et fabricants d'électronique pour le grand public au sein de l'Union européenne. La directive DEEE exige que le producteur d'électronique pour le grand public prenne une part de responsabilité, en ce qui concerne la gestion des déchets de leurs produits, afin d'atteindre une élimination écologique, et ce, tout au long du cycle de vie du produit.

Il se peut que, où vous êtes, vous ne soyez pas tenu d'agir en conformité avec la DEEE pour ce qui est des équipements électriques et électroniques (EEE), et il se peut qu'il en soit de même pour les EEE conçus et destinés à être utilisés comme installations fixes ou temporaires dans des véhicules de transport tels que des automobiles, avions et bateaux. Dans certains États de l'Union européenne, ces véhicules sont réputés ne pas relever de la directive, et les EEE, pour ces applications peuvent être considérés comme exclus de l'exigence de la directive DEEE.

Ce symbole (DEEE poubelle sur roues) sur le produit indique que ce dernier ne doit pas être jeté avec les déchets domestiques. Il doit être éliminé et collecté pour le recyclage et la récupération des EEE. Johnson Outdoors Inc. marquera tous les produits EEE en conformité avec la directive DEEE. Nous désirons nous conformer à la collecte, au traitement, à la récupération et à l'élimination écologique judicieuse de ces produits, mais ces exigences varient au sein des différents États membres de l'Union européenne. Pour de l'information supplémentaire sur l'endroit où vous pouvez éliminer les équipements usagés pour leur recyclage et leur récupération produit sur les exigences particulières des États membres de l'Union européenne, veuillez communiquer avec le détaillant ou le distributeur duquel vous avez acheté le produit.



### ÉLIMINATION

Les chargeurs Minn Kota ne sont pas soumis à la réglementation concernant l'élimination VGE-VO (directive pour les dispositifs électriques) qui met en œuvre la directive DEEE. Néanmoins, ne jamais jeter votre chargeur Minn Kota dans une poubelle, mais plutôt à l'endroit de collecte approprié identifié par le conseil de ville de votre localité.

Ne jamais jeter aucune pile à la poubelle. Se conformer aux directives d'élimination du fabricant ou de son représentant et la jeter à l'endroit approprié où s'effectue la collecte, recommandé par le conseil municipal local.



## CONFORMITÉ AUX NORMES FCC

Cet appareil est conforme à la partie 15 des règlements de la FCC. **Son fonctionnement est soumis aux deux conditions suivantes :**

1. Cet appareil ne peut pas provoquer d'interférences nuisibles.
2. Cet appareil doit accepter toute interférence qui peut être reçue, y compris les interférences pouvant entraîner un fonctionnement indésirable.

Les changements ou les modifications non expressément approuvés par Johnson Outdoors Marine Electronics, Inc. peuvent annuler l'autorisation de l'utilisateur de faire fonctionner cet équipement.

**AVIS :** Cet équipement a été testé et déclaré conforme aux limites d'un appareil numérique de classe A, conformément à la partie 15 des règlements de la FCC. Ces limites sont conçues pour fournir une protection raisonnable contre les interférences nuisibles dans une installation résidentielle. Cet équipement génère, utilise et peut émettre de l'énergie radioélectrique et, s'il n'est pas installé et utilisé conformément aux instructions, peut causer des interférences nuisibles aux communications radio. Cependant, il n'y a aucune garantie que des interférences ne surviendront pas dans une installation spécifique. **Si cet équipement provoque des interférences nuisibles à la réception des signaux de radio ou de télévision (on peut déterminer cela en éteignant et rallumant l'équipement), l'utilisateur est encouragé à essayer de corriger l'interférence par une ou plusieurs des mesures suivantes :**

- Réorientez ou déplacez l'antenne de réception.
- Augmentez la distance séparant l'équipement et le récepteur.
- Branchez l'équipement dans une prise sur un circuit différent de celui auquel le récepteur est branché.
- Consultez le détaillant ou un technicien radio/télévision expérimenté.

## CONFORMITÉ AUX NORMES D'INDUSTRIE CANADA

Ce produit est conforme aux spécifications techniques applicables d'Industrie Canada. Le fonctionnement est soumis aux deux conditions suivantes : (1) cet appareil ne peut causer d'interférences et (2) il doit tolérer toute interférence, même celle pouvant causer un fonctionnement indésirable de l'appareil.

Les changements ou les modifications non expressément approuvés par Johnson Outdoors Marine Electronics, Inc. peuvent annuler l'autorisation de l'utilisateur de faire fonctionner cet équipement.

## COTES ENVIRONNEMENTALES

Portée de température ambiante de fonctionnement : 14 °F à 122 °F (-10 °C à 50 °C)

Portée d'humidité ambiante de fonctionnement : 5 % à 95 %

Altitude maximale de fonctionnement : 10 000 pieds (3 048 mètres)

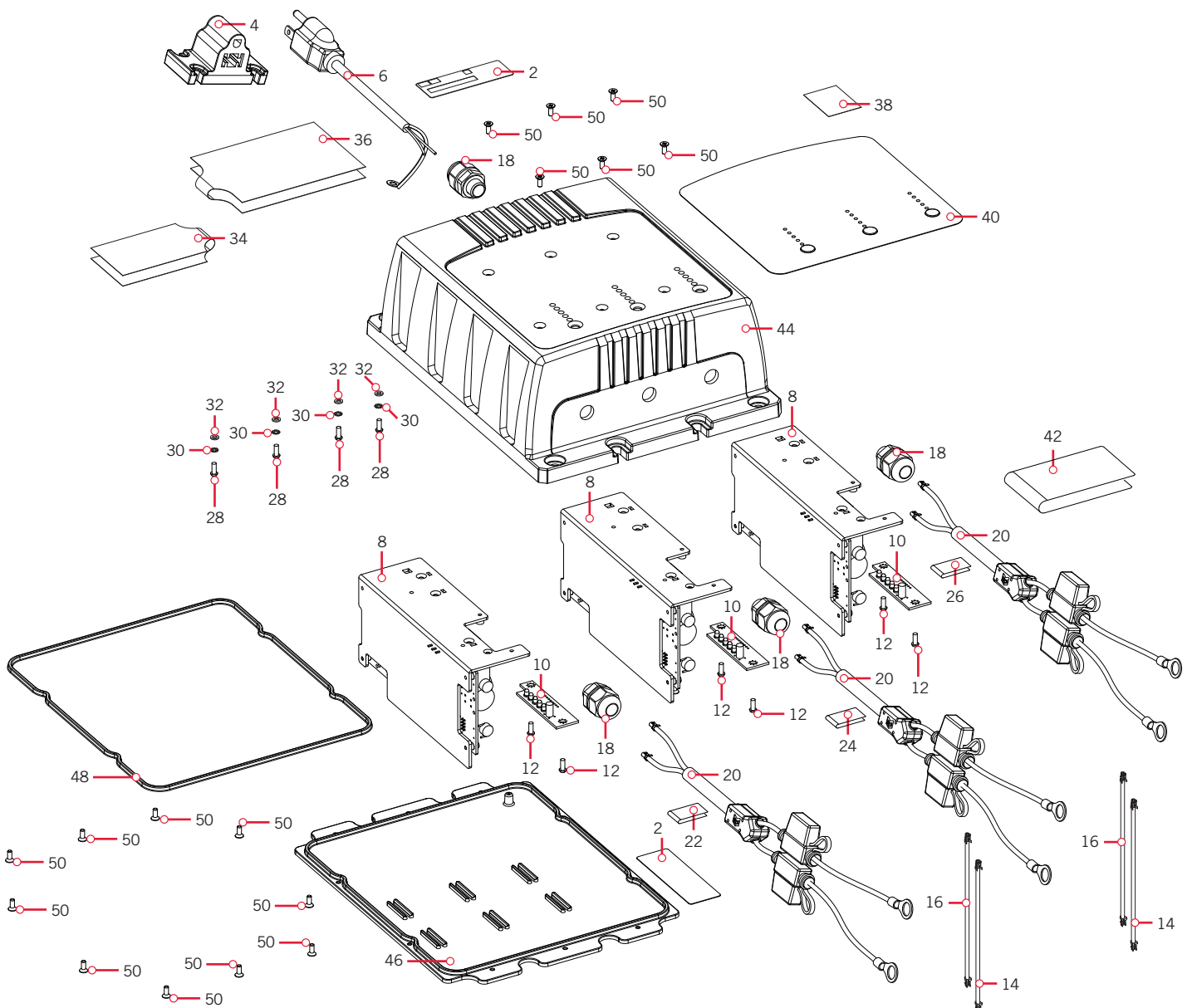
# SCHÉMA DES PIÈCES ET LISTE DES PIÈCES

## MK 106PC / MK 212PCL / MK 318PCL / MK 110PCL / MK 220PCL / MK 330PCL / MK 440PCL / MK 550PCL

Ce schéma des pièces et cette liste des pièces fournissent les directives pour la dépose de Minn Kota en conformité avec la directive DEEE. Pour de l'information supplémentaire sur l'endroit où vous pouvez éliminer les équipements usagés pour leur recyclage et leur récupération produit sur les exigences particulières des États membres de l'Union européenne, veuillez communiquer avec le détaillant ou le distributeur duquel vous avez acheté le produit. Liste non exhaustive des outils requis : coupe-fils.

### MK 106PC / MK 212PCL / MK 318PCL >

### > Diagramme des pièces du chargeur MK 106PC / MK 212PCL / MK 318PCL



## SCHÉMA DES PIÈCES ET LISTE DES PIÈCES

### ► Liste des pièces du chargeur MK 106PC / MK 212PCL / MK 318PCL

Article	N° de pièce	Description	Remarques	Quantité
2	✖	DECAL-SERIAL NUMBER 3" NYLON		2
4	✖	PLUG HOLDER, AC		1
▲	✖	MANUAL, 6/10A PCL CHARGER		1
6	✖	INPUT CORD, 18AWG		1
8	✖	PCB ASM, 6A PCL CHARGER		1/2/3
▲	✖	PCB, 6A PCL CHRGR		1/2/3
▲	✖	TRANSFORMER, 6A PCL CHRGR		1/2/3
▲	✖	HEAT SINK, 6/10A PCL CHRGR		1/2/3
▲	✖	INSULATOR-LG, 6/10A PCL		1/2/3
▲	✖	INSULATOR-SM, 6/10A PCL		1/2/3
10	✖	BOARD, LED, 6/10A PCL		1/2/3
12	✖	SCREW, M3, 8MM		2/4/6
▲	✖	LOCKWASHER-STAR, M4		2/4/6
▲	✖	WASHER-3MM, ZINC PLATED STEEL		2/4/6
14	✖	AC BRD CONNECT,16 AWG,WHT	*MK-212PCL* *MK-318PCL*	1/2
16	✖	AC BRD CONNECT,16 AWG,BLK	*MK-212PCL* *MK-318PCL*	1/2
18	✖	STRAIN RELIEF, METAL PCL		2/3/4
20	✖	OUTPUT CORD,2 CONDUCTOR, 16AWG		1/2/3
22	✖	DECAL-BANK 1, WRAP AROUND	*MK-212PCL* *MK-318PCL*	1
24	✖	DECAL-BANK 2, WRAP AROUND	*MK-212PCL* *MK-318PCL*	1
26	✖	DECAL, BANK 3 WRAP AROUND	*MK-318PCL*	1
28	✖	SCREW-M4, 8MM, PCL CHRGR		2/3/4
30	✖	WASHER-4MM, SPLIT LOCK		2/3/4
32	✖	WASHER-4MM, ZP STEEL		2/3/4
34	✖	LABEL-WARNING, INPUT CORD		1
36	✖	LABEL-WARNING MK-106PCL	*MK-106PCL*	1
	✖	LABEL-WARNING MK-212PCL	*MK-212PCL*	1
	✖	LABEL-WARNING MK-318PCL	*MK-318PCL*	1
38	✖	DECAL-OVERLAY,BAT.SELECT		1
40	✖	DECAL-TOP, MK-106PCL CHRGR	*MK-106PCL*	1
	✖	DECAL-TOP, MK-212PCL CHRGR	*MK-212PCL*	1
	✖	DECAL-TOP, MK-318PCL CHRGR	*MK-318PCL*	1
42	✖	DECAL-ERROR CODE 6/10A PCL		1
44	✖	COVER-DIECAST, 1 BNK PCL	*MK-106PCL*	1
	✖	COVER-DIECAST, 2 BNK PCL	*MK-212PCL*	1
	✖	COVER-DIECAST, 3 BNK PCL	*MK-318PCL*	1

✖ Cette pièce est incluse dans un ensemble et ne peut pas être commandée individuellement.

▲ Non illustrée sur le schéma des pièces.

# SCHÉMA DES PIÈCES ET LISTE DES PIÈCES



Article	N° de pièce	Description	Remarques	Quantité
46	✖	BASE-DIECAST, 1 BNK PCL	*MK-106PCL*	1
	✖	BASE-DIECAST, 2 BNK PCL	*MK-212PCL*	1
	✖	BASE-DIECAST, 3 BNK PCL	*MK-318PCL*	1
48	✖	GASKET, 1 BNK 6/10A PCL	*MK-106PCL*	1
	✖	GASKET, 2 BNK 6/10A PCL	*MK-212PCL*	1
	✖	GASKET, 3 BNK 6/10A PCL	*MK-318PCL*	1
50	✖	SCREW-M3 FLAT,8MM 6/10 PCL		10/14/18

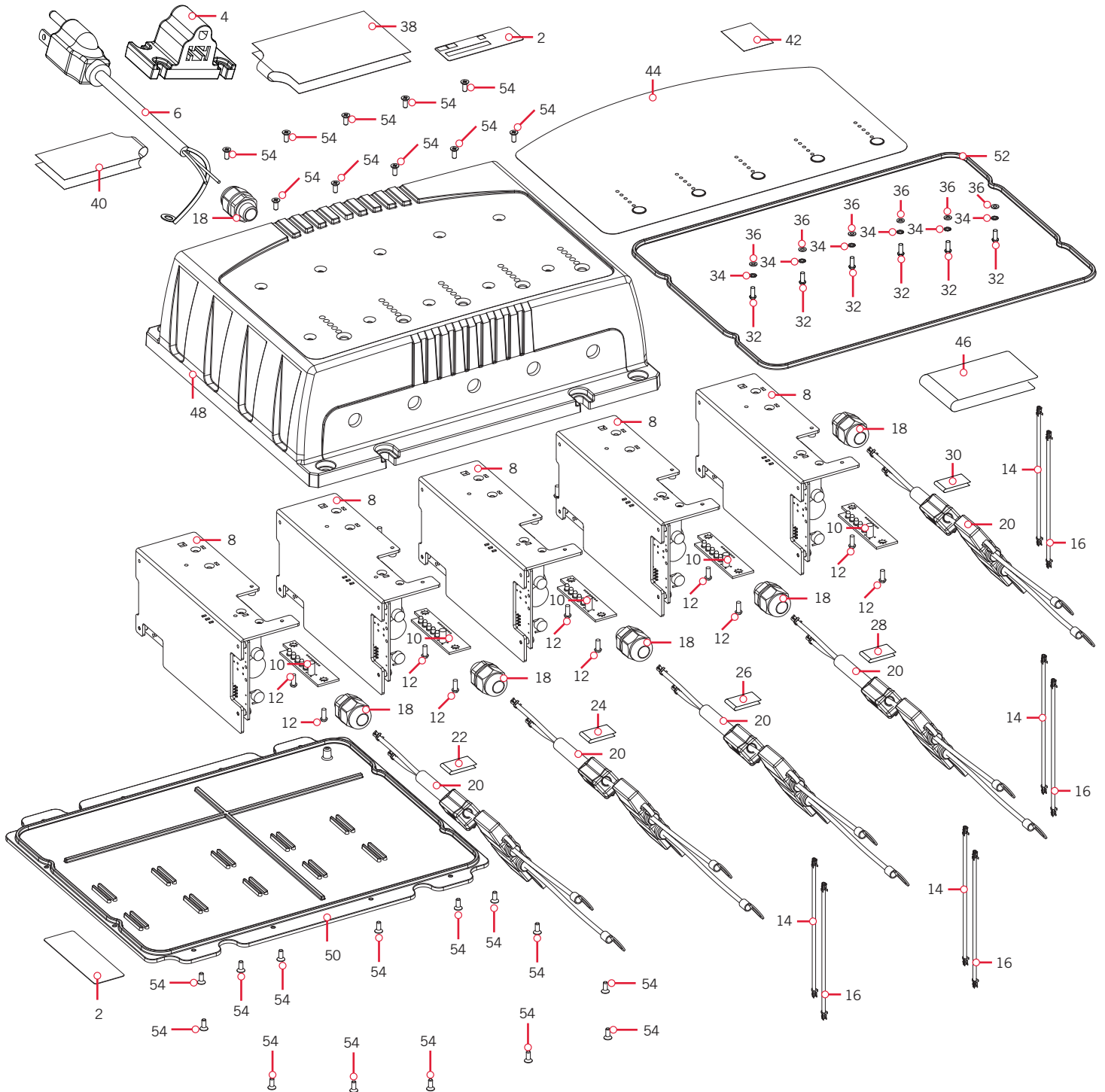
✖ Cette pièce est incluse dans un ensemble et ne peut pas être commandée individuellement.

▲ Non illustrée sur le schéma des pièces.

# SCHEMA DES PIÈCES ET LISTE DES PIÈCES

MK 110PCL / MK 220PCL / MK 330PCL / MK 440PCL / MK 550PCL

## Diagramme des pièces du chargeur MK 110PCL / MK 220PCL / MK 330PCL / MK 440PCL / MK 550PCL



## SCHÉMA DES PIÈCES ET LISTE DES PIÈCES

### › Liste des pièces du chargeur MK 110PCL / MK 220PCL / MK 330PCL / MK 440PCL / MK 550PCL

Article	N° de pièce	Description	Remarques	Quantité
2	✖	DECAL-SERIAL NUMBER 3" NYLON		2
4	✖	PLUG HOLDER, AC		1
▲	✖	MANUAL, 6/10A PCL CHARGER		1
6	✖	INPUT CORD, 18AWG		1
8	✖	PCB ASM, 10A PCL CHARGER		1/2/3/4/5
▲	✖	PCB, 10A PCL CHRGR		1/2/3/4/5
▲	✖	TRANSFORMER, 10A PCL CHRGR		1/2/3/4/5
▲	✖	HEAT SINK, 6/10A PCL CHRGR		1/2/3/4/5
▲	✖	INSULATOR-LG, 6/10A PCL		1/2/3/4/5
▲	✖	INSULATOR-SM, 6/10A PCL		1/2/3/4/5
10	✖	BOARD, LED, 6/10A PCL		1/2/3/4/5
12	✖	SCREW, M3, 8MM		2/3/4/5/6
▲	✖	LOCKWASHER-STAR, M4		2/3/4/5/6
▲	✖	WASHER-3MM, ZINC PLATED STEEL		2/3/4/5/6
14	✖	AC BRD CONNECT,16 AWG,WHT	*MK-220PCL* *MK-330PCL* *MK-440PCL*	1/2/3/4
16	✖	AC BRD CONNECT,16 AWG,BLK	*MK-220PCL* *MK-330PCL* *MK-440PCL*	1/2/3/4
18	✖	STRAIN RELIEF, METAL PCL		2/3/4/5/6
20	✖	OUTPUT CORD,2 CONDUCTOR, 16AWG		1/2/3/4/5
22	✖	DECAL-BANK 1, WRAP AROUND	*MK-220PCL* *MK-330PCL* *MK-440PCL* *MK-550PCL*	1
24	✖	DECAL-BANK 2, WRAP AROUND	*MK-220PCL* *MK-330PCL* *MK-440PCL* *MK-550PCL*	1
26	✖	DECAL, BANK 3 WRAP AROUND	*MK-330PCL* *MK-440PCL* *MK-550PCL*	1
28	✖	DECAL, BANK 4 WRAP AROUND	*MK-440PCL* *MK-550PCL*	1
30	✖	DECAL BANK 5 WRAP AROUND	*MK-550PCL*	1
32	✖	SCREW-M4, 8MM, PCL CHRGR		2/3/4/5/6
34	✖	WASHER-4MM, SPLIT LOCK		2/3/4/5/6
36	✖	WASHER-4MM, ZP STEEL		2/3/4/5/6
38	✖	LABEL-WARNING MK-110PCL	*MK-110PCL*	1
	✖	LABEL-WARNING MK-220PCL	*MK-220PCL*	1
	✖	LABEL-WARNING MK-330PCL	*MK-330PCL*	1
	✖	LABEL-WARNING MK-440PCL	*MK-440PCL*	1
	✖	LABEL-WARNING MK-550PCL	*MK-550PCL*	1
40	✖	LABEL-WARNING, INPUT CORD		1
42	✖	DECAL-OVERLAY,BAT.SELECT		1

✖ Cette pièce est incluse dans un ensemble et ne peut pas être commandée individuellement.

▲ Non illustrée sur le schéma des pièces.

## SCHÉMA DES PIÈCES ET LISTE DES PIÈCES



Article	N° de pièce	Description	Remarques	Quantité
44	✖	DECAL-TOP, MK-110PCL CHRGR	*MK-110PCL*	1
	✖	DECAL-TOP, MK-220PCL CHRGR	*MK-220PCL*	1
	✖	DECAL-TOP, MK-330PCL CHRGR	*MK-330PCL*	1
	✖	DECAL-TOP, MK-440PCL CHRGR	*MK-440PCL*	1
	✖	DECAL-TOP, MK-550PCL CHRGR	*MK-550PCL*	1
46	✖	DECAL-ERROR CODE 6/10A PCL		1
48	✖	COVER-DIECAST, 1 BNK PCL	*MK-110PCL*	1
	✖	COVER-DIECAST, 2 BNK PCL	*MK-220PCL*	1
	✖	COVER-DIECAST, 3 BNK PCL	*MK-330PCL*	1
	✖	COVER-DIECAST, 4 BNK PCL	*MK-440PCL*	1
	✖	COVER-DIECAST, 5 BNK PCL	*MK-550PCL*	1
50	✖	BASE-DIECAST, 1 BNK PCL	*MK-110PCL*	1
	✖	BASE-DIECAST, 2 BNK PCL	*MK-220PCL*	1
	✖	BASE-DIECAST, 3 BNK PCL	*MK-330PCL*	1
	✖	BASE-DIECAST, 4 BNK PCL	*MK-440PCL*	1
	✖	BASE-DIECAST, 5 BNK PCL	*MK-550PCL*	1
52	✖	GASKET, 1 BNK 6/10A PCL	*MK-110PCL*	1
	✖	GASKET, 2 BNK 6/10A PCL	*MK-220PCL*	1
	✖	GASKET, 3 BNK 6/10A PCL	*MK-330PCL*	1
	✖	GASKET, 4 BNK 6/10A PCL.	*MK-440PCL*	1
	✖	GASKET, 5 BNK 6/10A PCL	*MK-550PCL*	1
54	✖	SCREW-M3 FLAT,8MM 6/10 PCL		10/14/18/22/24

✖ Cette pièce est incluse dans un ensemble et ne peut pas être commandée individuellement.

▲ Non illustrée sur le schéma des pièces.





# ACCESSOIRES RECOMMANDÉS

## › CÂBLES DE RALLONGE DE SORTIE DU CHARGEUR

Les câbles de rallonge sont idéaux quand les câbles du chargeur ne se rendent pas aux compartiments de batterie de l'étrave, du centre ou de la traverse. Doté de connecteurs rapides WAGO® Wall-Nut™ (homologués UL). Fils positif et négatif équipés d'un fusible (30 ampères). Offert dans une longueur de 15 pi (4,5 m).



MK-EC-15

## › PORT CA

(Eaux douces et eaux salées)

Notre adaptateur pratique permet une connexion dans la coque rapide à une rallonge CA en utilisant la prise mâle CA de n'importe lequel de nos chargeurs. Aucune coupe ou épissure requises. Le couvercle imperméable et le joint empêchent la corrosion sur la prise CA lorsque le chargeur n'est pas utilisé.



MKR-21



MKR-23

## › ANCRE POUR EAUX PEU PROFONDES TALON

Voici le tout nouveau Talon à nouvelle conception profilée. Talon est la seule ancre pour eaux peu profondes avec jusqu'à 15 pi (4,6 m) de profondeur d'ancrage, plusieurs modes d'ancrage et le contrôle à partir de la proue, du tableau arrière, de la console, de la télécommande ou d'un appareil mobile.



### ÉCLAIRAGE DE TRAVAIL INTÉGRÉ

Vous permet de fixer les lignes et de travailler à partir du tableau arrière à tout moment de la journée, ou de la nuit. Comprend des lumières DEL blanches et bleues avec trois intensités.



### JUSQU'À UNE PROFONDEUR DE 15 PI [4,6 M]

Contrôlez plus d'eau et attrapez plus de poissons avec la première ancre de 15 pi (4,6 m) pour eau peu profonde.



### CONNECTIVITÉ BLUETOOTH®

Vous permet de contrôler votre Talon à partir de votre appareil mobile, ainsi que le mettre à jour facilement. Elle ouvre aussi la communication à d'autres options de contrôle.



### D'AUTRES OPTIONS DE COMMANDE

- Panneau de commande
- Télécommande sans fil
- Application mobile
- Pédale sans fil
- Connectivité Humminbird<sup>MD</sup>
- Télécommande i-Pilot<sup>®</sup> et i-Pilot Link



## › ACCESSOIRES MINN KOTA

Nous offrons un large éventail d'accessoires pour les propulseurs électriques, y compris:

- Un Disjoncteur de 60 A
- Des Supports de Montage
- Des Ensembles Stabilisateur
- Des Rallonges de Poignée
- Des connecteurs de batterie
- Bacs à Batterie
- Des fiches de connexion rapide



Minn Kota Consumer & Technical Service  
Johnson Outdoors Marine Electronics, Inc.  
PO Box 8129  
Mankato, MN 56001

121 Power Drive  
Mankato, MN 56001  
Phone (800) 227-6433  
Fax (800) 527-4464



©2021 Johnson Outdoors Marine Electronics, Inc.  
All rights reserved.