



# **CORDED FOOT PEDAL**

**FOR POWERDRIVE™ & RIPTIDE® POWERDRIVE™**

**Owner's Manual**

Compatible with PowerDrive, PowerDrive V2, Riptide PowerDrive, and Riptide SP motors  
manufactured in 2007 and after

# SAFETY CONSIDERATIONS

## WARNING

You are responsible for the safe and prudent operation of your vessel. We have designed your Foot Pedal to be an accurate and reliable tool that will enhance boat operation and improve your ability to catch fish. This product does not relieve you from the responsibility for safe operation of your boat. You must avoid hazards to navigation and always maintain a permanent watch so you can respond to situations as they develop. You must always be prepared to regain manual control of your boat. Learn to operate your Foot Pedal in an area free from hazards and obstacles.

## CAUTION

For safety reasons, disconnect the motor from the battery/batteries when the motor is not in use or while the battery/batteries are being charged. If the motor control is left on, and the Foot Pedal is accidentally engaged, and the propeller rotation is blocked, severe motor damage can result.

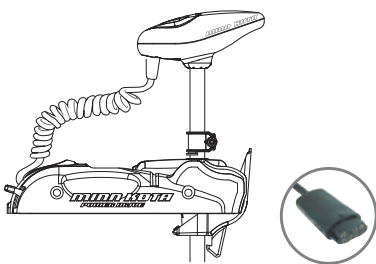
## WARNING


Practice proper ergonomics when operating the foot pedal to prevent injury.

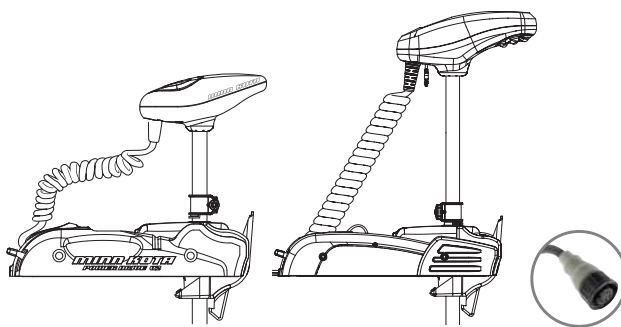
### COMPATIBILITY


#### › Compatible with PowerDrive, PowerDrive V2, Riptide PowerDrive, and Riptide SP motors manufactured in 2007 and after.

Check that your motor has a round, gray foot pedal plug (not rectangular) to ensure compatibility. Please note that the PowerDrive Foot Pedal is not compatible with motors installed with i-Pilot or i-Pilot Link.



 **Legacy PowerDrive** that have black, rectangular plug



 **PowerDrive V2 or PowerDrive mfg. 2007 or after** that have round, gray foot pedal plug

# INSTALLATION

## INSTALLING THE POWERDRIVE & RIPTIDE POWERDRIVE FOOT PEDAL

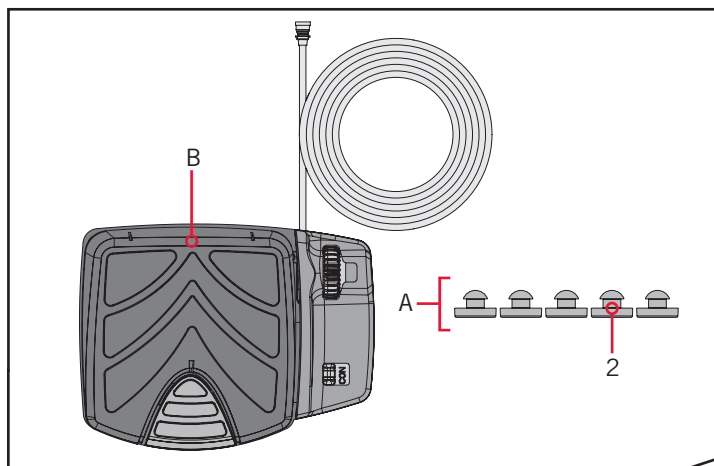
Your new PowerDrive Foot Pedal accessory comes with everything you'll need to directly install it on your trolling motor. These instructions are intended to show how to install your new PowerDrive Foot Pedal on a PowerDrive trolling motor. Please review the parts list and mounting considerations for installation prior to getting started. For additional product support, please visit [minnkotamotors.com](http://minnkotamotors.com).

### INSTALLATION PARTS LIST >

Item / Assembly	Part #	Description	Qty.
A	2994859	BAG ASY-TERROVA/V2,RUB.BUMPERS	1
B	2994728	FOOT PEDAL ASSEMBLY, PD	1
▲	2377167	MANUAL-FT PEDAL, POWERDRIVE V3	1
2	2325110	PAD, FOOT PEDAL PD	5

▲ Not shown on Parts Diagram.

**NOTICE:** The PowerDrive Foot Pedal accessory is not compatible with motors installed with i-Pilot or i-Pilot Link.



### MOUNTING CONSIDERATIONS >

Before installing your PowerDrive Foot Pedal, make sure that it is compatible with your motor. To review compatibility, please refer to the "Compatibility" section of this manual. When placing the PowerDrive Foot Pedal on your boat, select a location that will not obstruct boat operation and that is appropriate for trolling motor operation. Place the PowerDrive Foot Pedal in a foot pedal well on your boat if it has one, or any location where it will be free from water and debris.

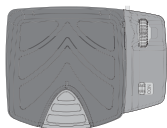
### INSTALLATION >

## > Installing the PowerDrive & Riptide PowerDrive Foot Pedal

1

#### ITEM(S) NEEDED

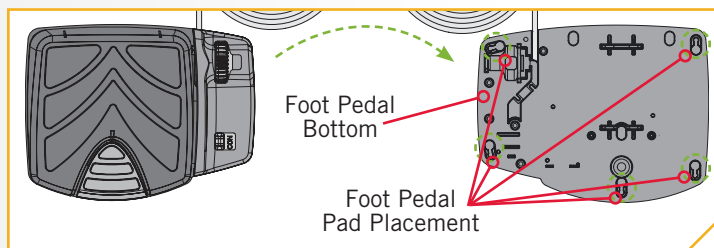
#2 x 5



#B x 1

- Take the Foot Pedal (Item #B) and turn it over. Put a Foot Pedal Pad (Item #2) in each of the pad locations.

**NOTICE:** Adding the Foot Pedal pads is optional. The pads are recommended when using the Foot Pedal on non-carpeted surfaces.

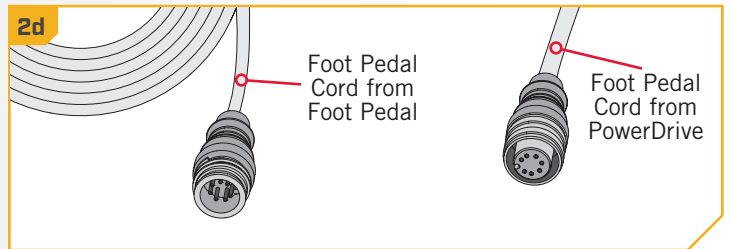
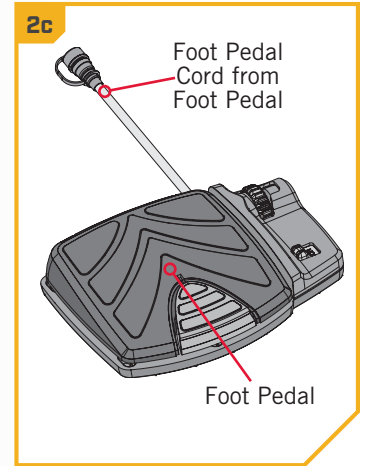
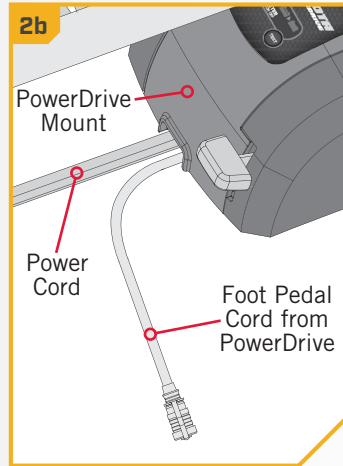


# INSTALLATION

2

- b. Locate the Foot Pedal Cord that exits the mount of the PowerDrive, next to the Power Cord.
- c. Unscrew the cap at the end of the Foot Pedal Cord that exits the motor and the cord on the Foot Pedal.
- d. Plug the cords together and make sure the connection is secure. Be sure to tighten the connector retaining nut.

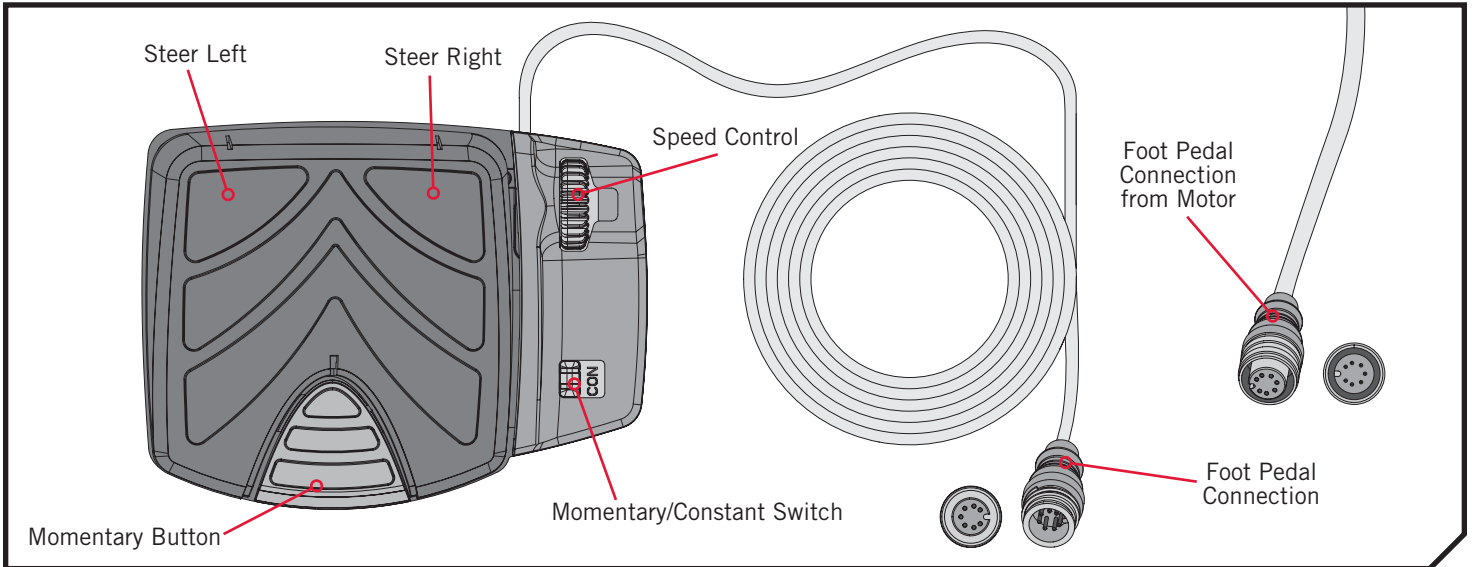
**NOTICE:** The connectors are keyed to prevent reversed installation.



# USING THE FOOT PEDAL

## CONTROLLING SPEED & STEERING WITH THE FOOT PEDAL

The foot pedal is used to operate the motor, and controls on the foot pedal are easy to operate by either foot or hand. The motor can also be controlled by an i-Pilot remote, or a compatible Minn Kota remote if equipped with an appropriate i-Pilot or CoPilot receiver. Please refer to the i-Pilot or compatible remote manual on how the remote controls the motor. To learn more about accessories that are compatible with the PowerDrive please visit [minnkotamotors.com](http://minnkotamotors.com).



### › Momentary Button

The Momentary Button is located at the heel end of the foot pedal and is used to turn the propeller on.

### › Momentary/Constant Switch

The Momentary/Constant Switch is used to toggle between Momentary and Constant Mode. During Momentary Mode (MOM), the propeller only turns while pressure is applied to the Momentary Button. While in Constant Mode (CON), the propeller will run continuously regardless of pressure being applied to the Momentary Button.

If a propeller encounters an obstruction while either in Momentary or Constant Mode, while the propeller is running, the increased electrical current being generated by the obstruction will signal the motor to decrease the power to the propeller to prevent damage. If the current overload is detected for more than 20 seconds, the prop will be disabled to prevent damage to the motor. In this event, the operator can turn the prop back on after being sure that the obstruction has been cleared.

### › Speed Control

The Speed Control dial is on the upper right side of the toe end of the Foot Pedal. Turn the Speed Knob forward to increase speed and backward to decrease speed. Speed can also be adjusted using the remote, if applicable.

## ⚠ CAUTION

The steering system is designed to turn your motor 360°. Be careful to avoid over-wrapping the coil cord around the composite shaft. Damage to the coil cord can occur when it is over-wrapped, which will prevent the motor from operating correctly.

# USING THE FOOT PEDAL



## › Steer Right and Steering Left

The main button on the foot pedal is to control steering. Steer Right by applying pressure to the right side of the button and Steer Left by applying pressure to the left side of the button. The position and direction of the Steering Head directly corresponds to the position of the motor. You must use your foot on the pedal to control the steering direction during manual operation. The direction of the motor can also be controlled with the remote, if the motor is properly equipped with the appropriate receiver.

## › Steering in Reverse

The propeller always turns in the forward direction. You can reverse the direction of thrust by turning the motor 180°.

**NOTICE:** The motor will not auto correct to drive straight.

### **WARNING**

You are responsible for the safe and prudent operation of your vessel. We have designed PowerDrive to be an accurate and reliable tool that will enhance boat operation and improve your ability to catch fish. This product does not relieve you from the responsibility for safe operation of your boat. You must avoid hazards to navigation and always maintain a permanent watch so you can respond to situations as they develop. You must always be prepared to regain manual control of your boat. Learn to operate your PowerDrive in an area free from hazards and obstacles.

### **CAUTION**

For safety reasons, disconnect the motor from the battery/batteries when the motor is not in use or while the battery/batteries are being charged. If the motor control is left on and the propeller rotation is blocked, severe motor damage can result.

### **WARNING**

Practice proper ergonomics when operating the foot pedal to prevent injury.



# COMPLIANCE STATEMENTS

## ENVIRONMENTAL COMPLIANCE STATEMENT

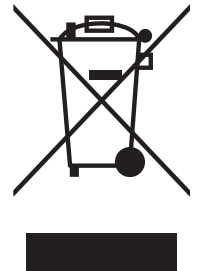
It is the intention of JOME to be a responsible corporate citizen, operating in compliance with known and applicable environmental regulations, and a good neighbor in the communities where we make or sell our products.

### WEEE DIRECTIVE

EU Directive 2002/96/EC “Waste of Electrical and Electronic Equipment Directive (WEEE)” impacts most distributors, sellers, and manufacturers of consumer electronics in the European Union. The WEEE Directive requires the producer of consumer electronics to take responsibility for the management of waste from their products to achieve environmentally responsible disposal during the product life cycle.

WEEE compliance may not be required in your location for electrical & electronic equipment (EEE), nor may it be required for EEE designed and intended as fixed or temporary installation in transportation vehicles such as automobiles, aircraft, and boats. In some European Union member states, these vehicles are considered outside of the scope of the Directive, and EEE for those applications can be considered excluded from the WEEE Directive requirement.

This symbol (WEEE wheelie bin) on product indicates the product must not be disposed of with other household refuse. It must be disposed of and collected for recycling and recovery of waste EEE. Johnson Outdoors Inc. will mark all EEE products in accordance with the WEEE Directive. It is our goal to comply in the collection, treatment, recovery, and environmentally sound disposal of those products; however, these requirements do vary within European Union member states. For more information about where you should dispose of your waste equipment for recycling and recovery and/or your European Union member state requirements, please contact your dealer or distributor from which your product was purchased.



### DISPOSAL

Minn Kota motors are not subject to the disposal regulations EAG-VO (electric devices directive) that implements the WEEE directive. Nevertheless never dispose of your Minn Kota motor in a garbage bin but at the proper place of collection of your local town council.

Never dispose of battery in a garbage bin. Comply with the disposal directions of the manufacturer or his representative and dispose of them at the proper place of collection of your local town council.

# COMPLIANCE STATEMENTS



## FCC COMPLIANCE

This device complies with Part 15 of the FCC rules. **Operation is subject to the following two conditions:**

1. This device may not cause harmful interference.
2. This device must accept any interference that may be received, including interference that may cause undesired operation.

Changes or modifications not expressly approved by Johnson Outdoors Marine Electronics, Inc. could void the user's authority to operate this equipment.

**NOTICE:** This equipment has been tested and found to comply with the limits for a Class B digital device, pursuant to part 15 of the FCC Rules. These limits are designed to provide reasonable protection against harmful interference in a residential installation. This equipment generates, uses and can radiate radio frequency energy and, if not installed and used in accordance with the instructions, may cause harmful interference to radio communications. However, there is no guarantee that interference will not occur in a particular installation. **If this equipment does cause harmful interference to radio or television reception, which can be determined by turning the equipment off and on, the user is encouraged to try to correct the interference by one or more of the following measures:**

- Reorient or relocate the receiving antenna.
- Increase the separation between the equipment and receiver.
- Connect the equipment into an outlet on a circuit different from that to which the receiver is connected.
- Consult the dealer or an experienced radio/TV technician for help.

## INDUSTRY CANADA COMPLIANCE

This product meets the applicable Industry Canada technical specifications. Operation is subject to the following two conditions: (1) this device may not cause interference, and (2) this device must accept any interference, including interference that may cause undesired operation of the device.

Changes or modifications not expressly approved by Johnson Outdoors Marine Electronics, Inc. could void the user's authority to operate this equipment.

## ENVIRONMENTAL RATINGS

Ambient operating temperature range: -10C to 50C

Ambient operating humidity range: 5% to 95%

Maximum operating altitude: 10,000 feet





# SERVICE & MAINTENANCE

## GENERAL MAINTENANCE

- Keep the Foot Pedal well dry and clean. Debris that gets in the Foot Pedal can cause interference of pedal operation. It is recommended to use compressed air to clean the foot pedal after each use.

## TROUBLESHOOTING

**NOTICE:** For malfunctions, visit an Authorized Service Center. You can search for an Authorized Service Center in your area by visiting our Authorized Service page, found on-line at [minnkotamotors.com](http://minnkotamotors.com), or by calling our customer service number at 800-227-6433.

## FOR FURTHER TROUBLESHOOTING AND REPAIR

We offer several options to help you troubleshoot and/or repair your product. Please read through the options listed below.



### Buy Parts Online

You can buy parts on-line directly from our website at [minnkotamotors.com](http://minnkotamotors.com). Orders confirmed by 12 noon central time will ship same day if in stock. Orders after 12 noon central time will ship the next business day if in stock.



### Frequently Asked Questions

We have FAQs available on our website to help answer all of your Minn Kota questions. Visit [minnkotamotors.com](http://minnkotamotors.com) and click on "Frequently Asked Questions" to find an answer to your question.



### Call Us (for U.S. and Canada)

Our consumer service representatives are available Monday – Friday between 7:00 a.m. – 4:30 p.m. CST at 800-227-6433. If you are calling to order parts, please have the 11-character serial number from your product, specific part numbers, and credit card information available. This will help expedite your call and allow us to provide you with the best consumer service possible. You can reference the parts list located in your manual to identify the specific part numbers.



### Email Us

You can email our consumer service department with questions regarding your Minn Kota products. To email your question, visit [minnkotamotors.com](http://minnkotamotors.com) and click on "Support".



### Authorized Service Centers

Minn Kota has over 800 authorized service centers in the United States and Canada where you can purchase parts or get your products repaired. Please visit our Authorized Service Center page on our website to locate a service center in your area.

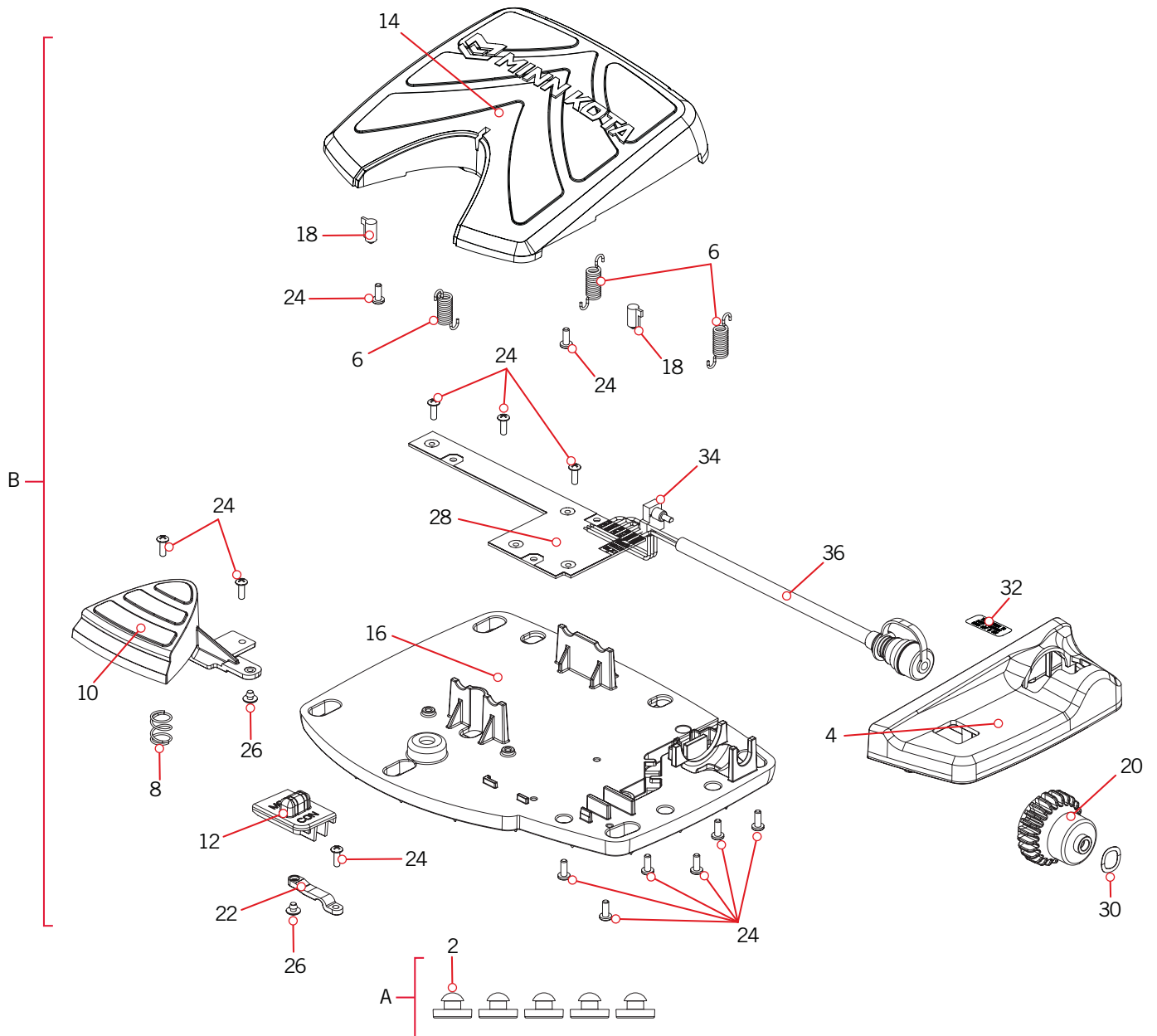


Scan to visit Minn Kota service online.

# PARTS DIAGRAM & PARTS LIST

## POWERDRIVE & RIPTIDE POWERDRIVE FOOT PEDAL

### Foot Pedal Parts Diagram



» Foot Pedal Parts List

Assembly	Part #	Description	Quantity
A	2994859	BAG ASY-TERROVA/V2,RUB.BUMPERS	1
B	2994728	FOOT PEDAL ASM, POWERDRIVE	1
Item	Part #	Description	Quantity
▲	2377167	MANUAL-FT PEDAL, POWERDRIVE V3	1
2	2325110	PAD, FOOT PEDAL PD	5
4	2300275	COVER-SPEED SELECTOR,PD FP,BLK	1
6	2302730	SPRING-LONG-UPPER PEDAL [A118	3
8	2302732	SPRING-LOWER PEDAL S/S [A120	1
10	2303725	BUTTON-MOMENTARY, PD FP, BLK	1
12	2303730	BUTTON-MOM/CON, PD FP, BLK	1
14	2304406	PEDAL-FOOT, UPPER, POWERDRIVE	1
16	2304508	BASE, PEDAL PD	1
18	2305136	BUMPER,STRG RCKR,PD FP,RUBBER	2
20	2307905	WHEEL-SPEED, PD FP, BLK	1
22	2308609	SWITCH LEVER, SINGLE	1
24	2302105	SCREW-#6-19 X 3/8 HIGH-LOW SS	14
26	2335130	BUMBER ACTUATOR	2
28	✱	PCB ASSEMBLY, PD FOOT PEDAL	1
30	2301750	WASHER, WAVE, PD V3 FP	1
32	2316600	DECAL-ON/OFF SWITCH/PD V2 PED	1
34	✱	POT ASSY,TERROVA FT.PED	1
36	2320708	CONTROL CORD ASSY, 6-PIN	1

✱ This part is included in an assembly and cannot be ordered individually.

▲ Not shown on Parts Diagram.

# RECOMMENDED ACCESSORIES

## ON-BOARD & PORTABLE BATTERY CHARGERS

Stop buying new batteries and start taking care of the ones you've got. Many chargers can actually damage your battery over time – creating shorter run times and shorter overall life. Digitally controlled Minn Kota chargers are designed to provide the fastest charge that protect and extend battery life.



MK212PC



MK210D



MK110PD

## TALON SHALLOW WATER ANCHOR

Introducing the all-new, sleek redesigned Talon. Talon is the only shallow water anchor with up to 15' of anchoring depth, multiple anchoring modes, and control from the bow, transom, console, remote or mobile device.



### BUILT-IN WORK LIGHT

Lets you tie lines and work from the transom any time of day — or night. Includes both white and blue LED lights with three brightness settings.



### BLUETOOTH® CONNECTIVITY

Lets you control Talon from your mobile device and easily update it. Also opens up communication to other control options.



### UP TO 15' DEEP

Control more water and catch more fish with the first 15' shallow water anchor.



### MORE CONTROL OPTIONS

- Control Panel
- Wireless Remote
- Mobile App
- Wireless Foot Switch
- Humminbird® Connectivity
- i-Pilot® & i-Pilot Link™ Remote



## MINN KOTA ACCESSORIES

We offer a wide variety of trolling motor accessories, including:

- 60-Amp Circuit Breaker
- Mounting Brackets
- Stabilizer Kits
- Extension Handles
- Battery Connectors
- Battery Boxes
- Quick Connect Plugs





# PÉDALE CÂBLÉE

**POUR POWERDRIVE™ ET RIPTIDE® POWERDRIVE™**

**Manuel du Propriétaire**

Compatible avec les moteurs PowerDrive, PowerDrive V2, Riptide PowerDrive et Riptide SP  
fabriqués en 2007 ou après

# CONSIGNES DE SÉCURITÉ

## ⚠️ AVERTISSEMENT

Vous seul êtes responsable de la navigation sécuritaire et prudente sur votre bateau. Nous avons conçu la pédale pour qu'elle soit un outil précis et fiable qui vous permettra d'améliorer l'utilisation de votre bateau et d'accroître votre capacité de pêcher des poissons. Ce produit ne vous exonère pas de la responsabilité de naviguer en toute sécurité avec votre bateau. Vous devez éviter les dangers liés à la navigation et toujours exercer une veille permanente afin de pouvoir réagir au fur et à mesure que les situations se présentent. Vous devez toujours être prêt à reprendre le contrôle manuel de votre bateau. Apprenez à utiliser votre pédale dans une zone exempte de dangers et d'obstacles.

## ⚠️ ATTENTION

Pour des raisons de sécurité, débranchez le moteur de la ou des batteries lorsque le moteur n'est pas utilisé ainsi que pendant la charge de la ou des batteries. Si le contrôle du moteur est laissé en marche et que la pédale est actionnée par inadvertance alors que la rotation de l'hélice est bloquée, cela peut endommager sérieusement le moteur.

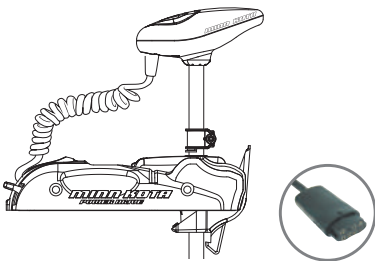
## ⚠️ AVERTISSEMENT


Pour éviter les blessures, utilisez de bonnes pratiques ergonomiques lorsque vous utilisez la pédale.

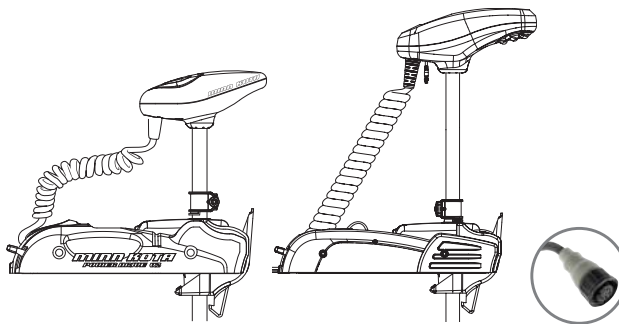
## COMPATIBILITÉ


### › Compatible avec les moteurs PowerDrive, PowerDrive V2, Riptide PowerDrive et Riptide SP fabriqués en 2007 ou après

Confirmez que votre moteur a une fiche de pédale ronde et grise (non rectangulaire) afin d'assurer la compatibilité. Veuillez noter que la pédale PowerDrive n'est pas compatible avec les moteurs installés avec i-Pilot ou i-Pilot Link.



 **PowerDrive plus anciens**  
qui ont une fiche noire  
et rectangulaire



 **PowerDrive V2 ou PowerDrive**  
**fabriqués en 2007 ou après**  
qui ont une fiche de pédale ronde  
et grise

# INSTALLATION

## INSTALLATION DE LA PÉDALE POWERDRIVE ET RIPTIDE POWERDRIVE

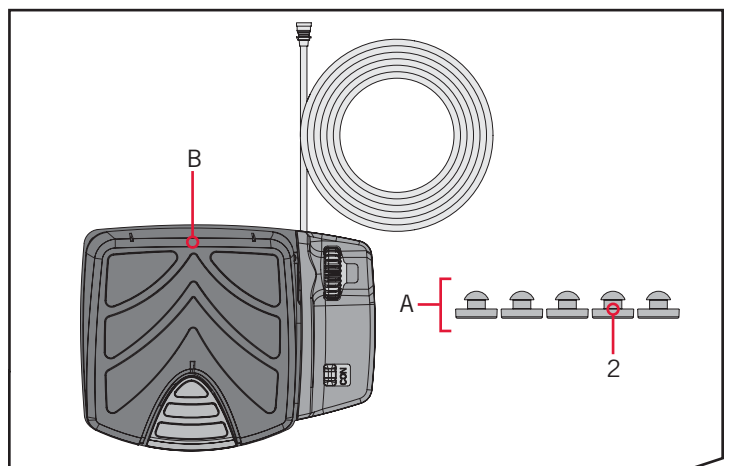
Votre nouvelle pédale PowerDrive est livrée avec tout le nécessaire pour l'installer directement sur votre propulseur électrique. Ces instructions visent à montrer comment installer votre nouvelle pédale PowerDrive sur un propulseur électrique PowerDrive. Avant de commencer, veuillez examiner la liste des pièces nécessaires à l'installation et les facteurs de montage. Pour davantage de soutien pour les produits, veuillez visiter [minnkotamotors.com](http://minnkotamotors.com).

### LISTE DE PIÈCES D'INSTALLATION >

Article/ Assemblage	N° de Pièce	Description	Qté.
A	2994859	BAG ASY-TERROVA/V2,RUB.BUMPERS	1
B	2994728	FOOT PEDAL ASSEMBLY, PD	1
▲	2377167	MANUAL-FT PEDAL, POWERDRIVE V3	1
2	2325110	PAD, FOOT PEDAL PD	5

▲ N'est pas montrée sur le schéma des pièces.

**AVIS :** La pédale PowerDrive n'est pas compatible avec les moteurs installés avec i-Pilot ou i-Pilot Link.



### FACTEURS DE MONTAGE >

Avant d'installer votre pédale PowerDrive, confirmez qu'elle est bien compatible avec votre moteur. Pour confirmer la compatibilité, reportez-vous à la section Compatibilité de ce manuel. En installant la pédale PowerDrive sur votre bateau, sélectionnez un emplacement qui ne gêne pas l'utilisation du bateau et qui convient à l'utilisation du propulseur électrique. Placez la pédale PowerDrive dans un compartiment dédié approprié si votre bateau en est équipé, ou à tout autre emplacement à l'abri de l'eau et des débris.

# INSTALLATION

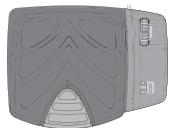
## INSTALLATION >

### > Installation de la Pédale PowerDrive et Riptide PowerDrive

1

#### ARTICLE(S) REQUIS

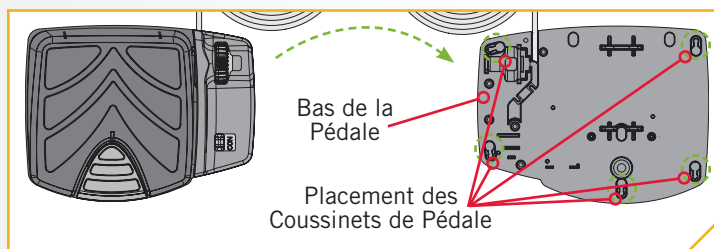
#2 x 5



#B x 1

- Prenez la pédale (article n° B) et retournez-la. Placez un coussinet de pédale (article n° 2) dans chacun des emplacements de coussinet.

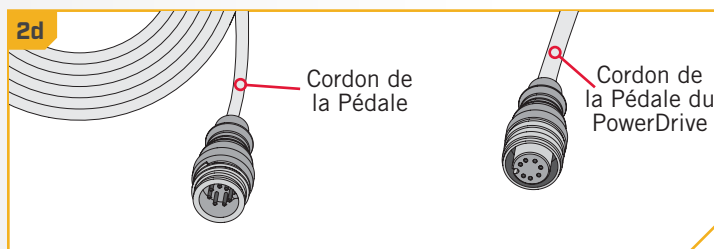
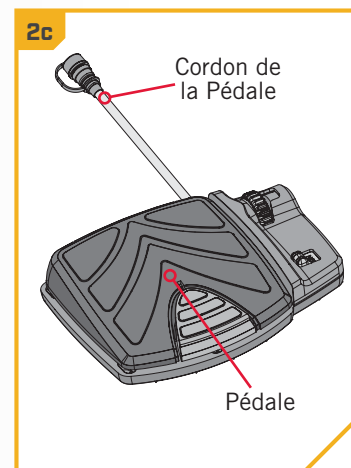
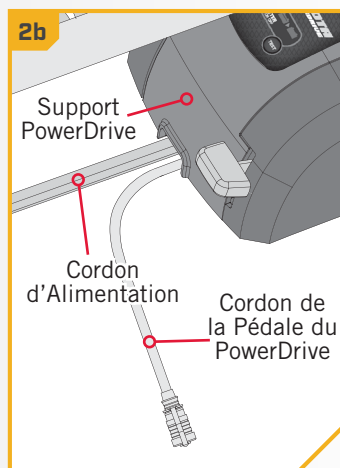
**AVIS :** l'ajout des coussinets est facultatif. Les coussinets sont recommandés lors de l'utilisation de la pédale sur des surfaces n'étant pas couvertes de tapis.



2

- Localisez le cordon de la pédale qui sort du support sur le PowerDrive, à côté du cordon d'alimentation.
- Dévissez le bouchon à l'extrémité du cordon de la pédale qui sort du moteur et du cordon sur la pédale.
- Branchez correctement les cordons l'un à l'autre. Veillez à bien serrer l'écrou de retenue du connecteur.

**AVIS :** Les connecteurs sont codés pour empêcher une installation en sens inverse.

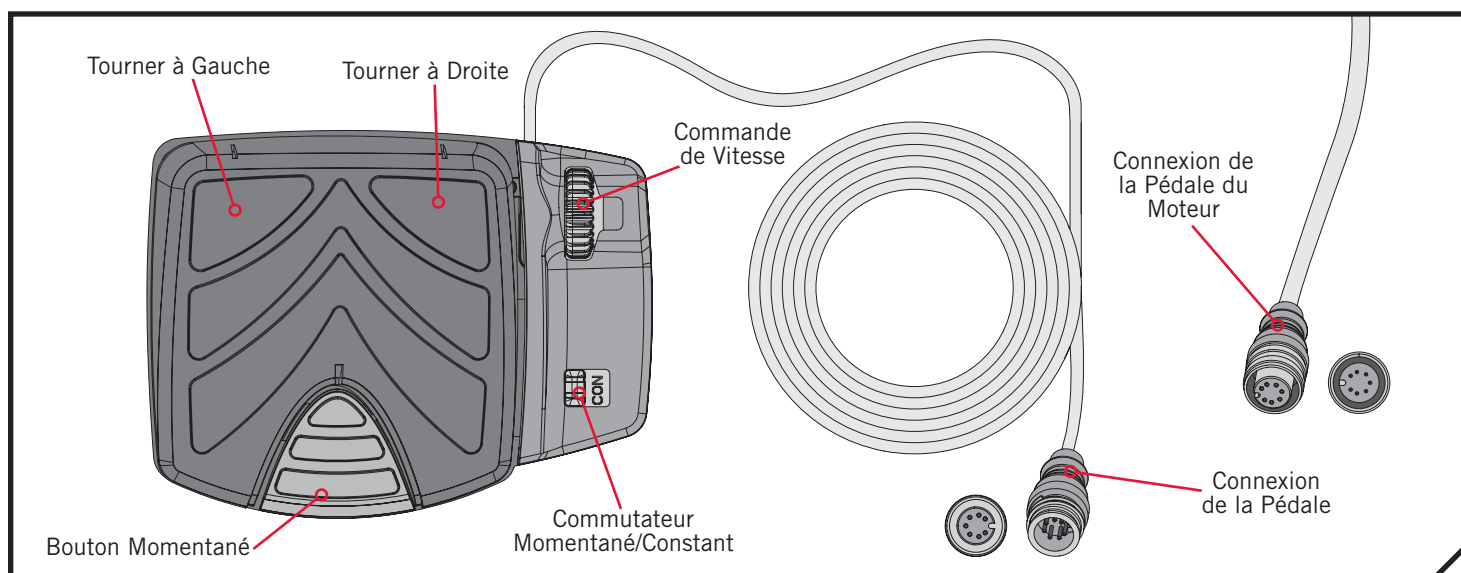




# UTILISATION DE LA PÉDALE

## CONTRÔLE DE LA VITESSE ET DE LA DIRECTION AVEC LA PÉDALE

La pédale sert à opérer le moteur, et les contrôles sur la pédale sont faciles à faire fonctionner avec la main ou le pied. Le moteur peut aussi être contrôlé par une télécommande de système i-Pilot, ou une télécommande Minn Kota compatible si un récepteur i-Pilot ou CoPilot compatible approprié est installé. Veuillez consulter le manuel du système i-Pilot ou de la télécommande compatible pour savoir comment la télécommande commande le moteur. Pour en apprendre davantage sur les accessoires compatibles avec le PowerDrive, veuillez visiter [minnkotamotors.com](http://minnkotamotors.com).



### › Bouton Momentané

Le bouton Momentané est situé à l'extrémité talon de la pédale et sert à activer l'hélice.

### › Commutateur Momentané/Constant

Le commutateur Momentané/constant sert à passer entre les modes Momentané et Constant. En mode Momentané (MOM), l'hélice tourne uniquement lorsqu'on appuie sur le bouton Momentané. En mode Constant (CON), l'hélice fonctionne continuellement, qu'on appuie sur le bouton Momentané ou non.

Si une hélice rencontre une obstruction en mode en rappel ou constante, alors qu'elle tourne, l'augmentation de la demande de courant électrique générée par l'obstruction signalera au moteur de réduire la puissance à l'hélice pour prévenir les dommages. Si la surcharge courante est détectée pendant plus de 20 secondes, l'hélice sera désactivée pour prévenir un dommage au moteur. Dans ce cas, l'opérateur peut remettre l'hélice en marche après avoir dégagé l'obstruction.

### › Commande de Vitesse

La molette de commande de vitesse se trouve sur le côté droit supérieur de l'extrémité orteil de la pédale. Tournez la molette de commande de vitesse vers l'avant pour augmenter la vitesse et vers l'arrière pour la diminuer. Vous pouvez également ajuster la vitesse à l'aide de la télécommande, le cas échéant.

## ⚠ ATTENTION

Le système du gouvernail est conçu pour faire pivoter le moteur à 360°. Veillez à ne pas trop enrouler le câble enroulé autour de l'arbre en composite. Le cordon enroulé peut être endommagé s'il est trop enroulé, ce qui empêchera le moteur de fonctionner correctement.

# UTILISATION DE LA PÉDALE

## › Tourner à Droite et Tourner à Gauche

Le bouton principal sur la pédale sert à commander le gouvernail. Tournez à droite en appuyant sur le côté droit du bouton et tournez à gauche en appuyant sur le côté gauche du bouton. La position et la direction de la tête du gouvernail correspondent directement à la position du moteur. Vous devez garder votre pied sur la pédale pour contrôler la direction du bateau pendant le fonctionnement manuel. Vous pouvez également commander la direction du moteur avec la télécommande si celui-ci est équipé du receveur approprié.

## › Marche Arrière

L'hélice tourne toujours dans la direction avant. Vous pouvez inverser la direction de la propulsion en tournant le moteur à 180°.

**AVIS :** Le moteur n'appliquera pas de correction automatique pour maintenir un déplacement en ligne droite.

### **AVERTISSEMENT**

Vous seul êtes responsable de la navigation sécuritaire et prudente sur votre bateau. Nous avons conçu le PowerDrive pour qu'il soit un outil précis et fiable qui vous permettra d'améliorer l'utilisation de votre bateau et les résultats de votre pêche. Ce produit ne vous exonère pas de la responsabilité de naviguer en toute sécurité avec votre bateau. Vous devez éviter les dangers liés à la navigation et toujours exercer une veille permanente afin de pouvoir réagir au fur et à mesure que les situations se présentent. Vous devez toujours être prêt à reprendre le contrôle manuel de votre bateau. Apprenez à utiliser votre PowerDrive dans une zone exempte de dangers et d'obstacles.

### **ATTENTION**

Pour des raisons de sécurité, débranchez le moteur de la ou des batteries lorsque le moteur n'est pas utilisé ainsi que pendant la charge de la ou des batteries. Si le contrôle du moteur est laissé en marche et que la rotation de l'hélice est bloquée, cela peut endommager sérieusement le moteur.

### **AVERTISSEMENT**

Pour éviter les blessures, utilisez de bonnes pratiques ergonomiques lorsque vous utilisez la pédale.

# DÉCLARATIONS DE CONFORMITÉ

## DÉCLARATION DE CONFORMITÉ ENVIRONNEMENTALE

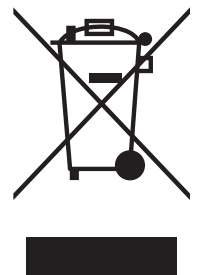
Il est dans l'intention de JOME d'être une entreprise citoyenne responsable, dont l'exploitation est conforme à la réglementation environnementale en vigueur et qui est connue pour être un bon voisin dans les collectivités où nous fabriquons ou vendons nos produits.

### DIRECTIVE DEEE

La directive européenne 2002/96/CE « Directive concernant les déchets d'équipements électriques et électroniques (DEEE) » a un impact sur la plupart des distributeurs, vendeurs et fabricants d'électronique pour le grand public au sein de l'Union européenne. La directive DEEE exige que le producteur d'électronique pour le grand public prenne une part de responsabilité, en ce qui concerne la gestion des déchets de leurs produits, afin d'atteindre une élimination écologique, et ce, tout au long du cycle de vie du produit.

Il se peut que, selon votre emplacement, vous ne soyez pas tenu (e) de vous conformer à la directive DEEE pour ce qui est des équipements électriques et électroniques (EEE), et il se peut qu'il en soit de même pour les EEE conçus et destinés à être utilisés comme installations fixes ou temporaires dans les véhicules de transport tels que les voitures, les avions et les bateaux. Dans certains États de l'Union européenne, ces véhicules sont réputés ne pas relever de la directive, et les EEE, pour ces applications peuvent être considérés comme exclus de l'exigence de la directive DEEE.

Ce symbole (DEEE poubelle sur roues) sur le produit indique que ce dernier ne doit pas être jeté avec les déchets domestiques. Il doit être éliminé et collecté pour le recyclage et la récupération des DEEE. Johnson Outdoors Inc. marquera tous les produits EEE en conformité avec la directive DEEE. C'est notre but de nous conformer à la collecte, au traitement, à la récupération et à l'élimination écologique judicieuse de ces produits, mais ces exigences varient au sein des différents États membres de l'Union européenne. Pour de l'information supplémentaire sur l'endroit où vous pouvez éliminer les équipements usagés pour leur recyclage et leur récupération et/ou selon les exigences particulières de l'État membre de l'Union européenne, veuillez communiquer avec le détaillant ou le distributeur duquel vous avez acheté le produit.



### ÉLIMINATION

Les moteurs Minn Kota ne sont pas soumis à la réglementation concernant l'élimination VGE-VO (directive pour les dispositifs électriques), qui transpose la directive DEEE. Néanmoins, ne jamais jeter le moteur Minn Kota dans une poubelle, mais plutôt à l'endroit approprié où s'effectue la collecte, recommandé par le conseil municipal local.

Ne jamais jeter aucune batterie à la poubelle. Se conformer aux directives d'élimination du fabricant ou de son représentant et la jeter à l'endroit approprié où s'effectue la collecte, recommandé par le conseil municipal local.

# DÉCLARATIONS DE CONFORMITÉ



## CONFORMITÉ FCC

Cet appareil est conforme à la section 15 des règles de la FCC. **Son fonctionnement est soumis aux deux conditions suivantes :**

1. Ce dispositif ne doit pas causer d'interférences nuisibles.
2. Cet appareil doit accepter toute interférence qui peut être reçue, y compris les interférences susceptibles de perturber son fonctionnement.

Les changements ou modifications non expressément approuvés par Johnson Outdoors Marine Electronics, Inc. peuvent annuler le droit d'utilisation de cet équipement accordé à l'utilisateur.

**AVIS :** Cet équipement a été testé et s'est avéré conforme aux limites pour un appareil numérique de classe B, conformément à la section 15 des règles de la FCC. Ces limites sont conçues pour fournir une protection raisonnable contre les interférences nuisibles dans une installation résidentielle. Cet équipement génère, utilise et peut émettre des fréquences radio et, s'il n'est pas installé et utilisé conformément aux instructions, peut causer des interférences nuisibles pour les communications radio. Il n'existe cependant aucune garantie que des interférences ne se produiront pas dans une installation donnée. **Si cet équipement provoque des interférences nuisibles à la réception radio ou télévision, ce qui peut être déterminé en l'éteignant et en le rallumant, l'utilisateur est encouragé à essayer de corriger l'interférence par une ou plusieurs des mesures suivantes :**

- Réorienter ou déplacer l'antenne de réception.
- Augmenter la distance entre l'équipement et le récepteur.
- Connecter l'équipement à une sortie sur un circuit différent de celui sur lequel est branché le récepteur.
- Consulter le revendeur ou un technicien radio/TV expérimenté.

## CONFORMITÉ AUX NORMES D'INDUSTRIE CANADA

Ce produit est conforme aux spécifications techniques applicables d'Industrie Canada. Son fonctionnement est soumis aux deux conditions suivantes: (1) cet appareil ne peut causer d'interférences et (2) il doit tolérer toute interférence, même celle pouvant causer un fonctionnement indésirable de l'appareil.

Les changements ou les modifications non expressément approuvés par Johnson Outdoors Marine Electronics, Inc. peuvent annuler l'autorisation de l'utilisateur de faire fonctionner cet équipement.

## COTES ENVIRONNEMENTALES

- Température ambiante de fonctionnement : -10 à 50 °C
- Humidité ambiante de fonctionnement : 5 à 95 %
- Altitude maximale de fonctionnement : 10 000 pieds (3 048 mètres)

# SERVICE ET ENTRETIEN

## ENTRETIEN GÉNÉRAL

- Maintenez la pédale sèche et propre. Les débris qui pénètrent la pédale peuvent causer une interférence dans l'opération de la pédale. Il est recommandé d'utiliser de l'air comprimé pour nettoyer la pédale après chaque usage.

## DÉPANNAGE

**AVIS :** Pour tout autre défaut de fonctionnement, visitez un centre de service agréé. Vous pouvez trouver un centre de service agréé dans votre région en consultant la liste de nos centres de service agréés sur le site [www.minnkotamotors.com](http://www.minnkotamotors.com), ou en appelant notre service à la clientèle au 1 800 227-6433.

## POUR D'AUTRES SERVICES DE DÉPANNAGE ET DE RÉPARATION

Nous offrons plusieurs options de dépannage et/ou de réparation pour le produit. Veuillez parcourir les options énumérées ci-dessous.



### Acheter des pièces en ligne

Vous pouvez acheter des pièces en ligne directement à partir de notre site Web à [minnkotamotors.com](http://minnkotamotors.com). Les commandes confirmées avant midi (heure du Centre), et pour lesquelles l'option d'expédition le jour suivant a été sélectionnée, seront expédiées le jour même, si les articles sont en stock. Toutes les autres commandes seront expédiées dans les trois jours ouvrables, selon la méthode d'expédition sélectionnée et si la disponibilité des articles.



### Foire aux questions

Notre site Web met à votre disposition des FAQ visant à répondre à toutes vos questions au sujet des produits Minn Kota. Veuillez visiter le site Web [minnkotamotors.com](http://minnkotamotors.com), puis cliquer sur « Foire aux questions » pour trouver réponse à vos questions.



### Appelez-nous (pour les États-Unis et le Canada)

Nos représentants du service à la clientèle sont disponibles du lundi au vendredi, de 7 h à 16 h 30 (HNC), au 1 800 227-6433. Pour commander des pièces, veuillez avoir sous la main le numéro de série à 11 chiffres du produit, les numéros des pièces nécessaires et les renseignements relatifs à la carte de crédit. Vous économiserez ainsi du temps pour un service à la clientèle de qualité supérieure. Vous pouvez consulter la liste de votre manuel pour obtenir les numéros exacts de pièce.



### Envoyez-nous un courriel

Envoyez-nous un courriel pour transmettre à notre service à la clientèle vos questions au sujet des produits Minn Kota. Pour transmettre votre question par courriel, visitez [minnkotamotors.com](http://minnkotamotors.com), puis cliquez sur « Soutien ».



### Centres de service agréés

Minn Kota compte plus de 800 fournisseurs de service agréés aux États-Unis et au Canada pour acheter des pièces ou faire réparer vos produits. Veuillez consulter la page Centres de service agréés sur notre site Web pour trouver un fournisseur de service dans votre région.

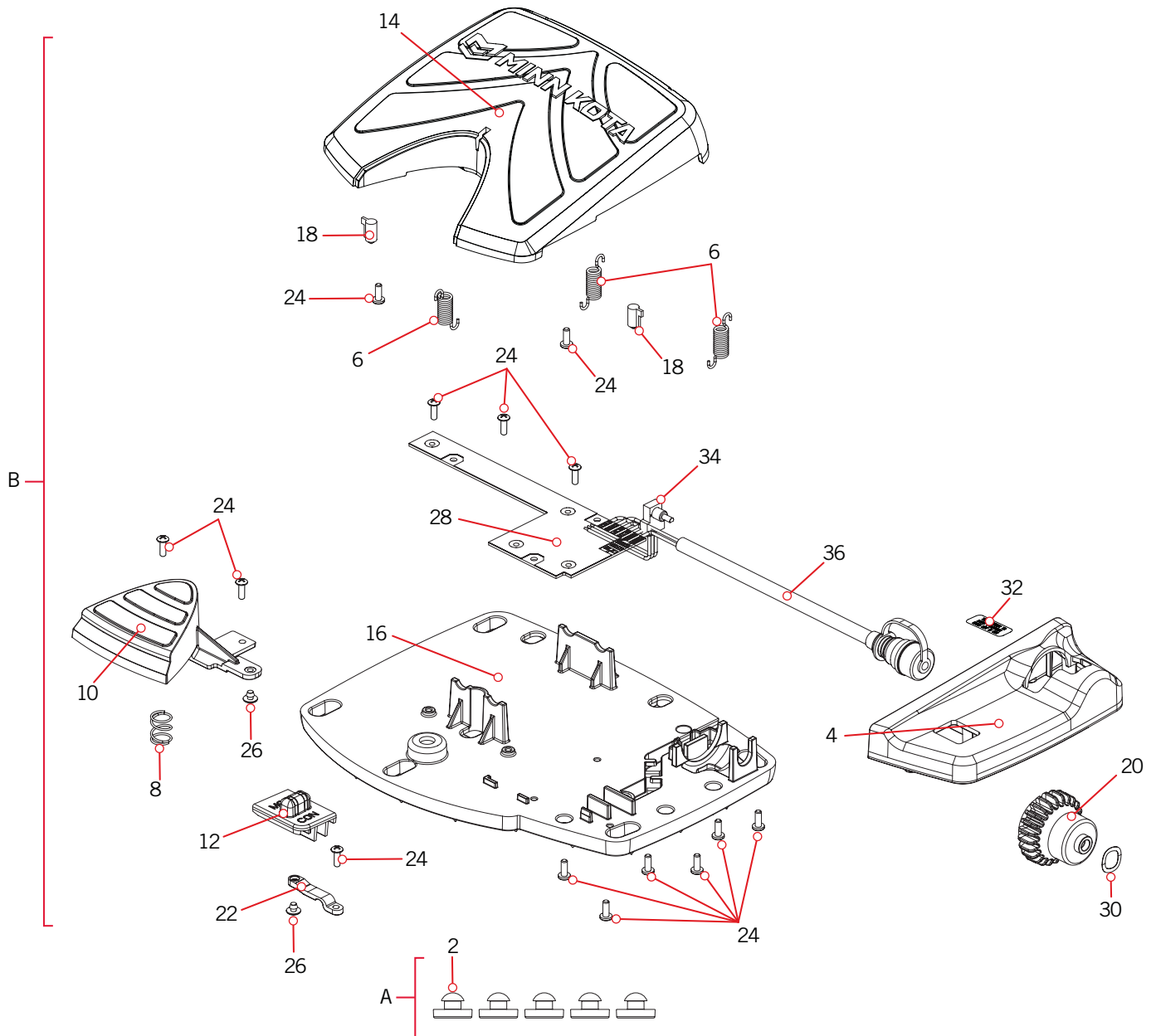


Balayez le code QR pour visiter le service en ligne Minn Kota.

# SCHÉMA DES PIÈCES ET LISTE DES PIÈCES

## PÉDALE POWERDRIVE ET RIPTIDE POWERDRIVE

### › Schéma des Pièces de la Pédale



## SCHÉMA DES PIÈCES ET LISTE DES PIÈCES

### » Liste des Pièces de la Pédale

Ensemble	N° de Pièce	Description	Quantité
A	2994859	BAG ASY-TERROVA/V2,RUB.BUMPERS	1
B	2994728	FOOT PEDAL ASM, POWERDRIVE	1
N° d'Article	N° de Pièce	Description	Quantité
▲	2377167	MANUAL-FT PEDAL, POWERDRIVE V3	1
2	2325110	PAD, FOOT PEDAL PD	5
4	2300275	COVER-SPEED SELECTOR,PD FP,BLK	1
6	2302730	SPRING-LONG-UPPER PEDAL [A118	3
8	2302732	SPRING-LOWER PEDAL S/S [A120	1
10	2303725	BUTTON-MOMENTARY, PD FP, BLK	1
12	2303730	BUTTON-MOM/CON, PD FP, BLK	1
14	2304406	PEDAL-FOOT, UPPER, POWERDRIVE	1
16	2304508	BASE, PEDAL PD	1
18	2305136	BUMPER,STRG RCKR,PD FP,RUBBER	2
20	2307905	WHEEL-SPEED, PD FP, BLK	1
22	2308609	SWITCH LEVER, SINGLE	1
24	2302105	SCREW-#6-19 X 3/8 HIGH-LOW SS	14
26	2335130	BUMBER ACTUATOR	2
28	✖	PCB ASSEMBLY, PD FOOT PEDAL	1
30	2301750	WASHER, WAVE, PD V3 FP	1
32	2316600	DECAL-ON/OFF SWITCH/PD V2 PED	1
34	✖	POT ASSY,TERROVA FT.PED	1
36	2320708	CONTROL CORD ASSY, 6-PIN	1

✖ Cette pièce est incluse dans un ensemble et ne peut pas être commandée individuellement.

▲ N'est pas montrée sur le schéma des pièces

# ACCESSOIRES RECOMMANDÉS

## CHARGEURS DE BATTERIE EMBARQUÉS ET PORTATIFS

Ne plus acheter de nouvelles batteries et commencer à prendre soin de celles déjà en votre possession. Plusieurs chargeurs peuvent en fait endommager les batteries à la longue, pouvant entraîner une autonomie réduite et une durée de vie plus courte. Les chargeurs Minn Kota à commande numérique assurent une charge rapide pour une protection et une durée de vie prolongée.



MK212PC



MK210D



MK110PD

## ANCRE POUR EAUX PEU PROFONDES TALON

Voici le tout nouveau Talon à nouvelle conception profilée. Talon est la seule ancre pour eaux peu profondes avec jusqu'à 15 pi (4,6 m) de profondeur d'ancrage, plusieurs modes d'ancrage et le contrôle à partir de la proue, du tableau arrière, de la console, de la télécommande ou d'un appareil mobile.



### ÉCLAIRAGE DE TRAVAIL INTÉGRÉ

Vous permet de fixer les lignes et de travailler à partir du tableau arrière à tout moment de la journée, ou de la nuit. Comprend des lumières DEL blanches et bleues avec trois intensités.



### JUSQU'À UNE PROFONDEUR DE 15 PI [4,6 M]

Contrôlez plus d'eau et attrapez plus de poissons avec la première ancre de 15 pi (4,6 m) pour eau peu profonde.



### CONNECTIVITÉ BLUETOOTH®

Vous permet de contrôler votre Talon à partir de votre appareil mobile, ainsi que le mettre à jour facilement. Elle ouvre aussi la communication à d'autres options de contrôle.



### D'AUTRES OPTIONS DE COMMANDE

- Panneau de commande
- Télécommande sans fil
- Application mobile
- Pédale sans fil
- Connectivité Humminbird<sup>MD</sup>
- Télécommande i-Pilot<sup>®</sup> et i-Pilot Link



## ACCESSOIRES MINN KOTA

Nous offrons un large éventail d'accessoires pour les propulseurs électriques, y compris:

- Un Disjoncteur de 60 A
- Des Supports de Montage
- Des Ensembles Stabilisateur
- Des Rallonges de Poignée
- Des connecteurs de batterie
- Bacs à Batterie
- Des fiches de connexion rapide

